



US00D722527S

(12) **United States Design Patent**  
**Rivard et al.**

(10) **Patent No.:** **US D722,527 S**

(45) **Date of Patent:** **\*\* Feb. 17, 2015**

(54) **PLANT AND VEGETABLE TROUGH WITH  
CROSSED SUPPORTS**

(71) Applicants: **Lisa Rivard**, Cedar, MN (US); **Michael Rivard**, Cedar, MN (US)

(72) Inventors: **Lisa Rivard**, Cedar, MN (US); **Michael Rivard**, Cedar, MN (US)

(\*\*) Term: **14 Years**

(21) Appl. No.: **29/469,754**

(22) Filed: **Oct. 14, 2013**

(51) **LOC (10) Cl.** ..... **11-02**

(52) **U.S. Cl.**

USPC ..... **D11/156**

(58) **Field of Classification Search**

USPC ..... D6/300, 306, 403–405, 556–558;  
D7/300, 500, 509; D8/1;  
D11/143–156, 164; D25/100;  
D26/9–11, 16, 19; D34/1, 2, 4–6;  
D99/5, 19; 47/17, 32.4, 32.5, 32.7, 33,  
47/39, 41.01, 41.1, 41.11–41.15, 44–46,  
47/62, 63, 65.5, 65.9, 66.1, 66.2, 66.6,  
47/66.7, 67–71

See application file for complete search history.

(56) **References Cited**

**U.S. PATENT DOCUMENTS**

D271,954 S *	12/1983	Neil	.....	D11/156
D271,955 S *	12/1983	Neil	.....	D11/156
D279,038 S *	5/1985	Thompson, Jr.	.....	D32/37
D341,687 S *	11/1993	Park	.....	D34/5
D642,401 S *	8/2011	Lien et al.	.....	D6/403
D643,647 S *	8/2011	Owen et al.	.....	D6/403
D655,220 S *	3/2012	Rossi	.....	D11/145
D655,221 S *	3/2012	Adams	.....	D11/155
D676,355 S *	2/2013	Williamsen	.....	D11/156
D685,953 S *	7/2013	Steffanson	.....	D30/131
D703,012 S *	4/2014	Yen	.....	D8/1

**OTHER PUBLICATIONS**

Garden Wedge Trough Planter dated 2014. found online [May 27, 2014] <http://raisedbeds.com/garden-wedge/>.  
“Exhibit B: Raised Garden Table—Sam’s Club”, Case 7:11-cv-07445-KMK. Document 1-2, (Filed Oct. 21, 2011), 4 pgs.  
“Exhibit B: Wood Country Cedar Wood Vegetable Raised Planter Box”, Case 7:12-cv-06192-VB. Document 5-2, (Filed Aug. 17, 2012), 7 pgs.  
“Exhibit C: Order Confirmation for Sam’s Club”, Case 7:11-cv-07445-KMK. Document 1-3, (Filed Oct. 21, 2011), 3 pgs.  
“Exhibit C: Order Receipt Wood Country Cedar Wood Vegetable Raised Planter Box”, Case 7:12-cv-06192-VB. Document 5-3, (Filed Aug. 17, 2012), 3 pgs.  
“Exhibit D: Hayneedle.com Order Status Update for Raised Vegetable Garden Bin—Unstained”, Case 7:12-cv-06192-VB. Document 5-4, (Filed Aug. 17, 2012), 3 pgs.  
“Exhibit D: Sam’s Club Packing Slip and Photo”, Case 7:11-cv-07445-KMK. Document 1-4, (Filed Oct. 21, 2011), 4 pgs.  
“Exhibit E: Assembly Instructions for Wood Country Raised Vegetable Garden Bin”, Case 7:12-cv-06192-VB. Document 5-5, (Filed Aug. 17, 2012), 3 pgs.

(Continued)

*Primary Examiner* — Robert M Spear

*Assistant Examiner* — Marissa Cash

(74) *Attorney, Agent, or Firm* — Schwegman Lundberg & Woessner, P.A.

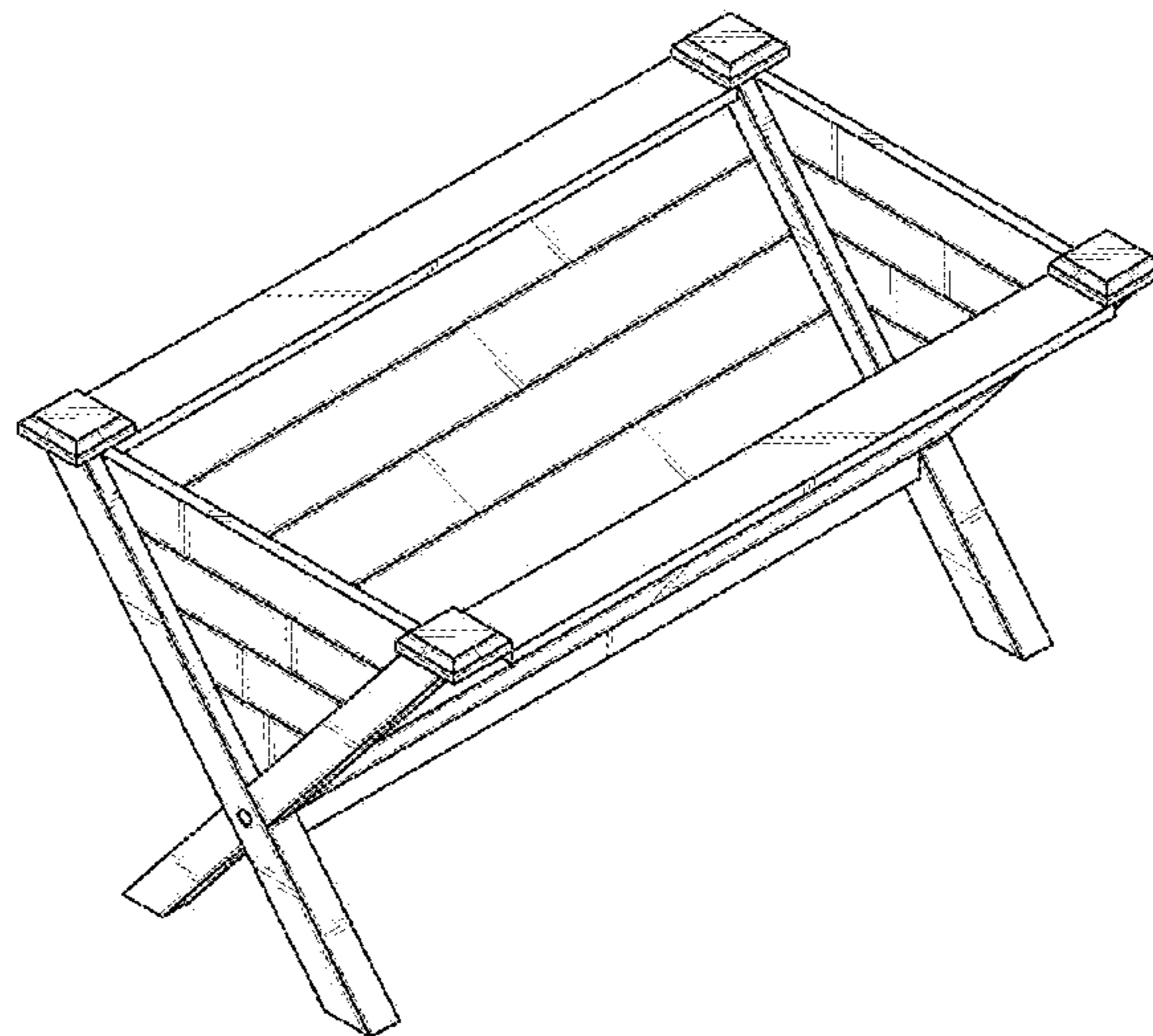
(57) **CLAIM**

The ornamental design for a plant and vegetable trough with crossed supports, as shown and described.

**DESCRIPTION**

FIG. 1 is a perspective view of a plant and vegetable trough with crossed supports, showing our new design;  
FIG. 2 is a right side elevation view thereof;  
FIG. 3 is a left side elevation view thereof;  
FIG. 4 is a front elevation view thereof;  
FIG. 5 is a rear elevation view thereof;  
FIG. 6 is a top plan view thereof; and,  
FIG. 7 is a bottom plan view thereof.

**1 Claim, 4 Drawing Sheets**



(56)

**References Cited**

OTHER PUBLICATIONS

“Exhibit E: Diagrams”, Case 7:11-cv-07445-KMK. Document 1-5, (Filed Oct. 21, 2011), 2 pgs.

“Exhibit F: Diagrams and Photo”, Case 7:11-cv-07445-KMK. Document 1-6, (Filed Oct. 21, 2011), 3 pgs.

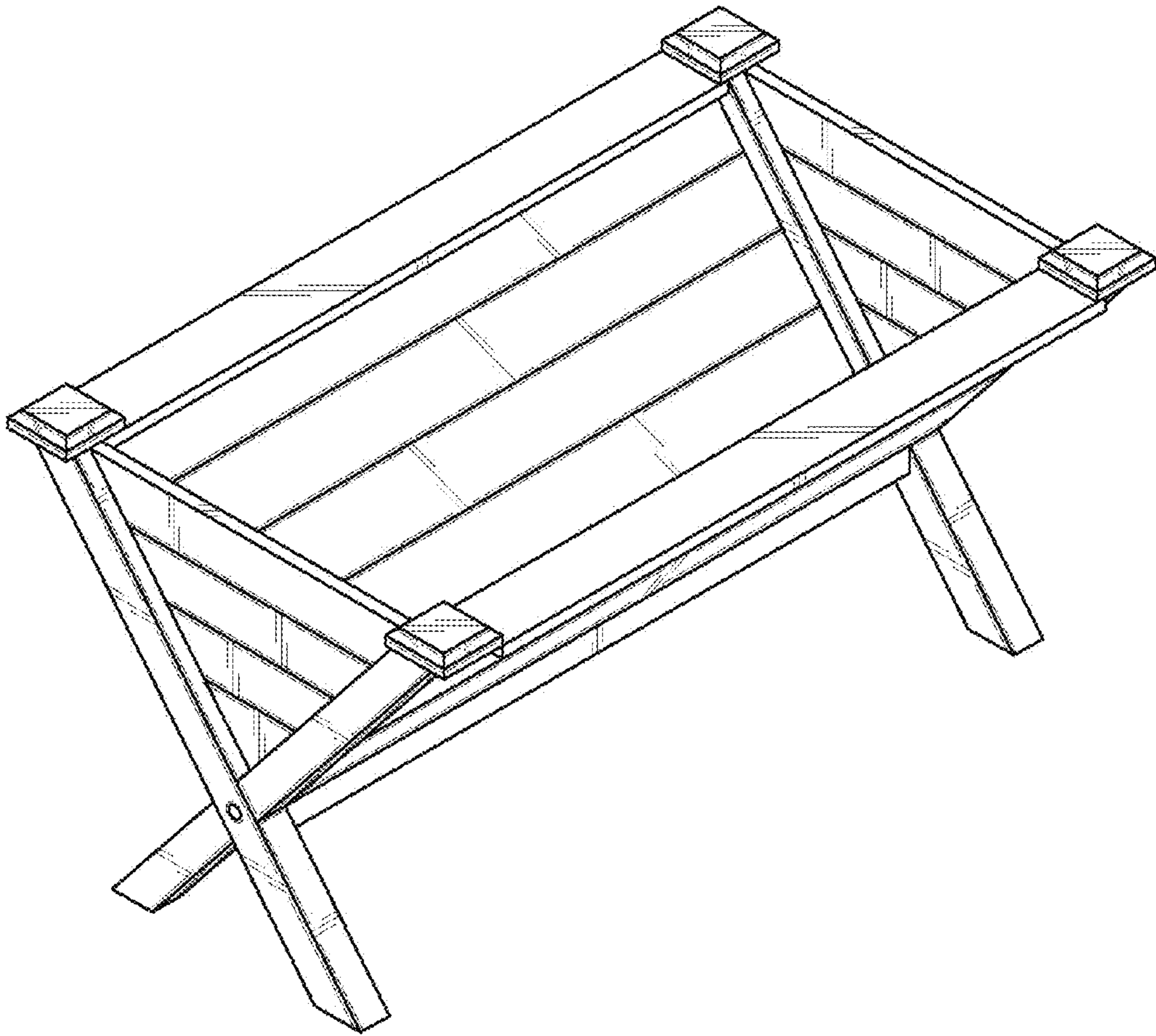
“Exhibit F: Diagrams and Photos”, Case 7:12-cv-06192-VB. Document 5-6, (Filed Aug. 17, 2012), 3 pgs.

“Exhibit G: Photos”, Case 7:11-cv-07445-KMK. Document 1-7, (Filed Oct. 21, 2011), 2 pgs.

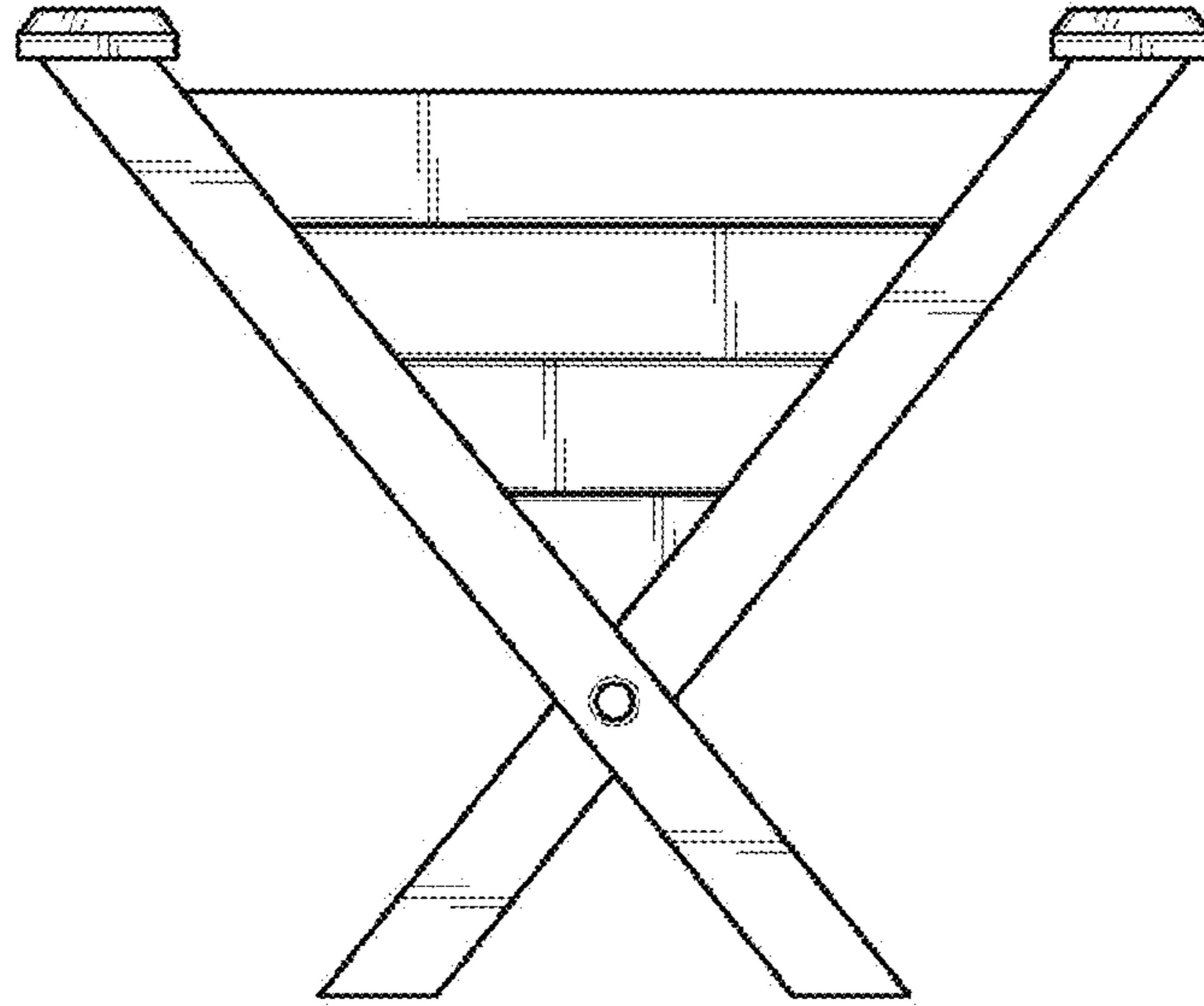
“Exhibit H: Master Gardner Vegetable & Herb Garden Table”, Case 7:11-cv-07445-KMK. Document 1-8, (Filed Oct. 21, 2011), 3 pgs.

“First Amended Complaint”, Case 7:12-cv-06192-VB. Document 5, *Vegtrug USA, LLC v T&L Cedar Lawn Furniture Inc. d/b/a Woodcountry.com and Hayneedle inc. d/b/a Simplyplanters.com.*, (Filed Aug. 17, 2012), 8 pgs.

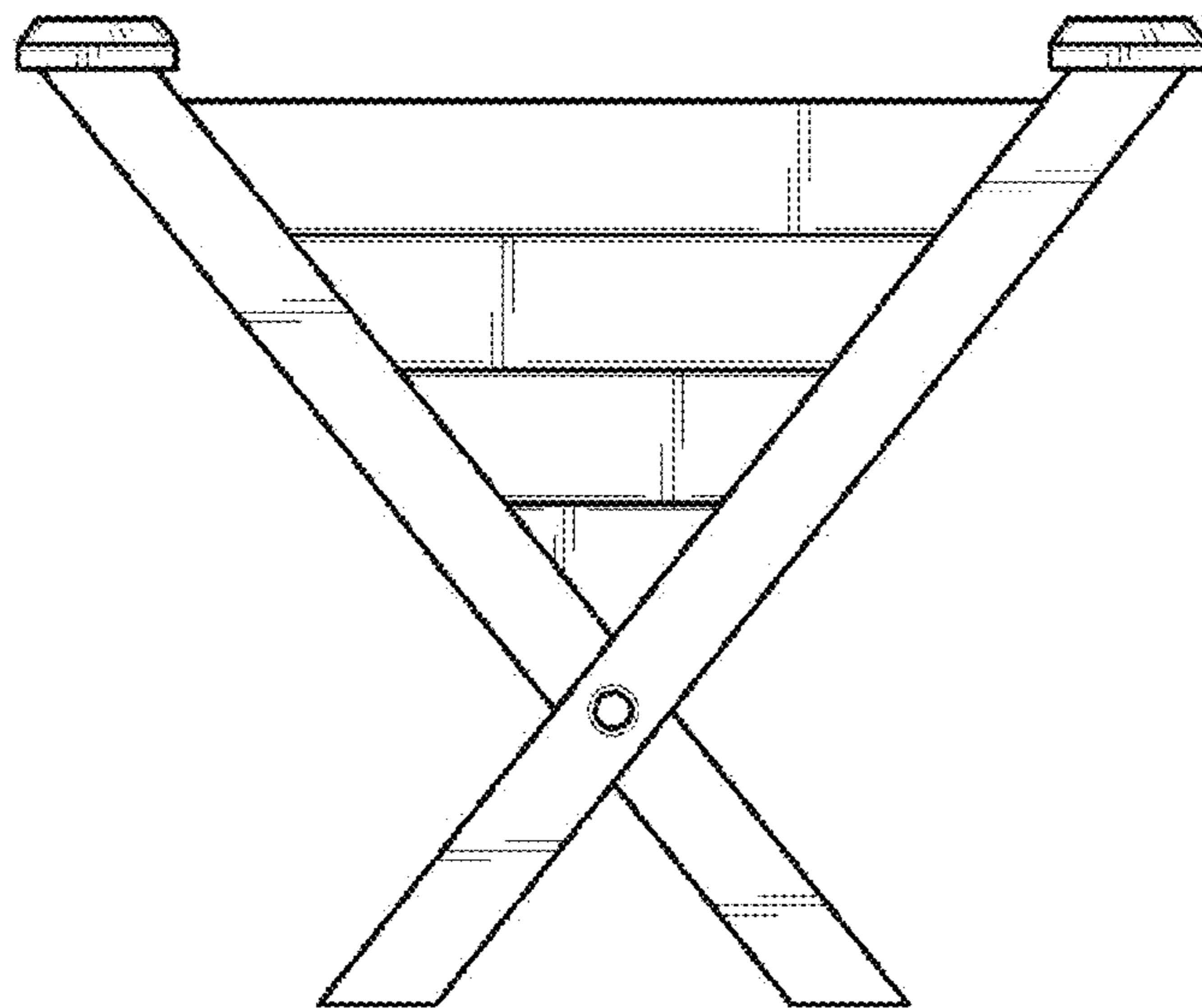
\* cited by examiner



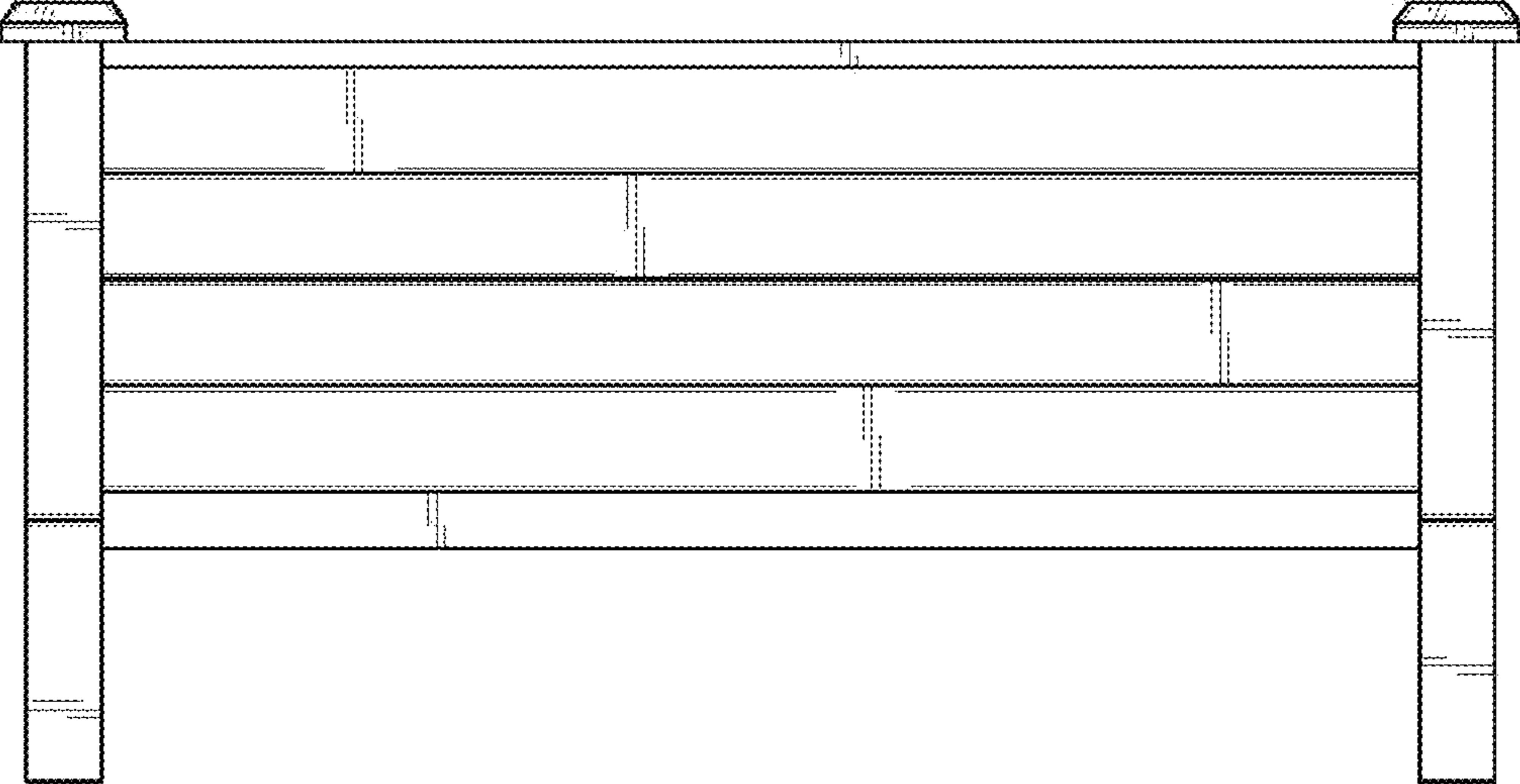
*FIG. 1*



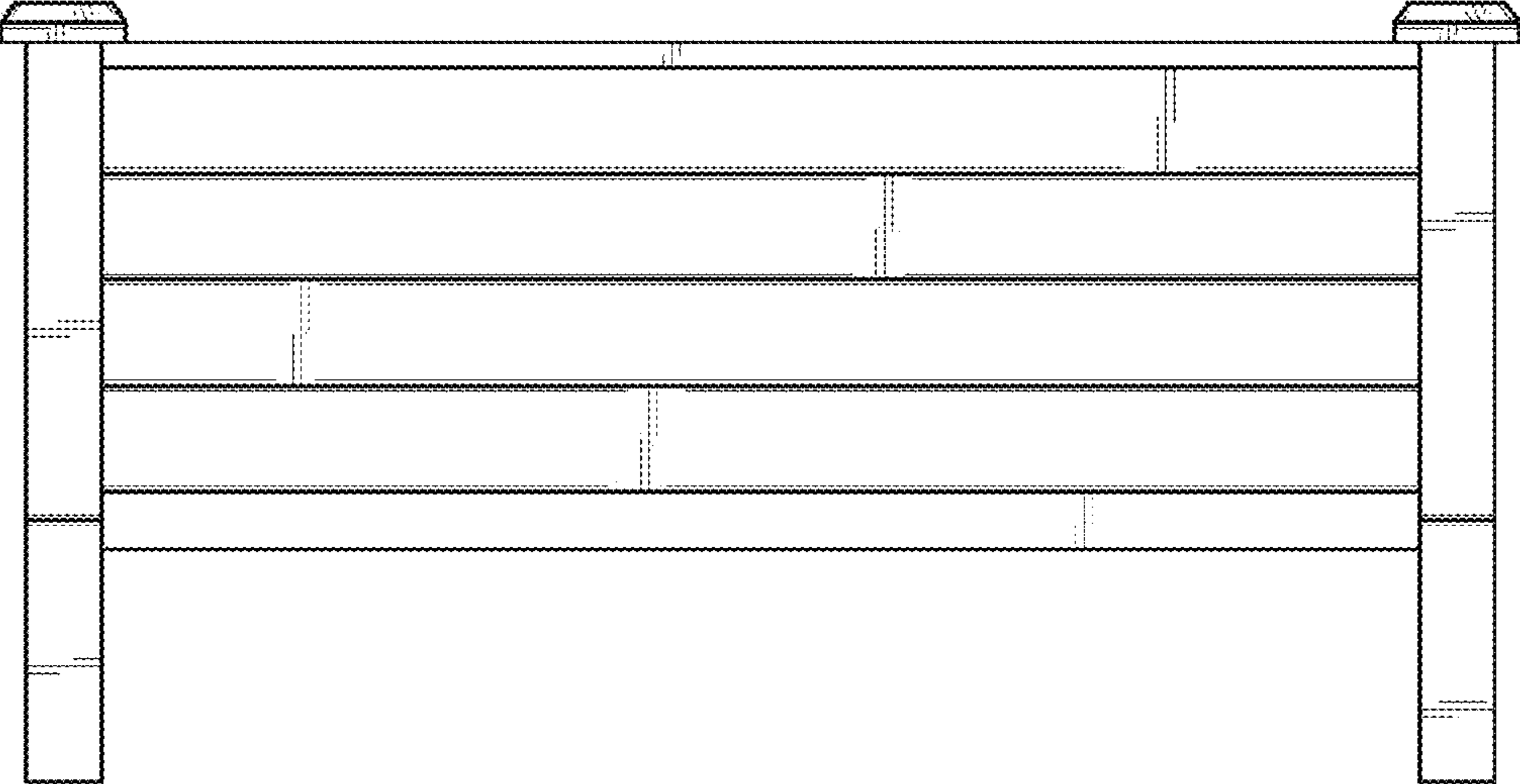
*FIG. 2*



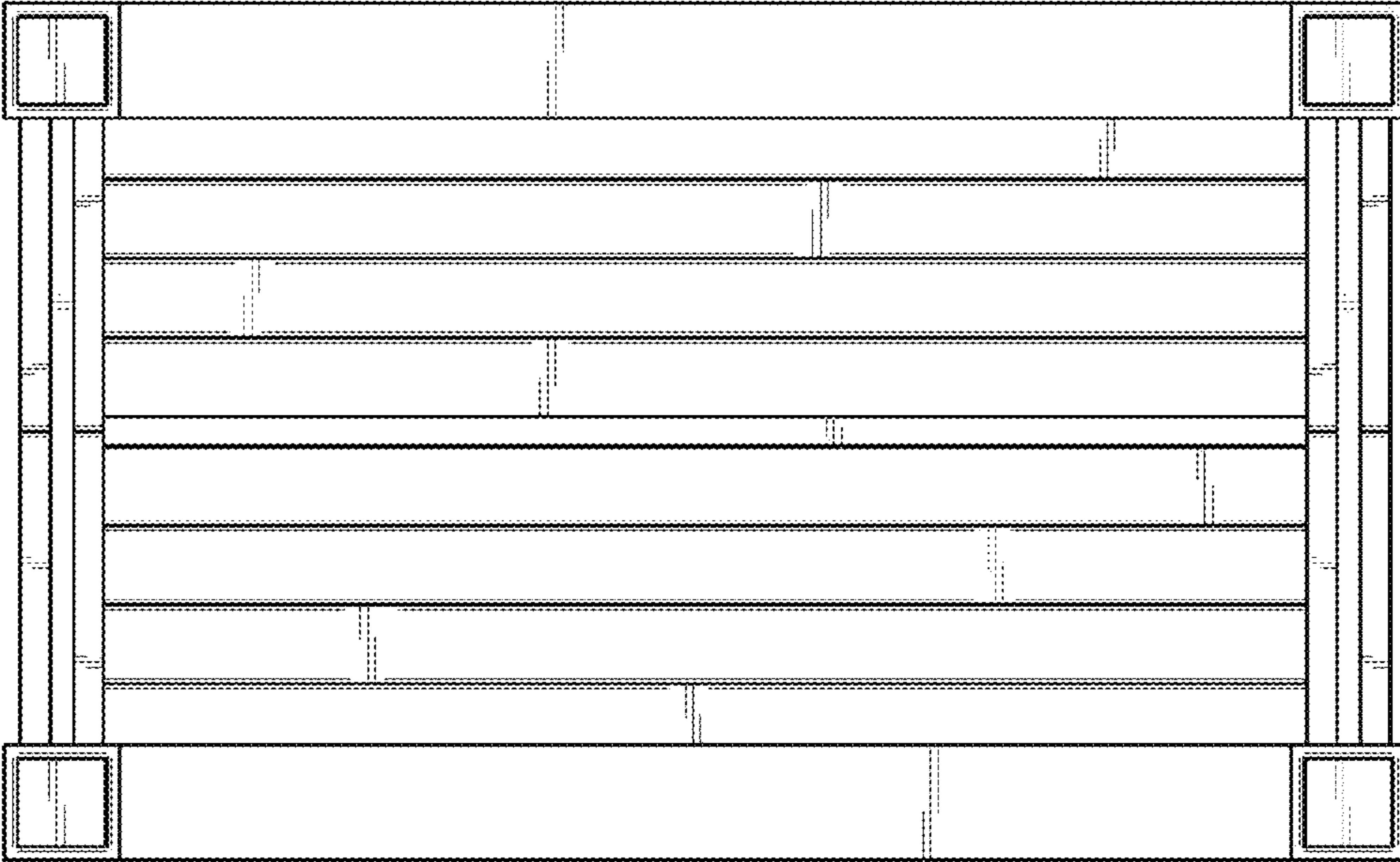
*FIG. 3*



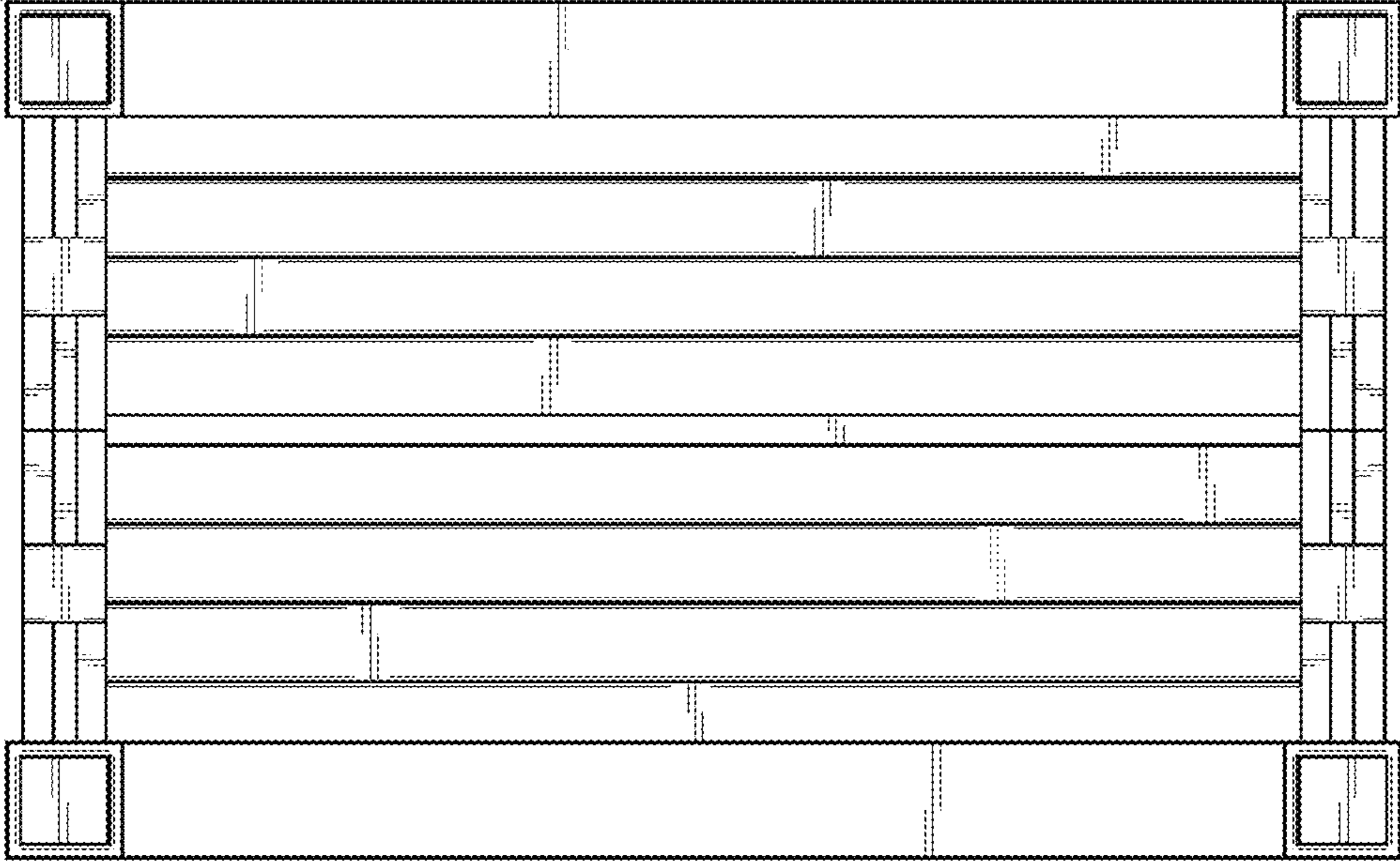
*FIG. 4*



*FIG. 5*



*FIG. 6*



*FIG. 7*