



US00D722526S

(12) **United States Design Patent**
Forester

(10) **Patent No.:** **US D722,526 S**
(45) **Date of Patent:** **** Feb. 17, 2015**

- (54) **NURSERY POT**
- (71) Applicant: **John Forester**, Carlsbad, CA (US)
- (72) Inventor: **John Forester**, Carlsbad, CA (US)
- (**) Term: **14 Years**
- (21) Appl. No.: **29/480,796**
- (22) Filed: **Jan. 29, 2014**
- (51) **LOC (10) Cl.** **11-02**
- (52) **U.S. Cl.**
USPC **D11/155**
- (58) **Field of Classification Search**
CPC A01G 9/02; A01G 9/022; A01G 9/04;
A01G 9/042; A01G 9/045; A01G 9/10;
A47G 7/045; A47G 7/047
USPC D6/403, 404, 405; D11/143-156, 164;
D26/55; 47/17, 39, 41.01, 65.5, 65.7,
47/65.9, 66.6, 66.7
See application file for complete search history.

- D394,827 S * 6/1998 Ruthenberg D11/155
- D480,326 S * 10/2003 Carlson D11/155
- D488,401 S * 4/2004 Gutierrez D11/155
- D542,098 S * 5/2007 Wasserman et al. D7/584
- D543,327 S * 5/2007 Snell D34/1
- D544,813 S * 6/2007 Schmidt D11/152
- D596,074 S * 7/2009 Bodum D11/155
- D631,700 S * 2/2011 Flick D7/523
- D649,085 S * 11/2011 Tremblay et al. D11/155
- D659,586 S * 5/2012 Brandstatter D11/155
- D665,300 S * 8/2012 Pedersen et al. D11/155
- D667,151 S * 9/2012 Arslanian D26/9
- 2011/0203175 A1* 8/2011 Horito et al. 47/65.6

* cited by examiner

Primary Examiner — Elizabeth Albert

(74) *Attorney, Agent, or Firm* — Jonathan A. Kidney;
TechLaw, LLP

(57) **CLAIM**

The ornamental design for a nursery pot, as shown and described.

DESCRIPTION

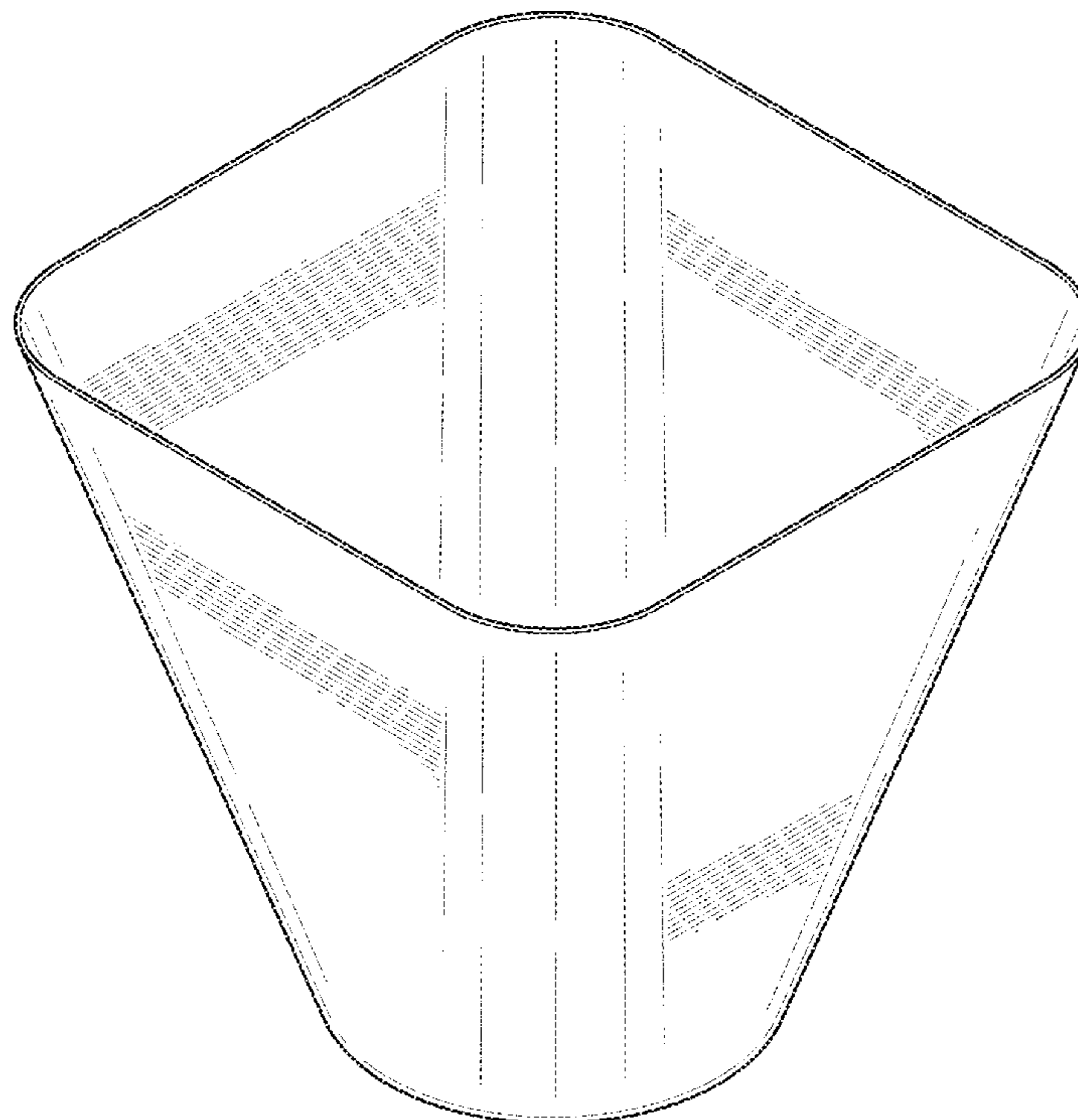
FIG. 1 is a perspective top view of a nursery pot showing my new design;
 FIG. 2 is a side elevation view thereof;
 FIG. 3 is a top plan view thereof;
 FIG. 4 is a bottom plan view thereof; and,
 FIG. 5 is a perspective bottom view thereof.
 The broken lines showing feet and drainage holes in FIGS. 2-5 are included for the purpose of showing features that form no part of the claimed design.

1 Claim, 5 Drawing Sheets

(56) **References Cited**

U.S. PATENT DOCUMENTS

- 1,205,028 A * 11/1916 Rudolph 47/66.1
- 2,486,932 A * 11/1949 Elliott 47/41.13
- 2,792,142 A * 5/1957 Sandkuhle 217/12 R
- 3,104,498 A * 9/1963 Miller 47/65.7
- D218,341 S * 8/1970 Glanotti D11/147
- D267,215 S * 12/1982 Peterson D11/144
- 4,457,104 A * 7/1984 Hefner 47/73
- D351,790 S * 10/1994 Haindl D9/425



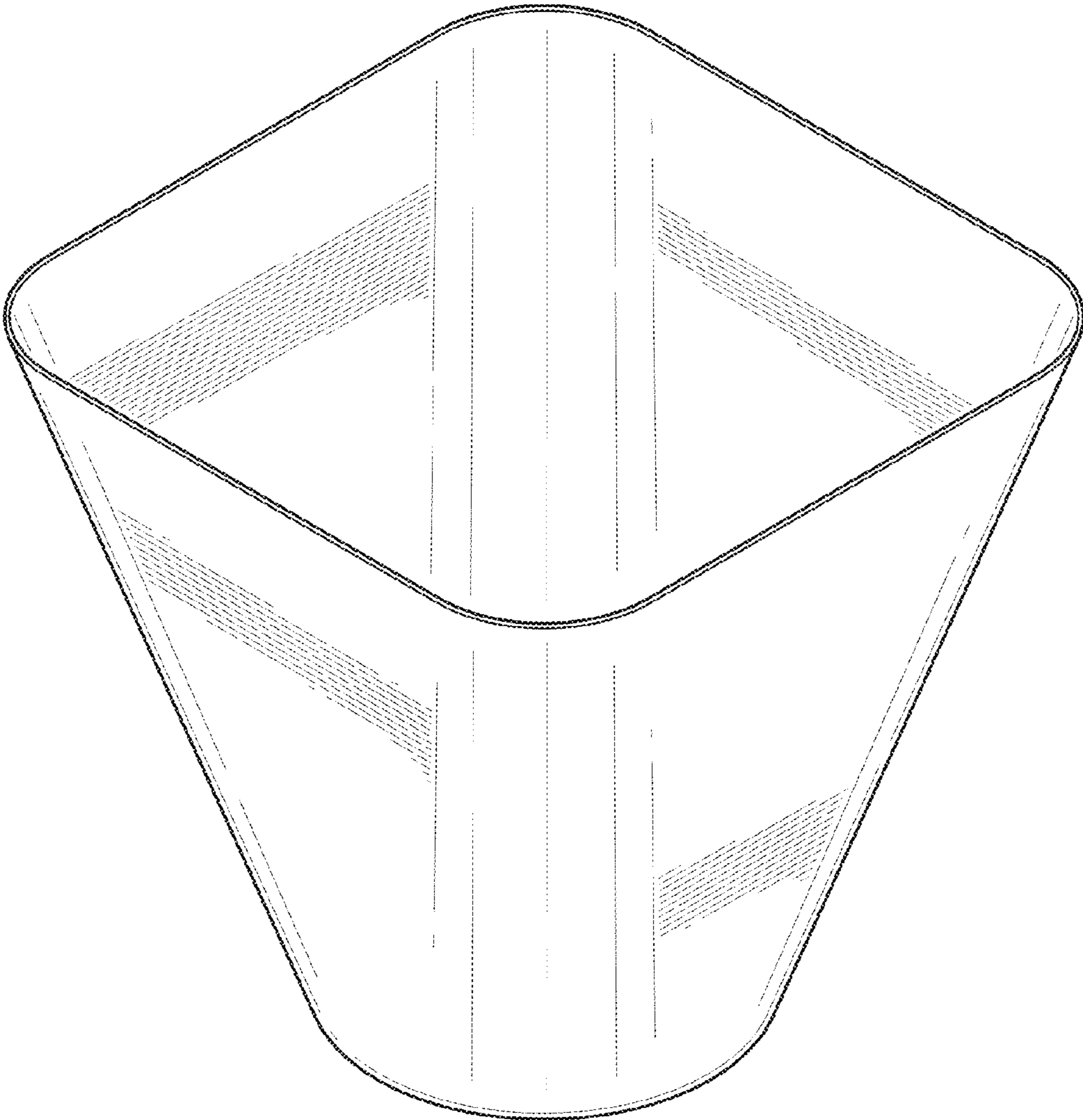


FIG.1

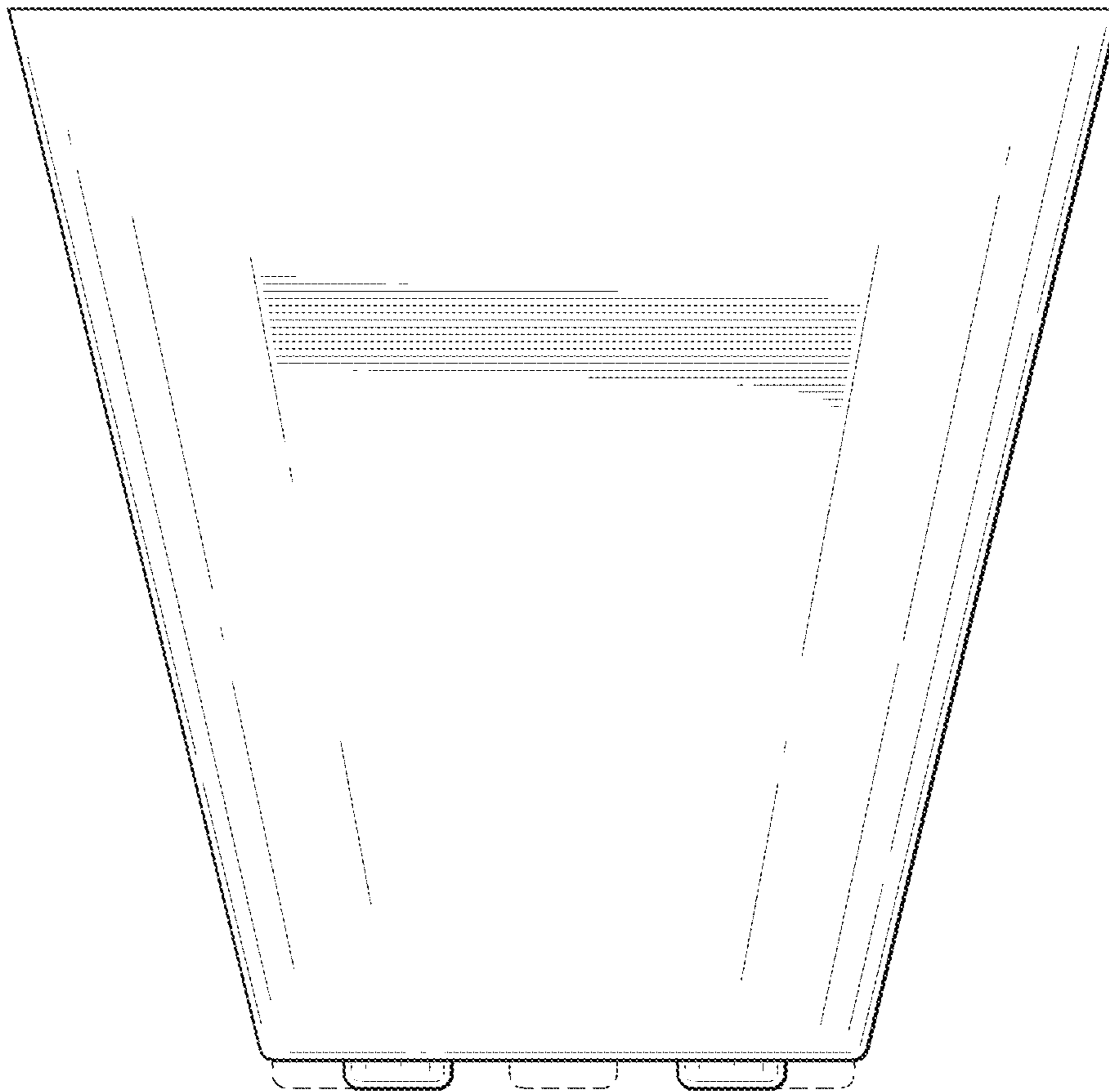


FIG.2

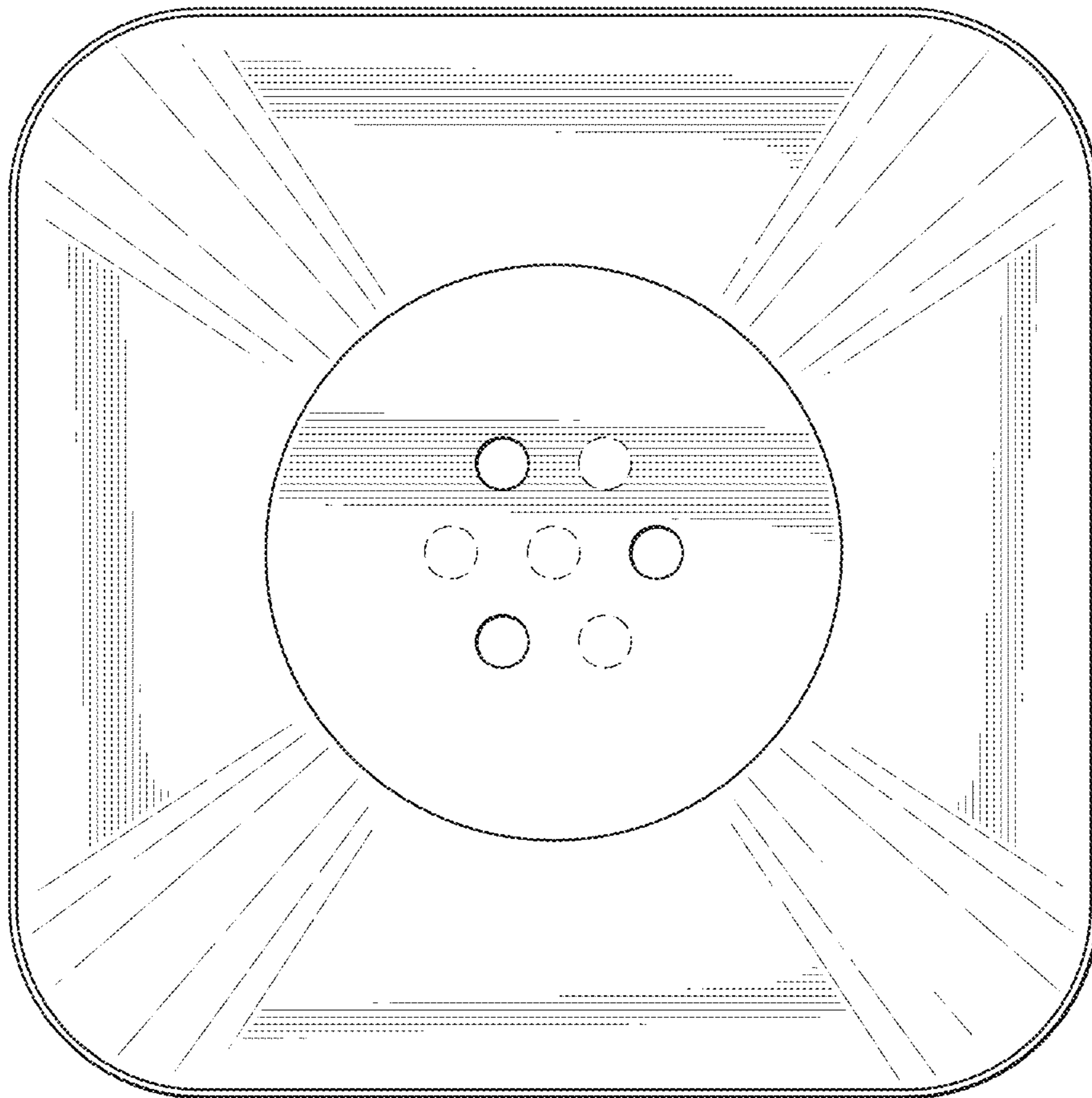


FIG. 3

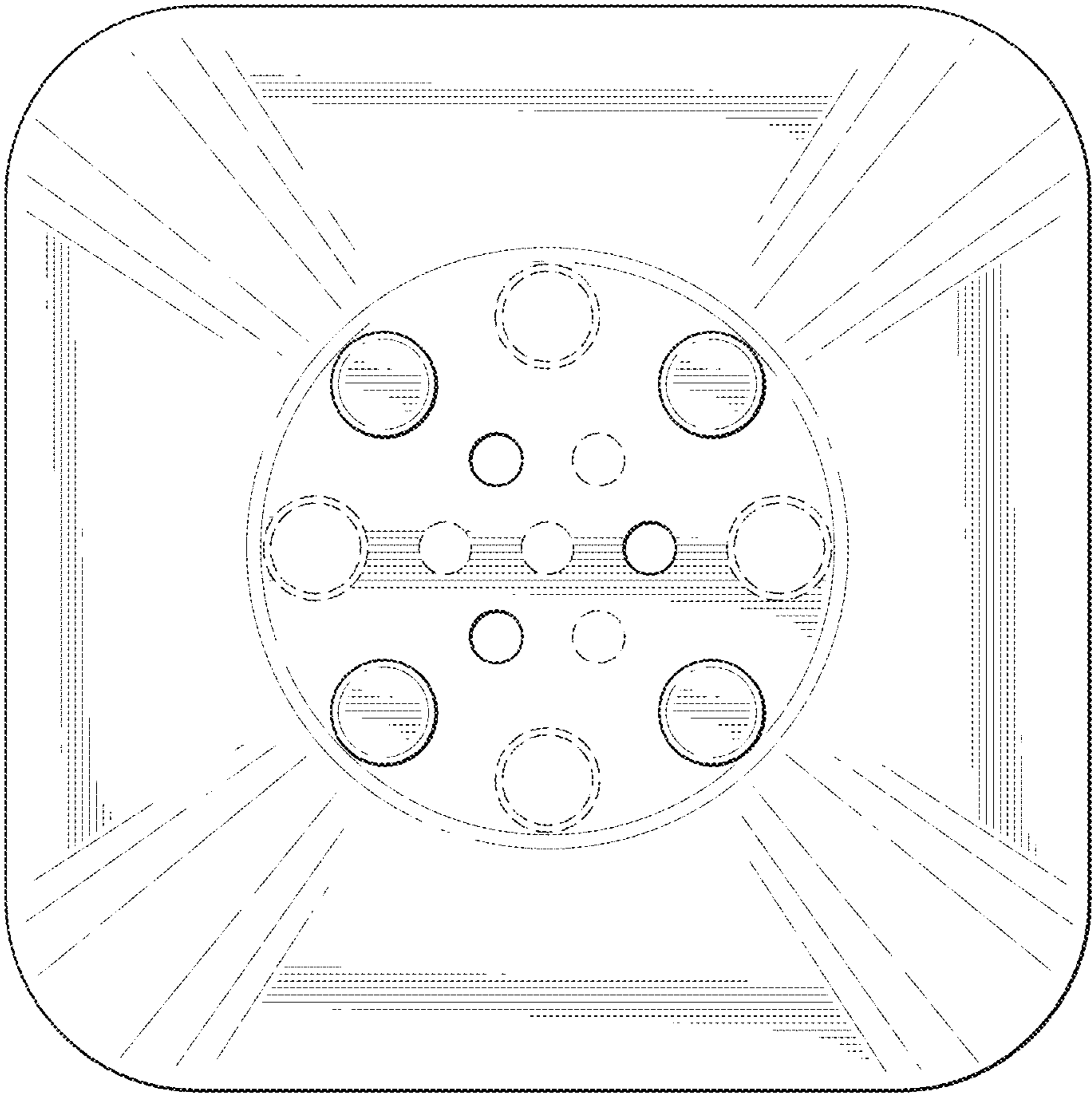


FIG.4

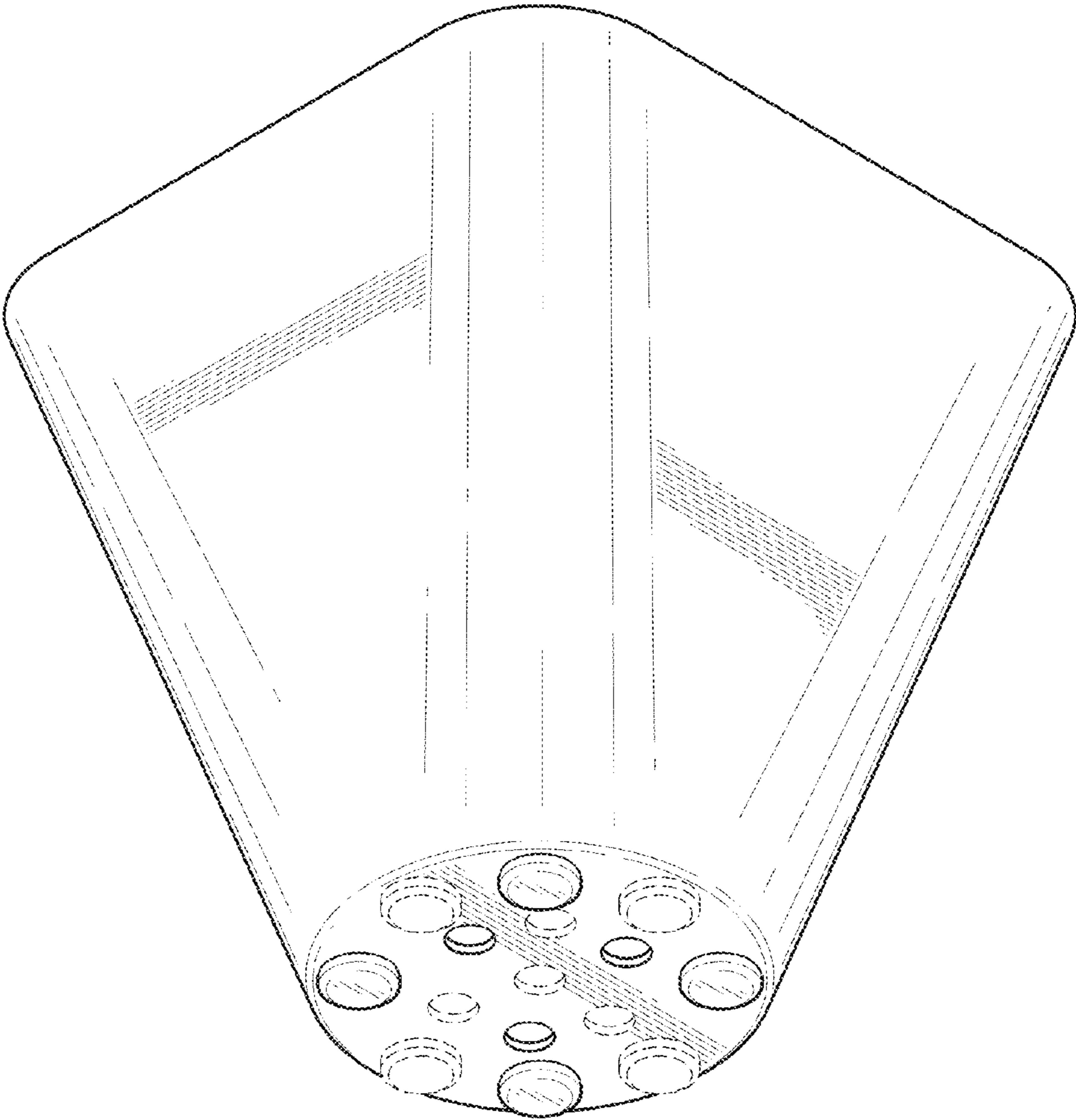


FIG.5