



US00D722520S

(12) **United States Design Patent**
Marchand

(10) **Patent No.:** **US D722,520 S**
(45) **Date of Patent:** **** Feb. 17, 2015**

- (54) **CHAIN**
- (71) Applicant: **Cartier Création Studio SA**, Genève (CH)
- (72) Inventor: **Véronique Marchand**, Asnières sur Seine (FR)
- (73) Assignee: **Cartier Création Studio SA**, Genève (CH)
- (**) Term: **14 Years**
- (21) Appl. No.: **29/488,930**
- (22) Filed: **Apr. 24, 2014**

D321,331 S *	11/1991	Royer	D11/43
D435,228 S *	12/2000	Hegarty et al.	D11/27
D485,204 S *	1/2004	Sandberg	D11/43
D505,633 S *	5/2005	Hardy	D11/26
D562,718 S *	2/2008	Wong	D11/40
D588,490 S *	3/2009	Momjian	D11/40
D592,538 S *	5/2009	Momjian	D11/40
D603,289 S *	11/2009	Lebail	D11/43
D625,640 S *	10/2010	Sivriere	D11/1

OTHER PUBLICATIONS

[Online] "Juste Un Clou Long Necklace". <http://www.cartier.us/collections/jewelry/categories/necklaces/juste-un-clou/n7413400-juste-un-clou-long-necklace>. Retrieved Oct. 24, 2014.*

[Online] "Juste Un Clou Pendant". <http://www.cartier.us/collections/jewelry/categories/necklaces/juste-un-clou/b3047000-juste-un-clou-pendant#face-image>. Retrieved Oct. 24, 2014.*

* cited by examiner

Primary Examiner — Garth Rademaker
Assistant Examiner — Melanie Pellegrini
 (74) *Attorney, Agent, or Firm* — Sterne, Kessler, Goldstein & Fox P.L.L.C.

Related U.S. Application Data

- (63) Continuation of application No. 29/487,928, filed on Apr. 14, 2014.

(30) **Foreign Application Priority Data**

Oct. 15, 2013	(EM)	2326637-001
Oct. 15, 2013	(EM)	2326637-002
Oct. 15, 2013	(EM)	2326637-003

- (51) **LOC (10) Cl.** **11-01**
- (52) **U.S. Cl.**
USPC **D11/81; D11/44**

- (58) **Field of Classification Search**
USPC D11/79–86, 91, 92, 40–43, 1, 2, 7, 8, D11/66, 93; 63/1.11, 1.14, 1.15, 18–20, 63/26–28, DIG. 2, 12, 13
See application file for complete search history.

(56) **References Cited**

U.S. PATENT DOCUMENTS

D174,740 S *	5/1955	Davidson	D11/75
D260,620 S *	9/1981	Blum	D11/3

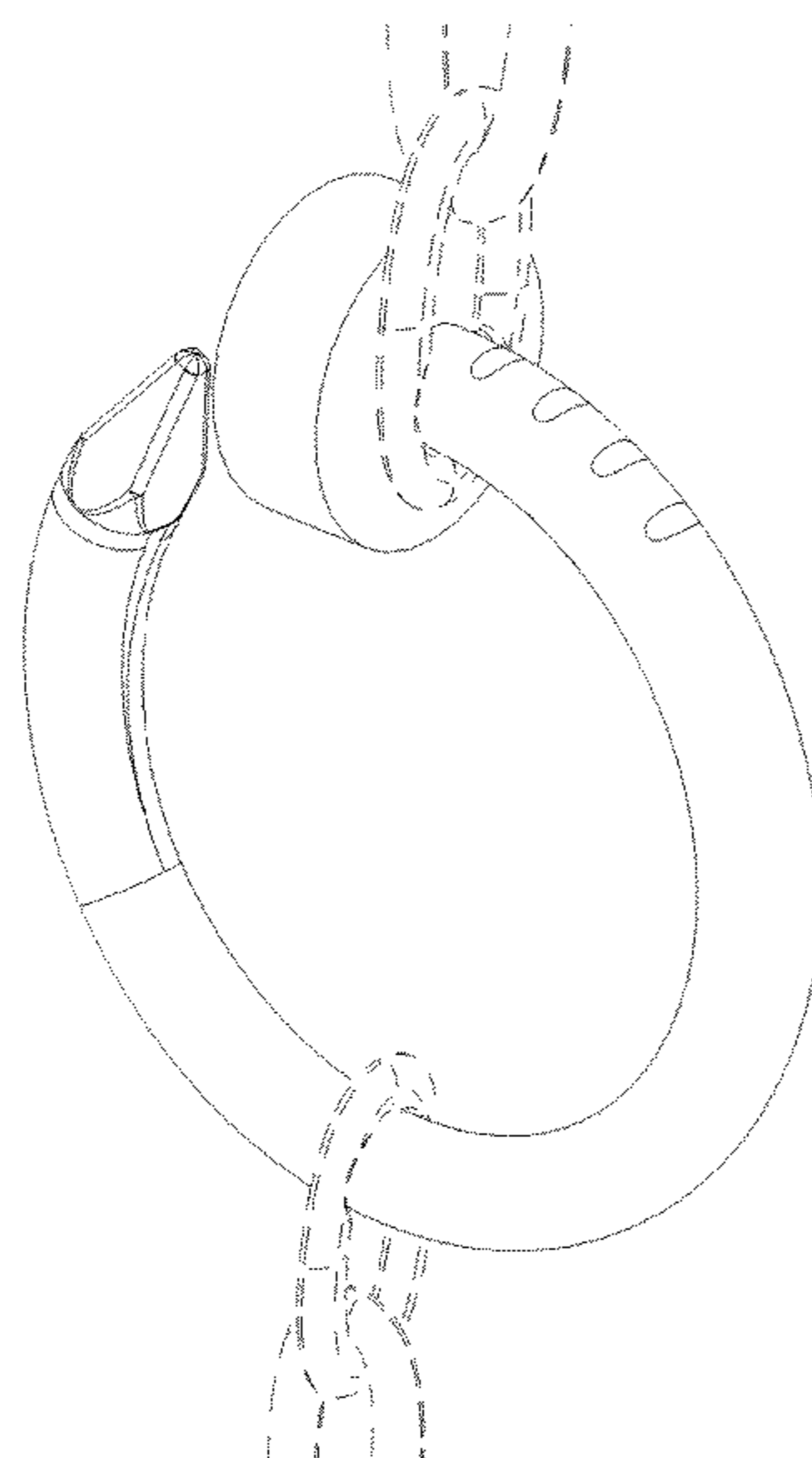
CLAIM

- (57) The ornamental design for a chain, as shown and described.

DESCRIPTION

FIG. 1 is a front view of a chain showing my new design;
 FIG. 2 is a front perspective view thereof;
 FIG. 3 is a right side view thereof;
 FIG. 4 is a rear view thereof;
 FIG. 5 is a rear perspective view thereof; and,
 FIG. 6 is a left side view thereof.
 The broken lines shown in the drawings illustrate environment and form no part of the claimed design.

1 Claim, 6 Drawing Sheets



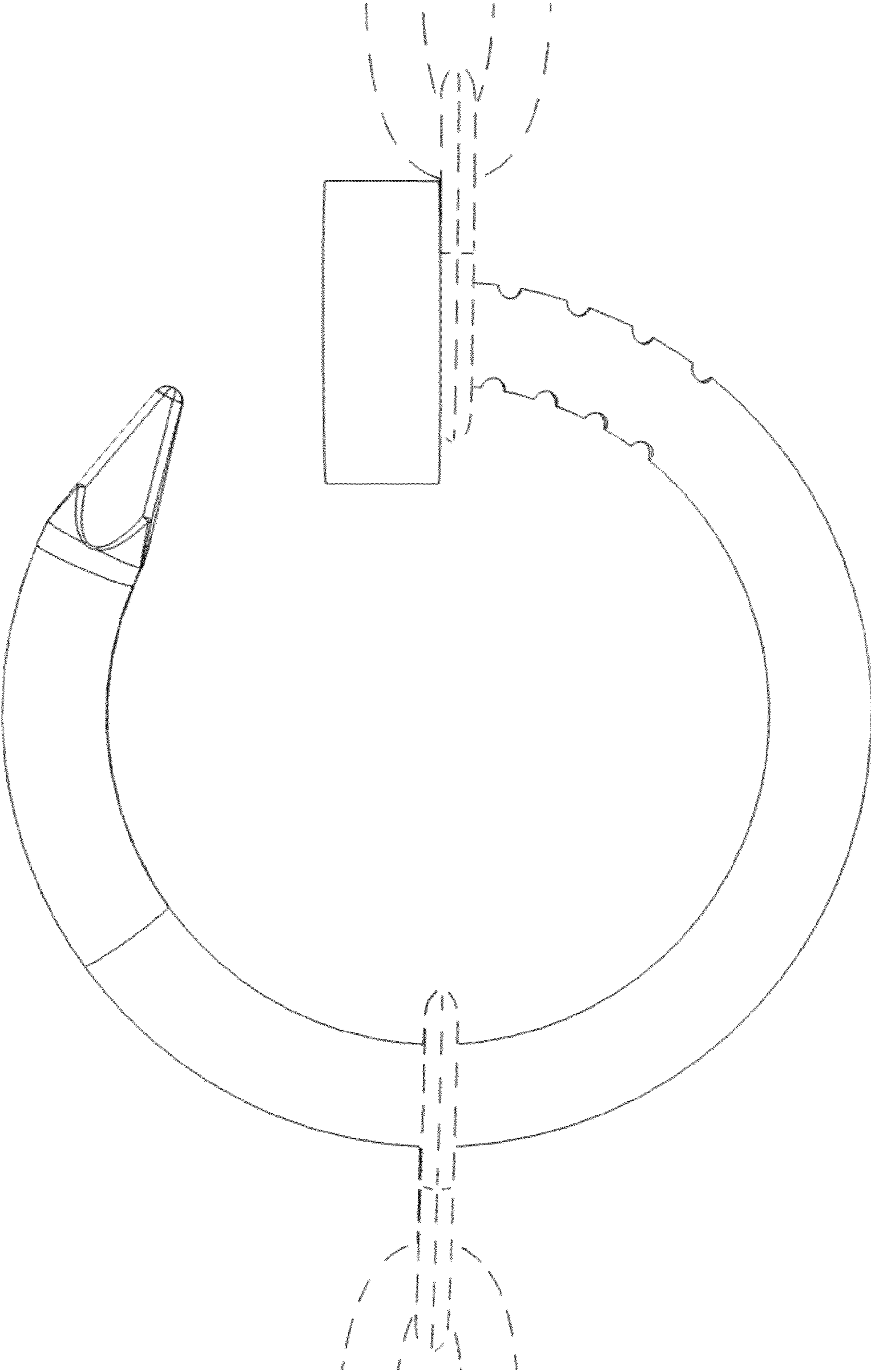


FIG. 1

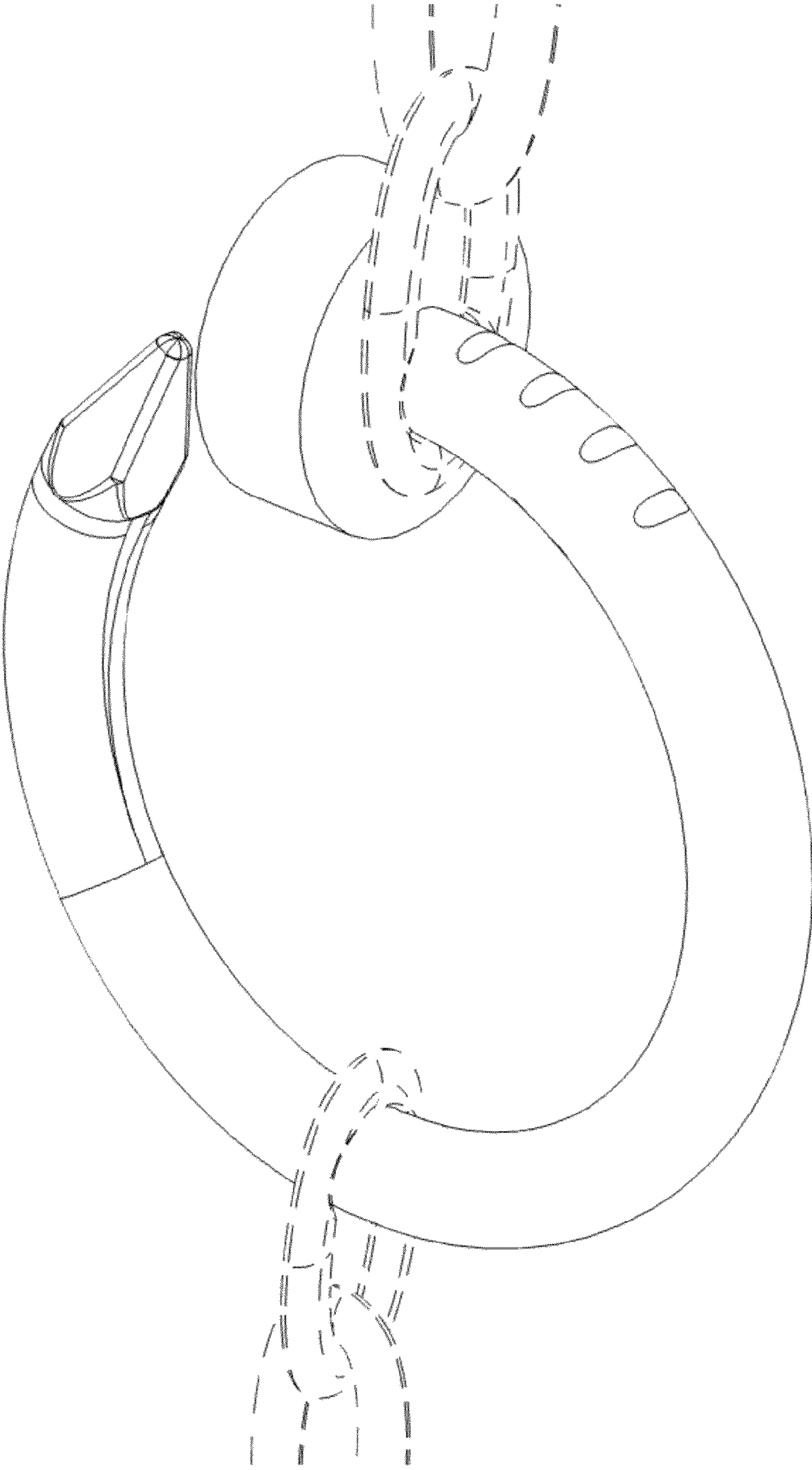


FIG. 2

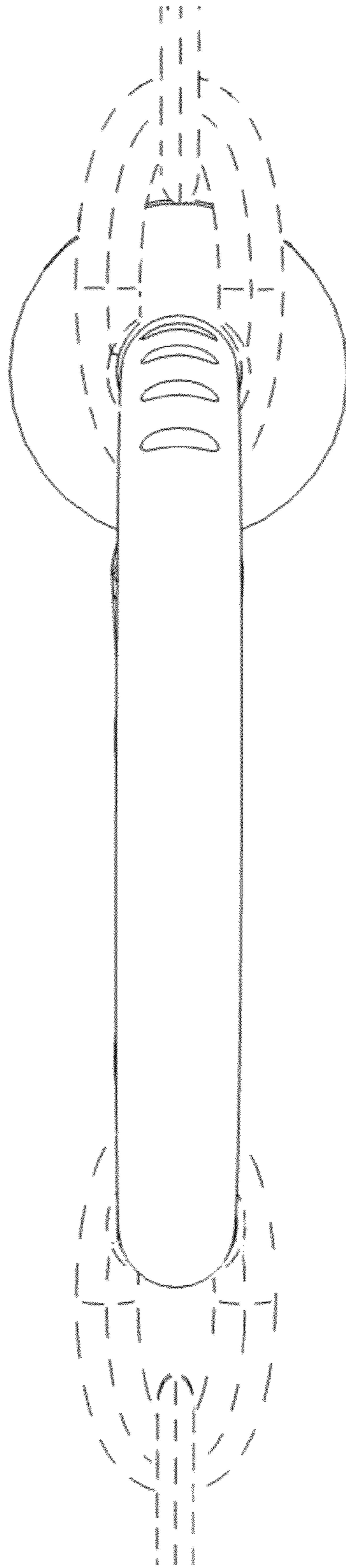


FIG. 3

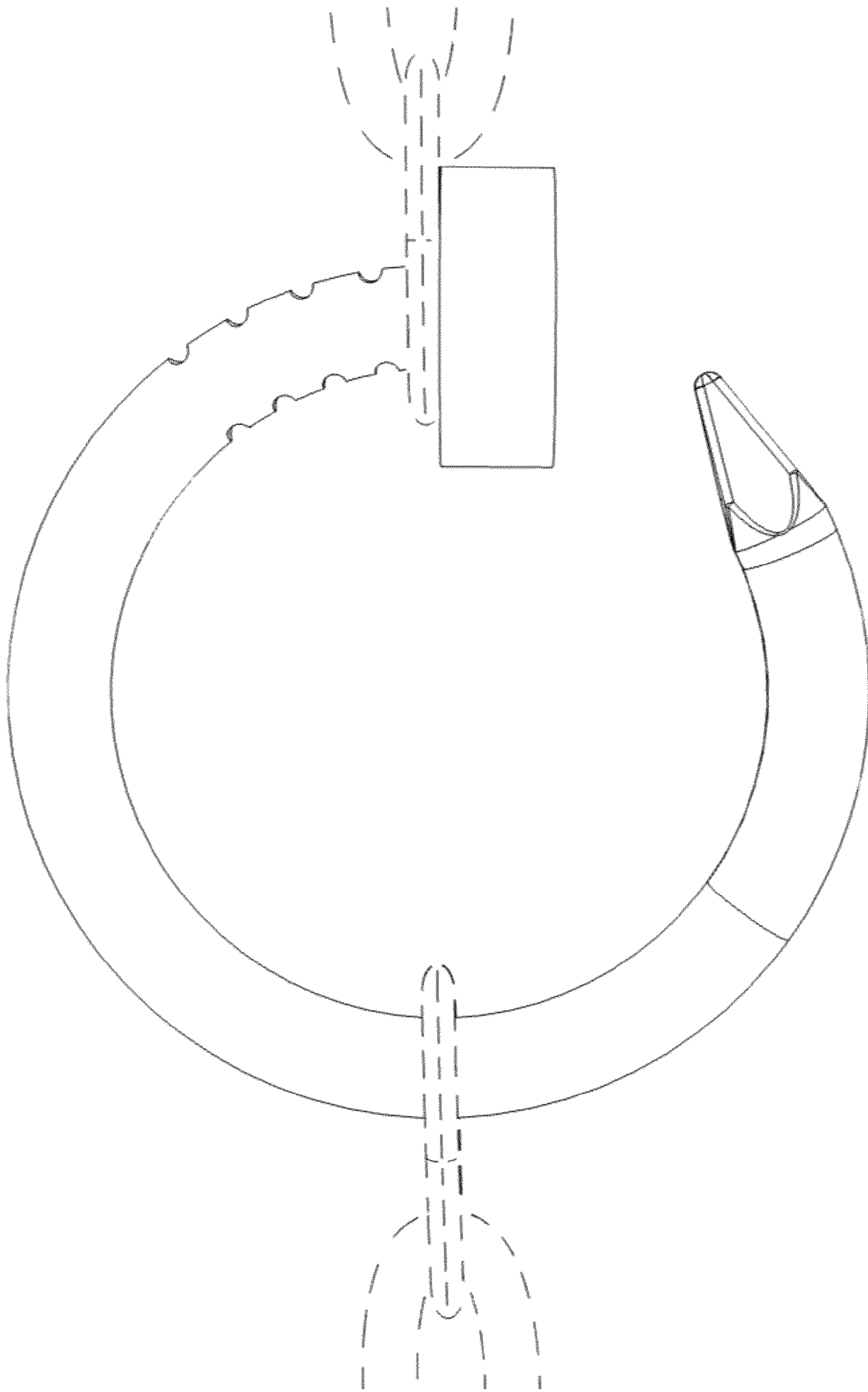


FIG. 4

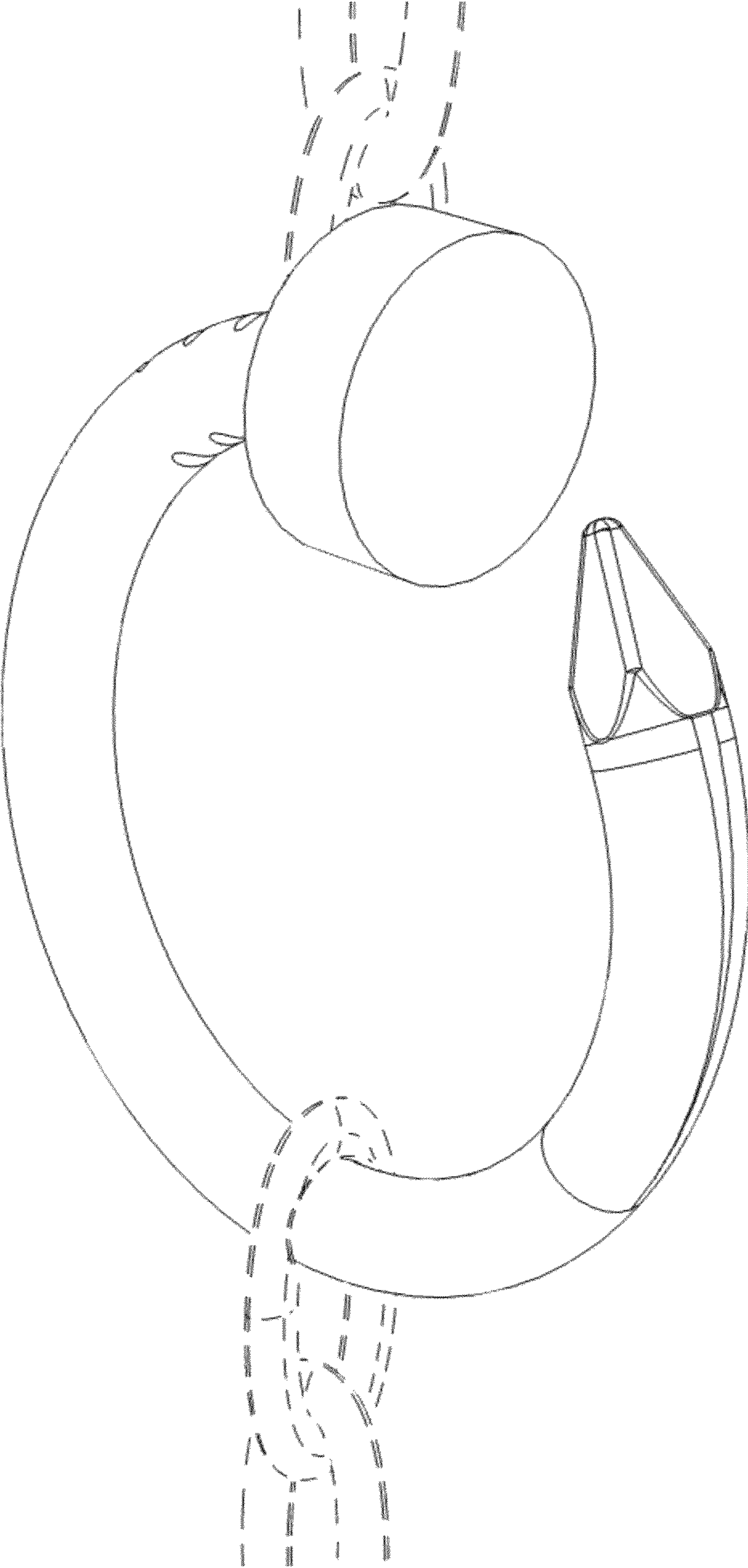


FIG. 5

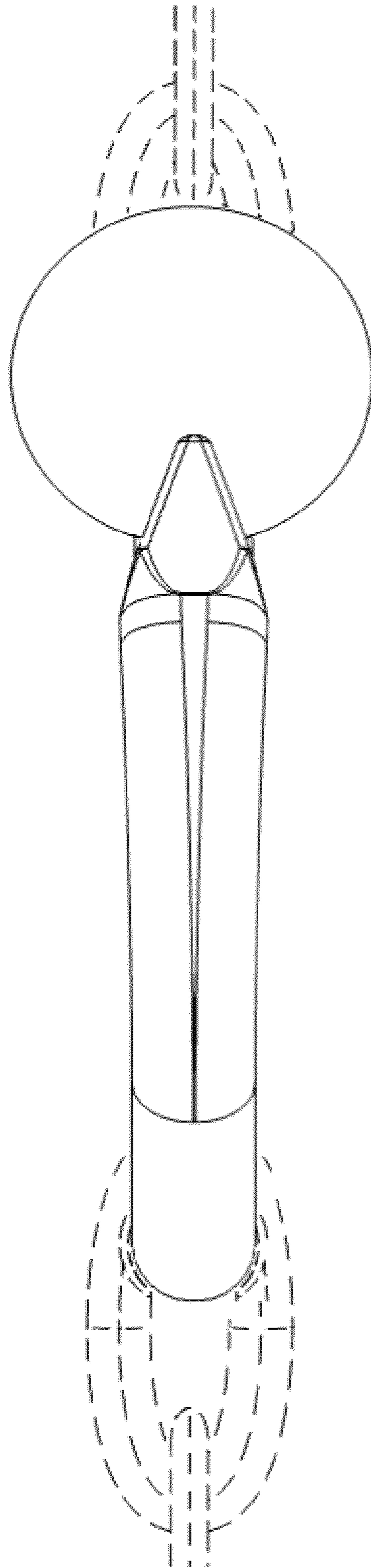


FIG. 6