



US00D722516S

(12) **United States Design Patent**
Kroll

(10) **Patent No.:** **US D722,516 S**

(45) **Date of Patent:** **** Feb. 17, 2015**

(54) **DISC LOAD CELL**

(71) Applicant: **William P. Kroll**, Medina, MN (US)

(72) Inventor: **William P. Kroll**, Medina, MN (US)

(73) Assignee: **Intercomp Company**, Medina, MN (US)

(**) Term: **14 Years**

(21) Appl. No.: **29/469,487**

(22) Filed: **Oct. 10, 2013**

(51) **LOC (10) Cl.** **10-04**

(52) **U.S. Cl.**
USPC **D10/83**

(58) **Field of Classification Search**

CPC A61B 5/1495; A61B 5/15126; A61B 5/7475; A61B 5/002; A61B 5/14514; A61B 5/145; A61B 5/151; A61B 5/157; A61B 5/1411; A61B 5/14532; A61B 10/0096; A61B 2010/008; G06F 19/3406; G06F 19/3418; G01N 33/4876

USPC D10/83; 73/866, 862.041-862.045

See application file for complete search history.

(56) **References Cited**

U.S. PATENT DOCUMENTS

4,821,582 A * 4/1989 Meyer et al. 73/862.045
6,038,933 A * 3/2000 Meyer 73/862.045
D451,415 S * 12/2001 Meyer et al. D10/83
8,438,938 B1 * 5/2013 Cavanagh 73/862.629
8,607,646 B2 * 12/2013 Ohsato 73/862.044

* cited by examiner

Primary Examiner — Antoine D Davis

(74) *Attorney, Agent, or Firm* — Skinner and Associates; Joel Skinner

(57) **CLAIM**

The ornamental design for a disc load cell, as shown and described.

DESCRIPTION

FIG. 1 is a top perspective view of a disc load cell of the invention.

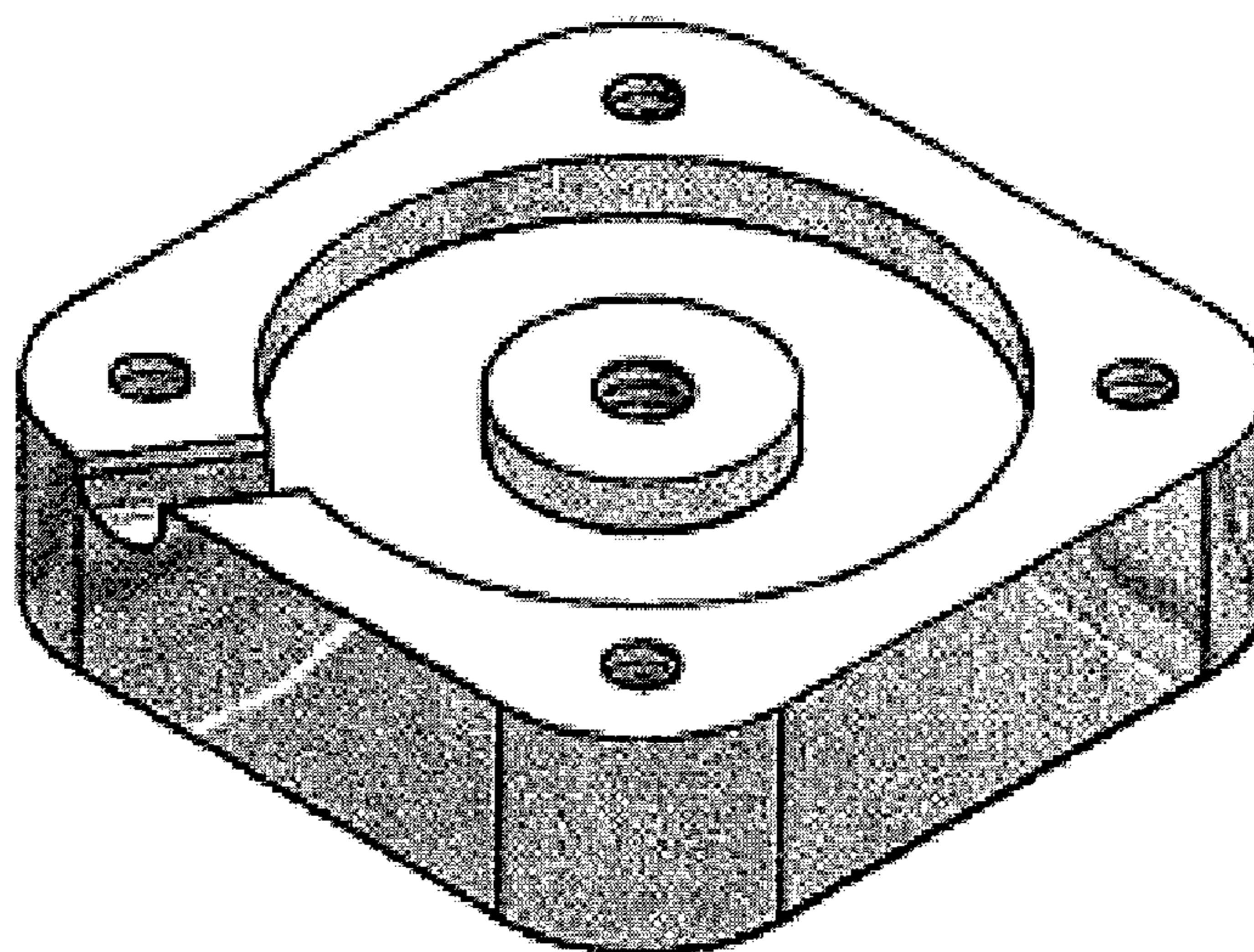
FIG. 2 is a bottom perspective view thereof.

FIG. 3 is top view thereof; and,

FIG. 4 is a side view thereof.

The design is for a disc load cell which is used in a scale to weigh vehicles or other articles.

1 Claim, 2 Drawing Sheets



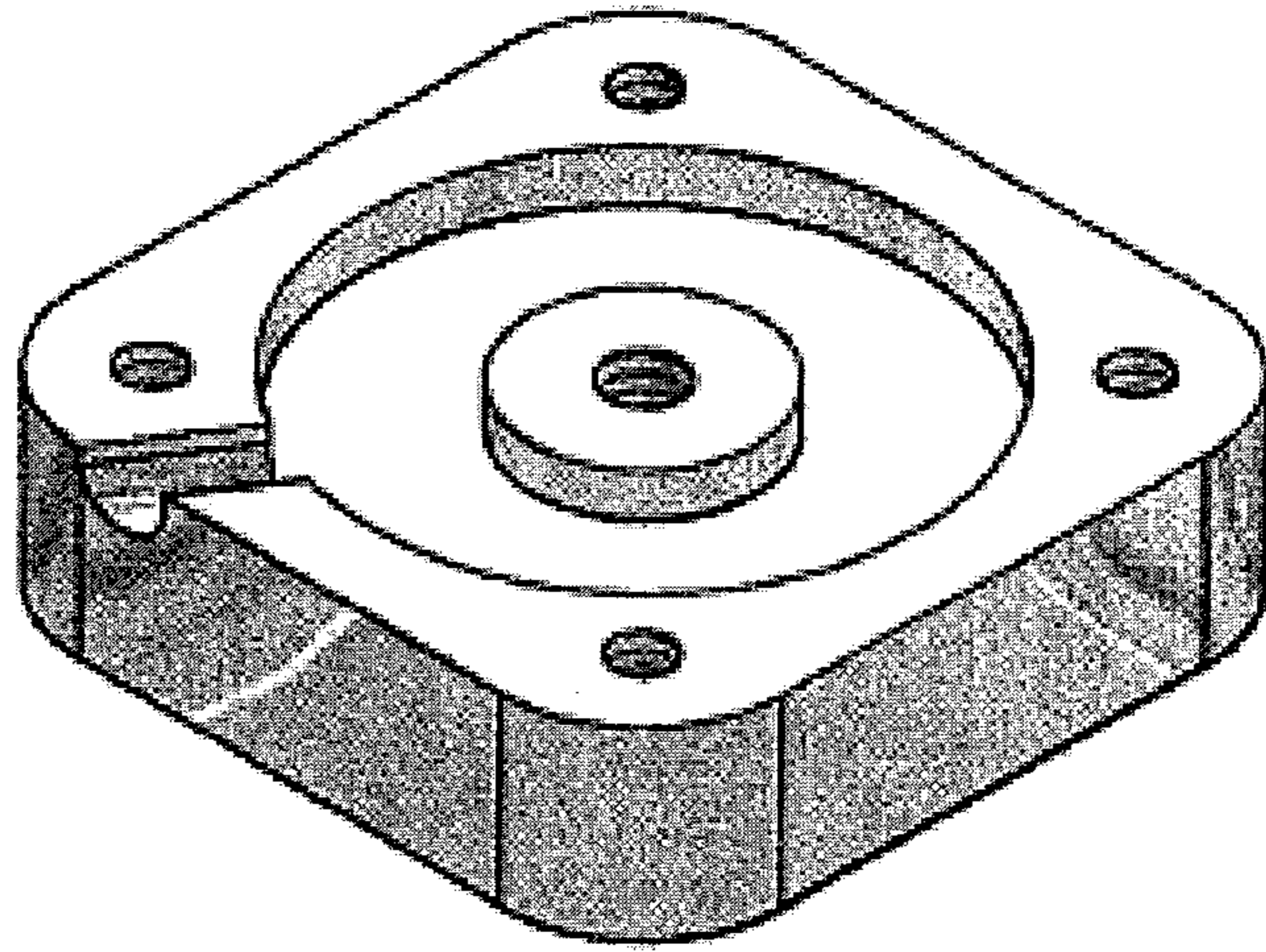


FIGURE 1

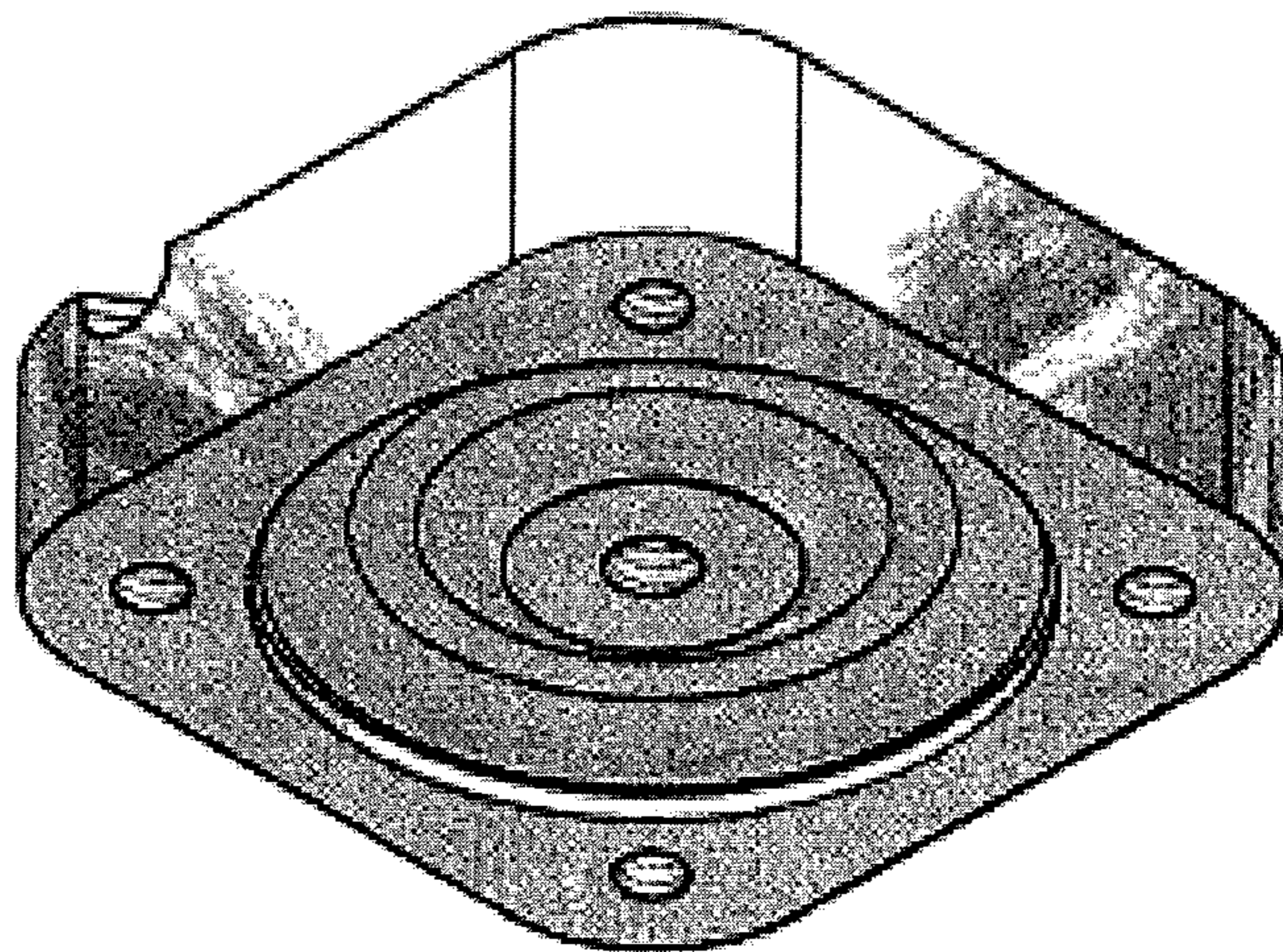


FIGURE 2

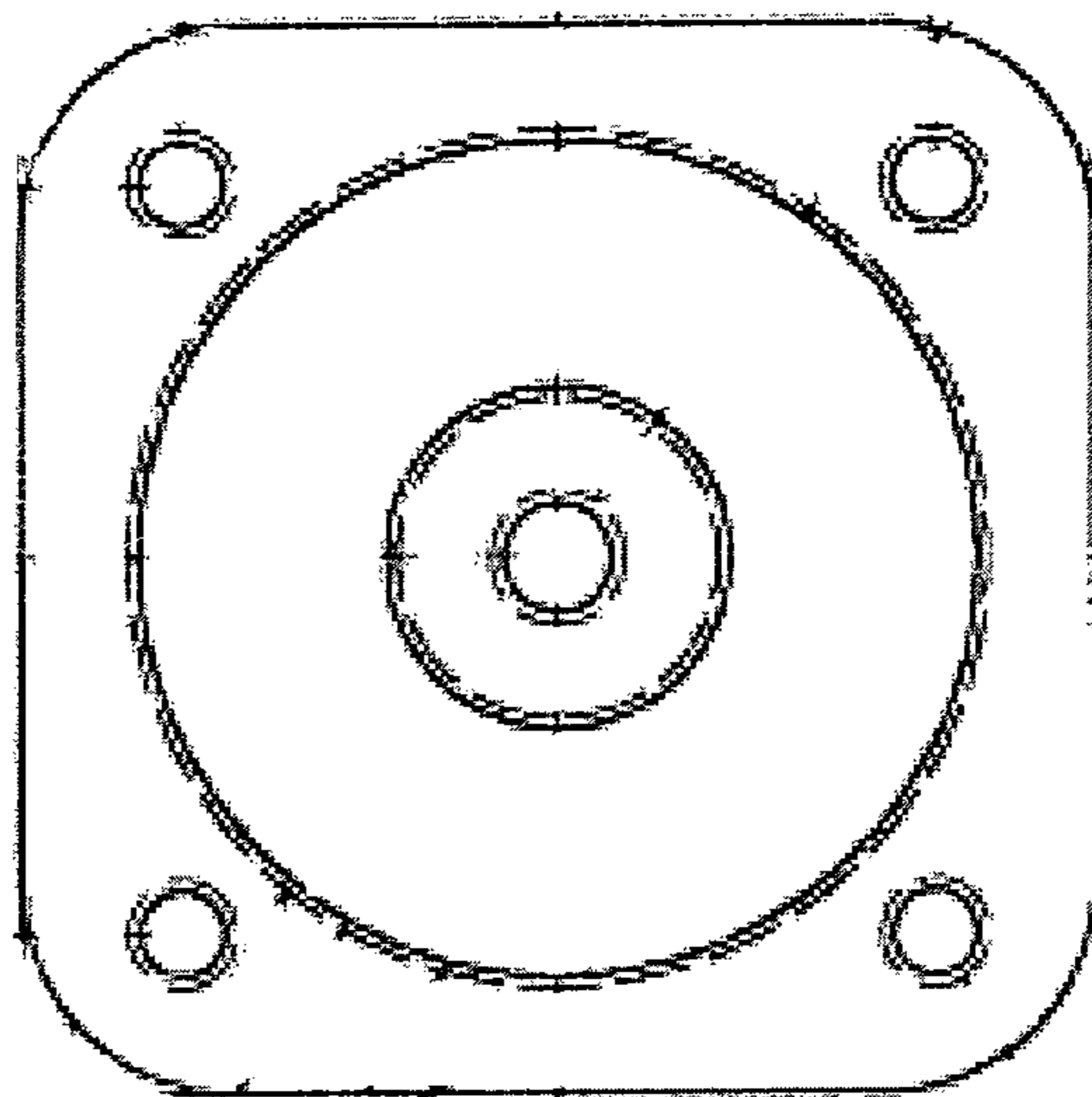


FIGURE 3

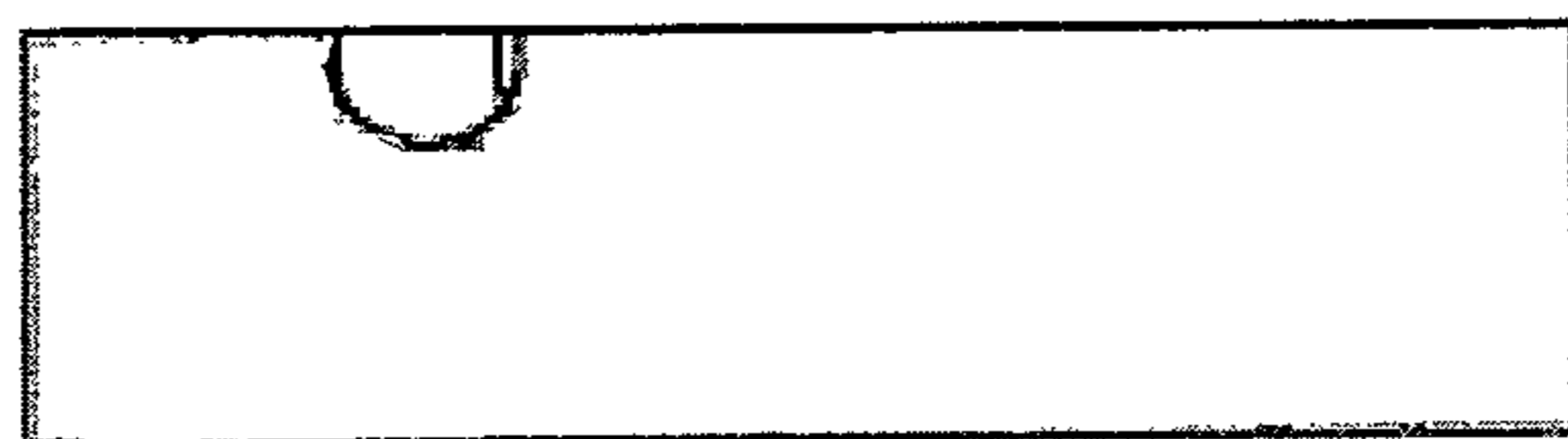


FIGURE 4