

US00D722515S

(12) **United States Design Patent**
Zock

(10) **Patent No.:** **US D722,515 S**
(45) **Date of Patent:** **** Feb. 17, 2015**

- (54) **PARTICLE ANALYZER**
- (71) Applicant: **Intellicyt Corporation**, Albuquerque, NM (US)
- (72) Inventor: **Joseph M. Zock**, Rio Rancho, NM (US)
- (73) Assignee: **Intellicyt Corporation**, Albuquerque, NM (US)

(**) Term: **14 Years**
(21) Appl. No.: **29/459,799**

(22) Filed: **Jul. 3, 2013**
(51) **LOC (10) Cl.** **10-04**
(52) **U.S. Cl.**

(58) **Field of Classification Search**
CPC G01N 2015/1006–2015/1461; G01N 15/10–15/1463; G01N 15/02–15/06; G01N 2015/0003–2015/0096; G01N 15/00; G01N 2035/0091; G01N 2035/00435; G01N 2035/00752; G01N 15/0211; G01N 35/08; G01N 35/00; G01N 35/1074; G01N 35/1095
USPC D10/46, 75, 81, 97; D24/107, 158, 169, D24/185, 186, 216, 232–234
See application file for complete search history.

(56) **References Cited**

U.S. PATENT DOCUMENTS

- 7,456,959 B2 * 11/2008 Nakayama et al. 356/336
- D644,544 S * 9/2011 Yukikado D10/81
- D665,917 S * 8/2012 TerMaat et al. D24/216

- 8,669,097 B2 * 3/2014 Kawashima 435/283.1
- 2008/0144916 A1 * 6/2008 Vent 382/133
- 2011/0071039 A1 * 3/2011 Kumar et al. 506/9
- 2011/0074451 A1 * 3/2011 Yamaguchi 324/693
- 2011/0102792 A1 * 5/2011 Ozasa 356/337
- 2012/0321513 A1 * 12/2012 Nagai et al. 422/63
- 2013/0229168 A1 * 9/2013 Takeshita 324/71.4
- 2014/0293281 A1 * 10/2014 Yamamoto et al. 356/338
- 2014/0295450 A1 * 10/2014 Morita et al. 435/6.14

* cited by examiner

Primary Examiner — Antoine D Davis

(74) *Attorney, Agent, or Firm* — Peacock Myers, P.C.; Janeen Vilven

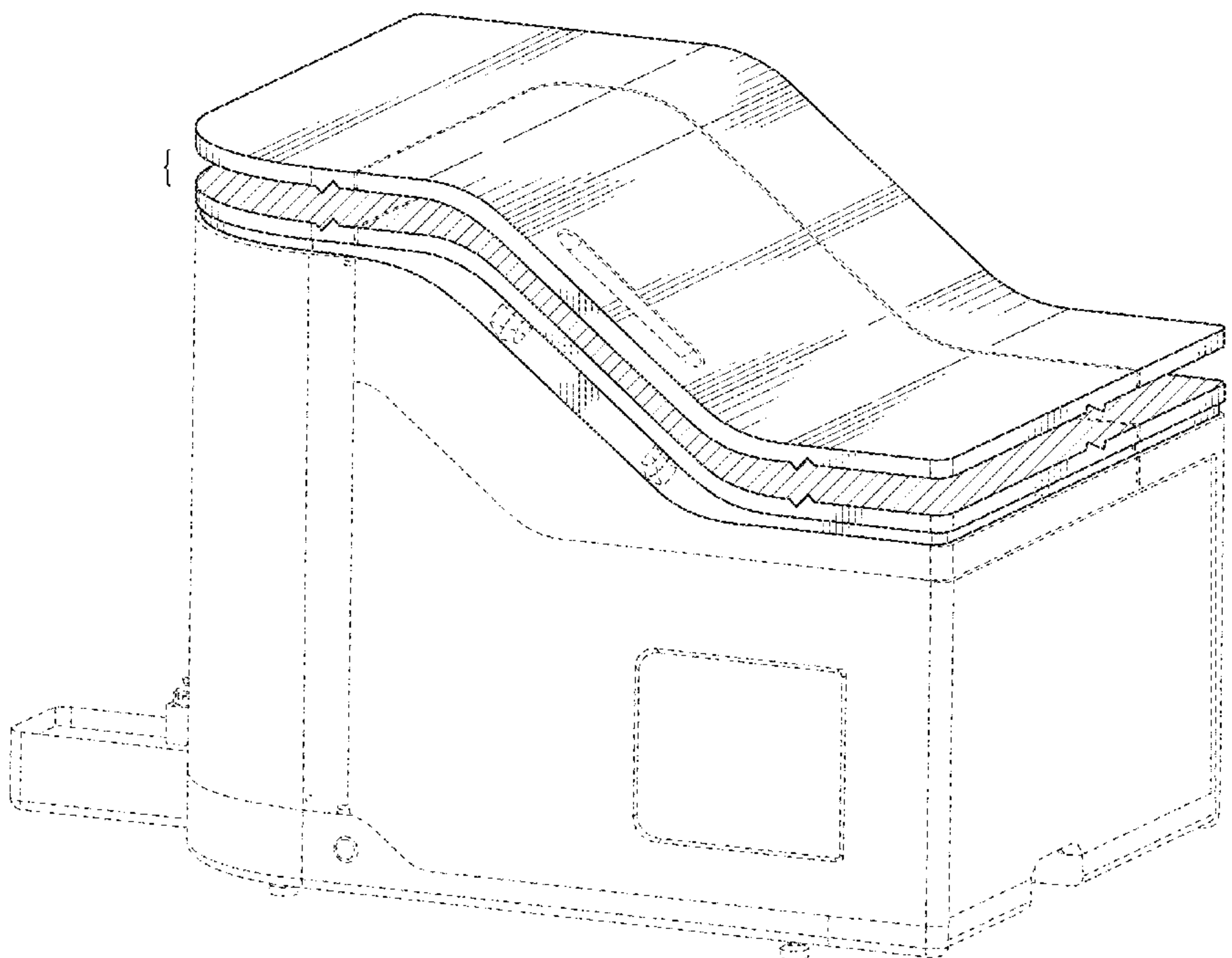
(57) **CLAIM**

The ornamental design for a particle analyzer, as shown and described.

DESCRIPTION

FIG. 1 is a perspective view of the particle analyzer showing our new design;
FIG. 2 is a front view thereof;
FIG. 3 is a back view thereof;
FIG. 4 is a left side view thereof;
FIG. 5 is a right side view thereof;
FIG. 6 is a top plan view thereof;
FIG. 7 is a bottom plan view thereof;
FIG. 8 is a left front perspective view thereof;
FIG. 9 is a left front perspective view thereof; and,
FIG. 10 is a left back perspective view thereof.
The broken line shows environmental structure of the particle analyzer and forms no part of the claimed design. The appearance of a separation and bracket indicate indeterminate thickness.

1 Claim, 10 Drawing Sheets



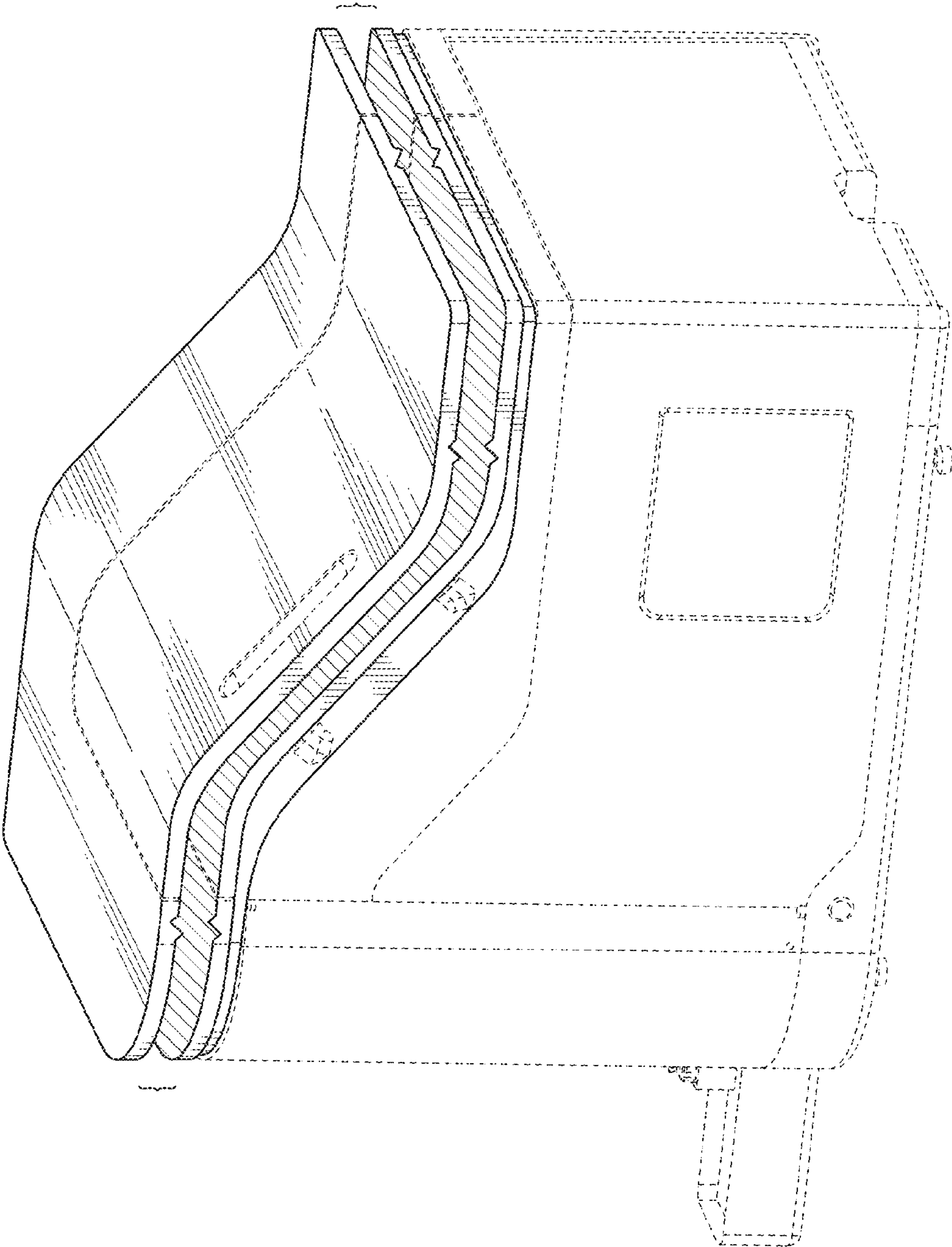


FIG. 1

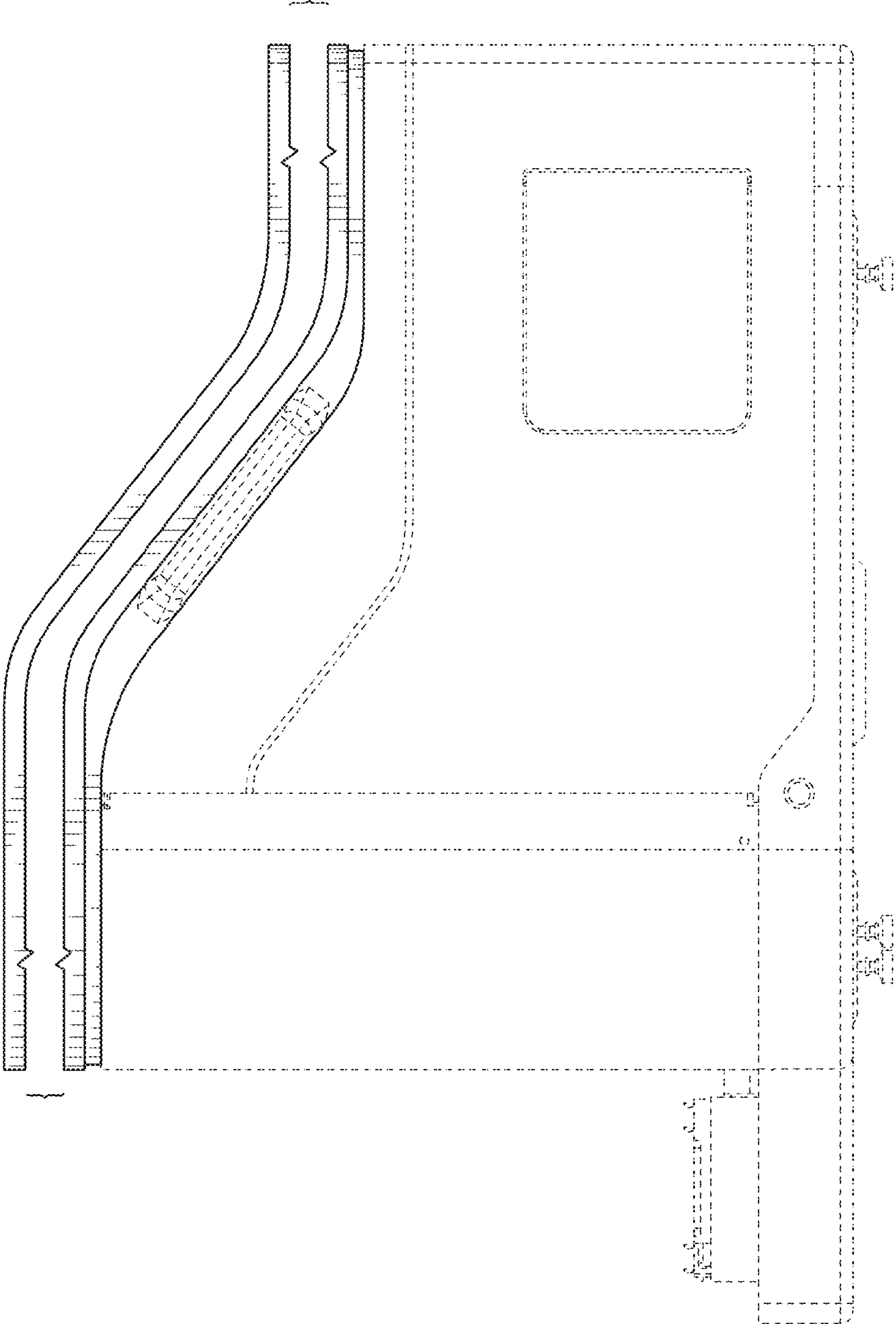


FIG. 2

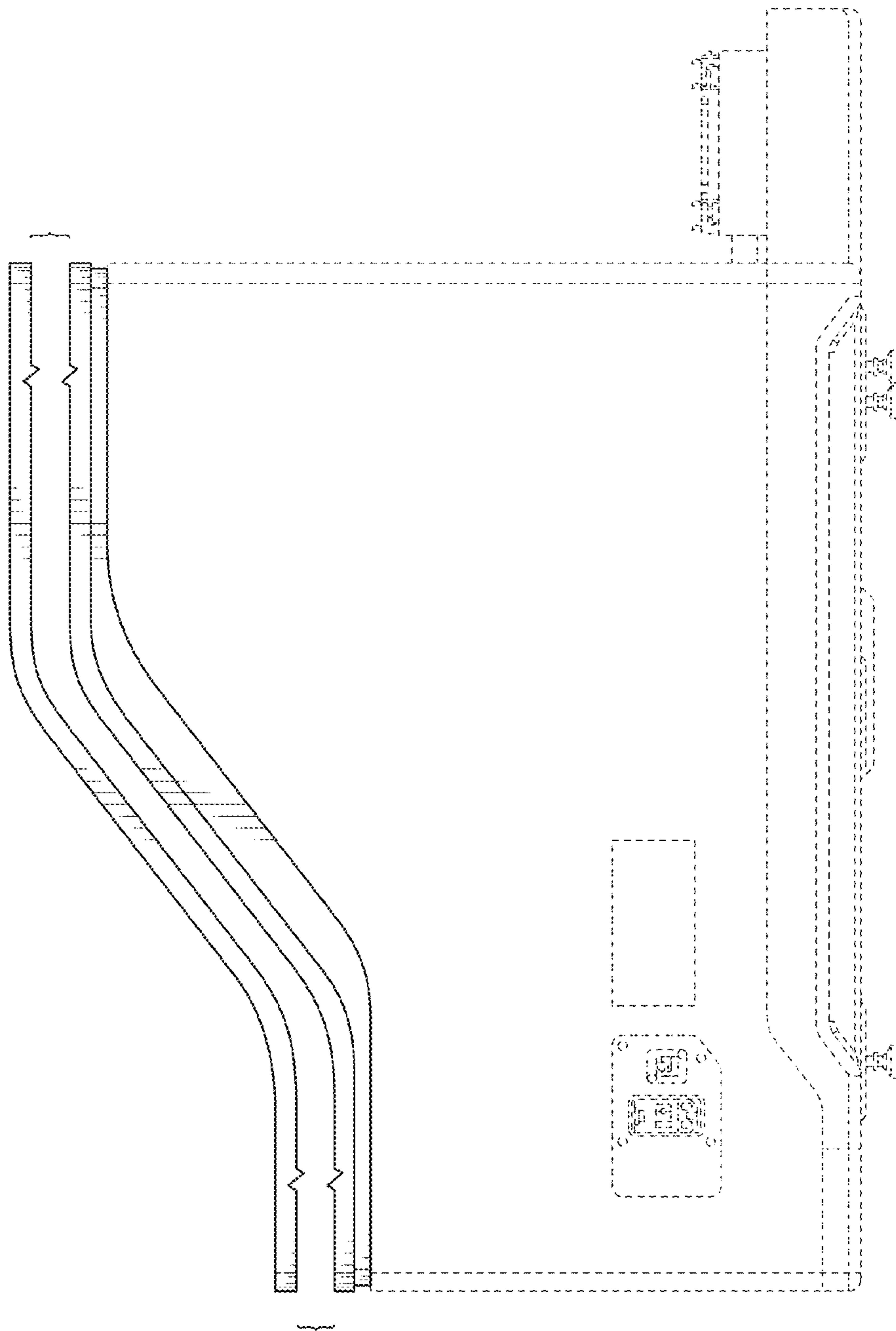


FIG. 3

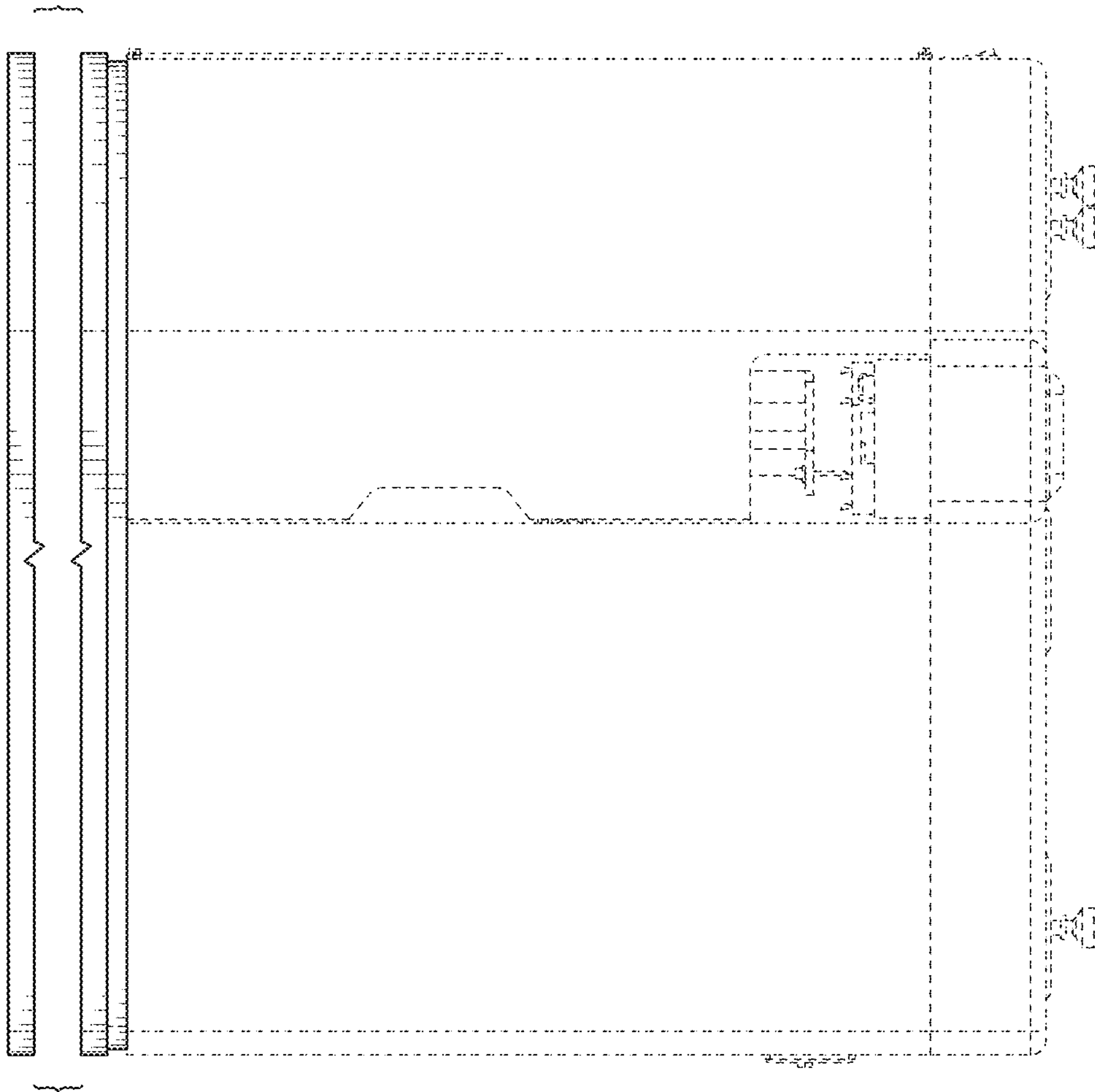


FIG. 4

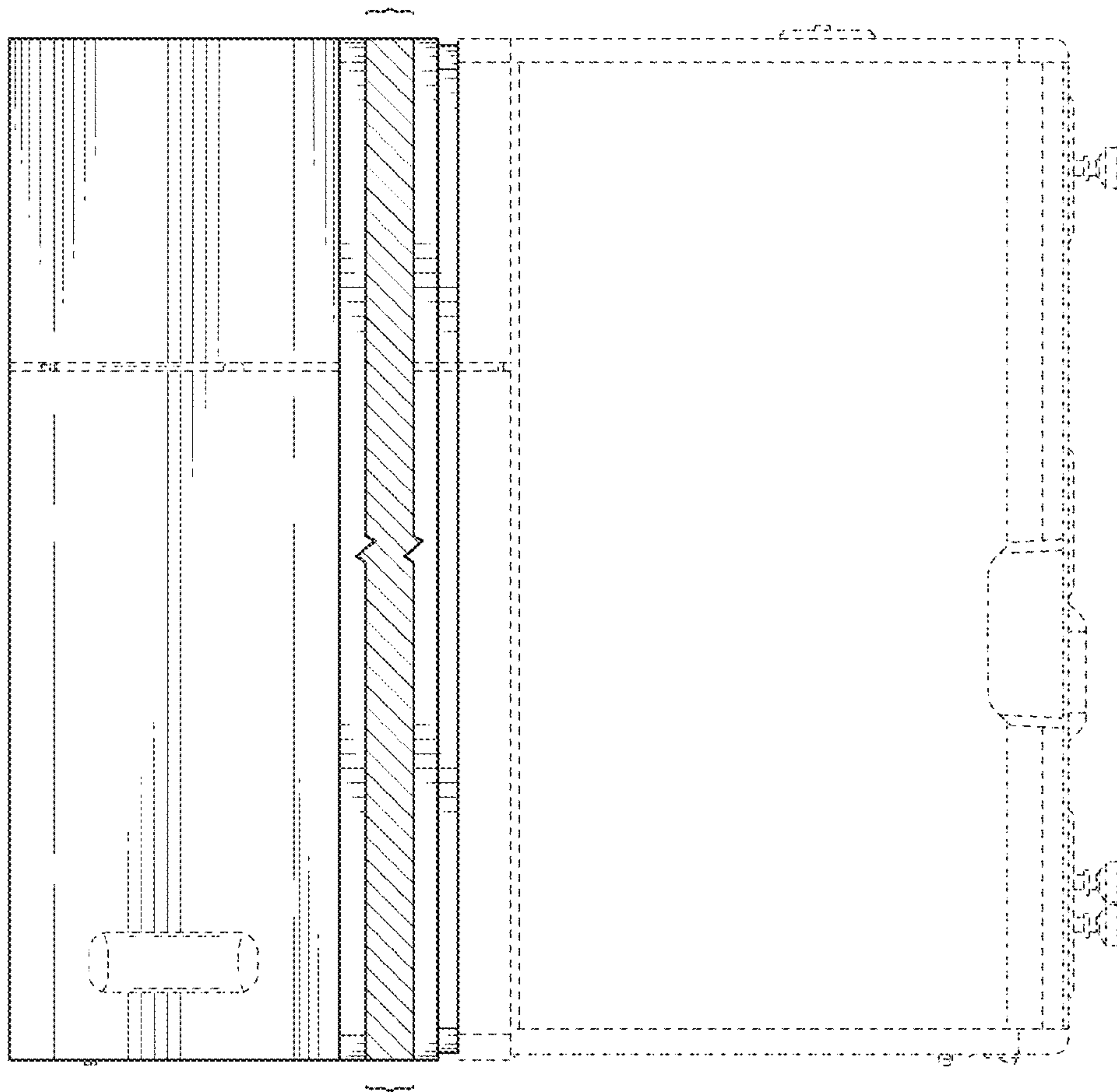


FIG. 5

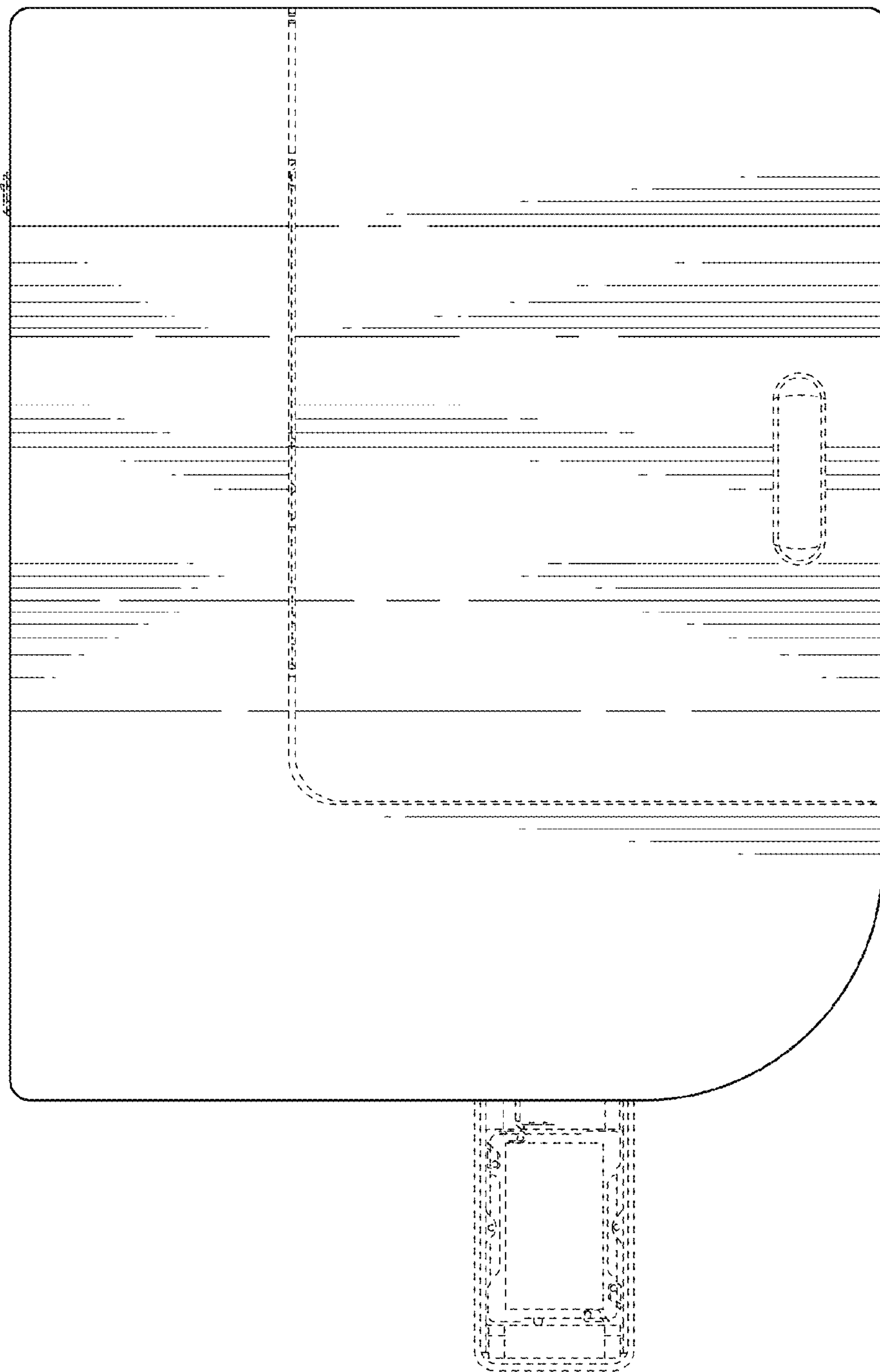


FIG. 6

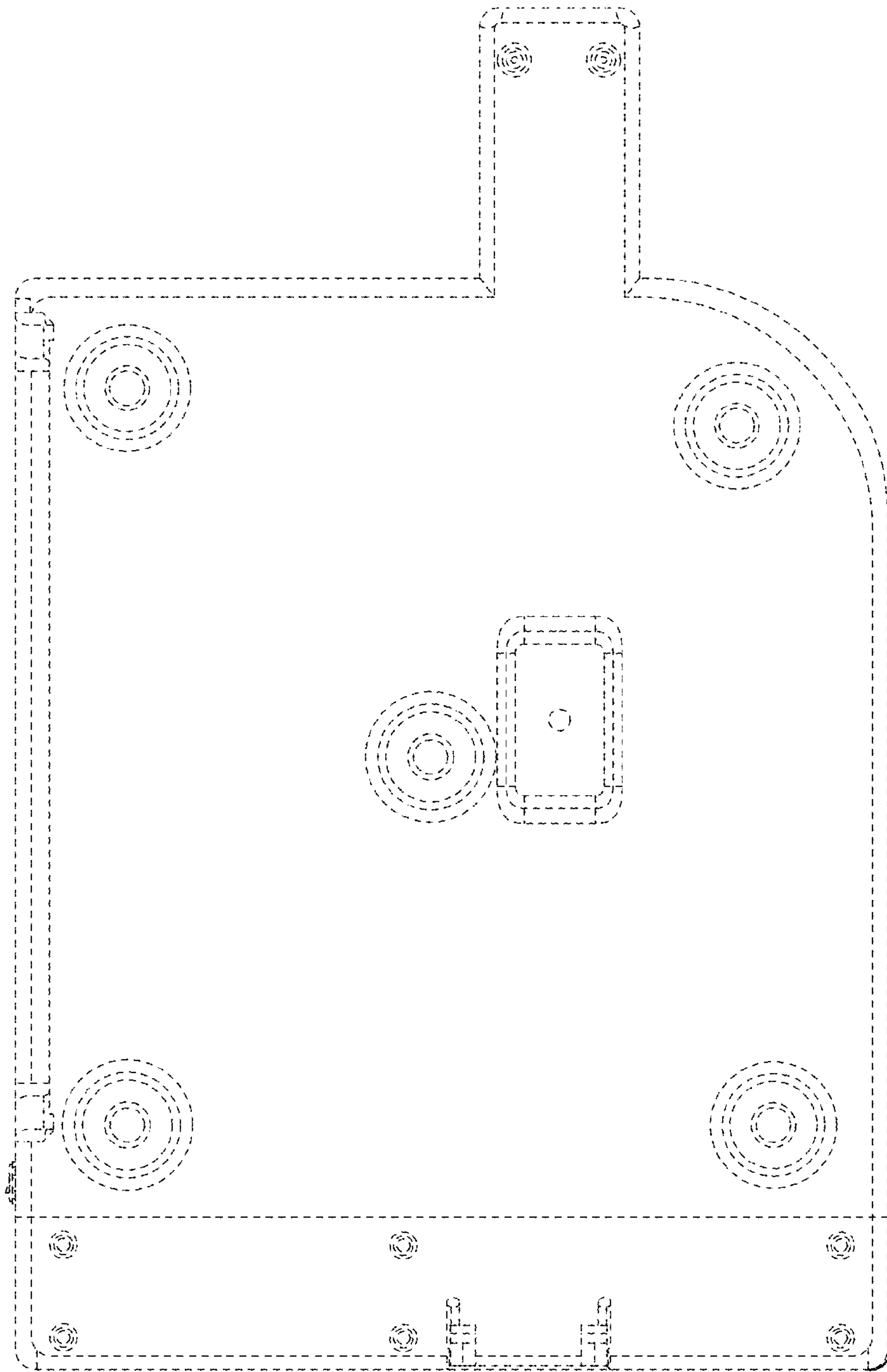


FIG. 7

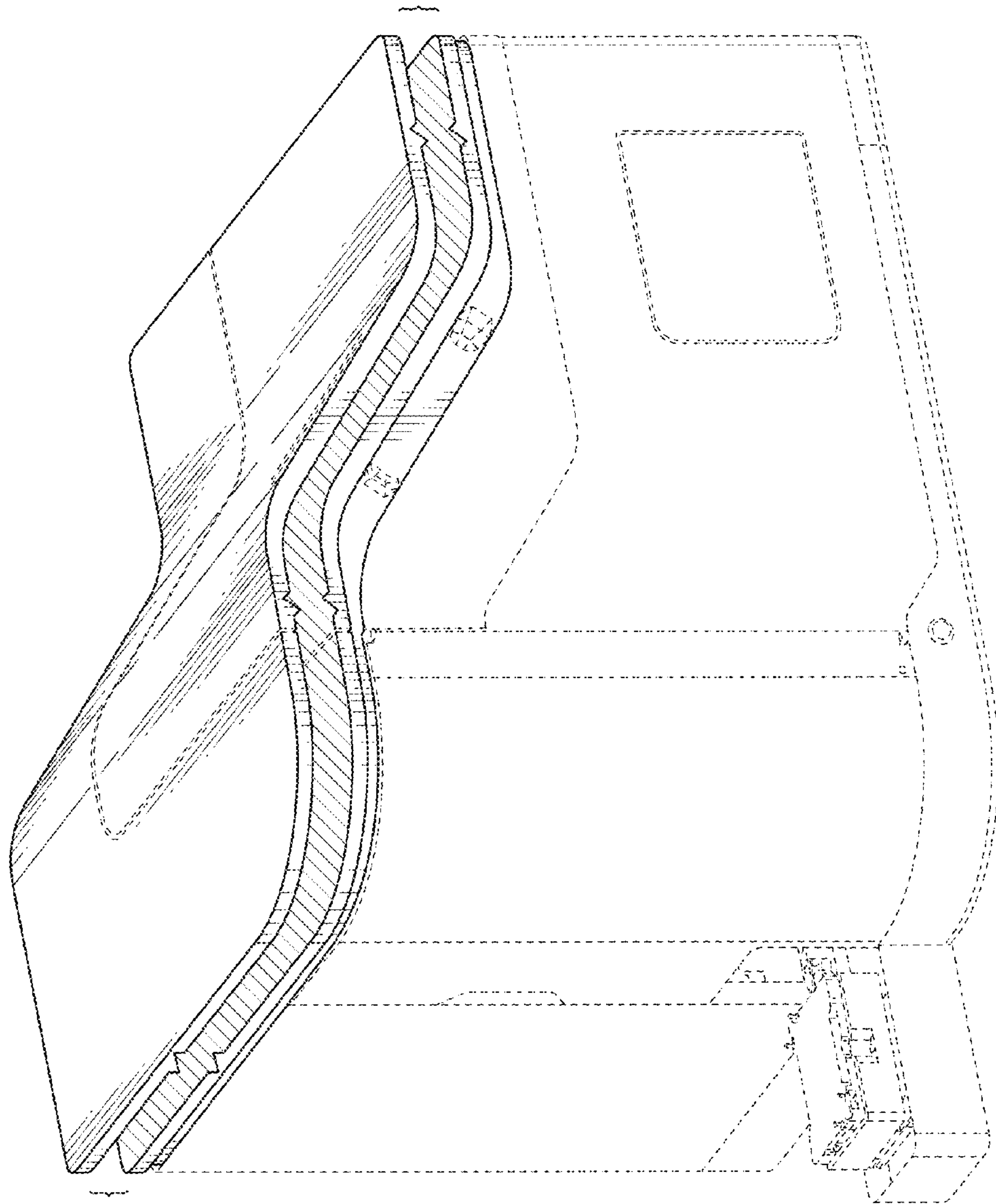


FIG. 8

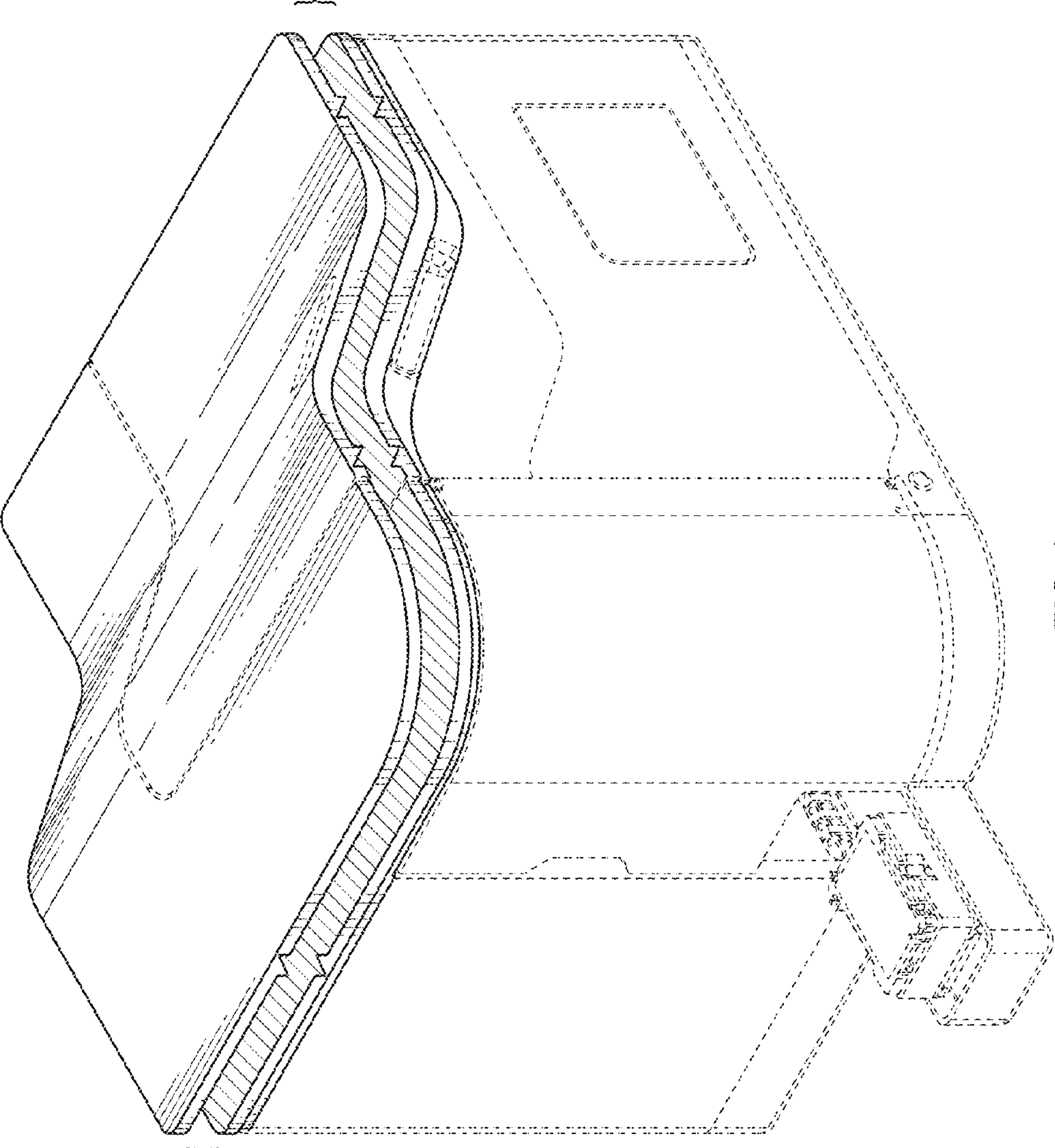


FIG. 9

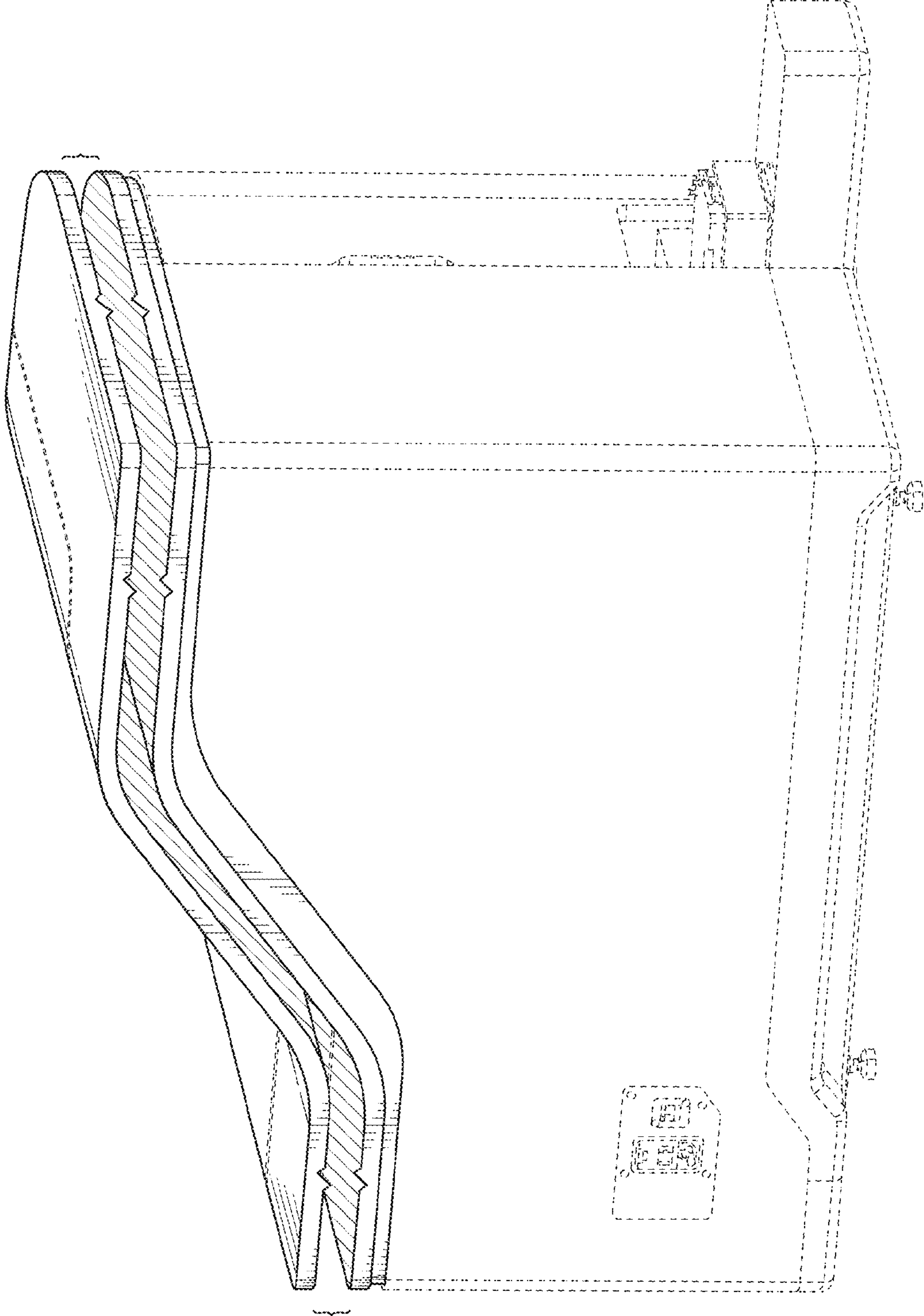


FIG. 10