



US00D722510S

(12) **United States Design Patent**
Silberberg

(10) **Patent No.:** **US D722,510 S**

(45) **Date of Patent:** **** Feb. 17, 2015**

(54) **FIVE VIAL LEVEL**

(71) Applicant: **Mark L. Silberberg**, Fallbrook, CA
(US)

(72) Inventor: **Mark L. Silberberg**, Fallbrook, CA
(US)

(**) Term: **14 Years**

(21) Appl. No.: **29/471,076**

(22) Filed: **Oct. 28, 2013**

(51) **LOC (10) Cl.** **10-04**

(52) **U.S. Cl.**
USPC **D10/69**

(58) **Field of Classification Search**
CPC G01C 9/18; G01C 9/24; G01C 9/26;
G01C 9/28; G01C 9/32; G01C 9/34
USPC D10/69; 33/365, 366.11-366.27,
33/367-391
See application file for complete search history.

(56) **References Cited**

U.S. PATENT DOCUMENTS

1,552,371	A *	9/1925	Williams	33/376
3,584,212	A	6/1971	Hansen		
4,593,475	A	6/1986	Mayes		
D301,553	S	6/1989	Makofsky et al.		
D332,226	S	1/1993	Hutchins et al.		
D355,134	S	2/1995	Kennedy		
D371,309	S	7/1996	Webb		
D389,758	S	1/1998	Motamed		

D395,013	S	6/1998	Webb		
D405,018	S *	2/1999	Martin, Jr.	D10/69
D409,100	S	5/1999	Brimer		
D411,470	S	6/1999	Webb		
D473,479	S *	4/2003	Blair	D10/46.3
D504,834	S	5/2005	DeBoer et al.		
D538,186	S	3/2007	Silberberg		
D539,679	S	4/2007	Silberberg		
D590,280	S	4/2009	Allemand		
D597,871	S	8/2009	Liao		
D597,873	S	8/2009	Gofer		
D613,194	S	4/2010	Silberberg		
7,802,372	B1	9/2010	Silberberg		
7,946,045	B2	5/2011	Allemand		
D646,597	S	10/2011	Allemand		
8,061,051	B2	11/2011	Allemand		

* cited by examiner

Primary Examiner — Antoine D Davis

(74) *Attorney, Agent, or Firm* — James E. Brunton

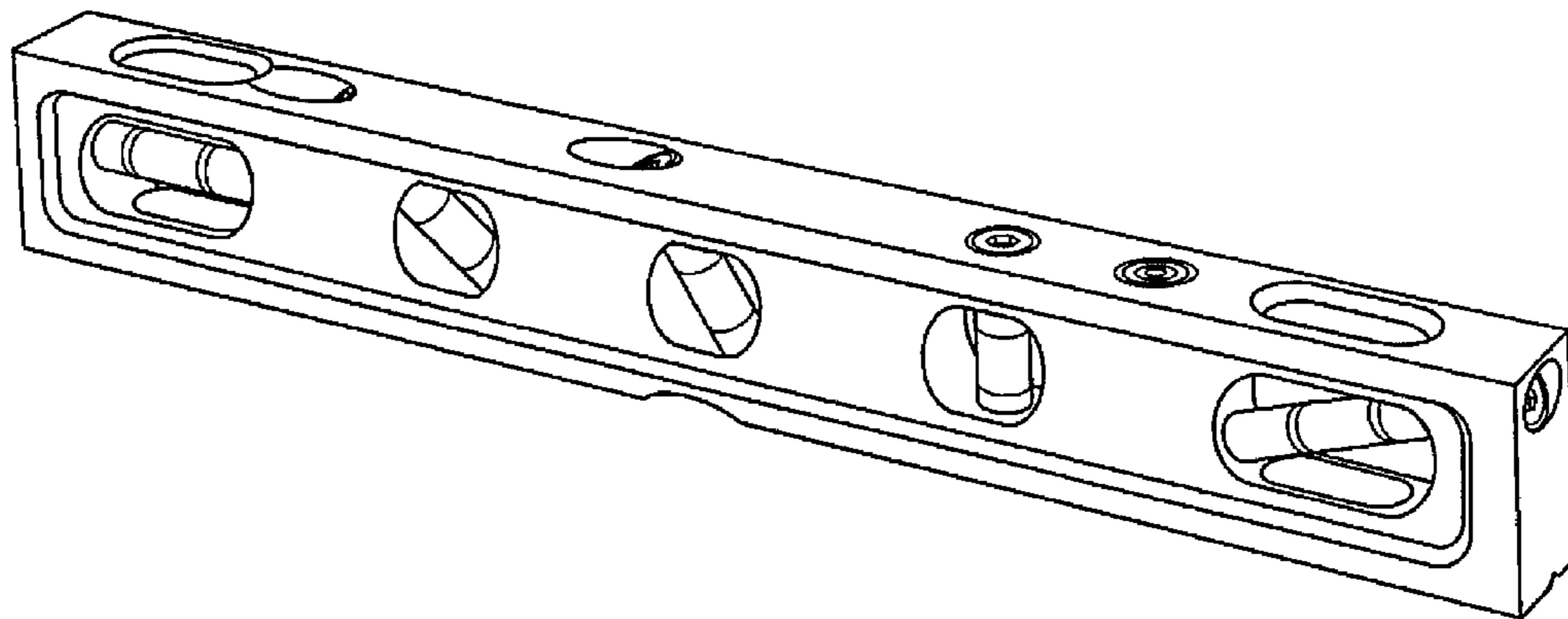
(57) **CLAIM**

The ornamental design for a “five vial level”, as shown and described.

DESCRIPTION

FIG. 1 is a perspective view of a “five vial level” showing my new design;
FIG. 2 is a right side view thereof;
FIG. 3 is a right end view thereof;
FIG. 4 is a left end view thereof;
FIG. 5 is a top plan view thereof; and,
FIG. 6 is a bottom plan view thereof.

1 Claim, 2 Drawing Sheets



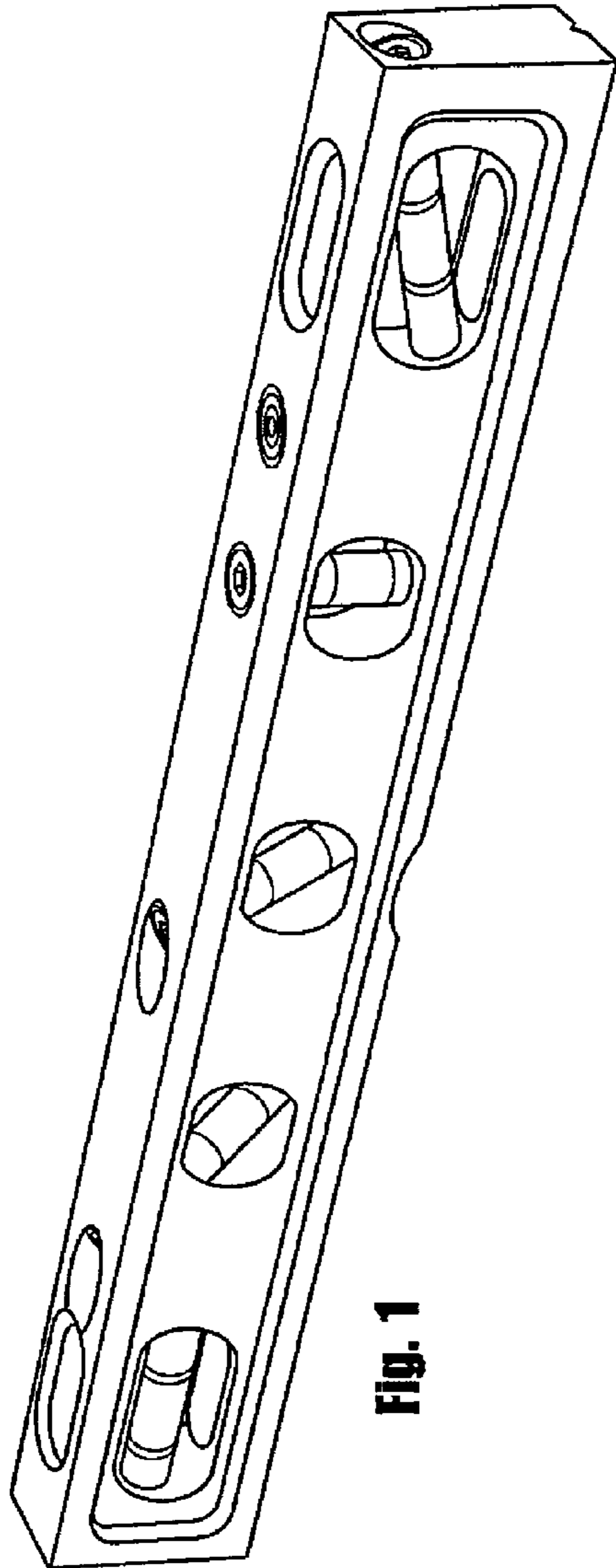


Fig. 1

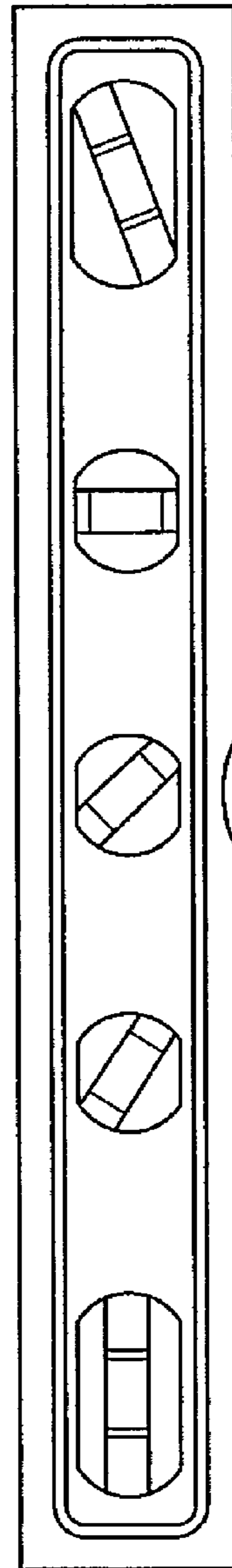


Fig. 2

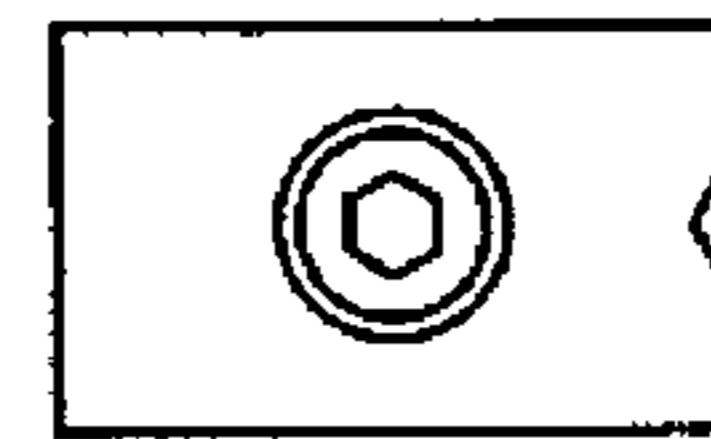


Fig. 3



Fig. 4

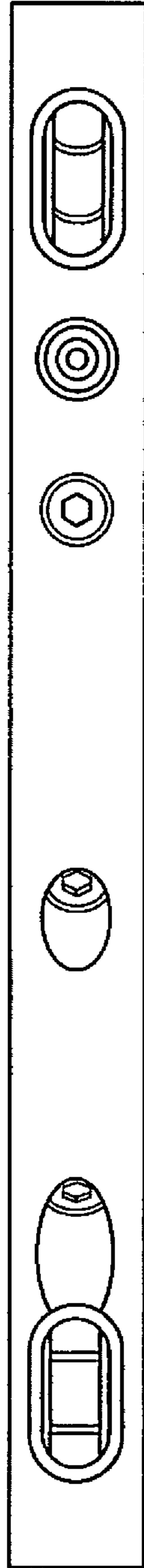


Fig. 5

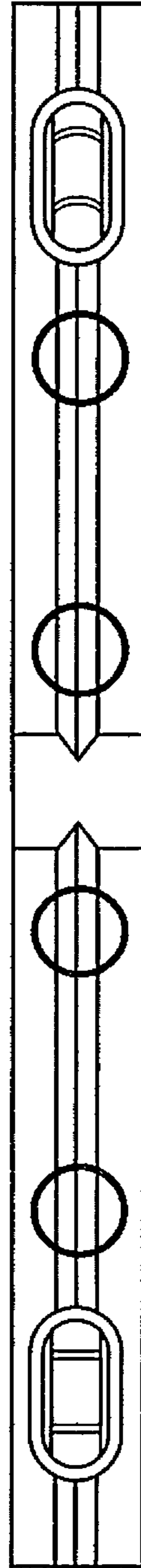


Fig. 6