



US00D722504S

(12) **United States Design Patent**
Fleischhacker et al.

(10) **Patent No.:** **US D722,504 S**

(45) **Date of Patent:** **** Feb. 17, 2015**

(54) **CONTAINER BODY PORTION**

(75) Inventors: **Kyle Fleischhacker**, Brownstown, MI (US); **James J. Miller**, Barberton, OH (US)

(73) Assignee: **Plastipak Packaging, Inc.**, Plymouth, MI (US)

(**) Term: **14 Years**

(21) Appl. No.: **29/427,773**

(22) Filed: **Jul. 23, 2012**

(51) **LOC (10) Cl.** **09-01**

(52) **U.S. Cl.**
USPC **D9/538**

(58) **Field of Classification Search**

USPC D9/537, 538, 539, 540, 516, 541, 545,
D9/546, 549, 550, 553; 215/381-384;
220/606, 670, 674, 675

See application file for complete search history.

(56) **References Cited**

U.S. PATENT DOCUMENTS

D561,596 S *	2/2008	Hyde et al.	D9/538
D586,224 S *	2/2009	Darr et al.	D9/538
D606,869 S *	12/2009	Hackl	D9/551
D613,170 S *	4/2010	Lewis et al.	D9/516
D643,723 S *	8/2011	Snyder et al.	D9/516

D661,194 S *	6/2012	Gardela	D9/516
D661,196 S *	6/2012	Heisner et al.	D9/538
D662,823 S *	7/2012	Coley et al.	D9/516
D688,557 S *	8/2013	Caporin et al.	D9/516
2013/0134125 A1 *	5/2013	Pedmo	215/381

* cited by examiner

Primary Examiner — Stella Reid

Assistant Examiner — Khawaja Anwar

(74) *Attorney, Agent, or Firm* — Mario A. Tabone; Plastipak Packaging, Inc.

(57) **CLAIM**

The ornamental design for a container body portion, as shown and described.

DESCRIPTION

FIG. 1 is a top-front-right perspective view of the claimed design;

FIG. 2 is a front elevational view thereof;

FIG. 3 is a rear elevational view thereof;

FIG. 4 is a right elevational view thereof;

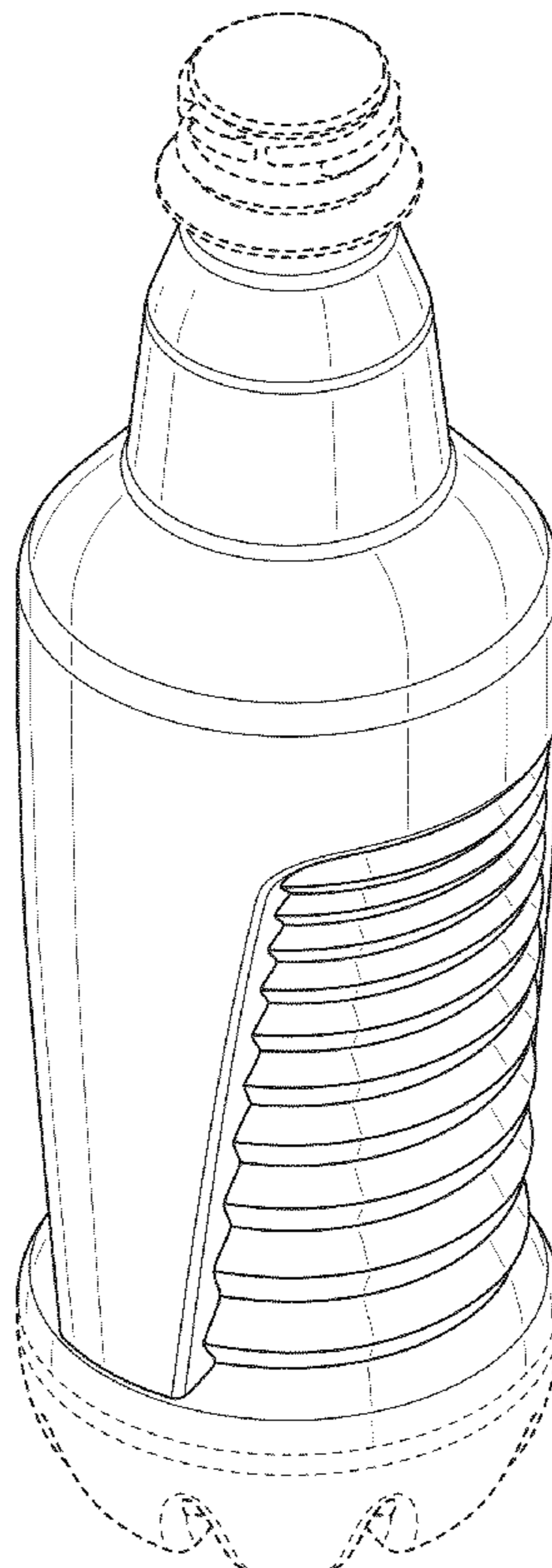
FIG. 5 is a left elevational view thereof;

FIG. 6 is a top plan view thereof; and,

FIG. 7 is a bottom plan view thereof.

The broken lines in the drawings show non-claimed subject matter only and form no part of the claimed design.

1 Claim, 6 Drawing Sheets



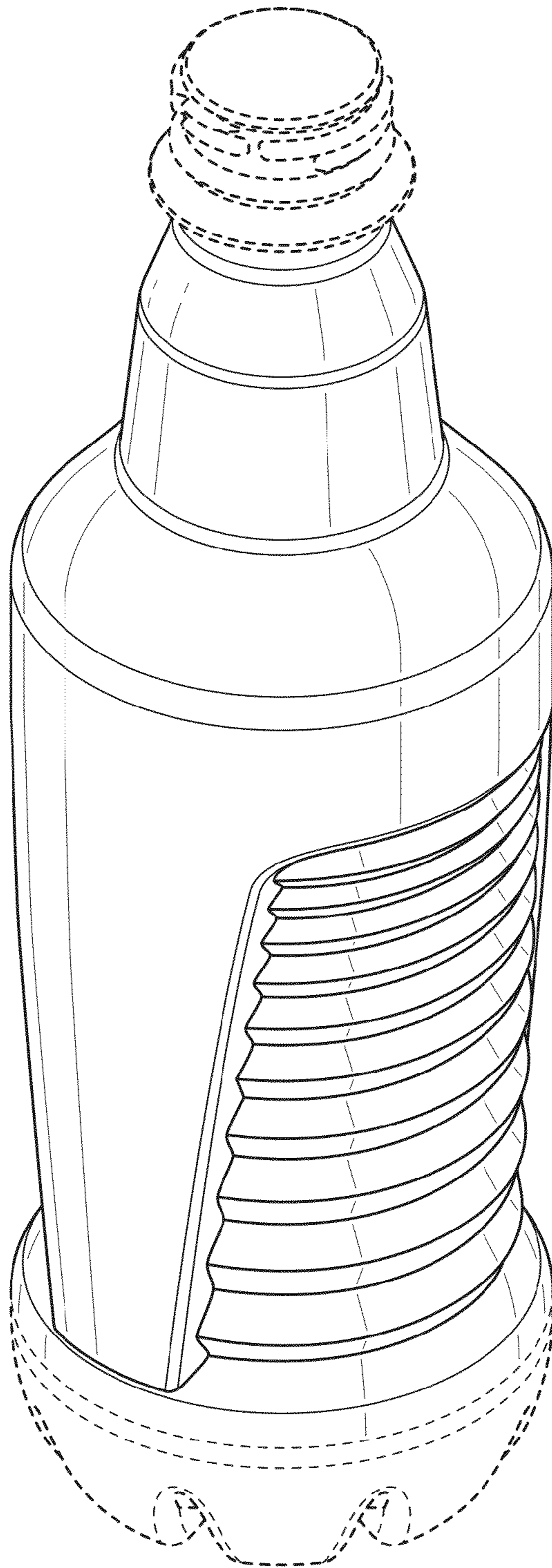


FIG. 1

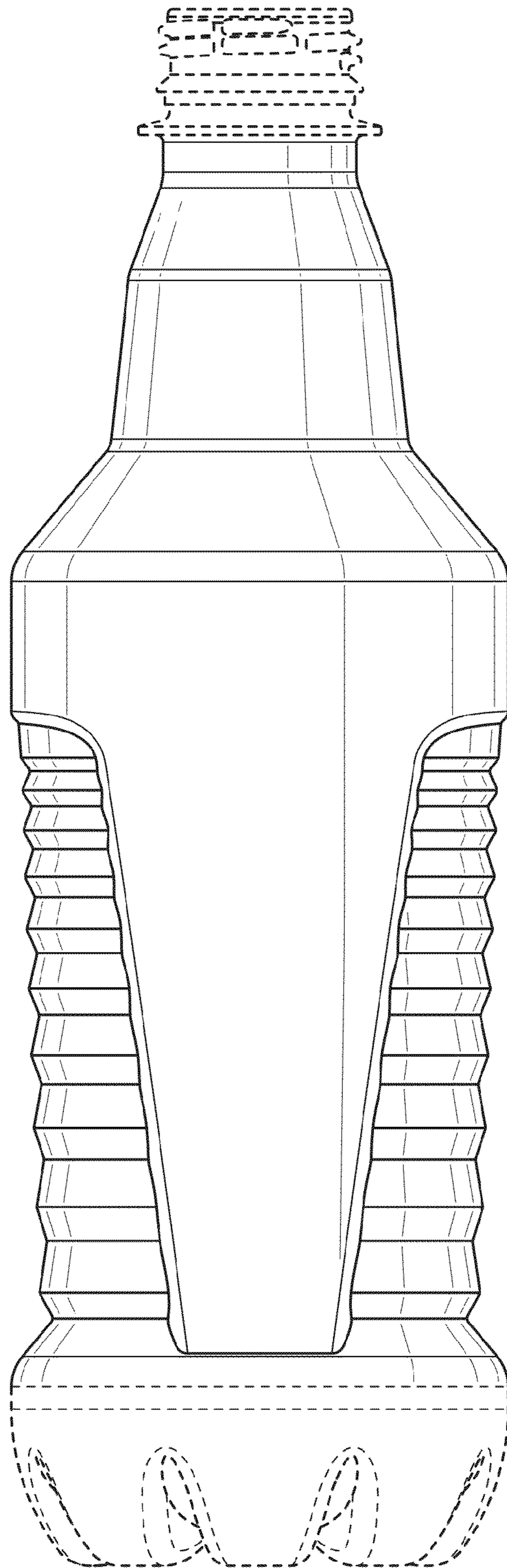


FIG. 2

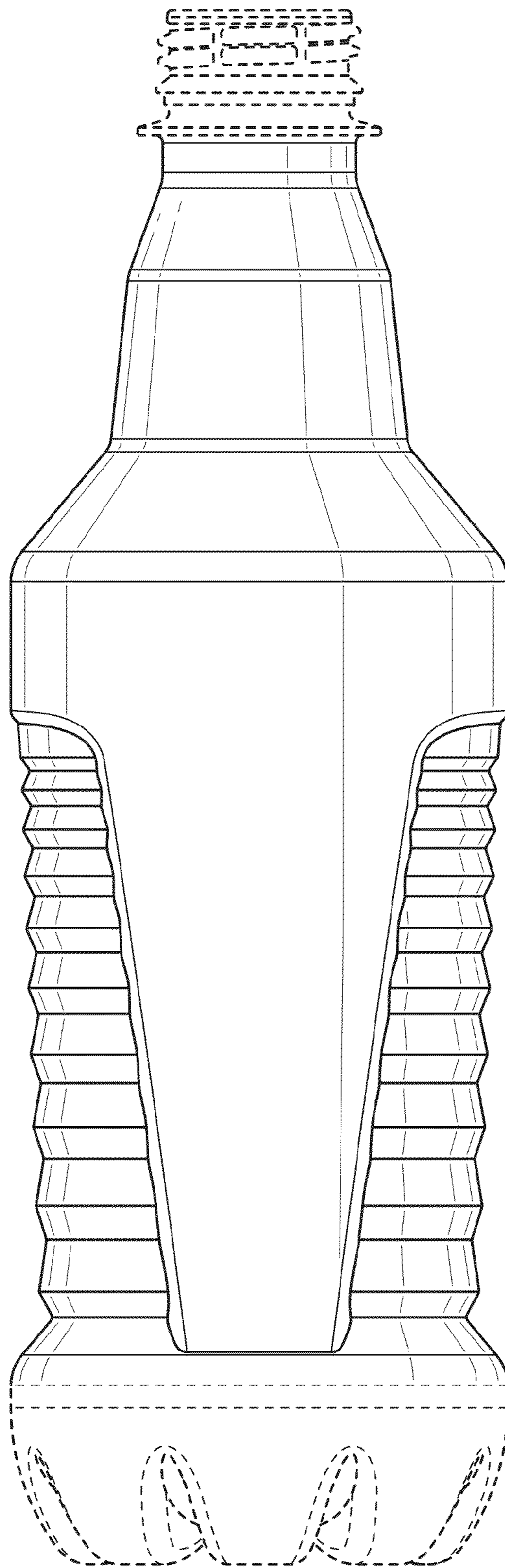


FIG. 3

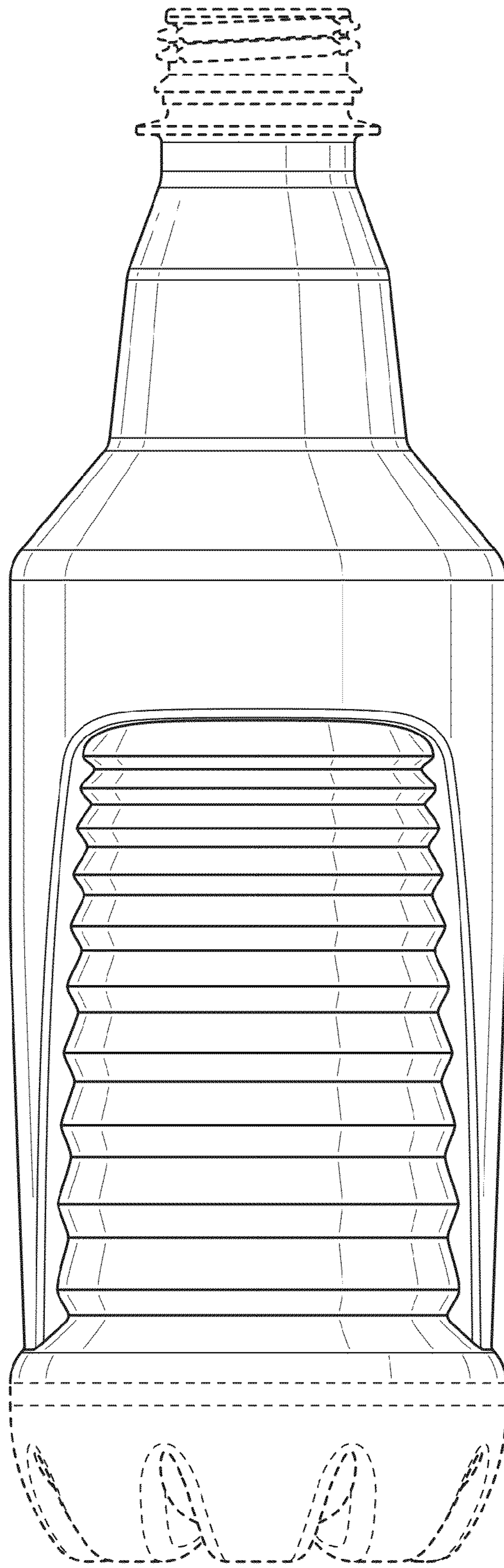


FIG. 4

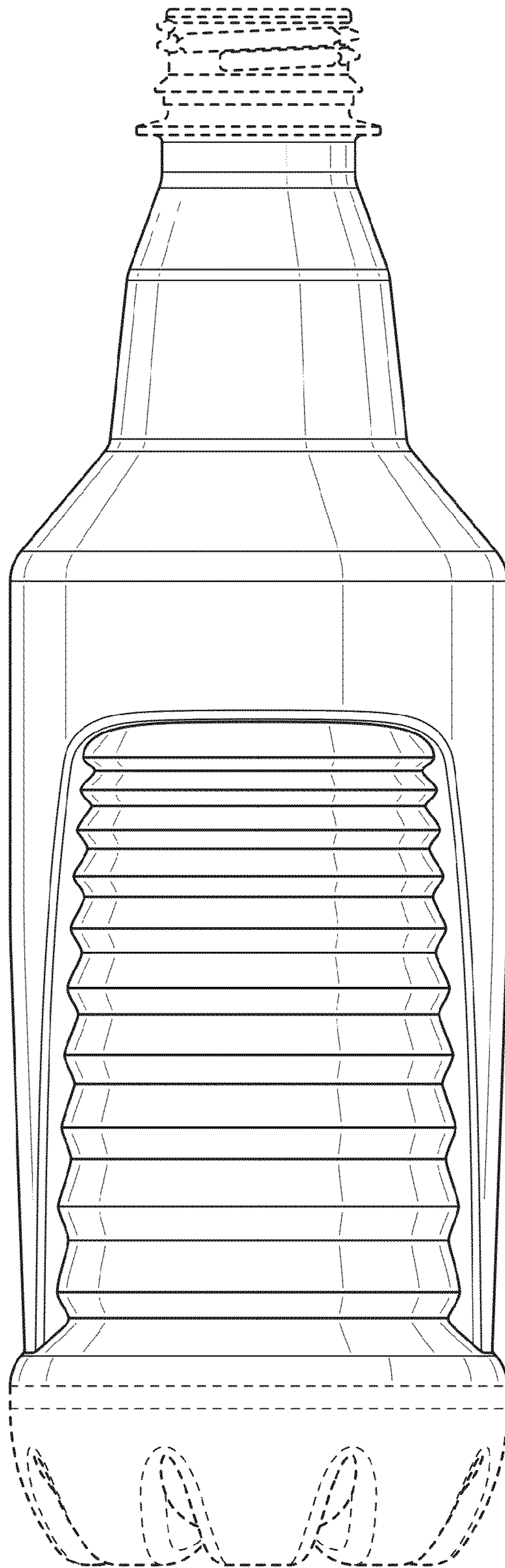


FIG. 5

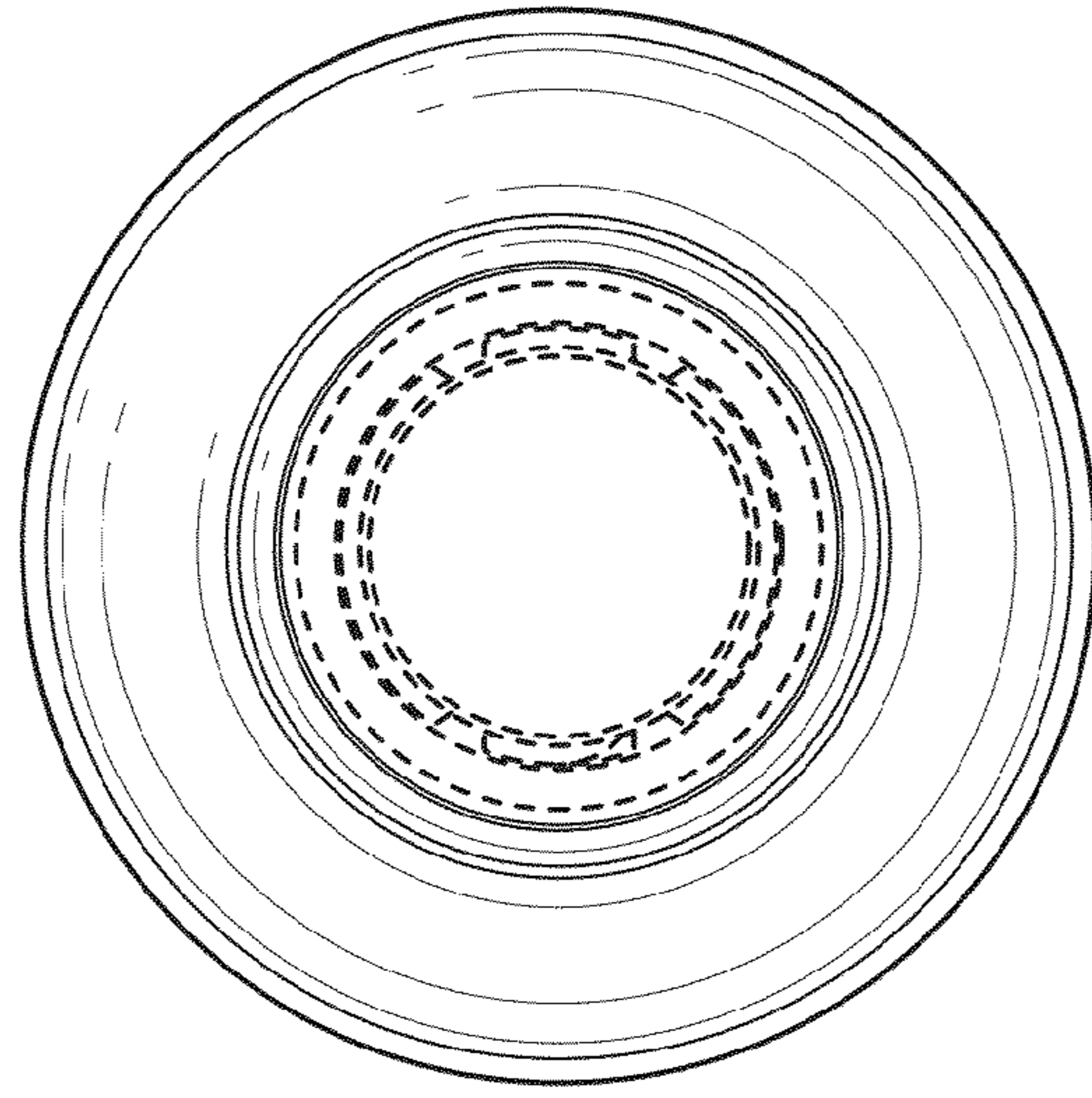


FIG. 6

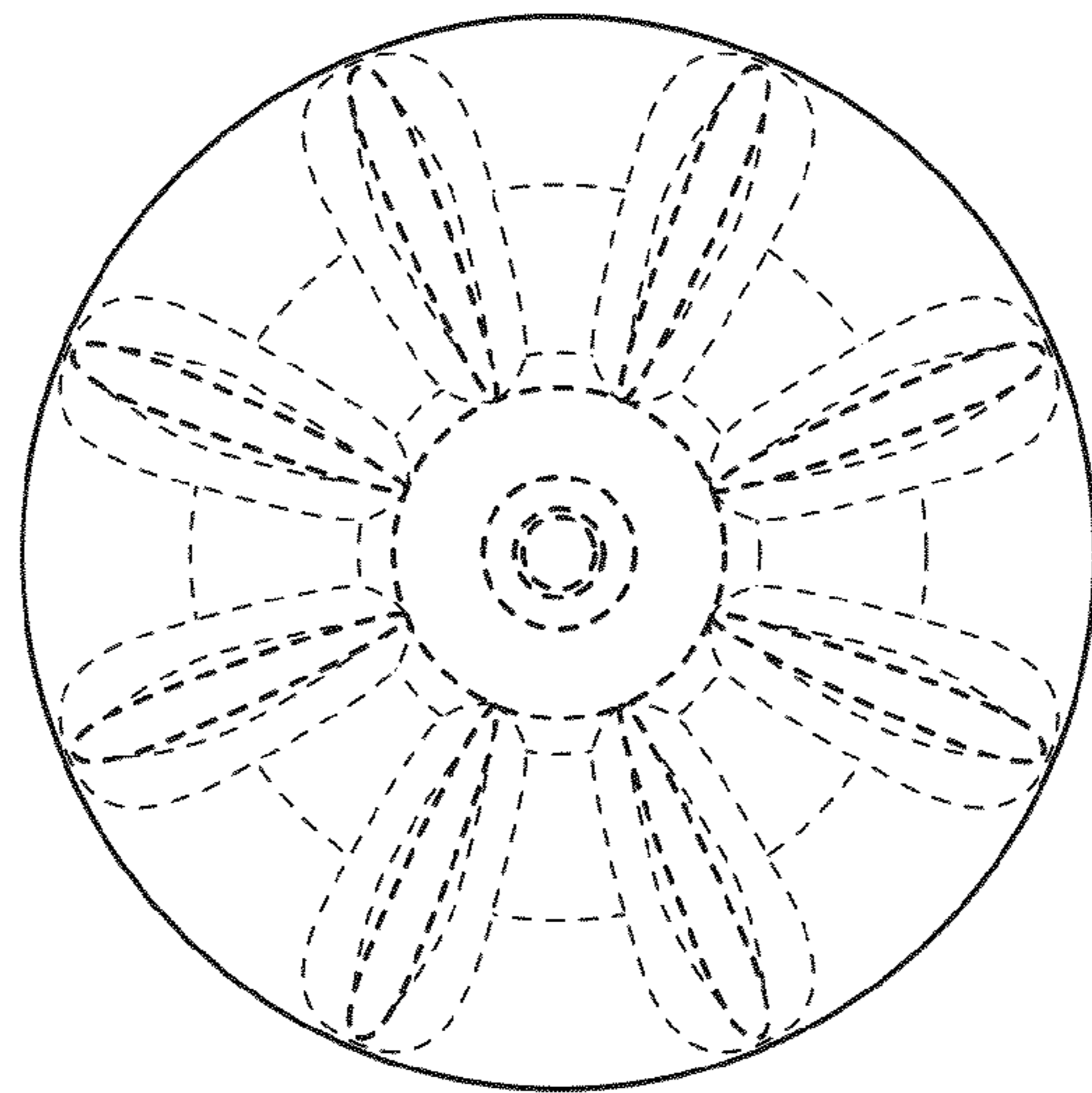


FIG. 7