



US00D722503S

(12) **United States Design Patent**
Smith et al.

(10) **Patent No.:** **US D722,503 S**
(45) **Date of Patent:** **** Feb. 17, 2015**

(54) **BOTTLE**

(71) Applicants: **Robert Smith**, Ventura, CA (US); **James T. Sener**, Glastonbury, CT (US)

(72) Inventors: **Robert Smith**, Ventura, CA (US); **James T. Sener**, Glastonbury, CT (US)

(**) Term: **14 Years**

(21) Appl. No.: **29/479,880**

(22) Filed: **Jan. 21, 2014**

(51) **LOC (10) Cl.** **09-01**

(52) **U.S. Cl.**
USPC **D9/516; D9/520**

(58) **Field of Classification Search**
CPC B65D 1/00; B65D 1/0261; B65D 1/0284;
B65D 23/00; B65D 2501/00
USPC D9/516, 520, 529–530, 537–540, 549,
D9/558–559, 574–575; 215/370–373, 379,
215/381–382; 220/600, 604–605, 608–609,
220/660, 675

See application file for complete search history.

(56) **References Cited**

U.S. PATENT DOCUMENTS

D143,757 S * 2/1946 Reinecke D7/391
2,541,065 A * 2/1951 Jabour 220/581
D209,951 S * 1/1968 Smith D9/500

D225,975 S * 1/1973 Danjczek D9/520
D230,470 S * 2/1974 Frohn D9/520
D306,406 S * 3/1990 Pierce et al. D7/300
D307,112 S * 4/1990 Huck D23/225
D311,240 S * 10/1990 Born D23/225
D327,528 S * 6/1992 Sears et al. D23/225
D347,047 S * 5/1994 Wood D23/225
D431,279 S * 9/2000 Spriegel D23/225
D533,783 S * 12/2006 Kliger et al. D9/519
D541,046 S * 4/2007 Roesler D3/293
D611,822 S * 3/2010 Rajani et al. D9/520

* cited by examiner

Primary Examiner — Ian Simmons

Assistant Examiner — Dana L Meyrow

(74) *Attorney, Agent, or Firm* — Klarquist Sparkman, LLP

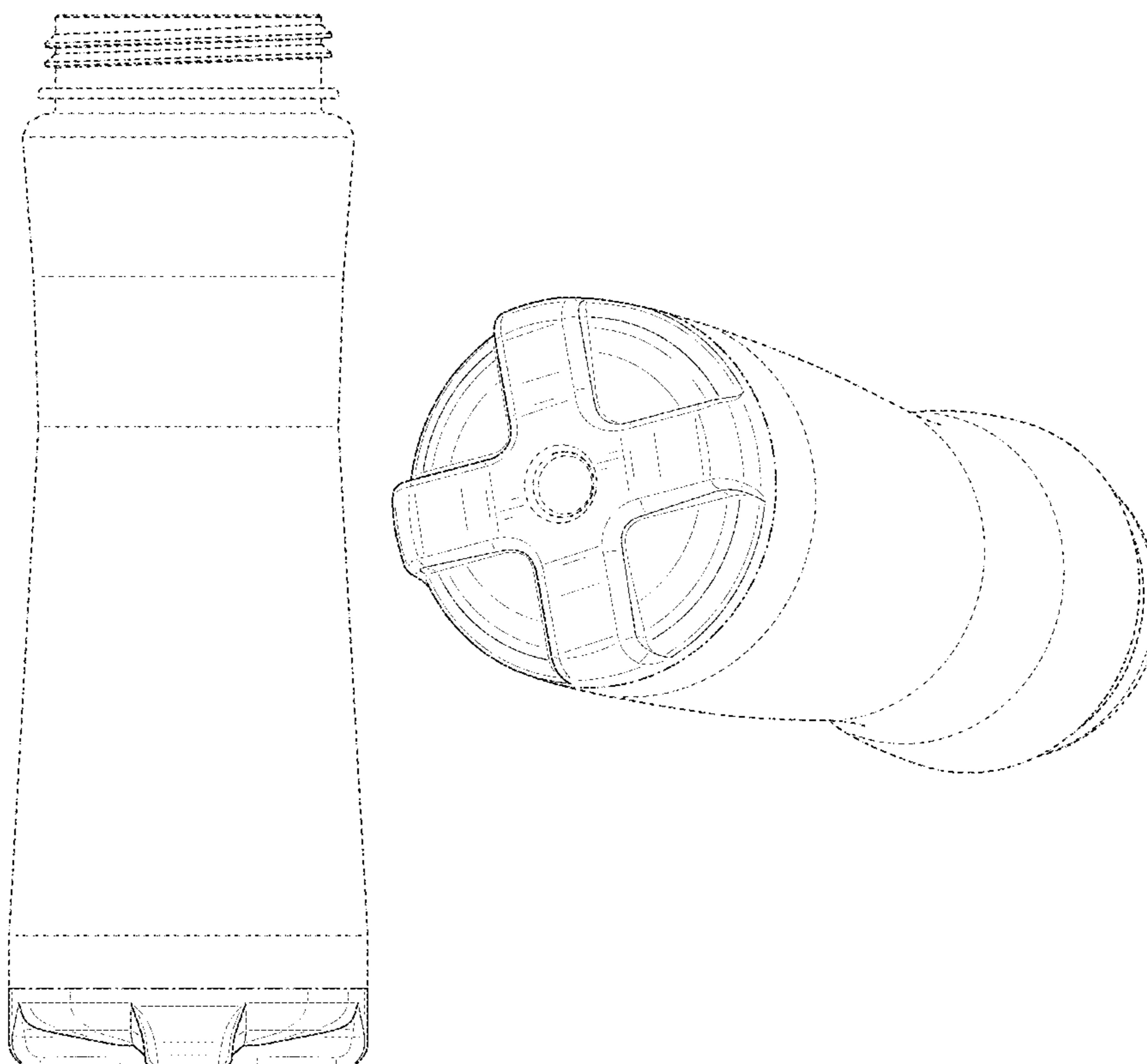
(57) **CLAIM**

We claim the ornamental design for a bottle, as shown and described.

DESCRIPTION

FIG. 1 is a bottom plan view of a bottle;
FIG. 2 is a side elevation view thereof;
FIG. 3 is a bottom, side perspective view thereof; and,
FIG. 4 is another bottom side perspective view thereof.
The dot-dash broken lines in the drawings define the bounds of the claim and form no part thereof.

1 Claim, 4 Drawing Sheets



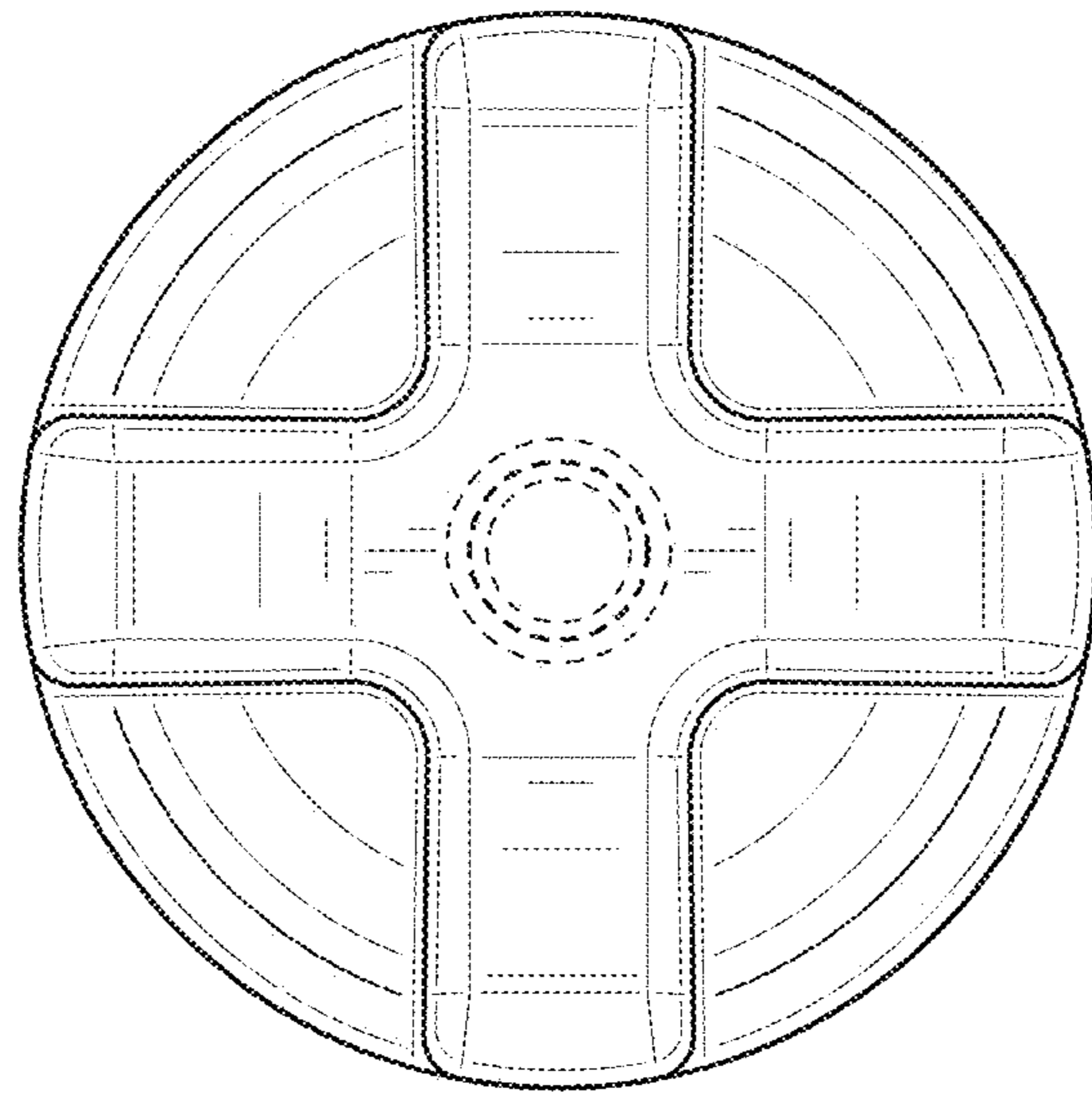


FIG. 1

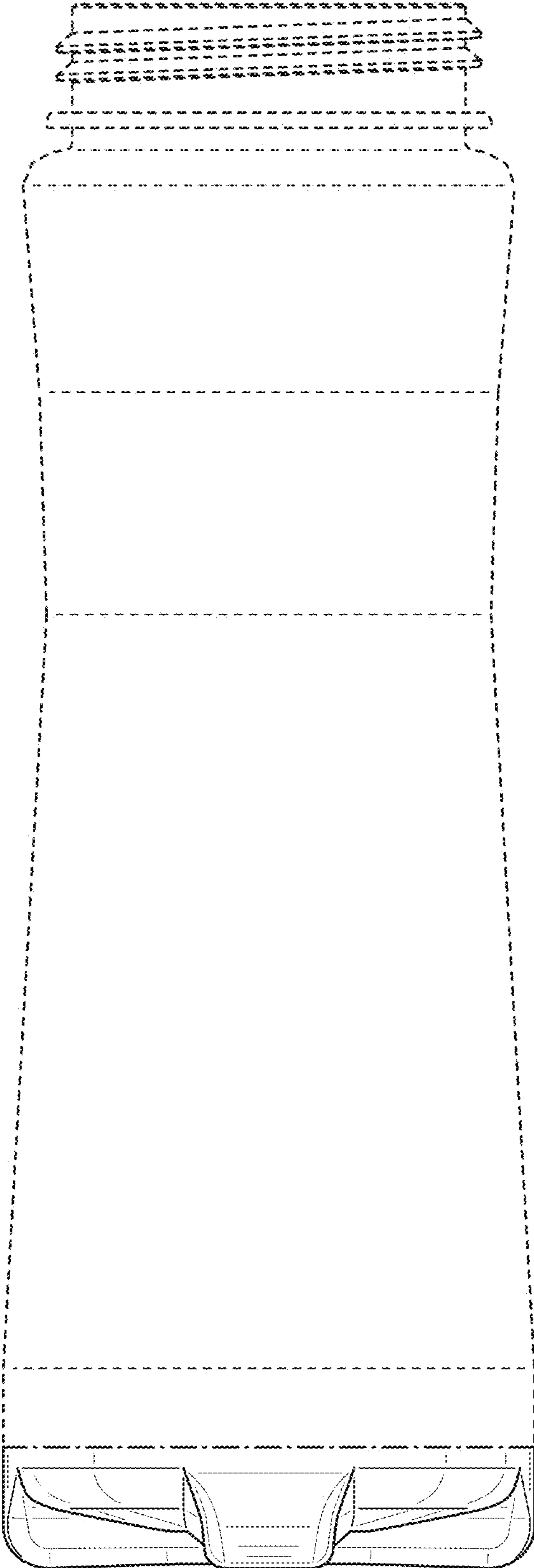


FIG. 2

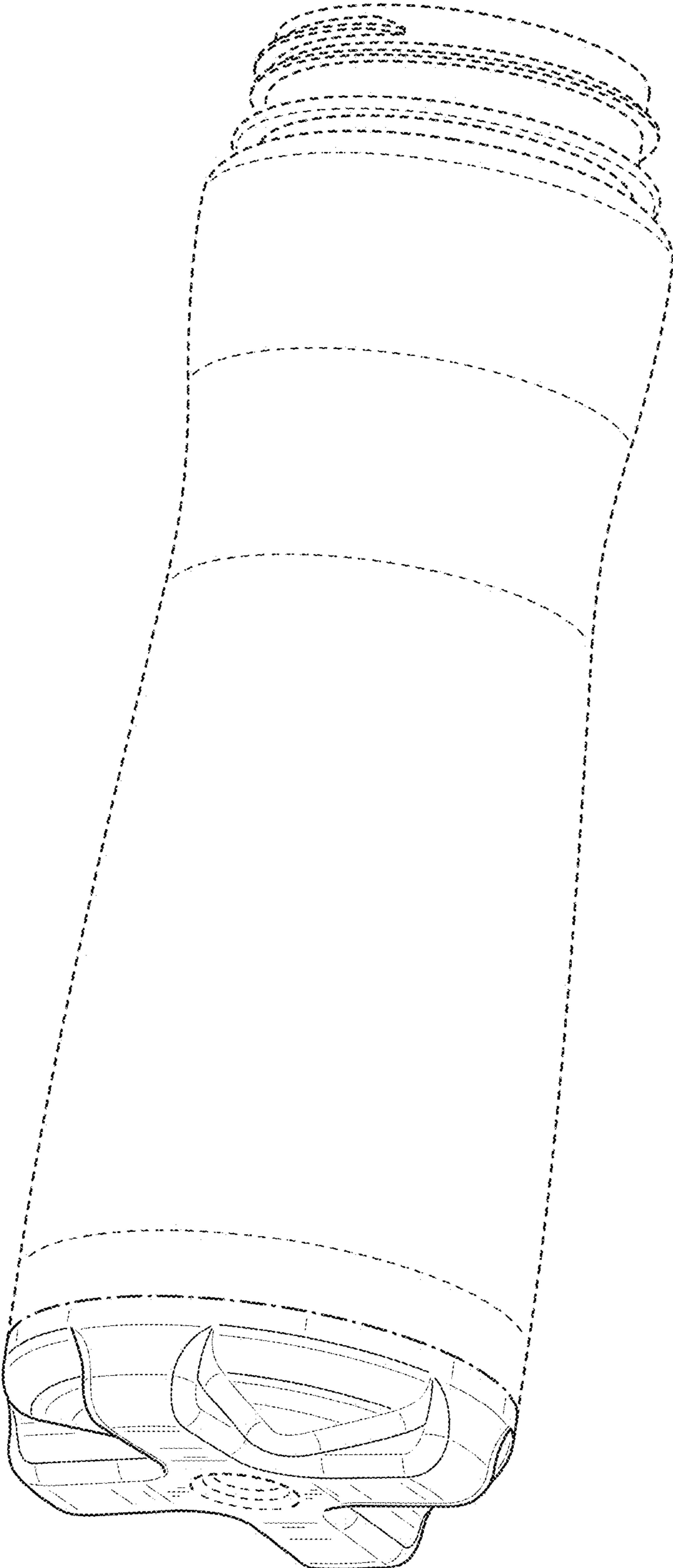


FIG. 3

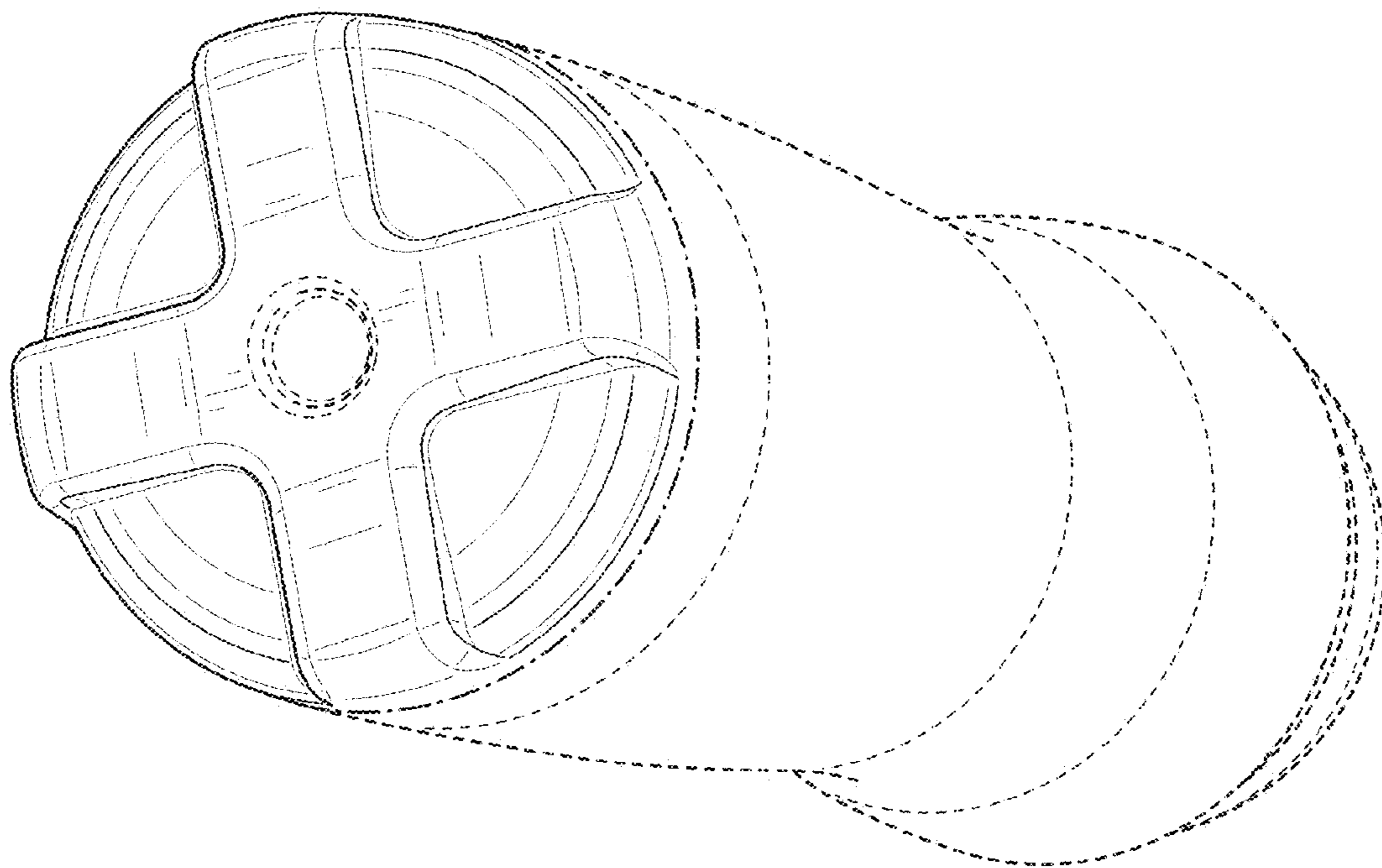


FIG. 4