



US00D722498S

(12) **United States Design Patent**  
**Fleming**

(10) **Patent No.:** **US D722,498 S**

(45) **Date of Patent:** **\*\* Feb. 17, 2015**

(54) **LID FOR A BEVERAGE CONTAINER**

4,768,674 A 9/1988 Prescott  
D299,010 S 12/1988 Wall  
4,938,377 A 7/1990 Jarvis

(71) Applicant: **Douglas H. Fleming**, Bainbridge Island, WA (US)

(Continued)

(72) Inventor: **Douglas H. Fleming**, Bainbridge Island, WA (US)

FOREIGN PATENT DOCUMENTS

CA 2212228 7/2002  
CA 2635219 7/2008

(73) Assignee: **Vaporpath, Inc.**, Bainbridge Island, WA (US)

(Continued)

(\*\*) Term: **14 Years**

OTHER PUBLICATIONS

(21) Appl. No.: **29/476,072**

“The Viora Lid Finally Solves The Problem of Terrily Designed Disposable Coffee Cup Lids”, WallStreetInsanity.com, pp. 1-4 of 11 pages attached. Published May 15, 2014 online at <http://wallstreetinsanity.com/the-viora-lid-finally-solves-the-problem-of-terribly-designed-disposable-coffee-cup-lids/>.\*

(22) Filed: **Dec. 10, 2013**

(Continued)

(51) **LOC (10) Cl.** ..... **09-07**

(52) **U.S. Cl.**

USPC ..... **D9/447**

(58) **Field of Classification Search**

CPC ..... B65D 41/16; B65D 47/00

USPC ..... D9/435, 438, 440, 445, 447, 449, 452,

D9/453, 454, 499, 600; D7/392.1, 396.2;

220/254.1, 254.3-254.9, 254, 266,

220/268, 709, 711, 712, 713; 229/906.1

See application file for complete search history.

Primary Examiner — Robert M Spear

(74) *Attorney, Agent, or Firm* — R. Reams Goodloe, Jr.

(57)

**CLAIM**

The ornamental design for a lid for a beverage container, as shown and described.

**DESCRIPTION**

FIG. 1 is a perspective view of a lid for a beverage container showing the novel design.

FIG. 2 is a front side view thereof.

FIG. 3 is a back side view thereof.

FIG. 4 is a left side view thereof.

FIG. 5 is a right side view thereof.

FIG. 6 is a top plan view thereof; and,

FIG. 7 is a bottom plan view thereof.

In each of the drawing figures, surface shading is used to clearly show the character and contour of all surfaces of the 3-dimensional aspects of the design, and form no part of the claimed design.

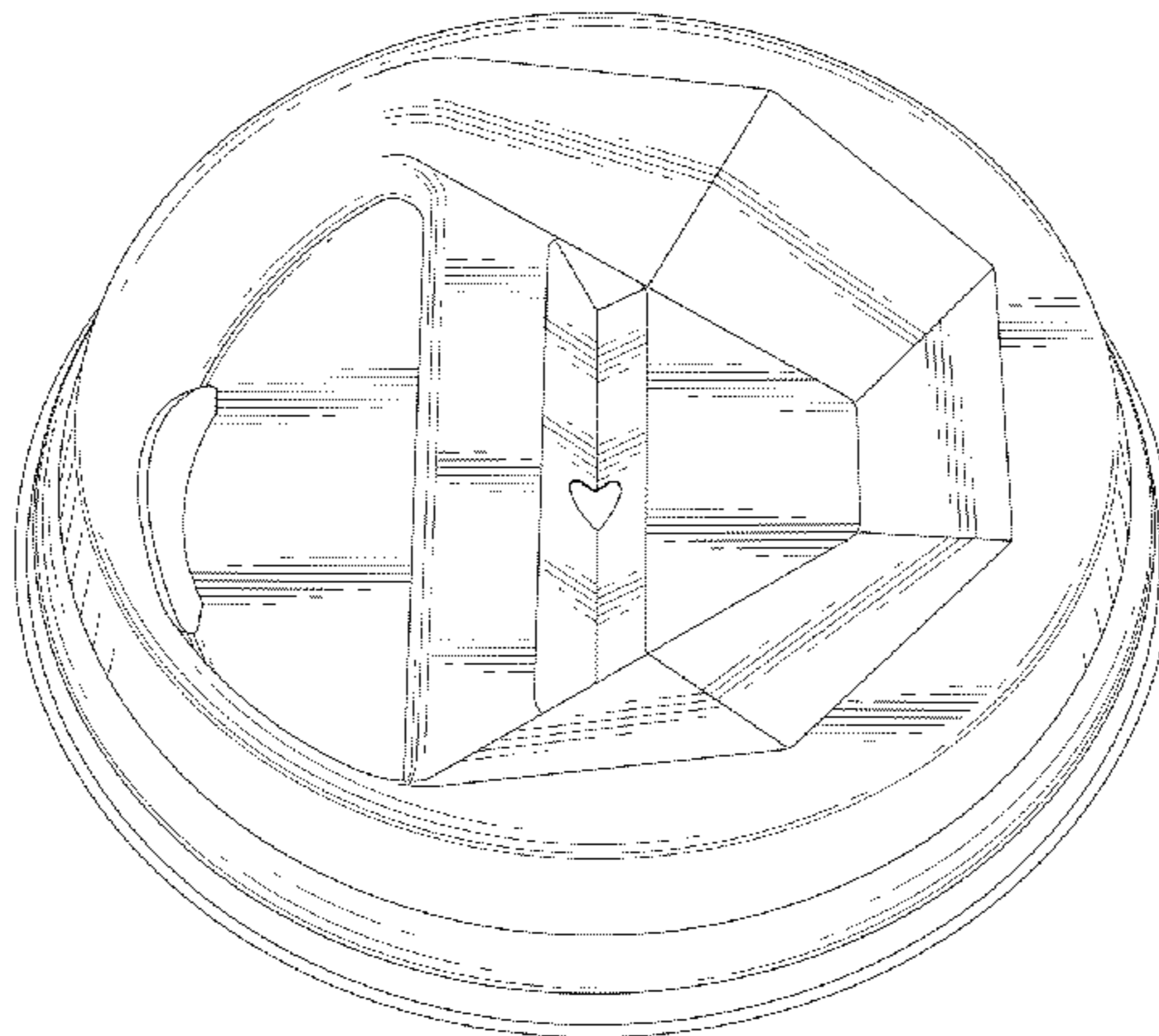
A lid for a beverage container, useful for providing enhanced aroma from a beverage, such as coffee or tea.

(56) **References Cited**

U.S. PATENT DOCUMENTS

2,358,600	A	9/1944	Selten
2,362,354	A	11/1944	Clovis
3,360,161	A	12/1967	Smith
3,400,855	A	9/1968	Alexander
3,868,043	A	2/1975	Freemyer
3,938,695	A	2/1976	Ruff
4,085,861	A	4/1978	Ruff
4,582,214	A	4/1986	Dart et al.
4,586,625	A	5/1986	Garrett
4,589,569	A	5/1986	Clements
4,609,124	A	9/1986	Malloy
4,619,372	A	10/1986	McFarland
D287,919	S	1/1987	Clements

**1 Claim, 3 Drawing Sheets**



(56)

References Cited

U.S. PATENT DOCUMENTS

4,986,437 A 1/1991 Farmer  
 5,111,961 A 5/1992 Van Melle  
 D345,673 S 4/1994 Dark  
 5,370,258 A 12/1994 Fair  
 5,398,843 A 3/1995 Warden et al.  
 5,540,350 A 7/1996 Lansky  
 5,542,670 A 8/1996 Morano  
 5,820,016 A 10/1998 Stropkay  
 5,894,952 A 4/1999 Mendenhall et al.  
 5,897,019 A 4/1999 Stropkay  
 5,988,426 A 11/1999 Stern  
 6,003,711 A 12/1999 Bilewitz  
 6,311,863 B1 11/2001 Fleming  
 6,375,033 B1 4/2002 Fleming  
 D458,844 S \* 6/2002 Shea ..... D9/447  
 6,419,105 B1 7/2002 Bruce et al.  
 6,571,973 B1 6/2003 Tripsianes  
 6,644,490 B2 11/2003 Clarke  
 D485,758 S 1/2004 Clarke et al.  
 D510,266 S \* 10/2005 Walsh et al. .... D9/447  
 7,100,790 B2 9/2006 Dark  
 D539,649 S 4/2007 Smith et al.  
 D539,650 S 4/2007 Smith et al.  
 D540,165 S 4/2007 Hollis et al.  
 D546,180 S 7/2007 Jowett et al.  
 D547,605 S 7/2007 Edelstein et al.  
 7,275,652 B2 10/2007 Morris et al.  
 D592,056 S 5/2009 Tedford, Jr.  
 D592,952 S 5/2009 Hundley et al.  
 7,591,393 B2 9/2009 Crudgington, Jr.  
 D632,174 S 2/2011 Charbonnet et al.  
 D634,192 S 3/2011 Mueller  
 D635,855 S 4/2011 Smith  
 D637,079 S 5/2011 Brown et al.  
 7,959,029 B2 6/2011 Whitaker et al.  
 D655,161 S 3/2012 Daniel  
 D655,162 S 3/2012 Daniel

D656,023 S 3/2012 Baker et al.  
 D675,524 S \* 2/2013 Bickert et al. .... D9/447  
 D690,988 S 10/2013 Audette  
 D691,847 S 10/2013 Beckman  
 8,616,405 B2 12/2013 French et al.  
 D708,515 S \* 7/2014 Fleming ..... D9/435  
 D709,366 S \* 7/2014 Fleming ..... D9/435  
 D709,367 S \* 7/2014 Fleming ..... D9/435  
 D711,226 S \* 8/2014 Fleming ..... D9/435  
 2007/0114236 A1 5/2007 Shiffer et al.  
 2008/0011762 A1 1/2008 Boone  
 2008/0061069 A1 3/2008 Edelstein et al.  
 2009/0266829 A1 10/2009 Bailey  
 2009/0294459 A1 12/2009 Hovsepian et al.  
 2009/0294460 A1 12/2009 Hovsepian et al.  
 2011/0114655 A1 5/2011 Bailey  
 2011/0266294 A1 11/2011 Charbonnet et al.

FOREIGN PATENT DOCUMENTS

GB 2307633 A 6/1997  
 WO WO 96/39068 12/1996  
 WO WO 2009/008587 A1 1/2009  
 WO WO 2009/036426 A2 3/2009

OTHER PUBLICATIONS

Louise Harpman & Scott Specht, Cabinet Magazine, Inventory/Peel, Pucker, Pinch, Puncture. Issue 19, Chance Fall 2005 (Sep. 2005). <http://www.cabinetmagazine.org/issues/I9/harpman.php> (4 pages).  
 Nicola, Edible Geography, The Evolution of Lids. (May 9, 2011), <http://www.ediblegeography.com/the-evolution-of-lids/> (7 pages).  
 Date unknown. Printed Nov. 15, 2013. Product Design (physical goods): Why is the Solo Traveler the dominant coffee cup lid? <http://www.quora.com/Product-Design-physical-goods/Why-is-the-Solo-Traveler-the-dominant-coffee-cup-lid/> (7 pages).  
 US 6,003,721, 12/1999, Fleming (withdrawn)

\* cited by examiner

FIG. 1

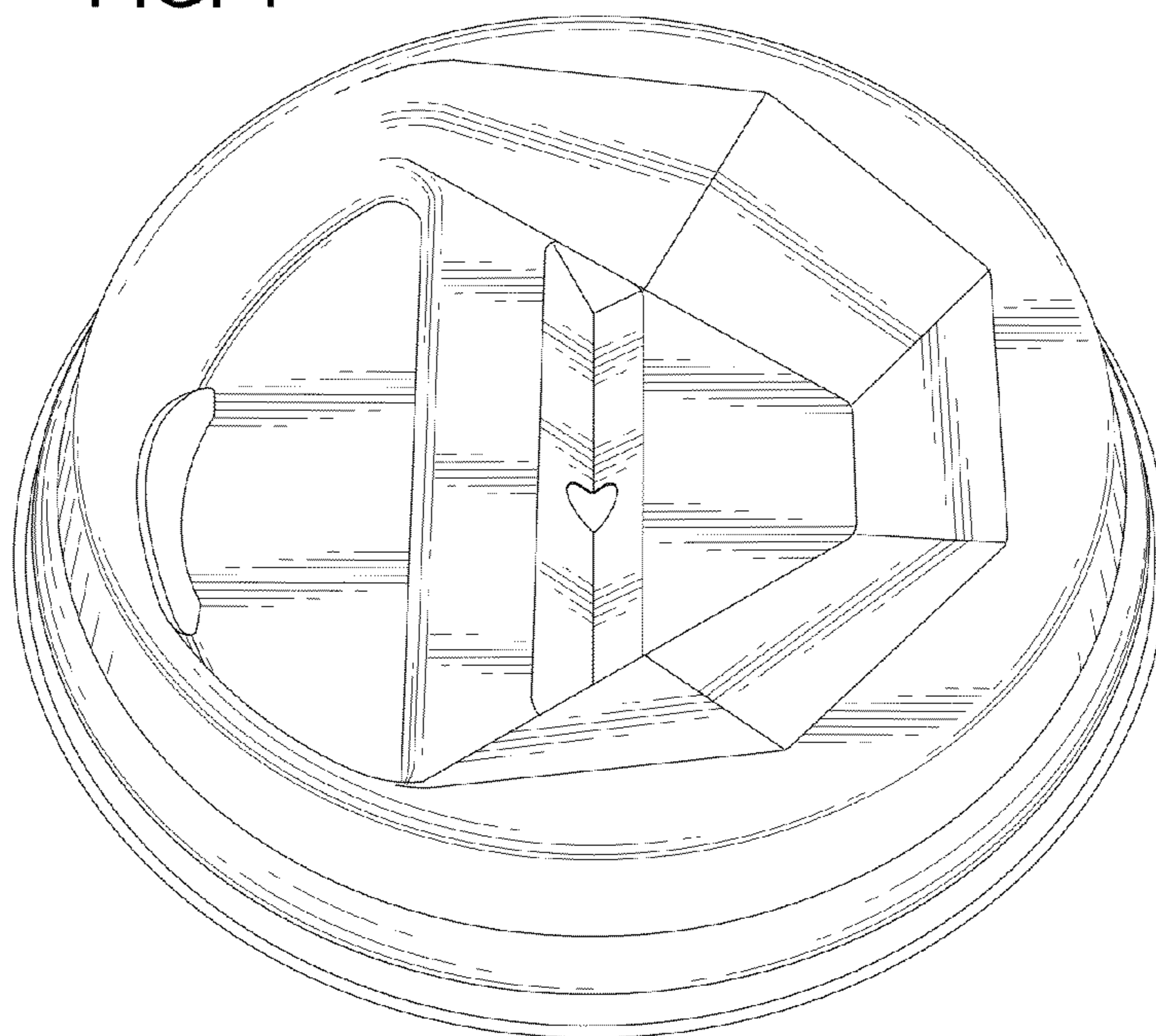


FIG. 2

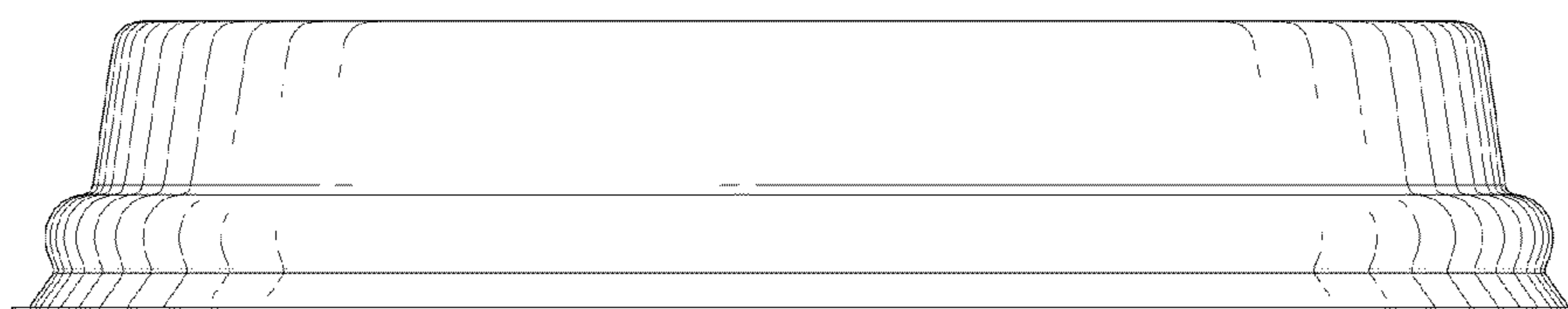


FIG. 3

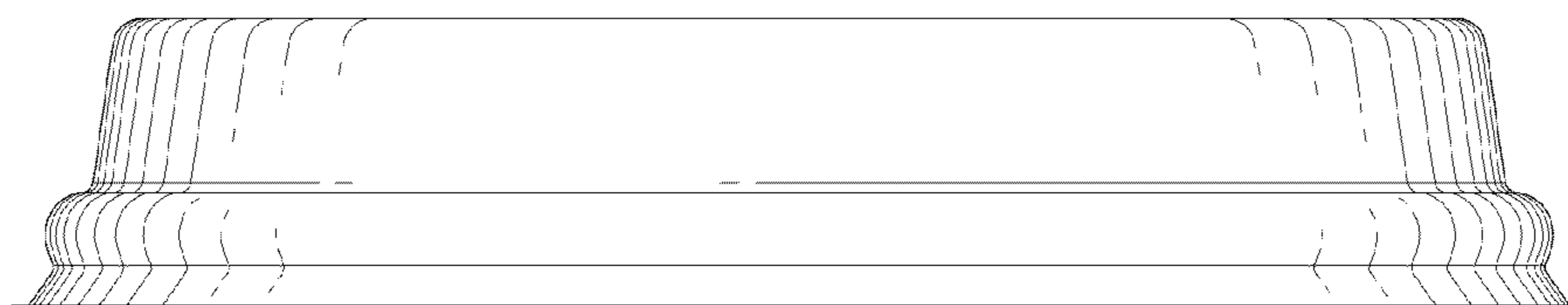




FIG. 4

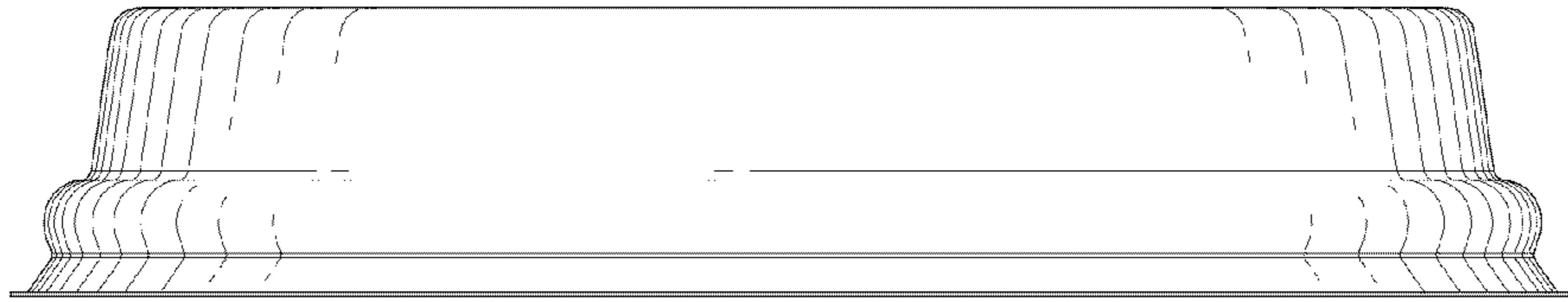


FIG. 5

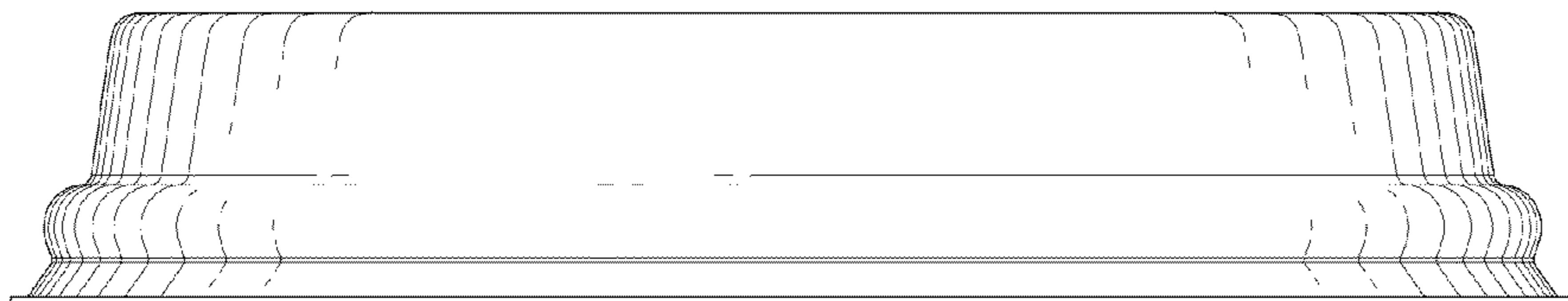


FIG. 6

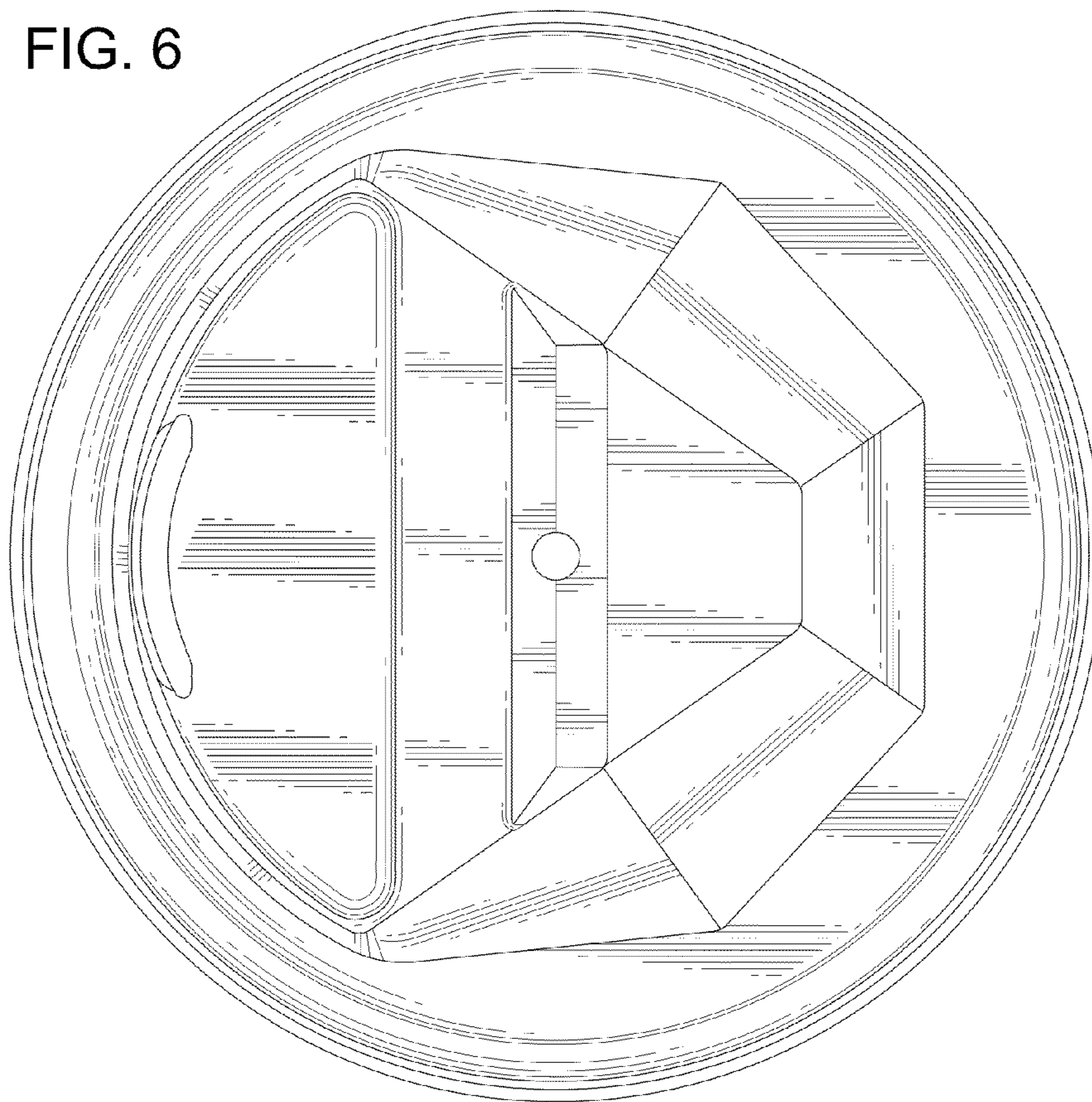
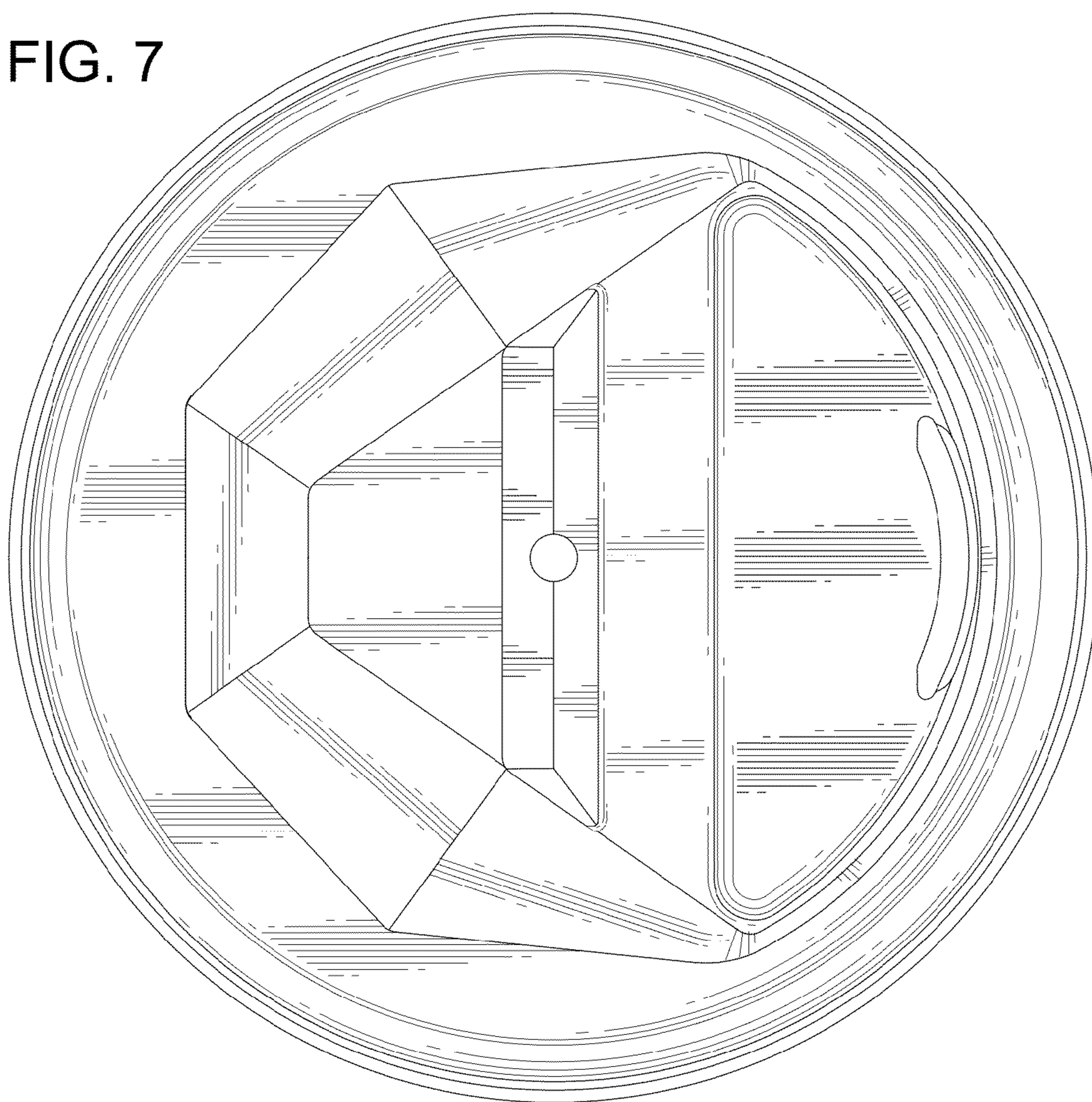


FIG. 7



UNITED STATES PATENT AND TRADEMARK OFFICE  
**CERTIFICATE OF CORRECTION**

PATENT NO. : D722,498 S  
APPLICATION NO. : 29/476072  
DATED : February 17, 2015  
INVENTOR(S) : Douglas H. Fleming

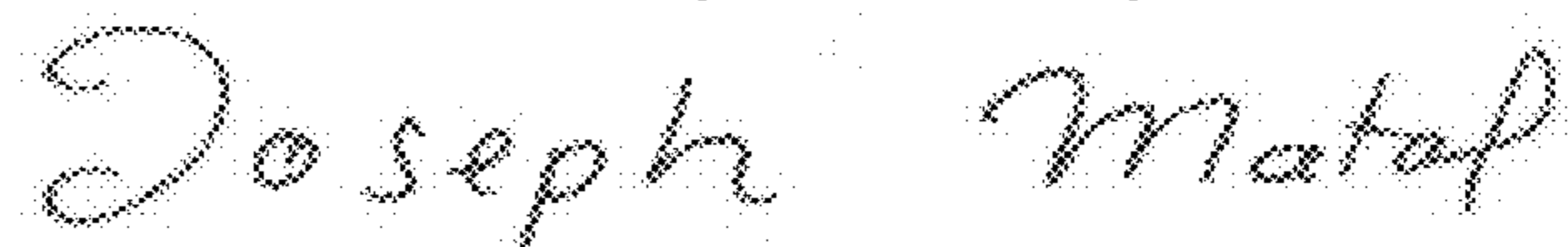
Page 1 of 1

It is certified that error appears in the above-identified patent and that said Letters Patent is hereby corrected as shown below:

On the Title Page

Under "References Cited, OTHER PUBLICATIONS", Line 1, after the words "The Viora Lid Finally Solves The Problem of", delete "Terrily" and insert -- Terribly --.

Signed and Sealed this  
Thirtieth Day of January, 2018



Joseph Matal  
*Performing the Functions and Duties of the  
Under Secretary of Commerce for Intellectual Property and  
Director of the United States Patent and Trademark Office*