



US00D722497S

(12) **United States Design Patent**  
**Saideh**

(10) **Patent No.:** **US D722,497 S**  
(45) **Date of Patent:** **\*\* Feb. 17, 2015**

(54) **TRANSPARENT DISPLAY CASE FOR AN ELECTRONIC CABLE**

(71) Applicant: **Zeikos Inc.**, Edison, NJ (US)

(72) Inventor: **Isaac Saideh**, Edison, NJ (US)

(73) Assignee: **Zeikos Inc.**, Edison, NJ (US)

(\*\*) Term: **14 Years**

(21) Appl. No.: **29/483,002**

(22) Filed: **Feb. 24, 2014**

(51) **LOC (10) Cl.** ..... **09-03**

(52) **U.S. Cl.**

USPC ..... **D9/432**; D9/721; D9/418

(58) **Field of Classification Search**

CPC ..... B65D 5/00; B65D 5/0015; B65D 5/0045;  
B65D 5/13; B65D 5/40; B65D 5/2033;  
B65D 1/22; B65D 1/225; B65D 1/24; B65D  
1/34; B65D 1/38

USPC ..... D9/414, 433, 444-445, 456, 711, 715,  
D9/718, 721, 748; D7/601, 602, 538, 540,  
D7/550.1; D3/203.5, 202, 207, 210;  
D4/116

See application file for complete search history.

(56) **References Cited**

**U.S. PATENT DOCUMENTS**

D263,797 S *	4/1982	Beauchamp	.....	D9/424
D285,414 S *	9/1986	Goetz et al.	.....	D9/420
D506,744 S *	6/2005	Andre et al.	.....	D14/205
D531,025 S *	10/2006	Tanner	.....	D9/426
D601,884 S *	10/2009	Andre et al.	.....	D9/430
D604,605 S *	11/2009	Chung et al.	.....	D9/432
D644,510 S *	9/2011	Fine et al.	.....	D9/426
D662,812 S *	7/2012	Kurita et al.	.....	D9/415
D668,143 S *	10/2012	Akana et al.	.....	D9/424
D672,660 S *	12/2012	Vural	.....	D9/721
D686,065 S *	7/2013	Kuo et al.	.....	D9/432
D706,643 S *	6/2014	Akana et al.	.....	D9/721
D709,385 S *	7/2014	Vural	.....	D9/721
D709,758 S *	7/2014	Burdock-Latter et al.	.....	D9/418

**OTHER PUBLICATIONS**

IHIP MFI 5 Foot Lighting to USB Fiber Cord—Black/Red. [online] Retrieved Sep. 19, 2014 from URL: <http://www.ihip.com/Products/39378142IPCFC5-BKR.jpg>.\*

\* cited by examiner

*Primary Examiner* — Susan Bennett Hattan

*Assistant Examiner* — Vy Koenig

(74) *Attorney, Agent, or Firm* — Amster, Rothstein & Ebenstein, LLP

(57) **CLAIM**

The ornamental design for a transparent display case for an electronic cable, as shown and described.

**DESCRIPTION**

FIG. 1 is an isometric view a transparent display case for an electronic cable according to the present invention;

FIG. 2 is a front view of the transparent display case for an electronic cable of FIG. 1;

FIG. 3 is a rear view of the transparent display case for an electronic cable of FIG. 1;

FIG. 4 is a side view of the transparent display case for an electronic cable of FIG. 1;

FIG. 5 is a side view opposite the view in FIG. 4 of the transparent display case for an electronic cable of FIG. 1;

FIG. 6 is a top view of the transparent display case for an electronic cable of FIG. 1;

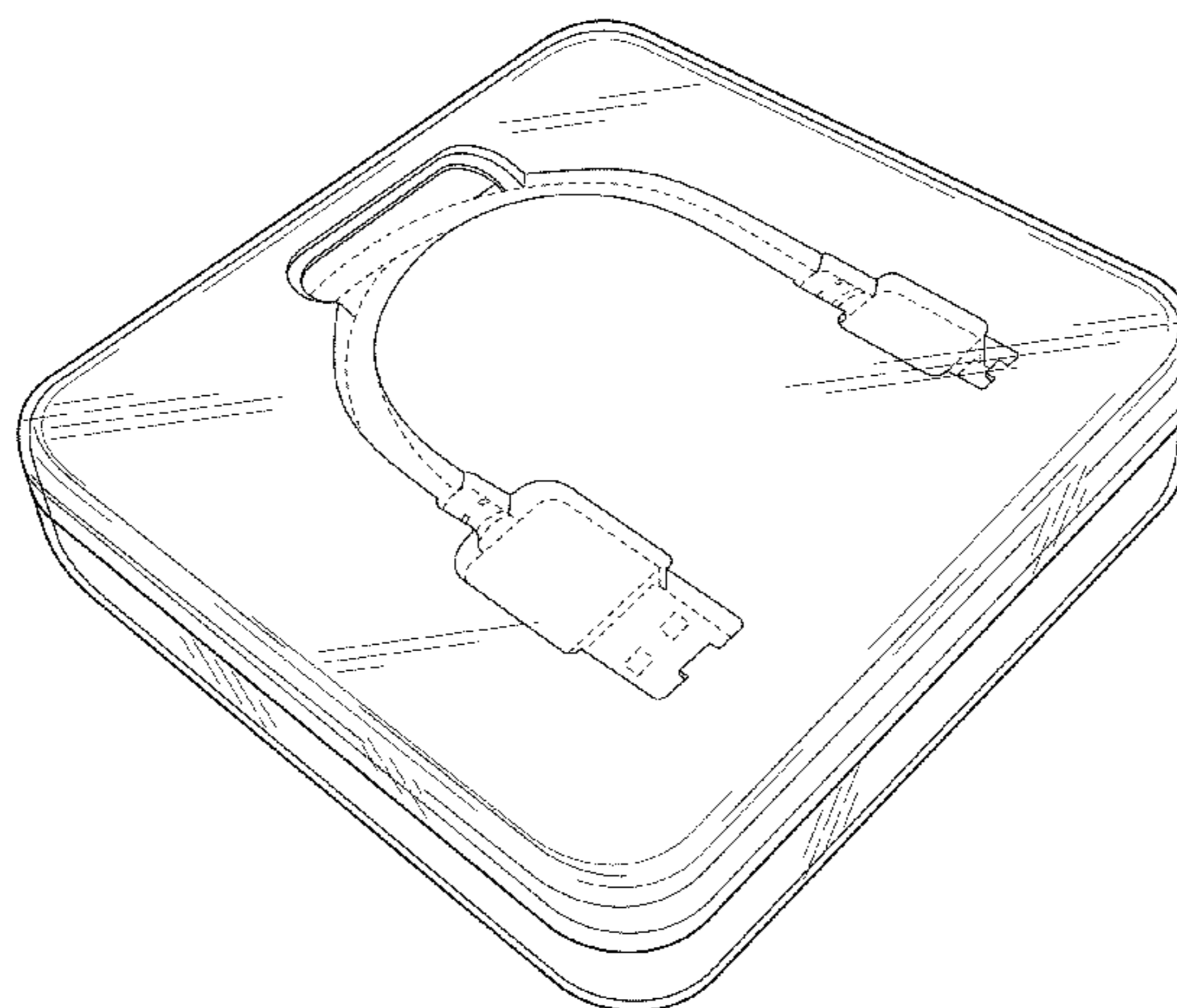
FIG. 7 is a bottom view of the transparent display case for an electronic cable of FIG. 1;

FIG. 8 is a parts-separated view of the transparent display case for an electronic cable of FIG. 1; and,

FIG. 9 is an isometric view of the transparent display case for an electronic cable of FIG. 1, without an electronic cable disposed therein.

With respect to the above-identified views, that portion(s) shown in broken lines does not form part of the claimed design and is provided for environmental purposes only.

**1 Claim, 5 Drawing Sheets**



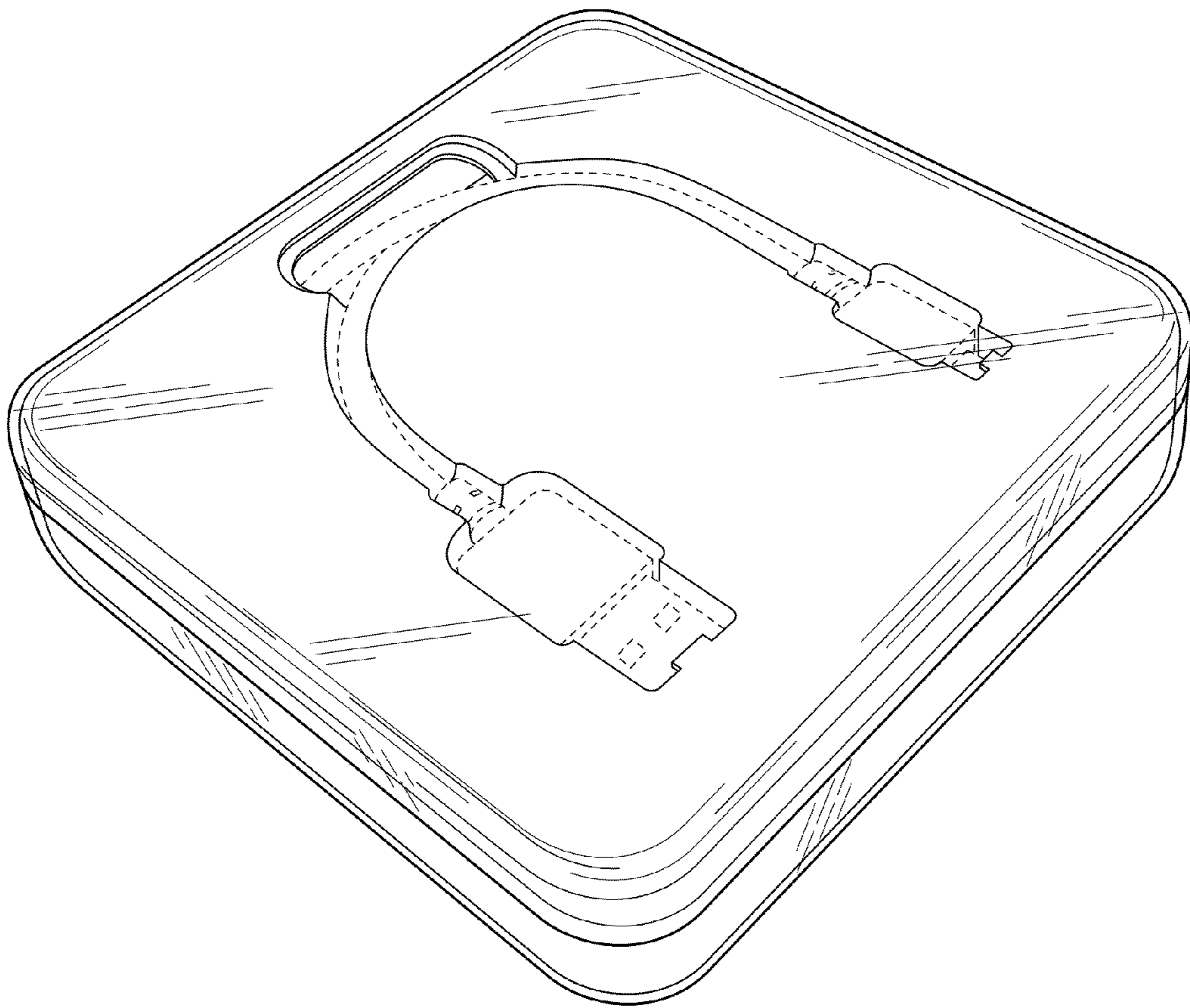


FIG. 1

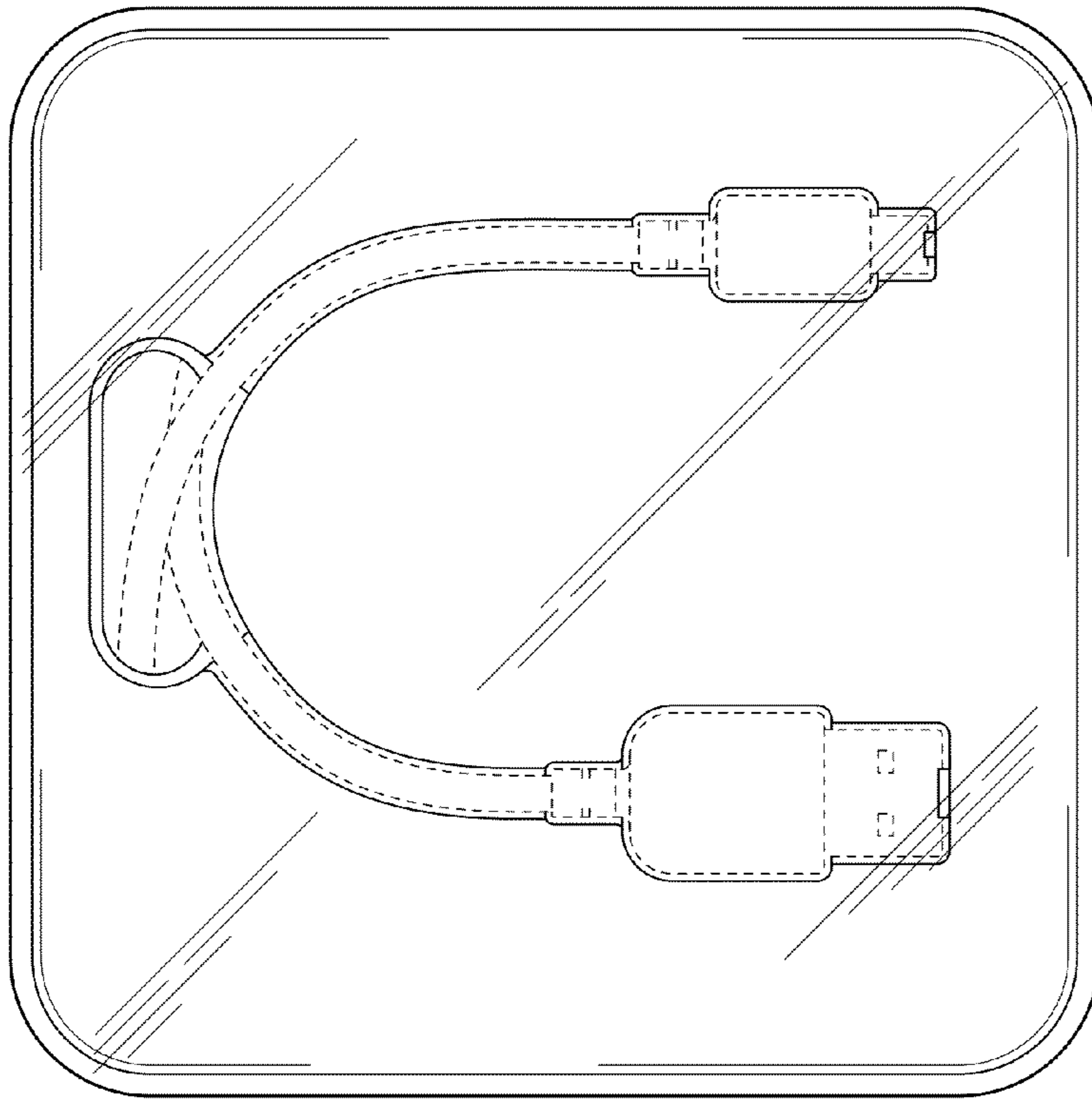


FIG. 2

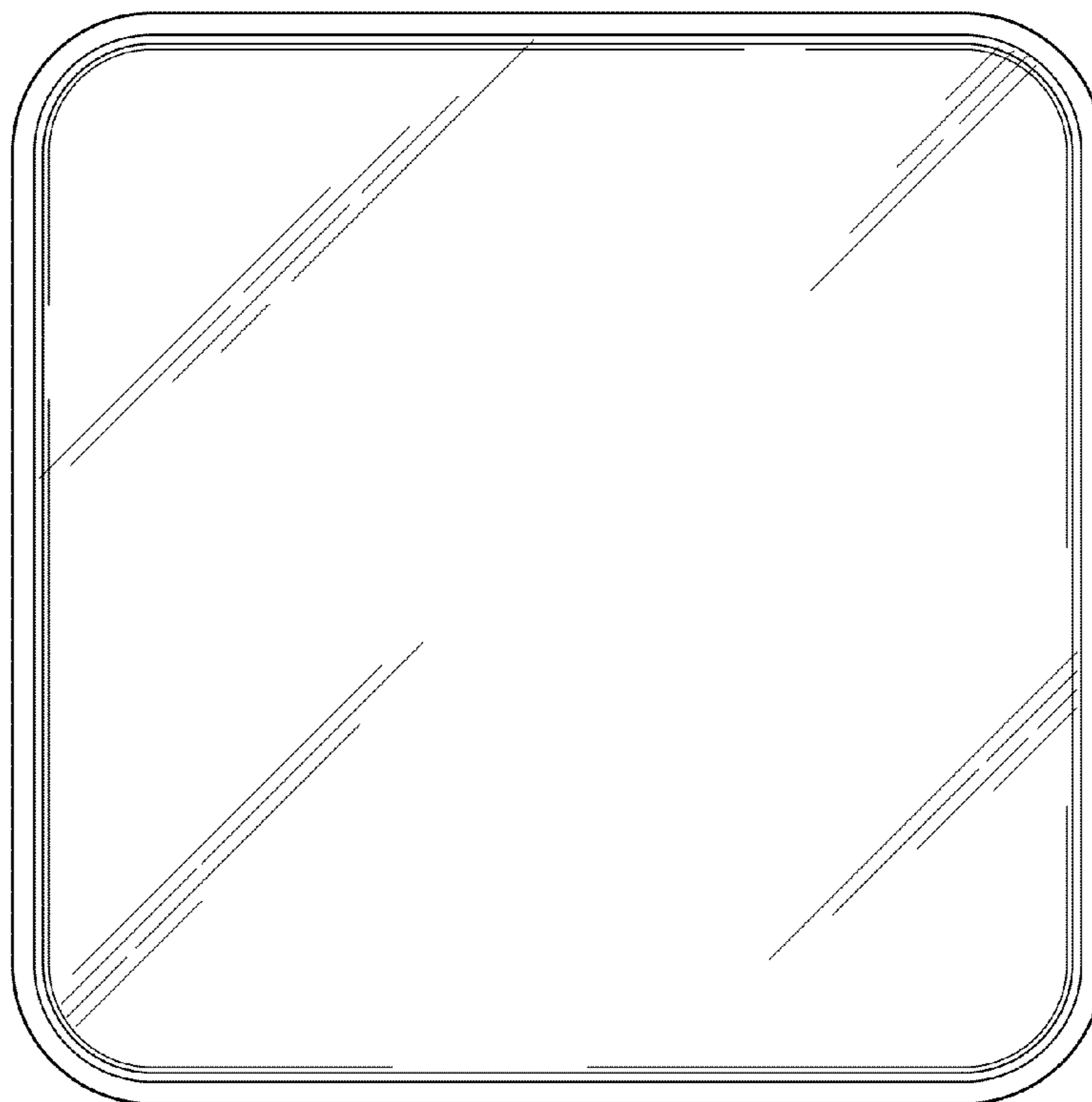


FIG. 3

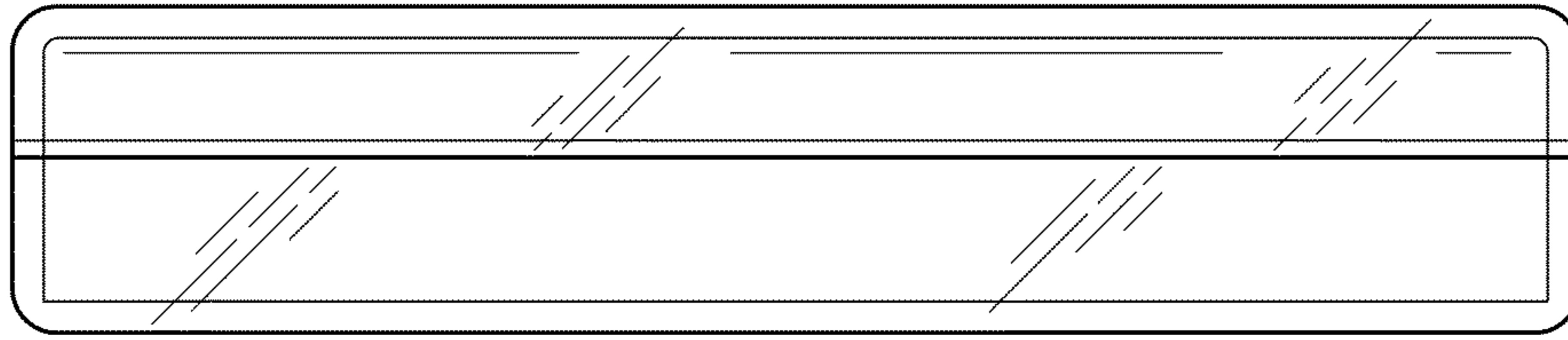


FIG. 4

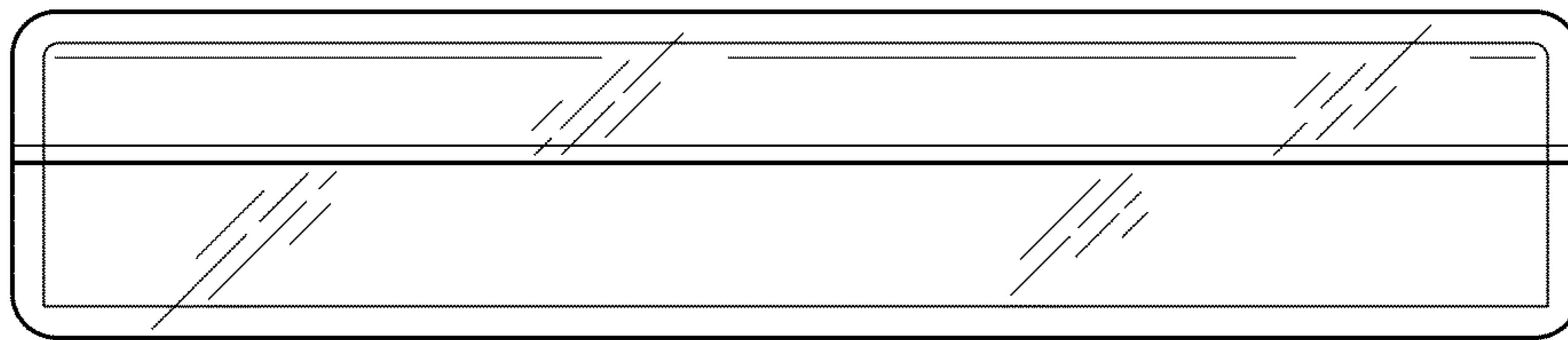


FIG. 5

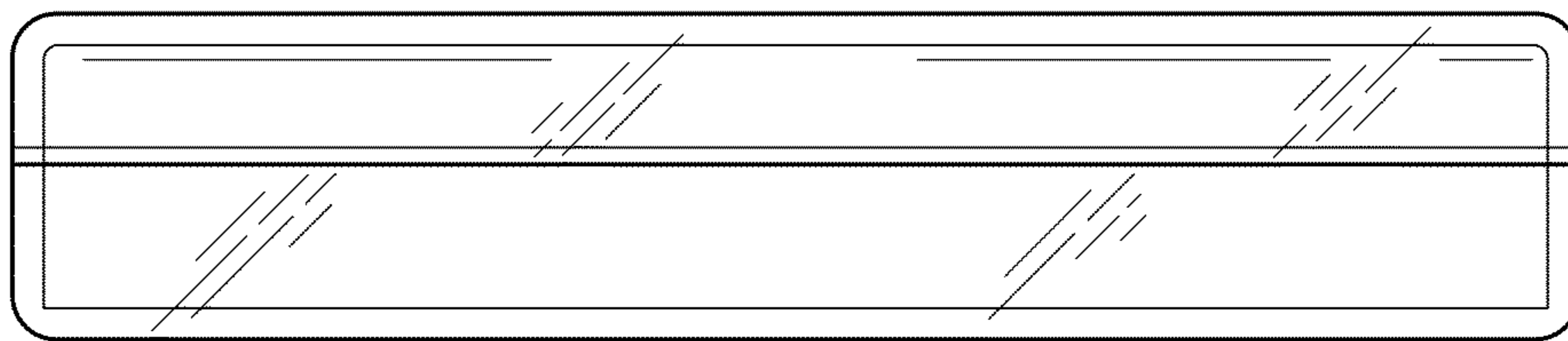


FIG. 6

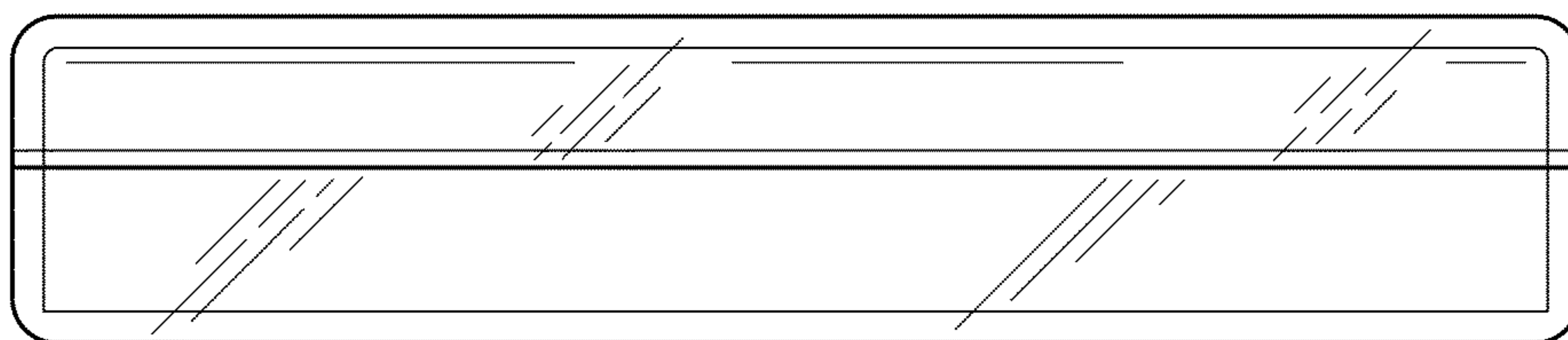


FIG. 7

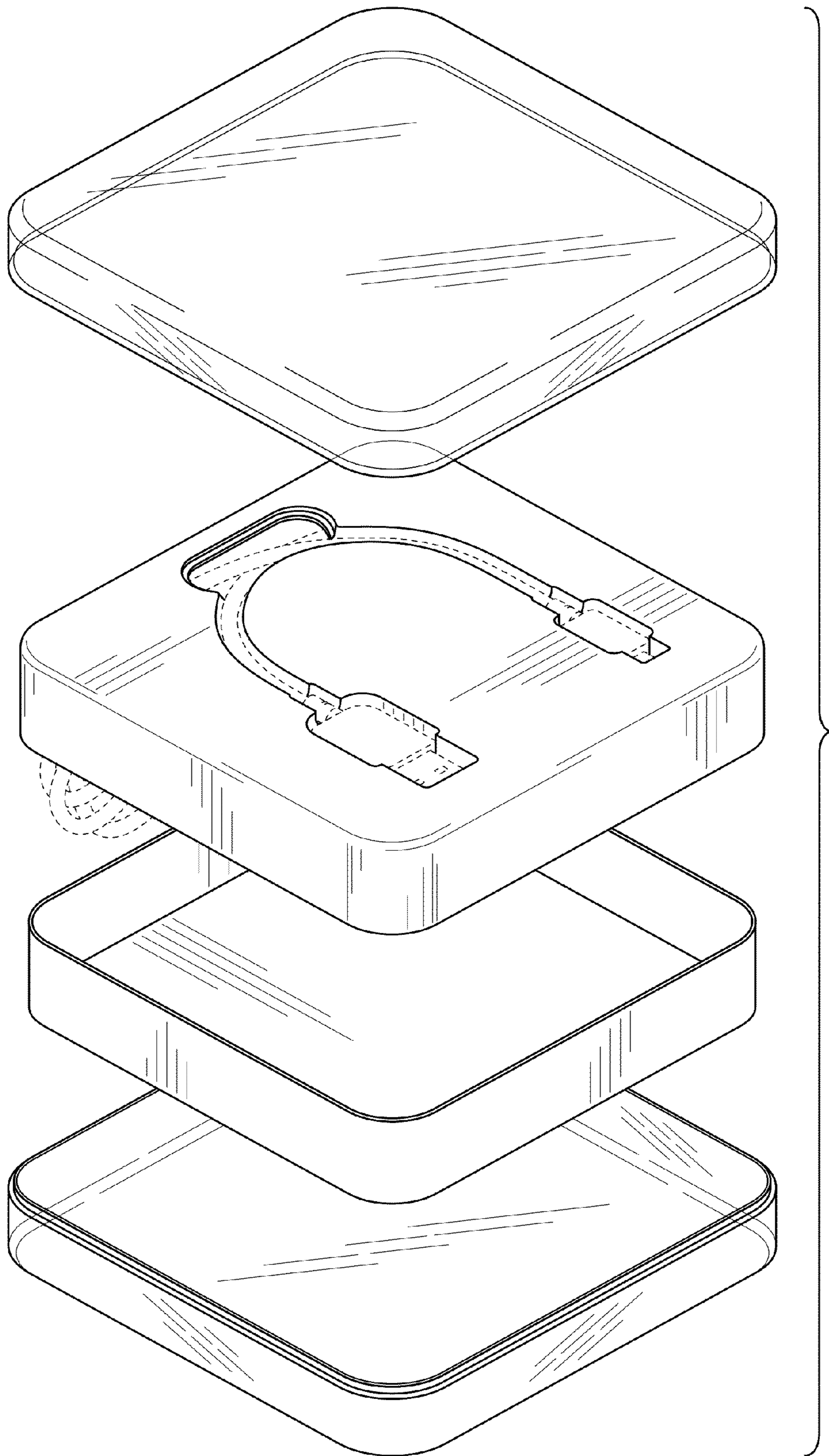


FIG. 8

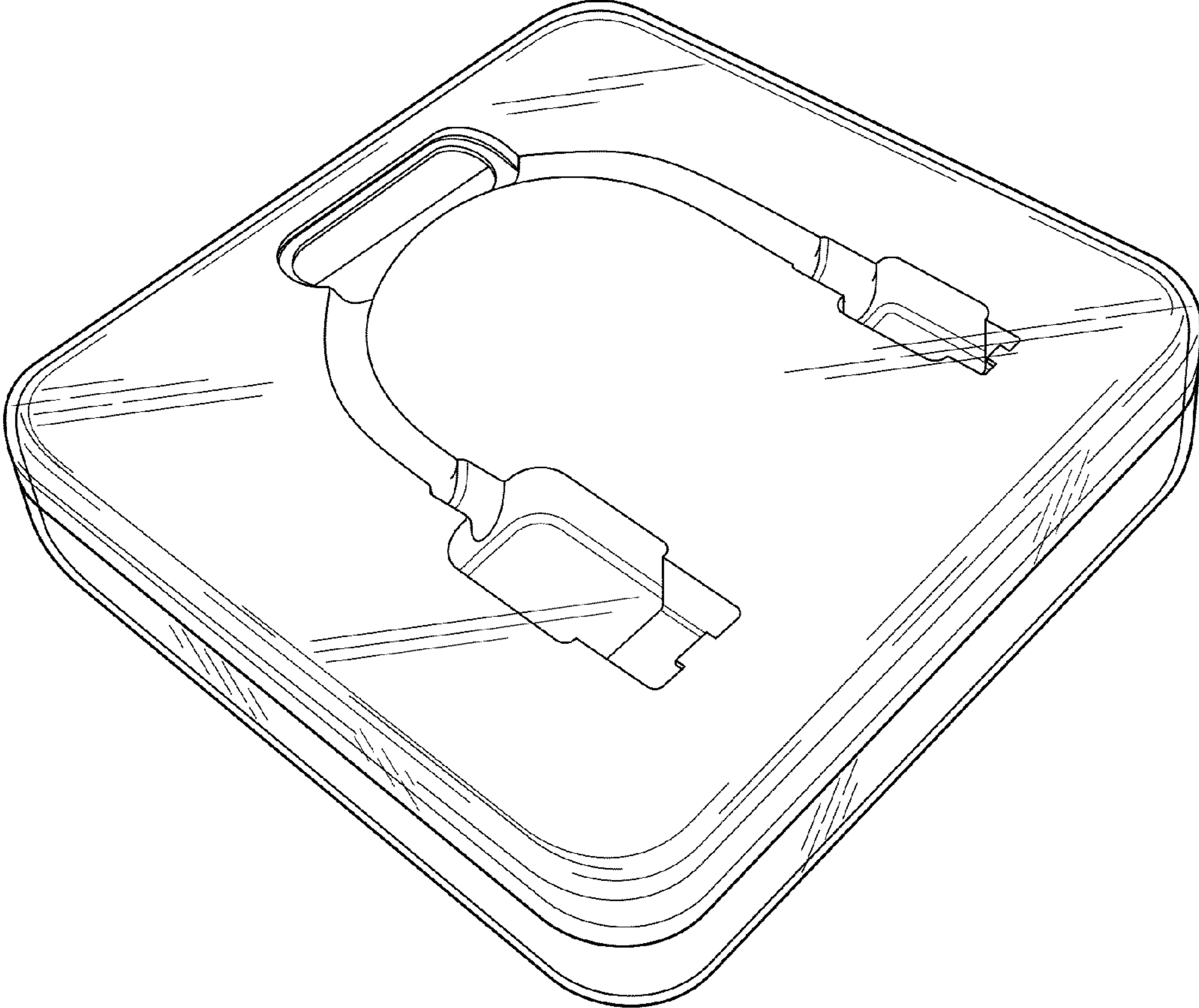


FIG. 9