



US00D722496S

(12) **United States Design Patent**
Ambelang et al.

(10) **Patent No.:** **US D722,496 S**

(45) **Date of Patent:** **** Feb. 17, 2015**

(54) **FOOD CONTAINER**

(56) **References Cited**

(71) Applicant: **NatureSweet, Ltd.**, San Antonio, TX
(US)

U.S. PATENT DOCUMENTS

(72) Inventors: **Bryant P. Ambelang**, San Antonio, TX
(US); **J. Michael Joergensen**, San Antonio, TX (US); **David C. Shaver**, Kingsbury, TX (US); **Emilio Fuentes**, Zapopan (MX)

3,794,090	A	*	2/1974	Commisso	220/782
D394,807	S	*	6/1998	Krupa et al.	D9/429
D439,160	S	*	3/2001	Abayhan et al.	D9/429
D440,155	S	*	4/2001	Schaefer	D9/451
D601,015	S	*	9/2009	Shaver et al.	D9/428
D621,699	S	*	8/2010	Shaver et al.	D9/428
8,104,635	B2	*	1/2012	Hayes et al.	220/675
D653,452	S	*	2/2012	Chang	D3/304
D673,447	S	*	1/2013	Freeman et al.	D9/424
D690,194	S	*	9/2013	Snedden et al.	D9/425

(73) Assignee: **NatureSweet, Ltd.**, San Antonio, TX
(US)

OTHER PUBLICATIONS

(**) Term: **14 Years**

U.S. Appl. No. 29/441,997, Ambelang.

(21) Appl. No.: **29/454,091**

* cited by examiner

(22) Filed: **May 6, 2013**

Primary Examiner — Derrick Holland

(51) **LOC (10) Cl.** **09-03**

Assistant Examiner — Lauren Calve

(52) **U.S. Cl.**

(74) *Attorney, Agent, or Firm* — Fulbright & Jaworski LLP

USPC **D9/424**

(57) **CLAIM**

(58) **Field of Classification Search**

The ornamental design for a food container, as shown and described.

CPC B65D 2543/00296; B65D 2543/00537;
B65D 2543/00685; B65D 2543/00796; B65D
2543/00194; B65D 2543/0062; B65D
2543/00648; B65D 2543/00101; B65D
2543/00231; B65D 2501/0036; B65D 5/4204;
B65D 2575/586

DESCRIPTION

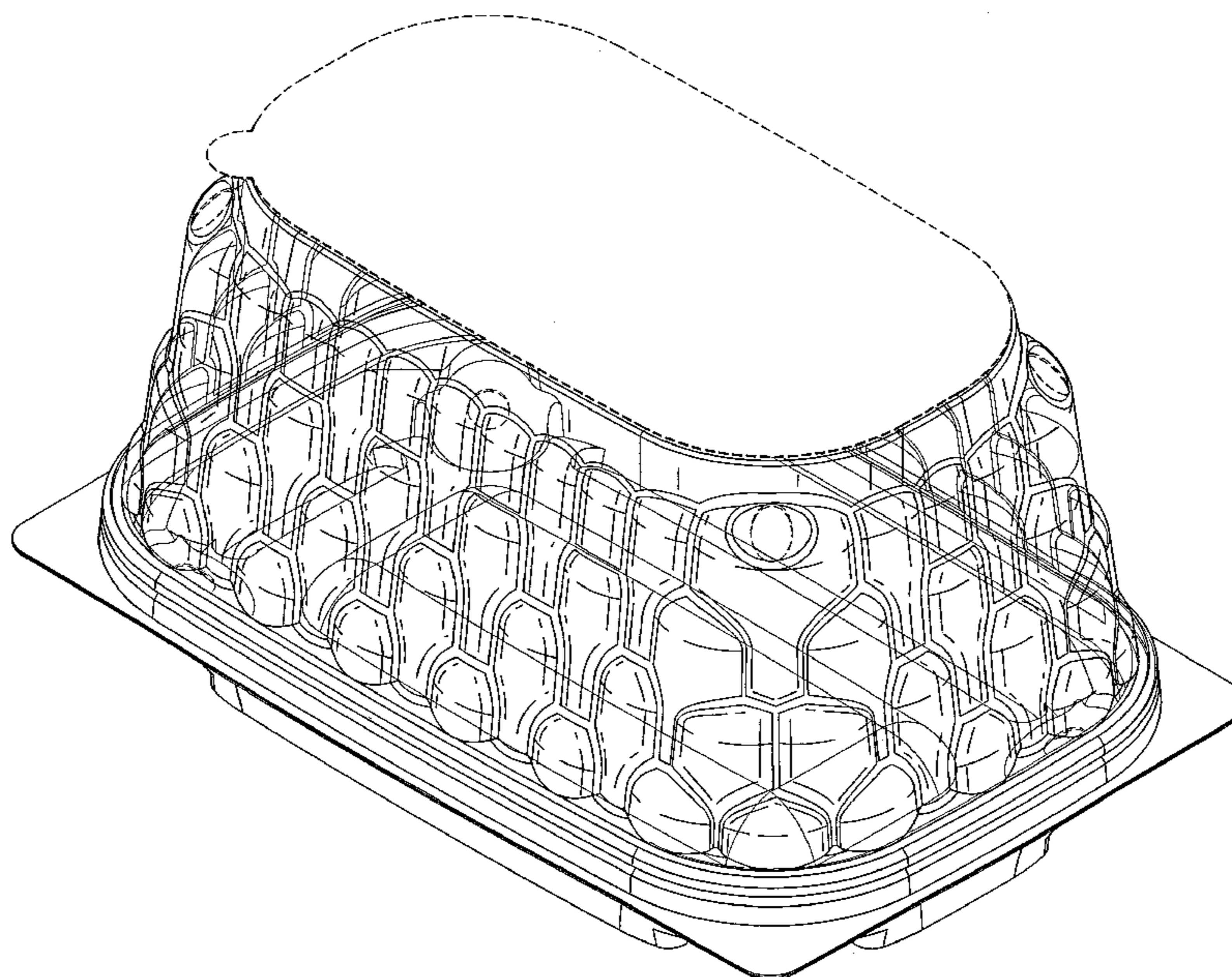
USPC D9/414, 423, 424, 425, 428, 429, 430,
D9/438, 439; D7/500, 584, 586, 601, 629;
220/266, 345.1, 377, 574, 669,
220/670–675, 789, 796–806; 206/348, 372,
206/540, 763, 775, 776, 782, 815

FIG. 1 is a front perspective view of a food container showing our new design;
FIG. 2 is a front elevation view thereof;
FIG. 3 is a back elevation view thereof;
FIG. 4 is a right elevation view thereof;
FIG. 5 is a left elevation view thereof;
FIG. 6 is a top plan view thereof; and,
FIG. 7 is a bottom plan view thereof.

The broken lines shown in FIGS. 1-7 represent unclaimed subject matter and form no part of the claimed design.

See application file for complete search history.

1 Claim, 7 Drawing Sheets



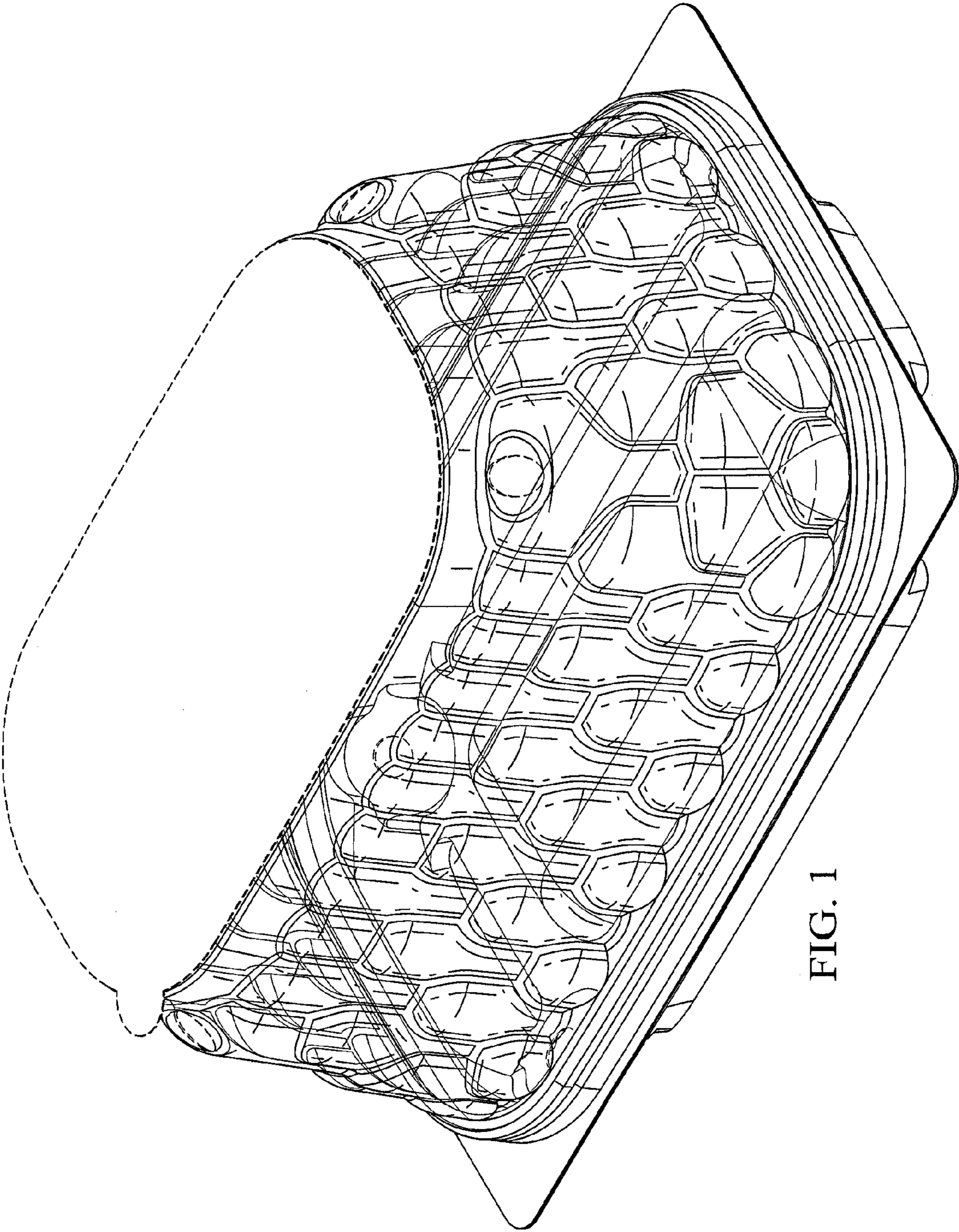


FIG. 1

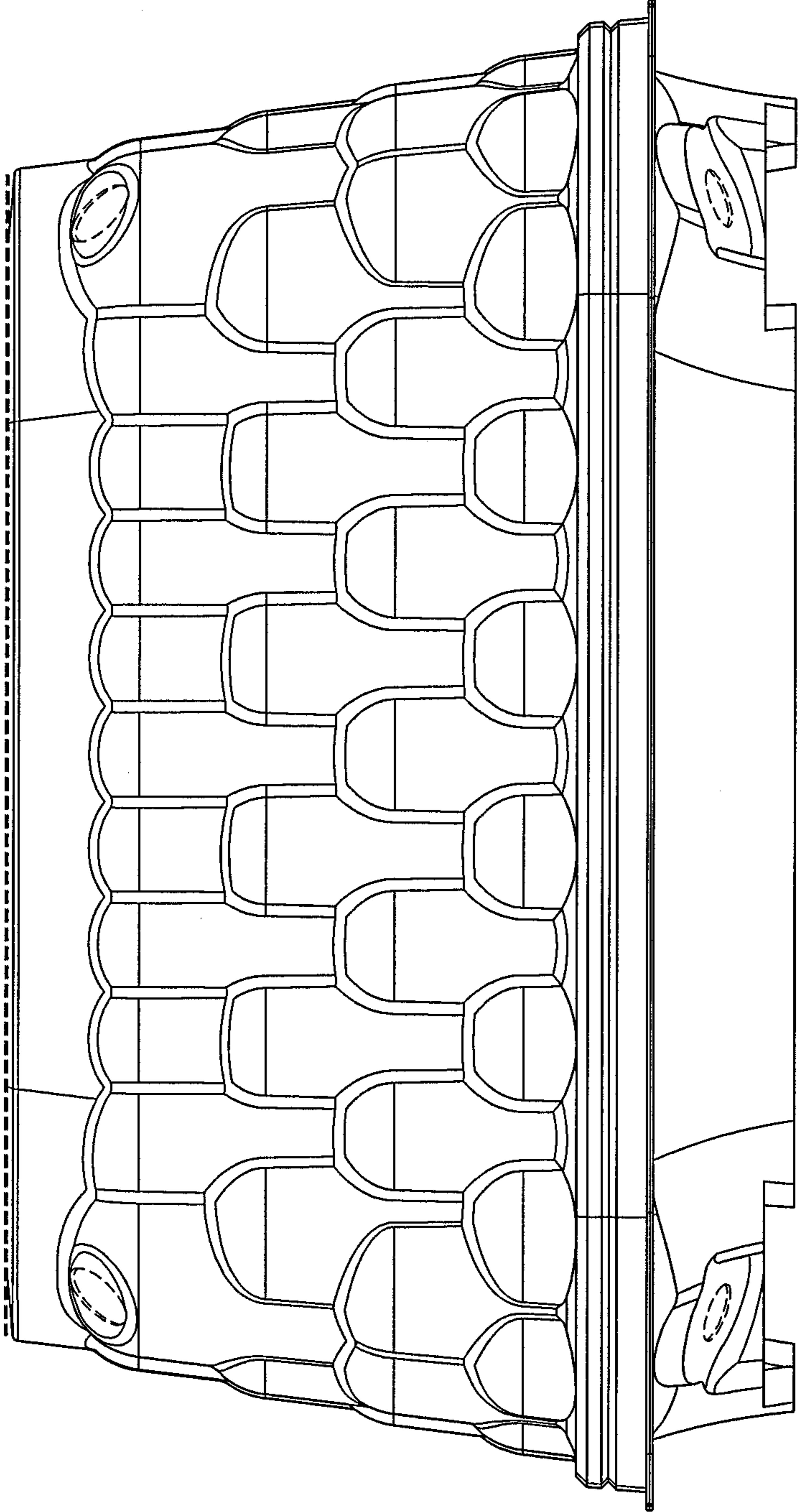


FIG. 2

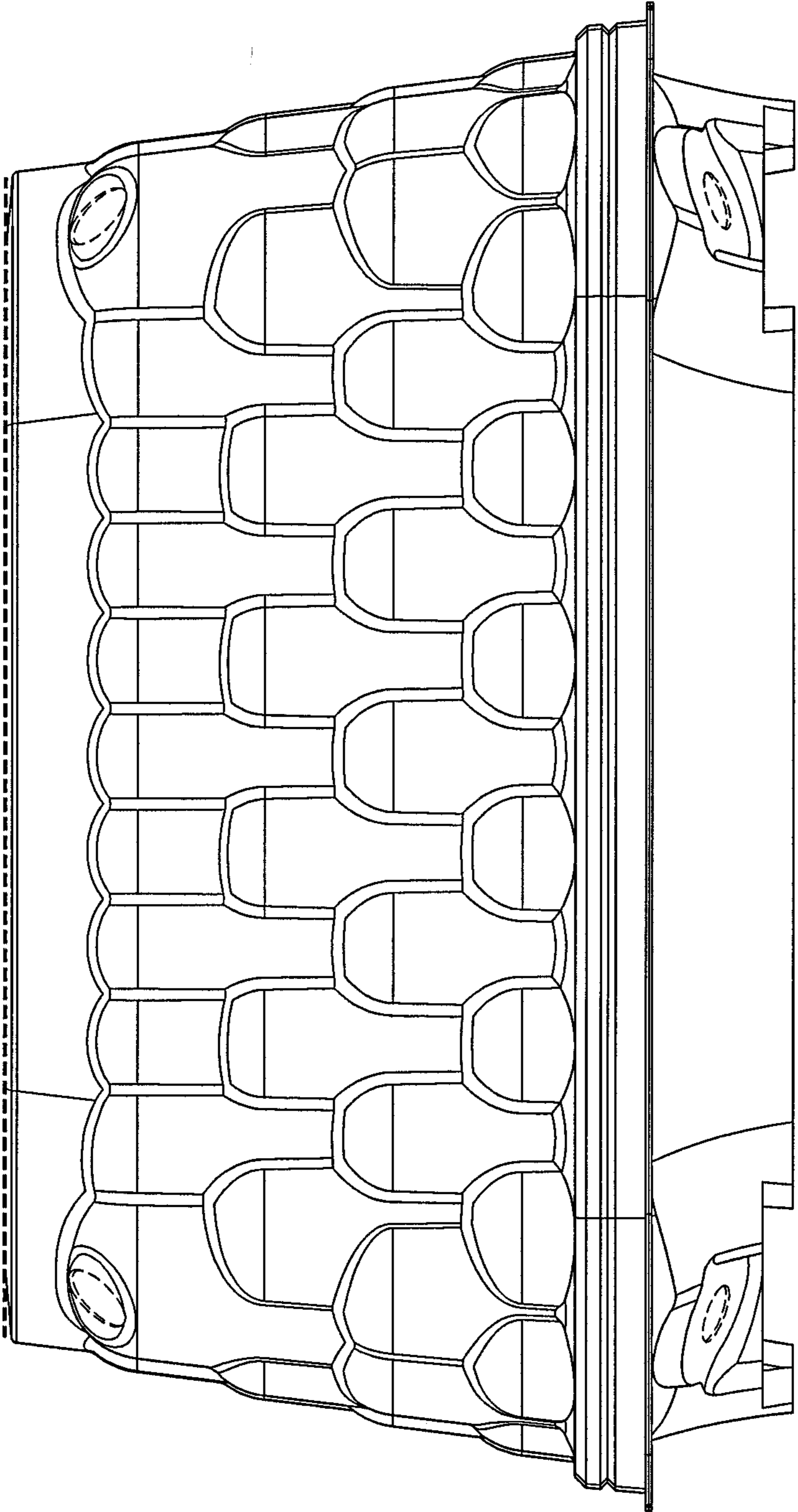


FIG. 3

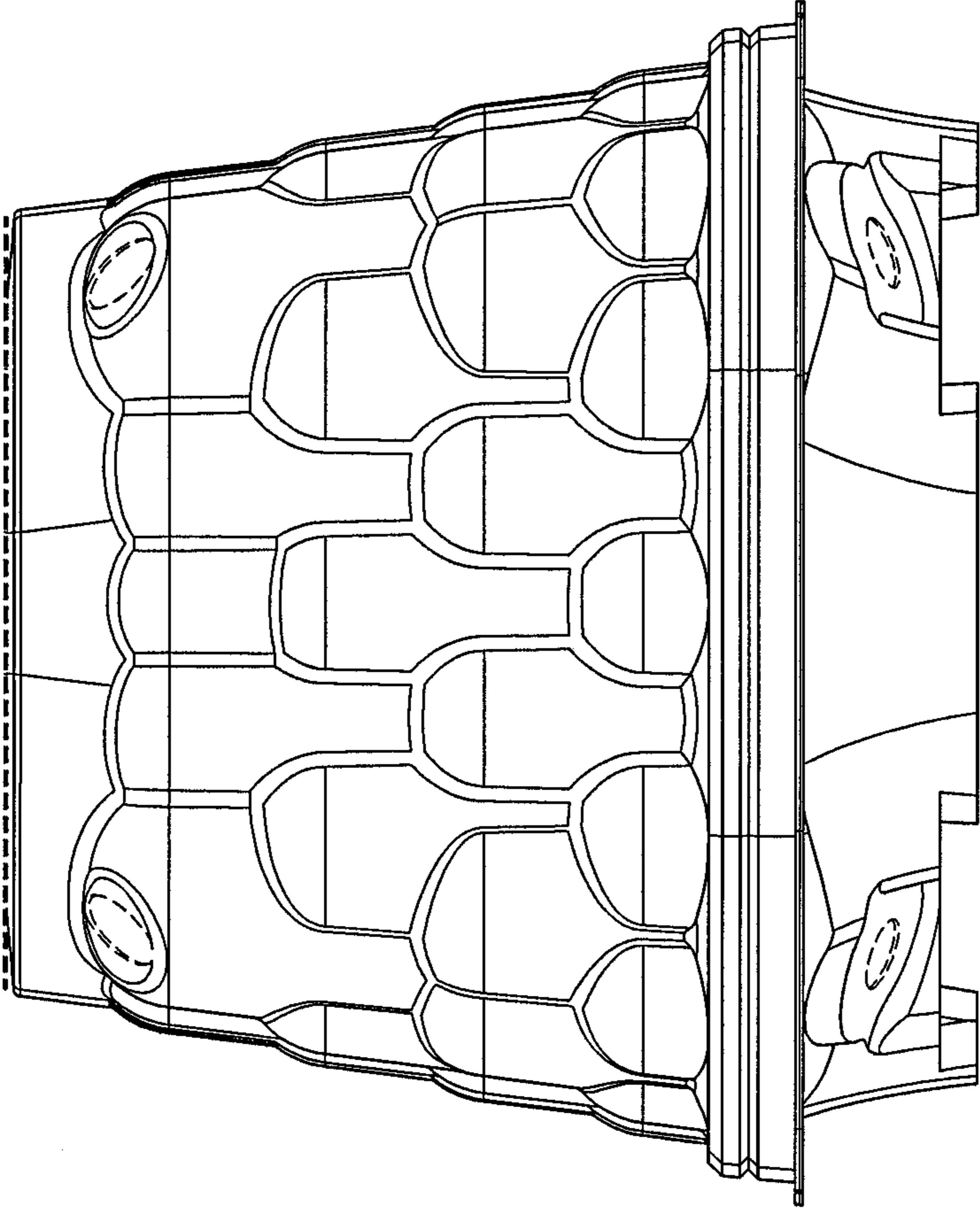


FIG. 4

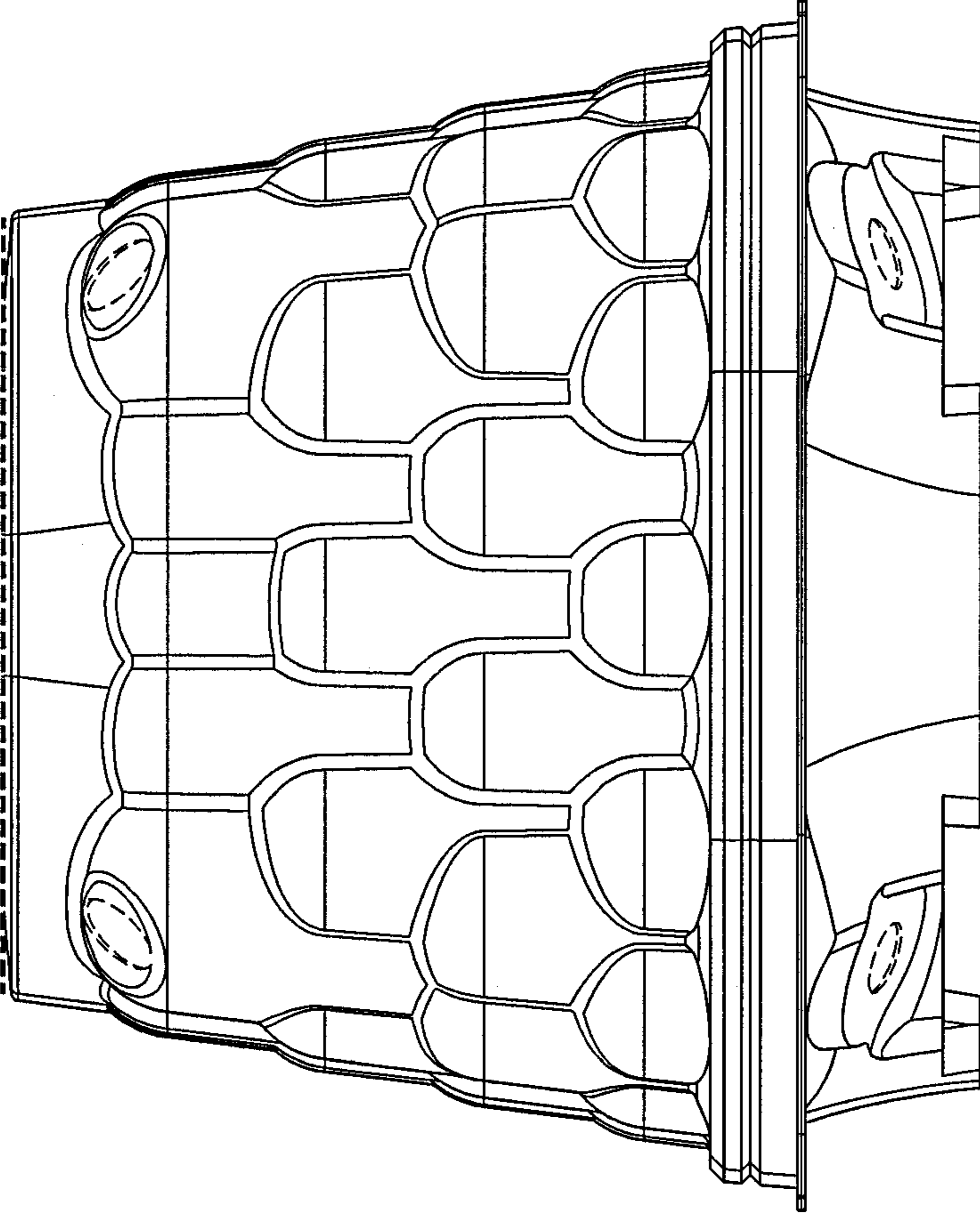


FIG. 5

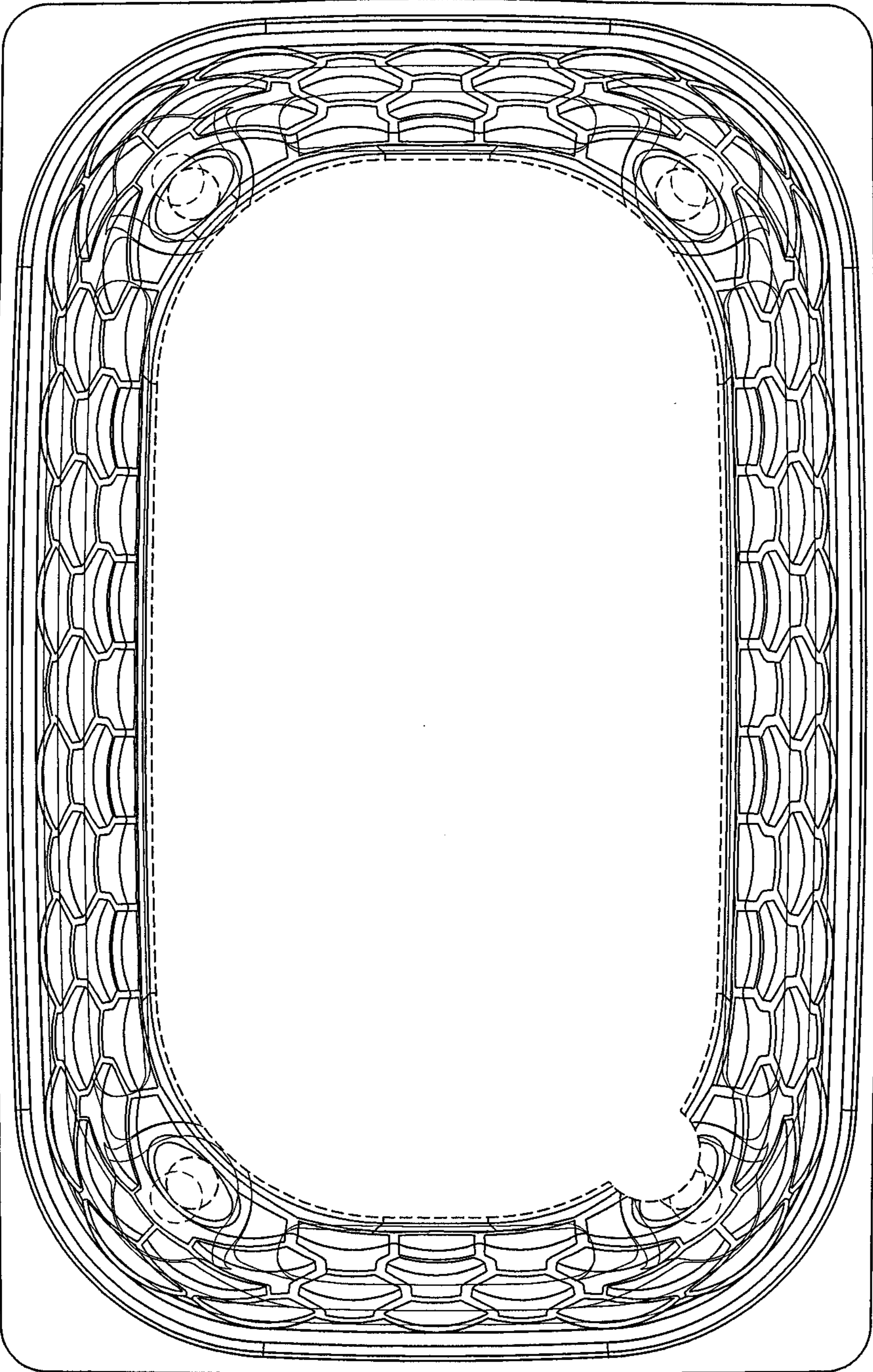


FIG. 6

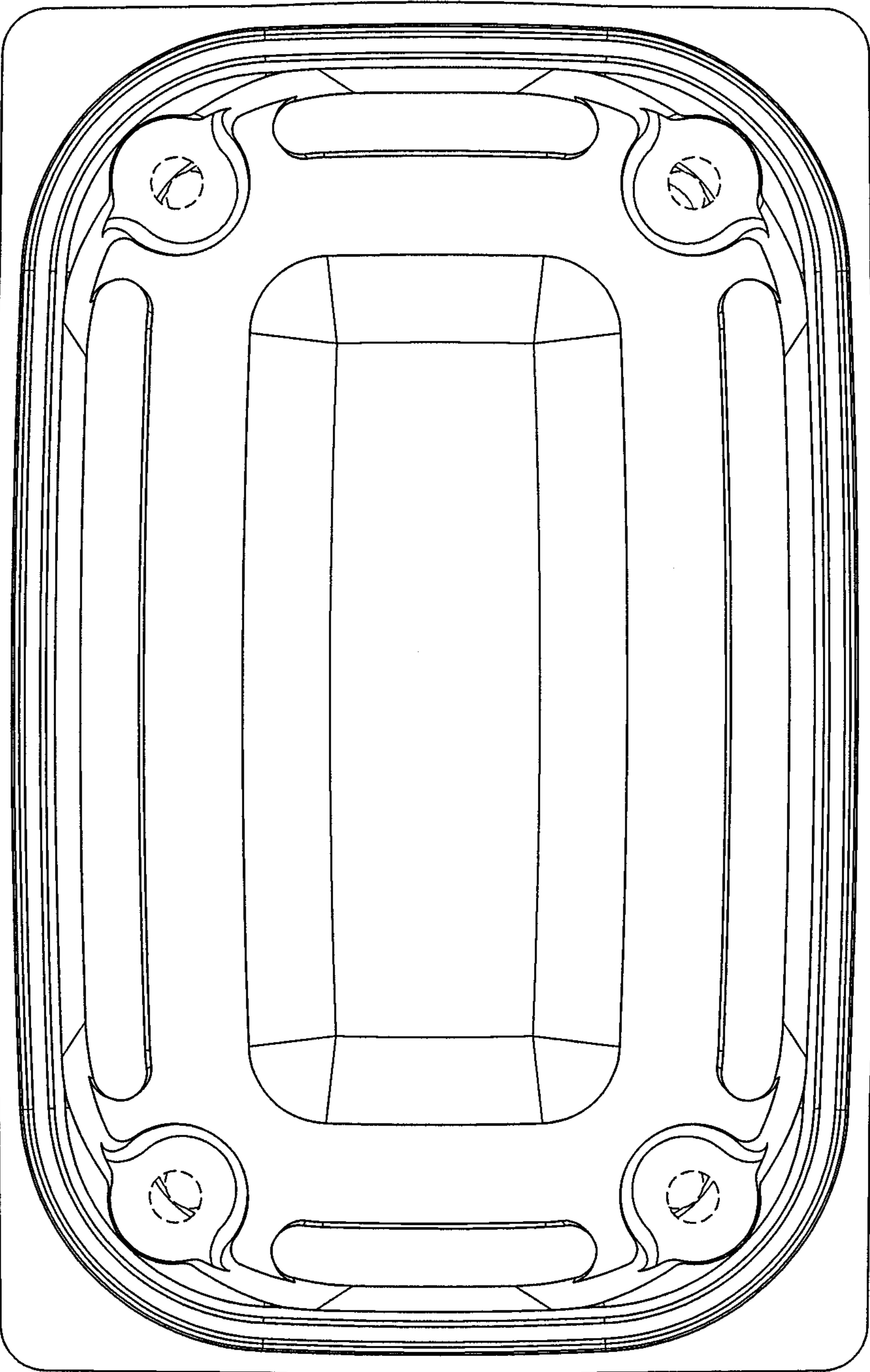


FIG. 7