



US00D722494S

(12) **United States Design Patent**
Ramsauer

(10) **Patent No.:** **US D722,494 S**

(45) **Date of Patent:** **** Feb. 17, 2015**

(54) **HOLDING CLAMP**

(71) Applicant: **Dieter Ramsauer**, Schwelm (DE)

(72) Inventor: **Dieter Ramsauer**, Schwelm (DE)

(**) Term: **14 Years**

(21) Appl. No.: **29/473,353**

(22) Filed: **Nov. 21, 2013**

(30) **Foreign Application Priority Data**

May 25, 2013 (DE) 40 2013 002 319

(51) **LOC (10) Cl.** **08-08**

(52) **U.S. Cl.**
USPC **D8/395**

(58) **Field of Classification Search**
USPC D8/354, 356, 371, 385, 394-396;
D19/65, 86; D24/128; 248/74.2, 215,
248/227.1, 49, 300, 301, 316.7, 51, 489;
24/570, 3.12, 292, 297; D32/61;
D11/78.1; D3/215

See application file for complete search history.

(56) **References Cited**

U.S. PATENT DOCUMENTS

3,205,546	A *	9/1965	Nelson	24/292
3,499,674	A *	3/1970	Burkholder et al.	292/87
D272,743	S *	2/1984	Knox	D15/144
D277,546	S *	2/1985	Trotta	D8/349
4,630,338	A *	12/1986	Osterland et al.	24/293
D335,371	S *	5/1993	Meade	D32/60
5,263,233	A *	11/1993	Kim et al.	24/295
5,759,004	A *	6/1998	Kuffel	411/508
6,203,240	B1 *	3/2001	Hironaka et al.	403/397
6,371,419	B1 *	4/2002	Ohnuki	248/74.2
6,918,162	B2 *	7/2005	Bodo	24/293
D509,726	S *	9/2005	Diller	D8/395
D520,352	S *	5/2006	Knight et al.	D8/395

7,120,971	B2 *	10/2006	Osterland et al.	24/295
7,152,281	B2 *	12/2006	Scroggie	24/297
D548,668	S *	8/2007	Walton et al.	D12/317
7,318,256	B2 *	1/2008	Lubera et al.	24/295
7,784,159	B2 *	8/2010	Dickinson et al.	24/295
8,220,762	B2 *	7/2012	Stigler et al.	248/231.9
D675,512	S *	2/2013	Gary et al.	D8/395
8,370,999	B2 *	2/2013	Camus	24/295
D679,177	S *	4/2013	Craig et al.	D8/395
8,458,862	B2 *	6/2013	Reznar	24/292
8,474,111	B2 *	7/2013	Ribes Marti	24/458
D701,112	S *	3/2014	Ukai et al.	D8/382
8,793,845	B2 *	8/2014	Benedetti et al.	24/292
2004/0238698	A1 *	12/2004	Shereyk et al.	248/71
2007/0284486	A1 *	12/2007	Smutny et al.	248/74.3

* cited by examiner

Primary Examiner — John Windmuller

(74) *Attorney, Agent, or Firm* — Frommer Lawrence & Haug LLP

(57) **CLAIM**

The ornamental design for a holding clamp, as shown and described.

DESCRIPTION

FIG. 1 shows a top view of the holding clamp in accordance with the invention.

FIG. 2 shows a side view of the holding clamp.

FIG. 3 shows a front view of the holding clamp.

FIG. 4 shows a perspective top view of the holding clamp.

FIG. 5 shows a perspective bottom view of the holding clamp.

FIG. 6 shows a rear view of the holding clamp.

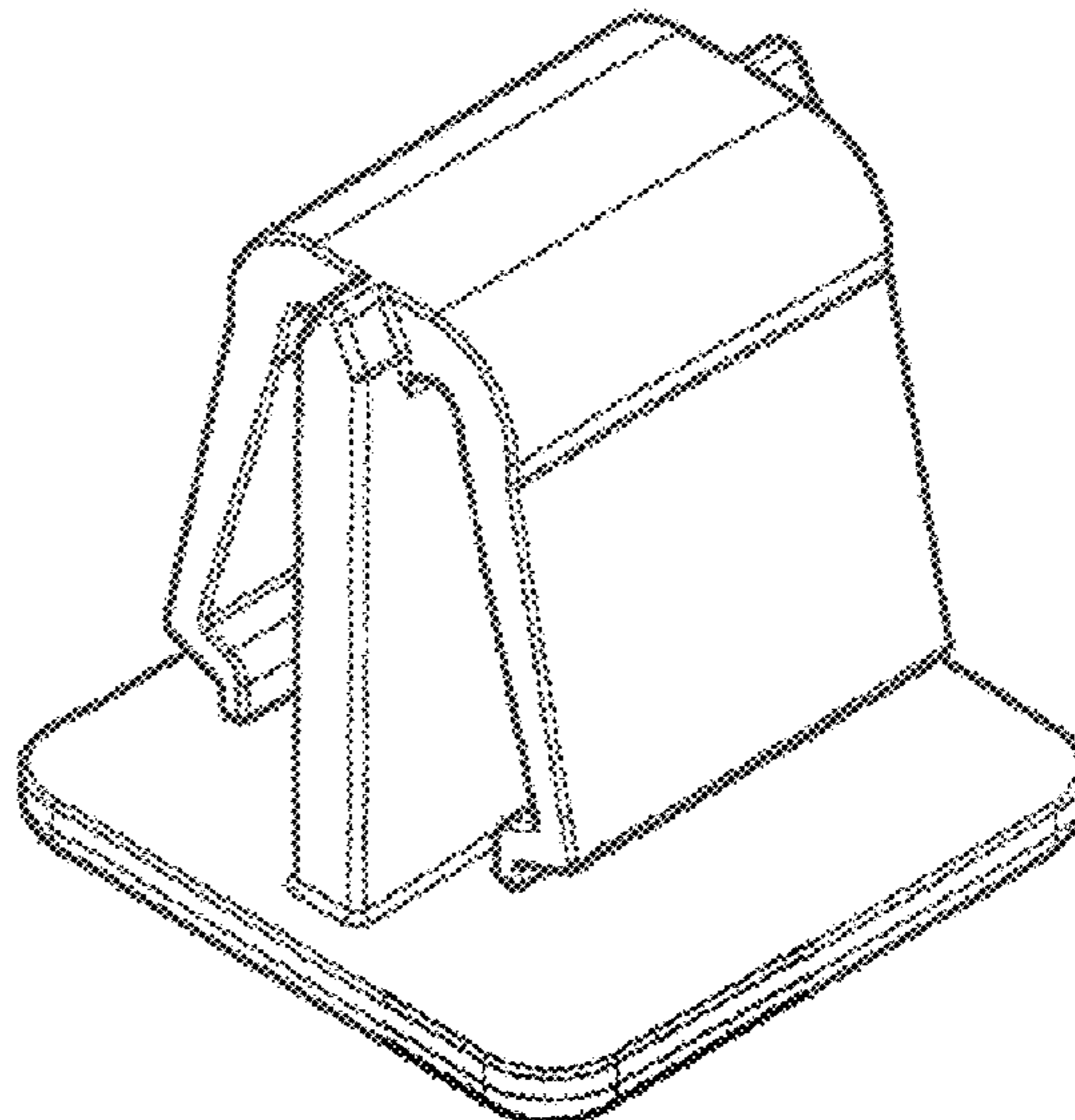
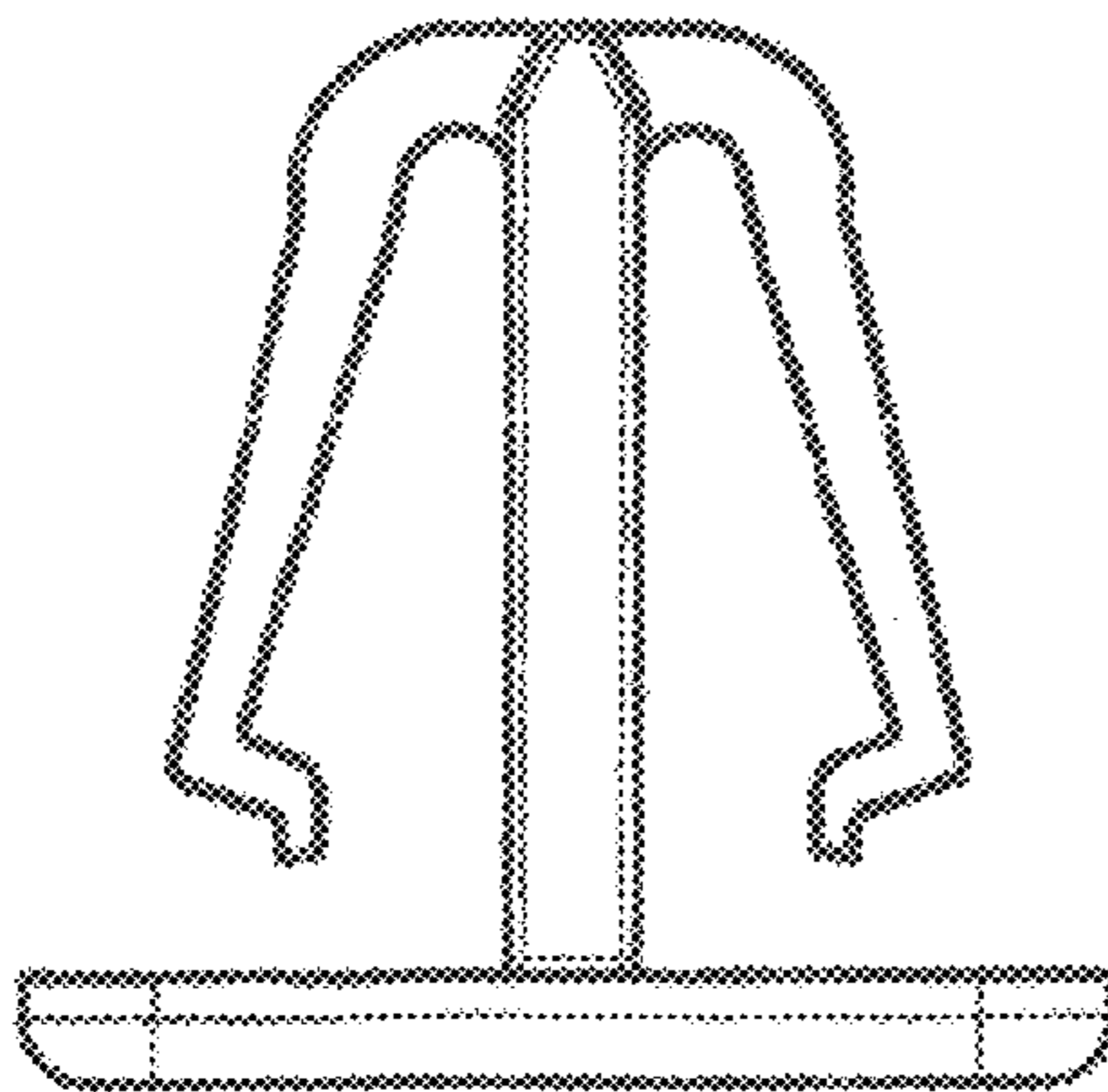
FIG. 7 shows the holding clamp and two thin walls separately.

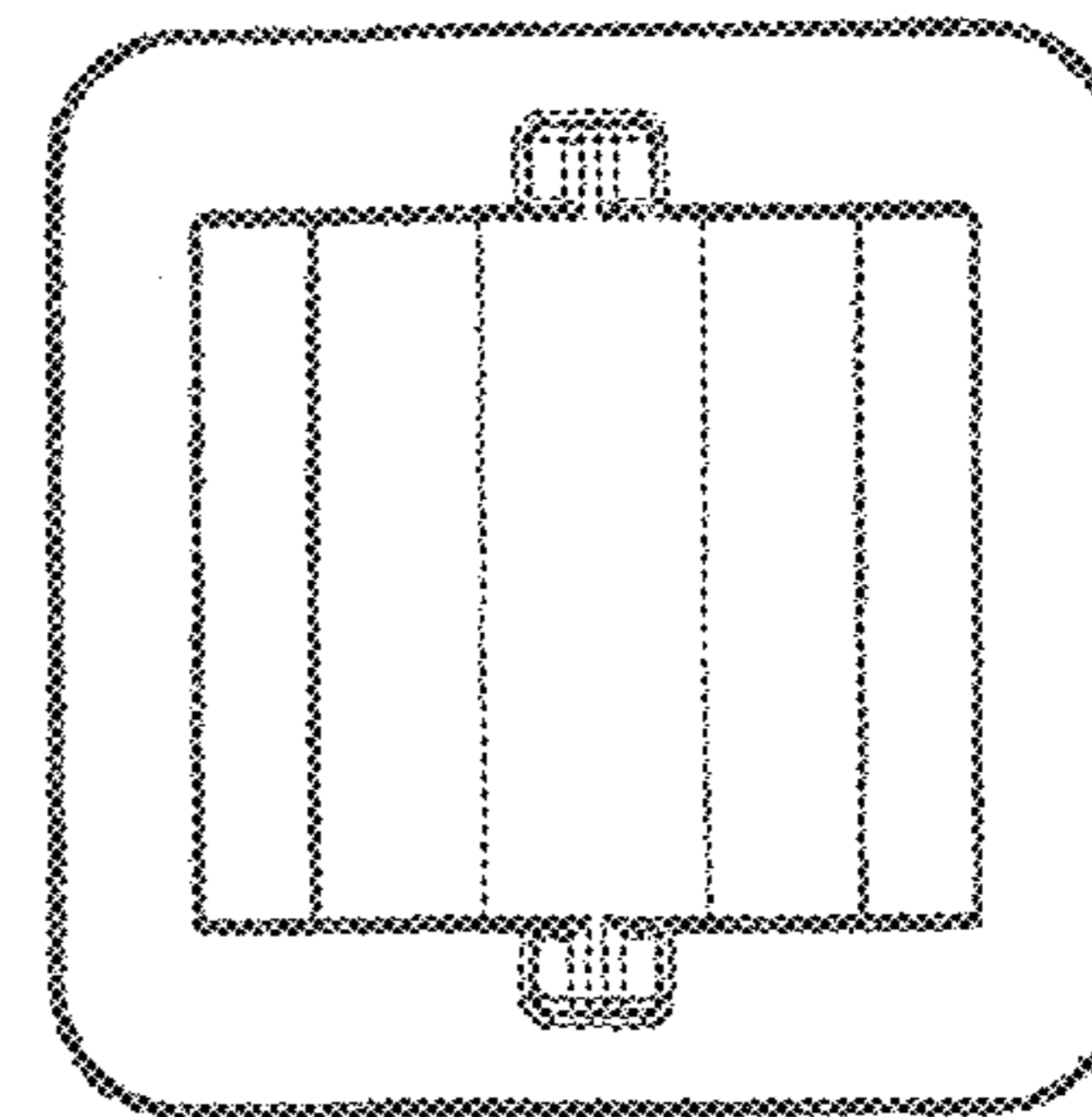
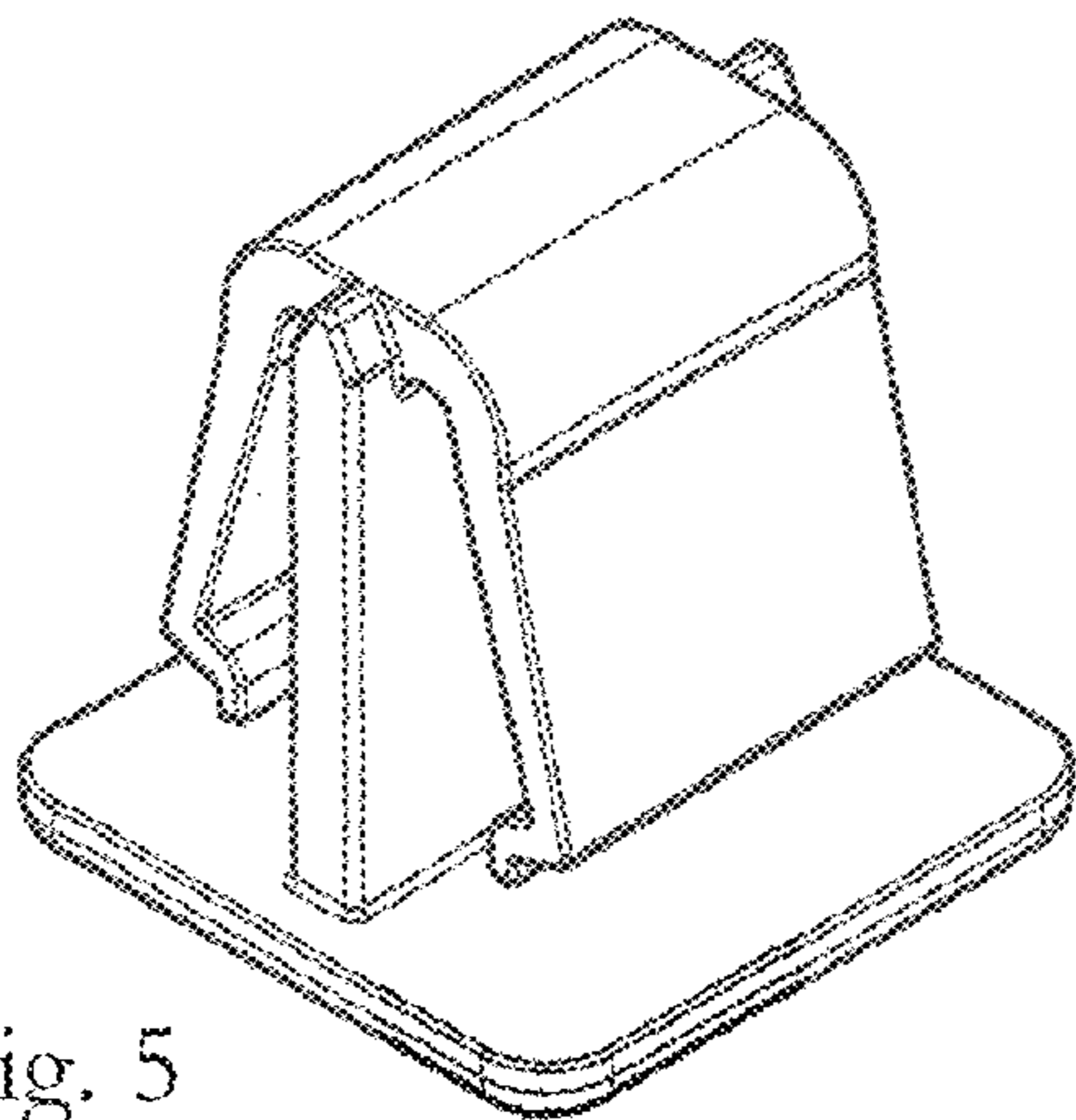
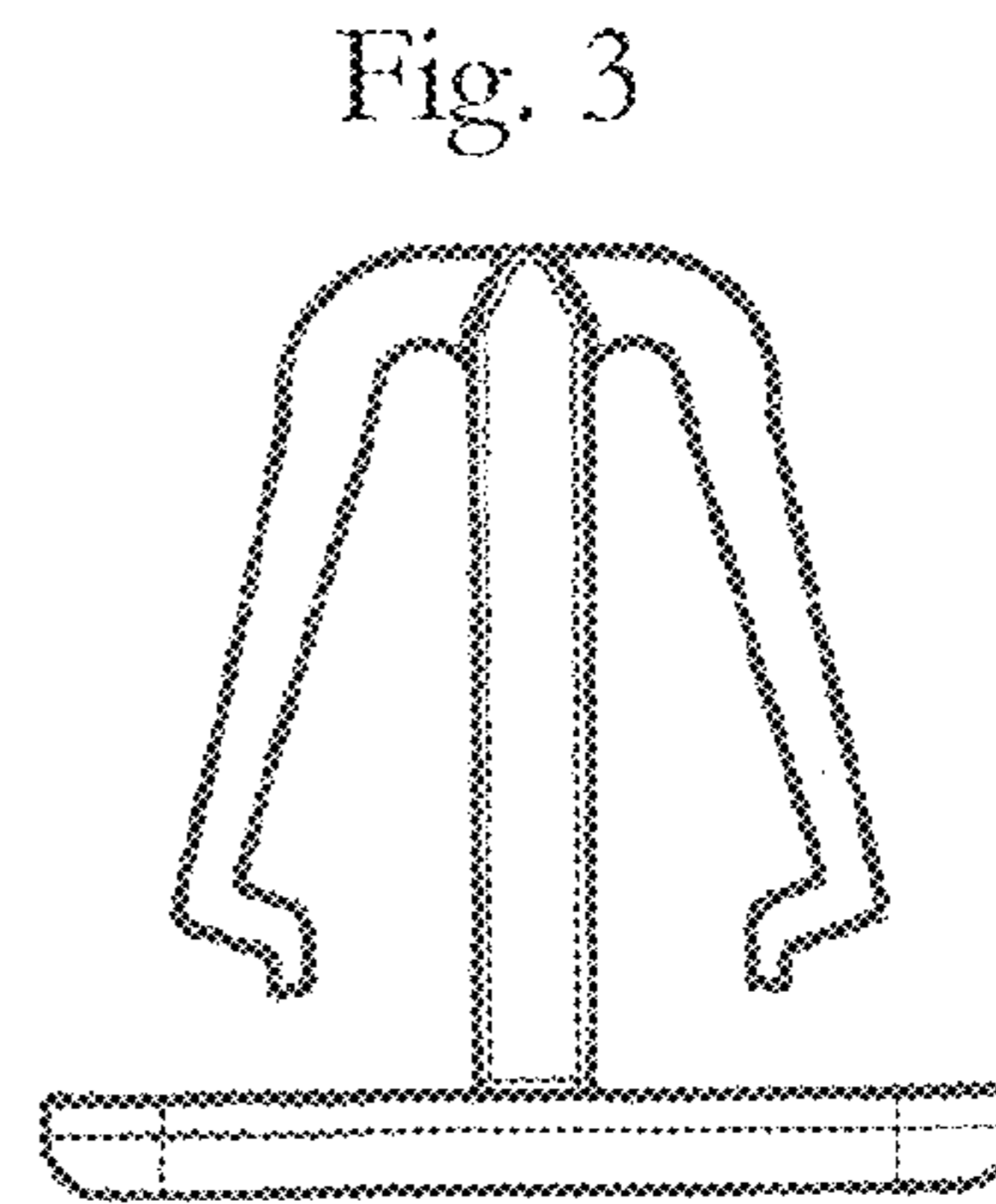
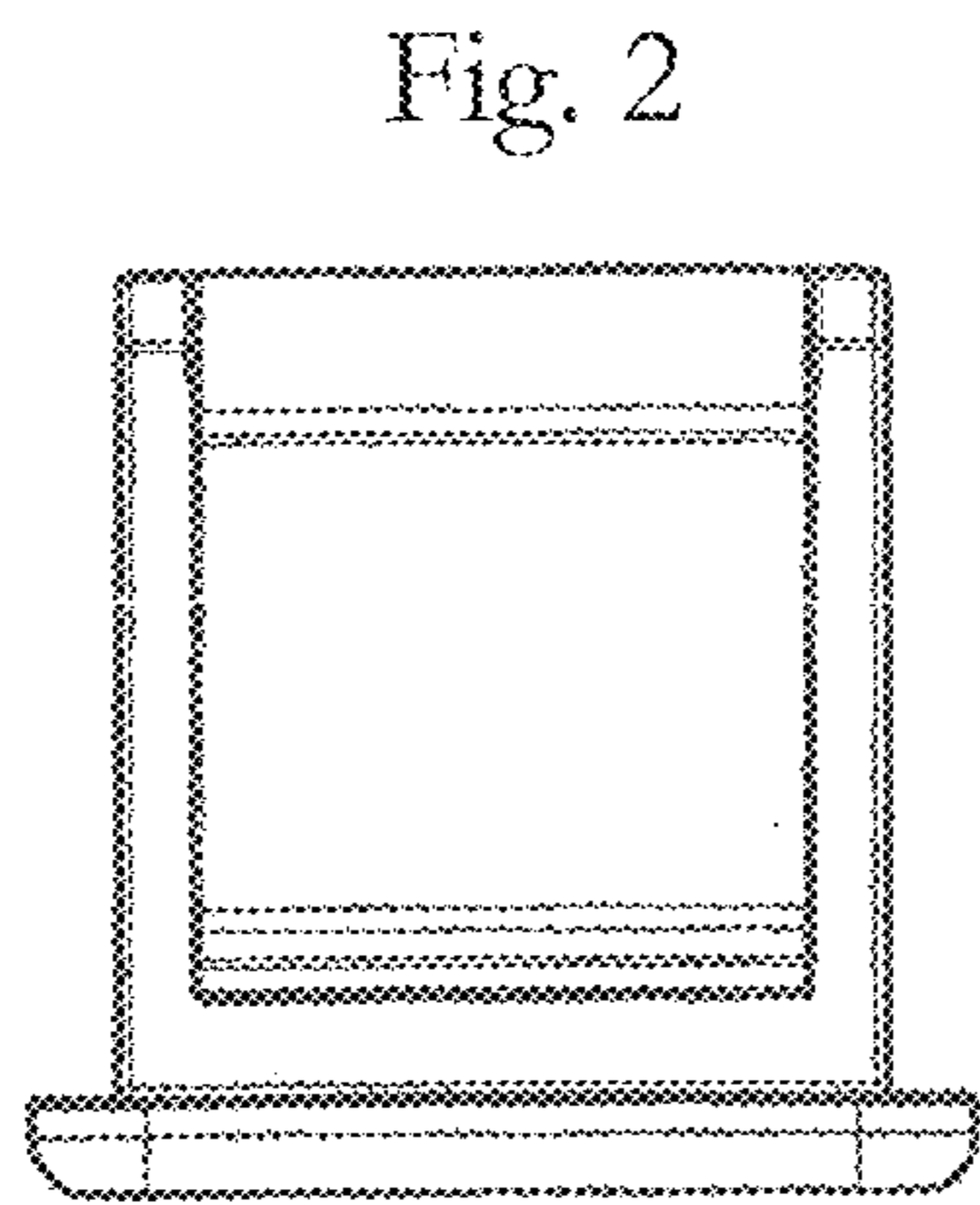
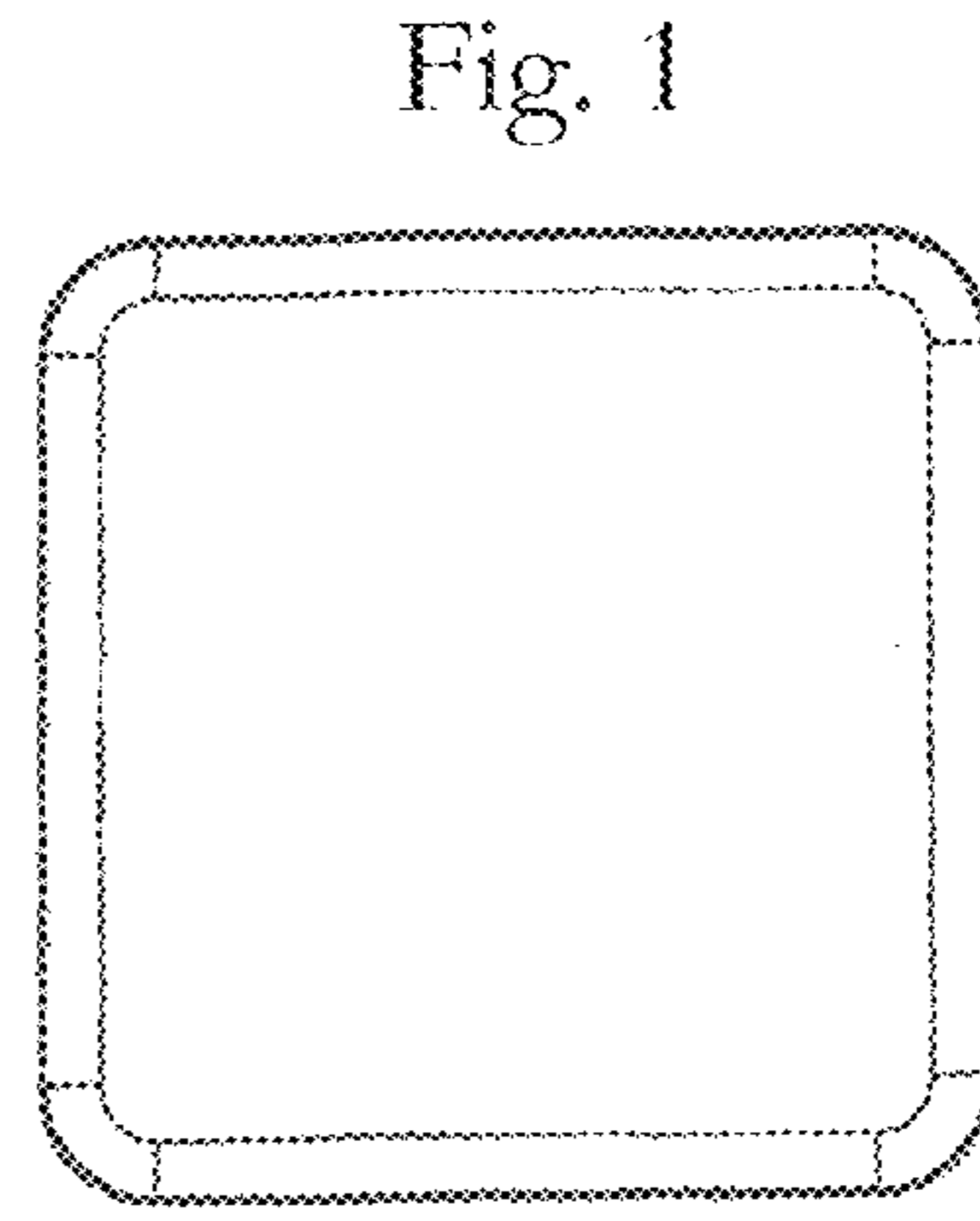
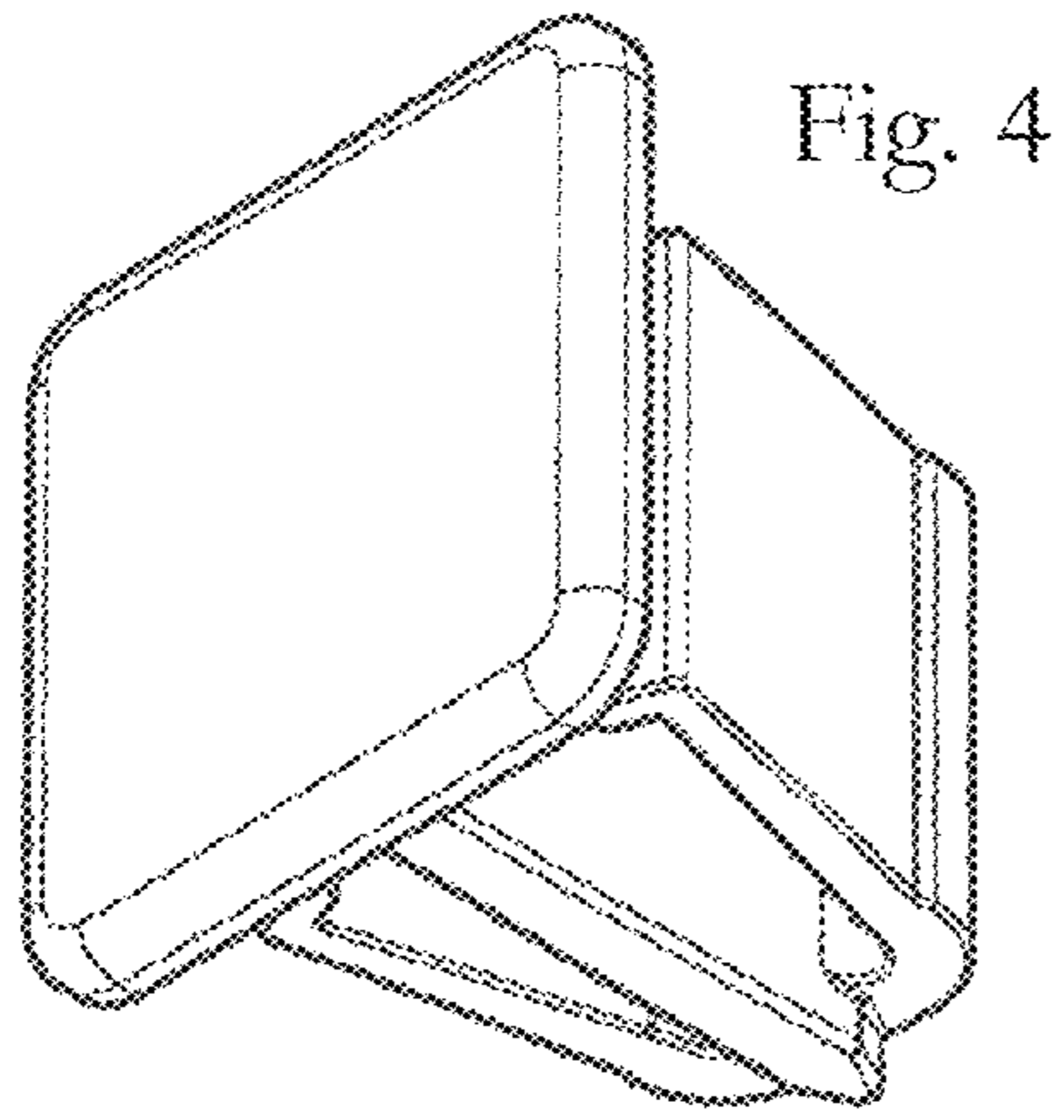
FIG. 8 shows a top view of the holding clamp and two thin walls in the assembled state; and,

FIG. 9 shows a rear view of the holding clamp and two thin walls in the assembled state.

The broken lines in the figures represent environment only and form no part of the claimed design.

1 Claim, 3 Drawing Sheets





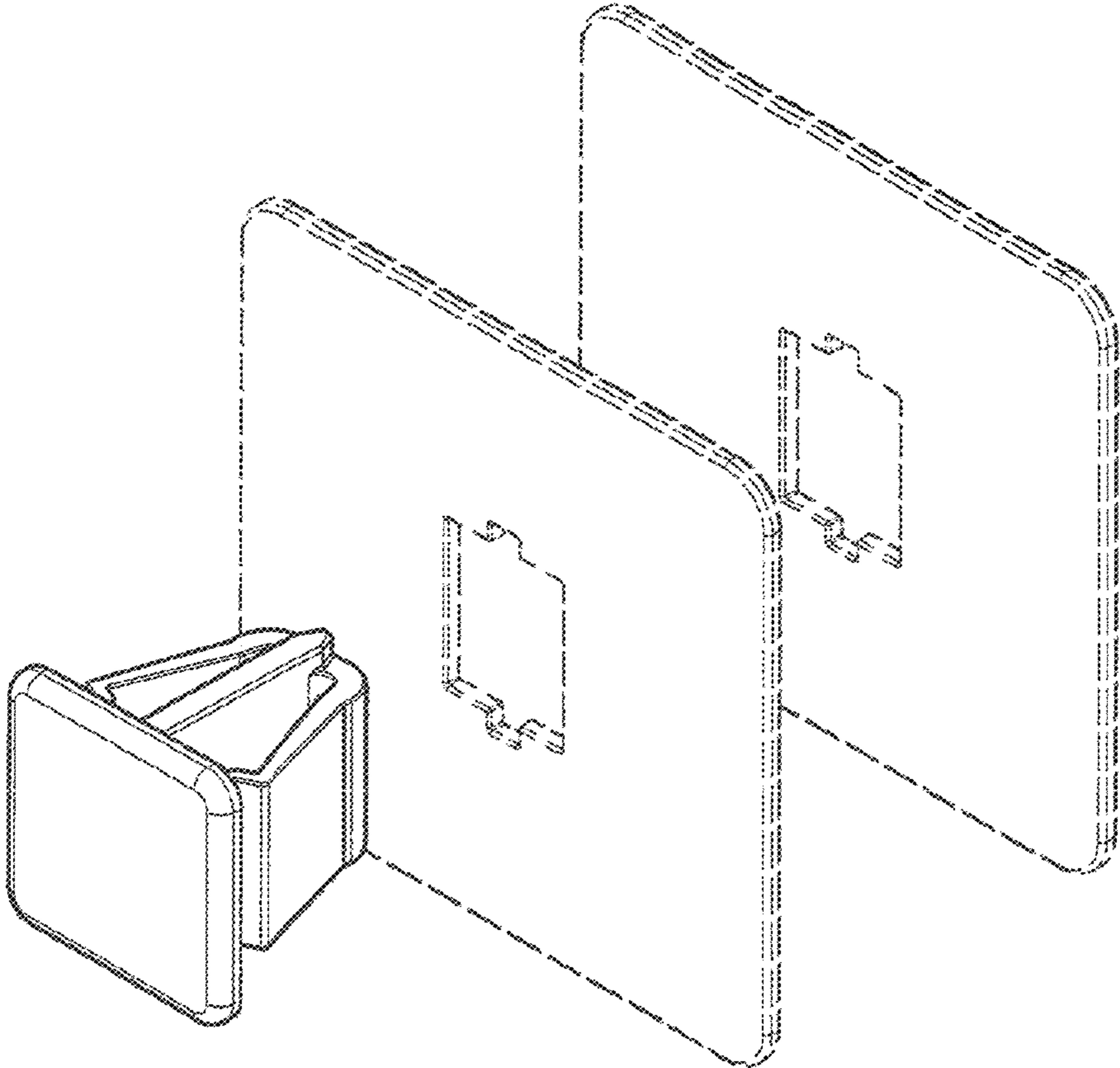


Fig. 7

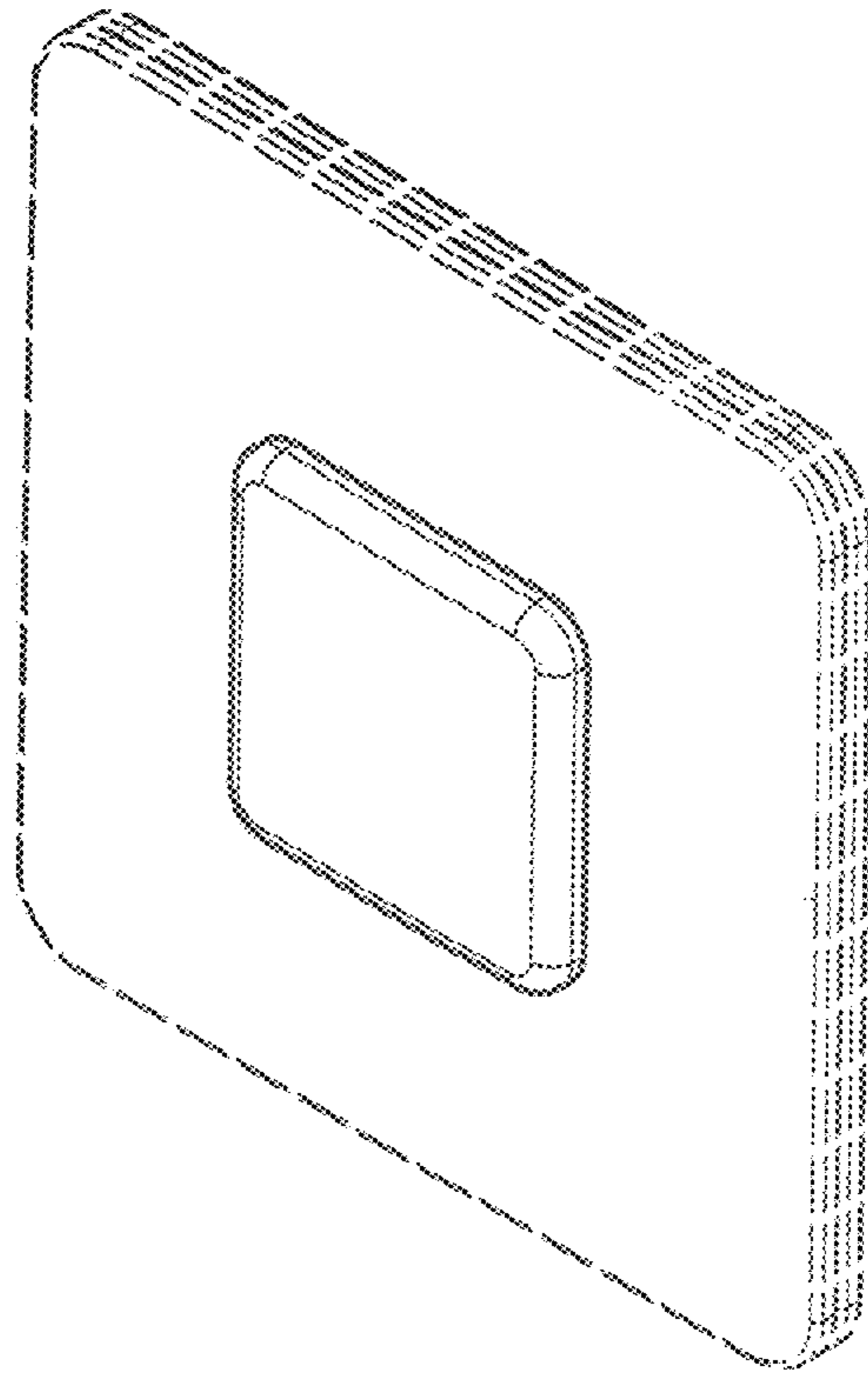


Fig. 8

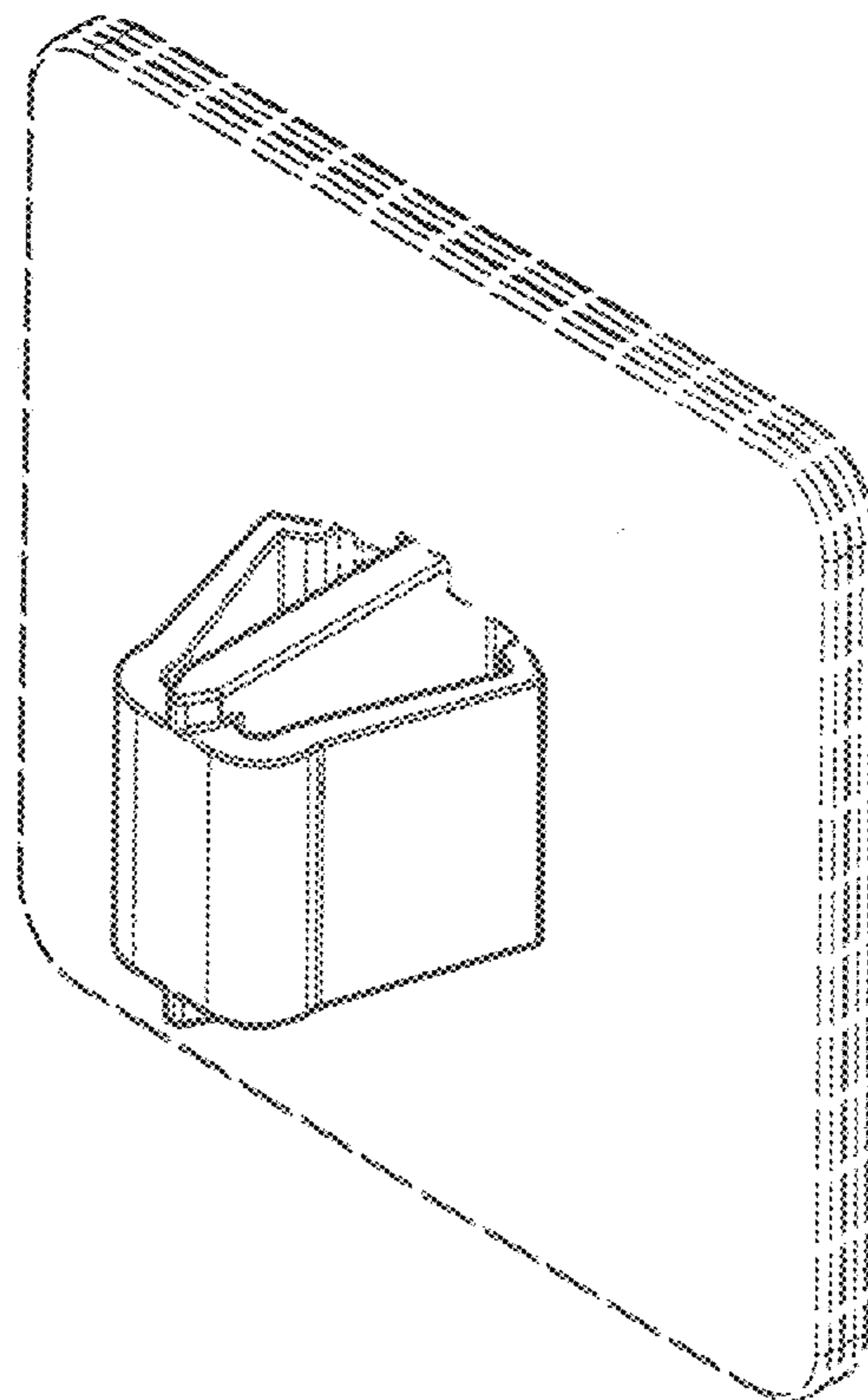


Fig. 9