



US00D722491S

(12) **United States Design Patent**
Ramsauer

(10) **Patent No.:** **US D722,491 S**

(45) **Date of Patent:** **** Feb. 17, 2015**

(54) **HOLDING CLAMP**

(71) Applicant: **Dieter Ramsauer**, Schwelm (DE)

(72) Inventor: **Dieter Ramsauer**, Schwelm (DE)

(**) Term: **14 Years**

(21) Appl. No.: **29/473,341**

(22) Filed: **Nov. 21, 2013**

(30) **Foreign Application Priority Data**

May 25, 2013 (DE) 40 2013 002 319

(51) **LOC (10) Cl.** **08-08**

(52) **U.S. Cl.**
USPC **D8/395**

(58) **Field of Classification Search**
USPC D8/354, 356, 371, 385, 394-396;
D19/65, 86; D24/128; 248/74.2, 215,
248/227.1, 49, 300, 301, 316.7, 51, 489;
24/570, 3.12, 292, 297; D32/61;
D11/78.1; D3/215

See application file for complete search history.

(56) **References Cited**

U.S. PATENT DOCUMENTS

3,205,546	A *	9/1965	Nelson	24/292
3,499,674	A *	3/1970	Burkholder et al.	292/87
D272,743	S *	2/1984	Knox	D15/144
D277,546	S *	2/1985	Trotta	D8/349
4,630,338	A *	12/1986	Osterland et al.	24/293
D335,371	S *	5/1993	Meade	D32/60
5,263,233	A *	11/1993	Kim et al.	24/295
5,759,004	A *	6/1998	Kuffel	411/508
6,203,240	B1 *	3/2001	Hironaka et al.	403/397
6,371,419	B1 *	4/2002	Ohnuki	248/74.2
6,918,162	B2 *	7/2005	Bodo	24/293
D509,726	S *	9/2005	Diller	D8/395
D520,352	S *	5/2006	Knight et al.	D8/395
7,120,971	B2 *	10/2006	Osterland et al.	24/295

7,152,281	B2 *	12/2006	Scroggie	24/297
D548,668	S *	8/2007	Walton et al.	D12/317
7,318,256	B2 *	1/2008	Lubera et al.	24/295
7,784,159	B2 *	8/2010	Dickinson et al.	24/295
8,220,762	B2 *	7/2012	Stigler et al.	248/231.9
D675,512	S *	2/2013	Gary et al.	D8/395
8,370,999	B2 *	2/2013	Camus	24/295
D679,177	S *	4/2013	Craig et al.	D8/395
8,458,862	B2 *	6/2013	Reznar	24/292
8,474,111	B2 *	7/2013	Ribes Marti	24/458
D701,112	S *	3/2014	Ukai et al.	D8/382
8,793,845	B2 *	8/2014	Benedetti et al.	24/292
2004/0238698	A1 *	12/2004	Shereyk et al.	248/71
2007/0284486	A1 *	12/2007	Smutny et al.	248/74.3

* cited by examiner

Primary Examiner — John Windmuller

(74) *Attorney, Agent, or Firm* — Frommer Lawrence & Haug LLP

(57) **CLAIM**

The ornamental design for a holding clamp, as shown and described.

DESCRIPTION

FIG. 1 shows a top view of the holding clamp in accordance with the invention.

FIG. 2 shows a side view of the holding clamp.

FIG. 3 shows a front view of the holding clamp.

FIG. 4 shows a perspective top view of the holding clamp.

FIG. 5 shows a perspective bottom view of the holding clamp.

FIG. 6 shows the holding clamp, thin wall, and retaining clip separately.

FIG. 7 shows the holding clamp, thin wall, and retaining clip in the assembled state.

FIG. 8 shows the holding clamp in connection with a disassembly tool; and,

FIG. 9 shows a perspective view of the holding clamp engaging with the disassembly tool.

The broken lines in the figures represent environment only and form no part of the claimed design.

1 Claim, 5 Drawing Sheets

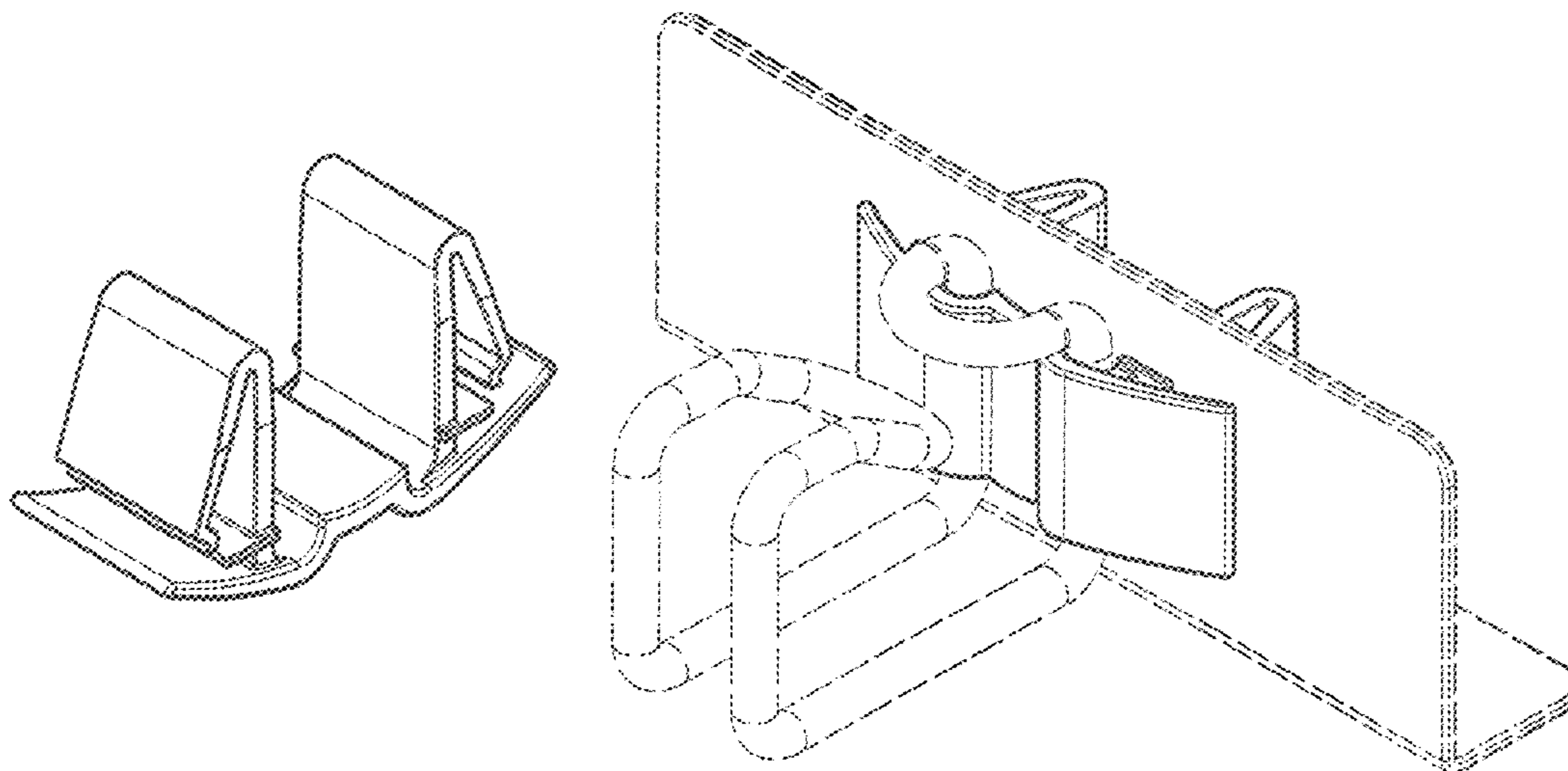


Fig. 1

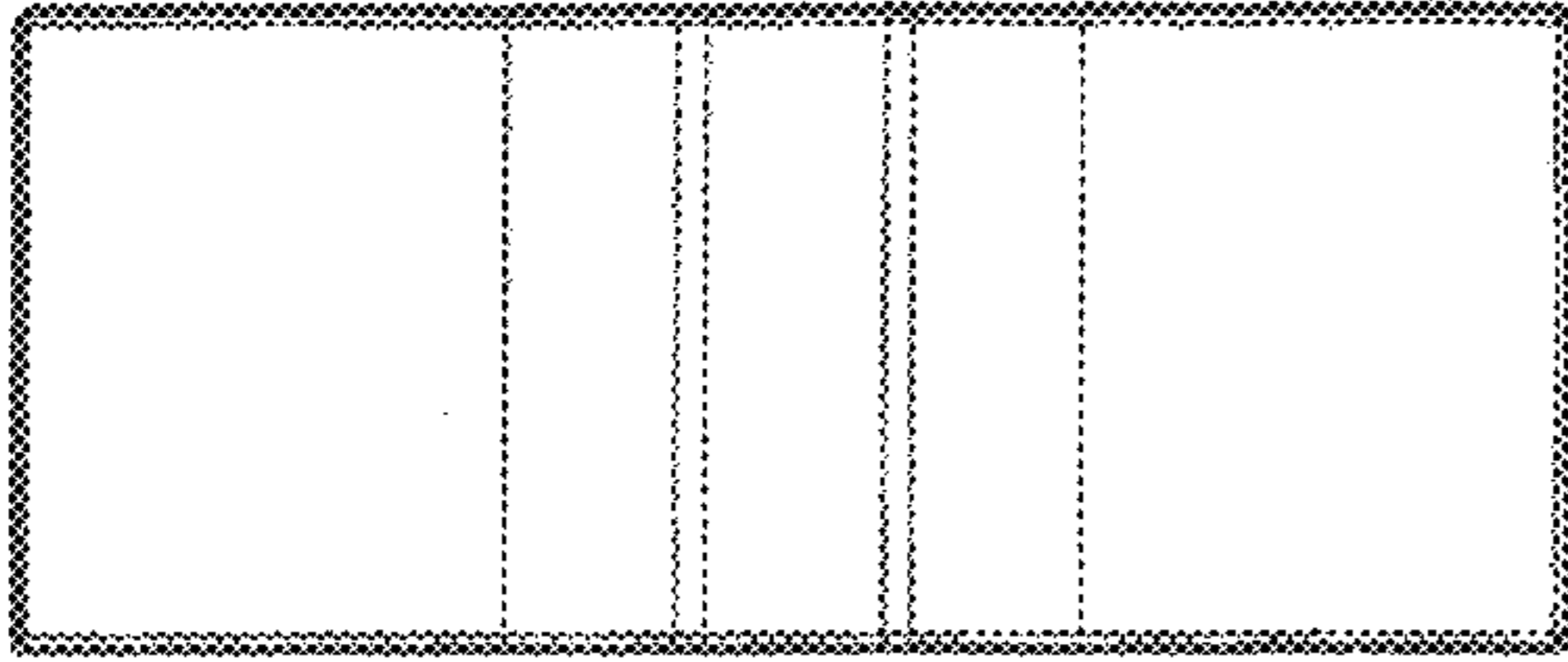


Fig. 2

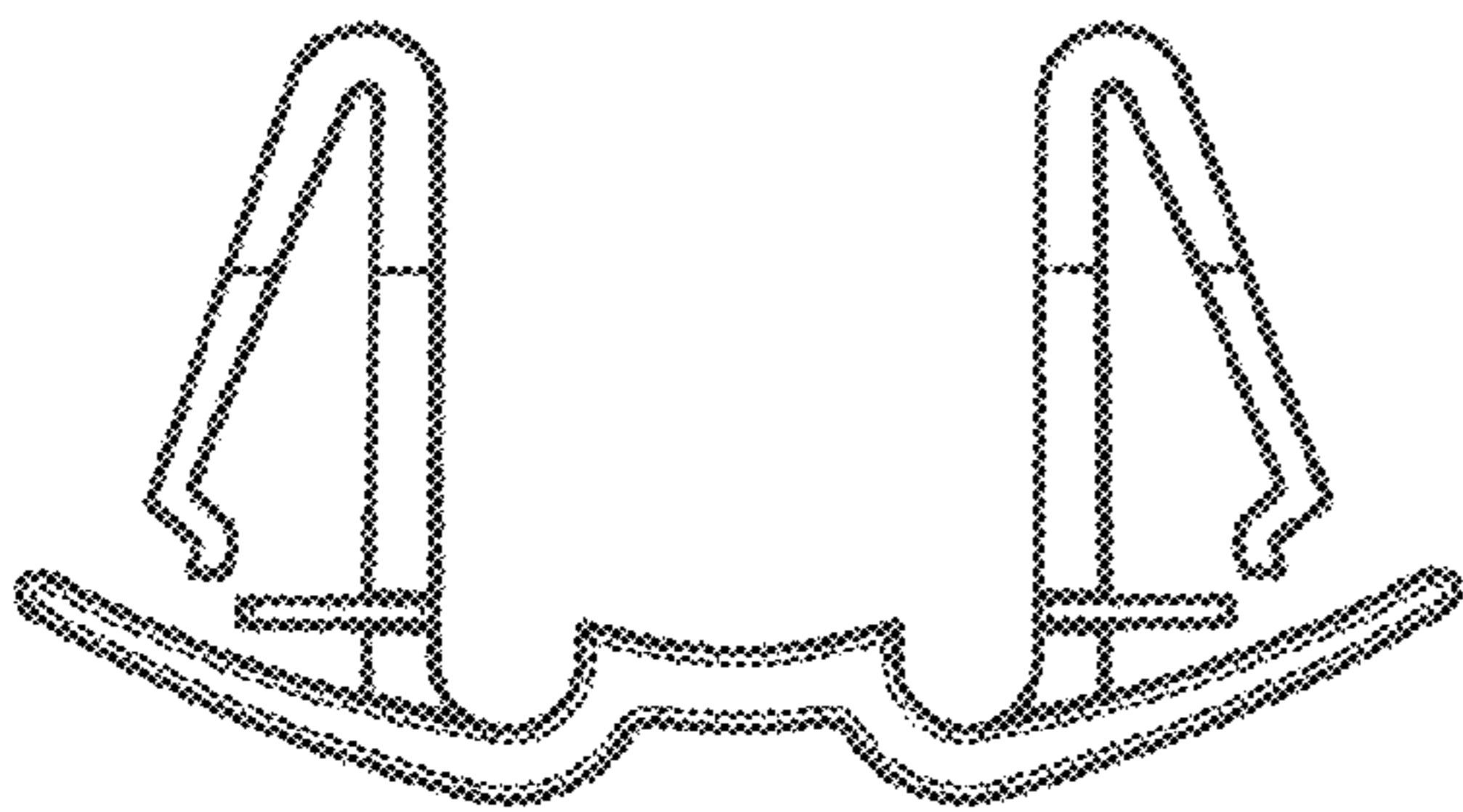
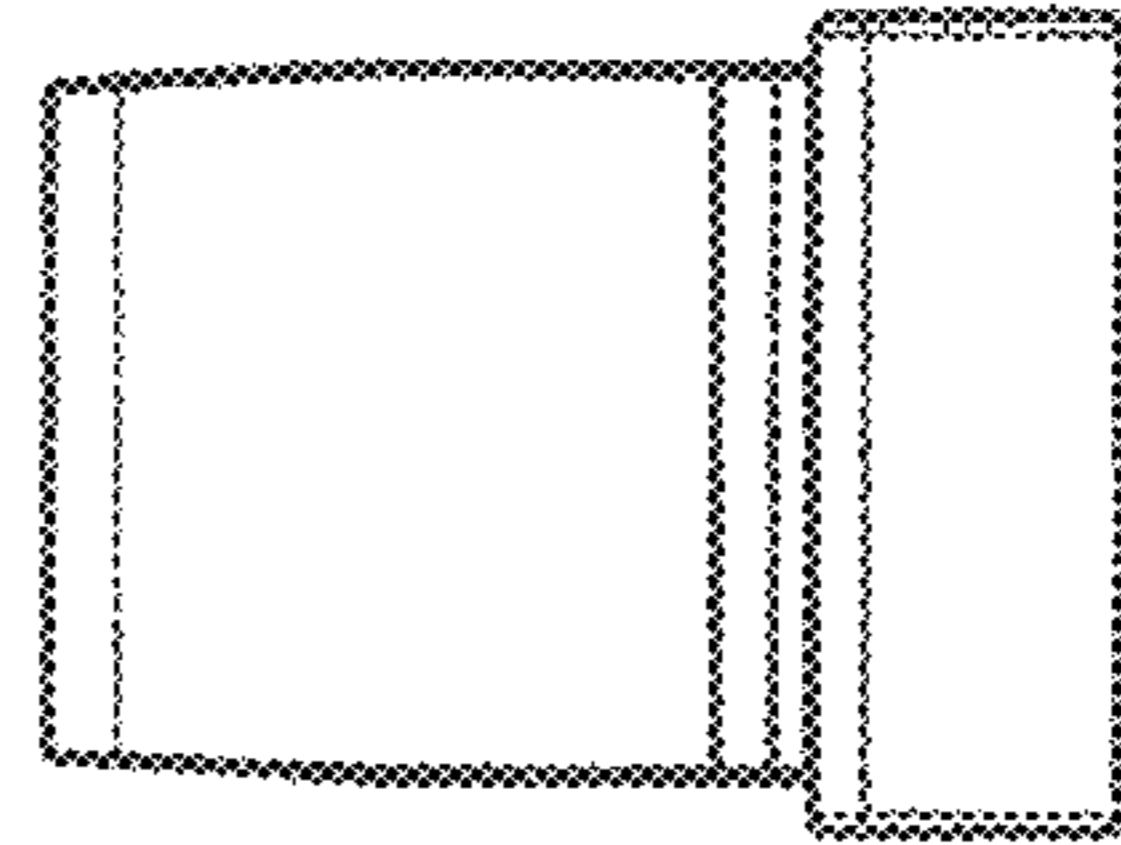


Fig. 3

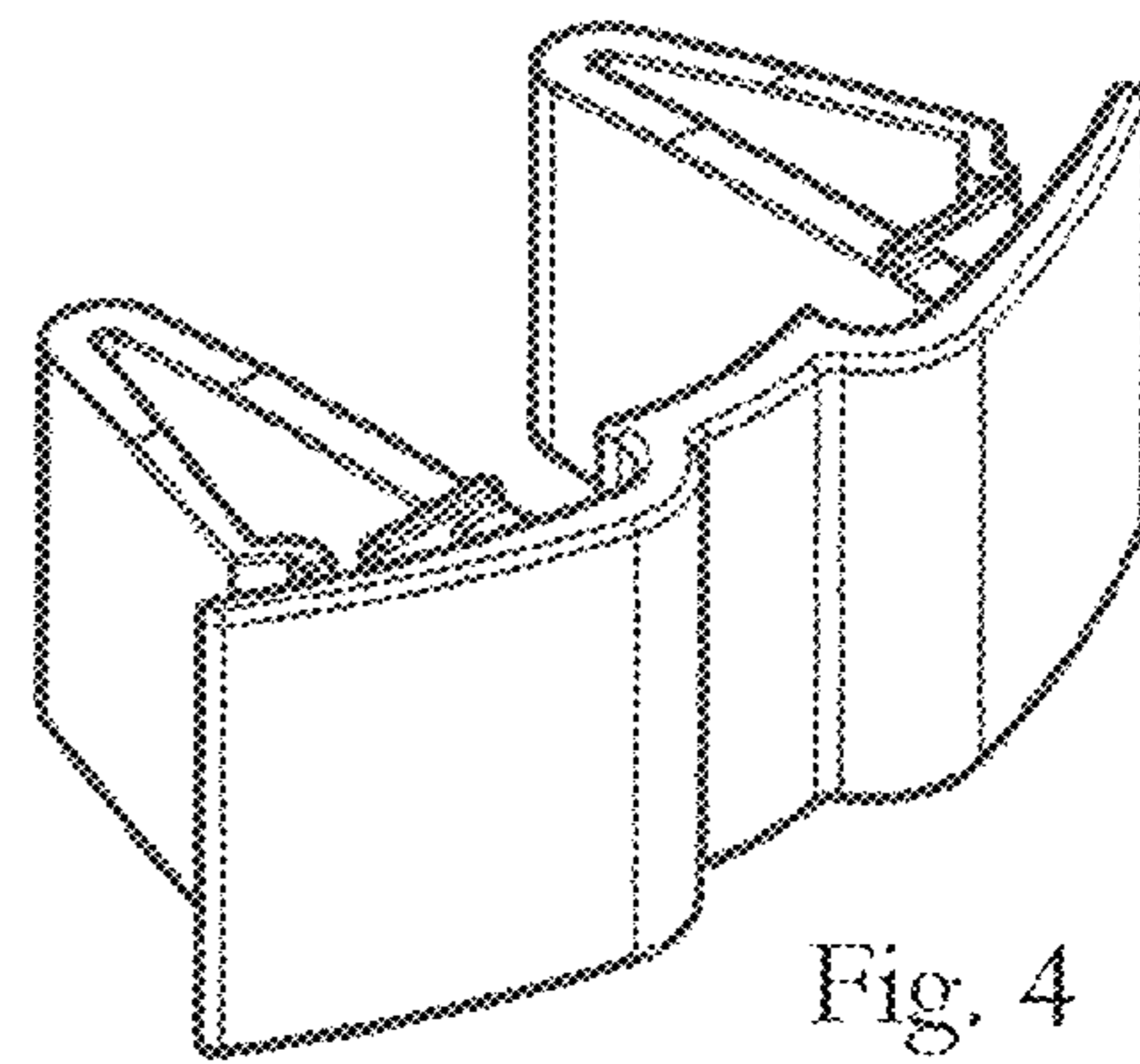


Fig. 4

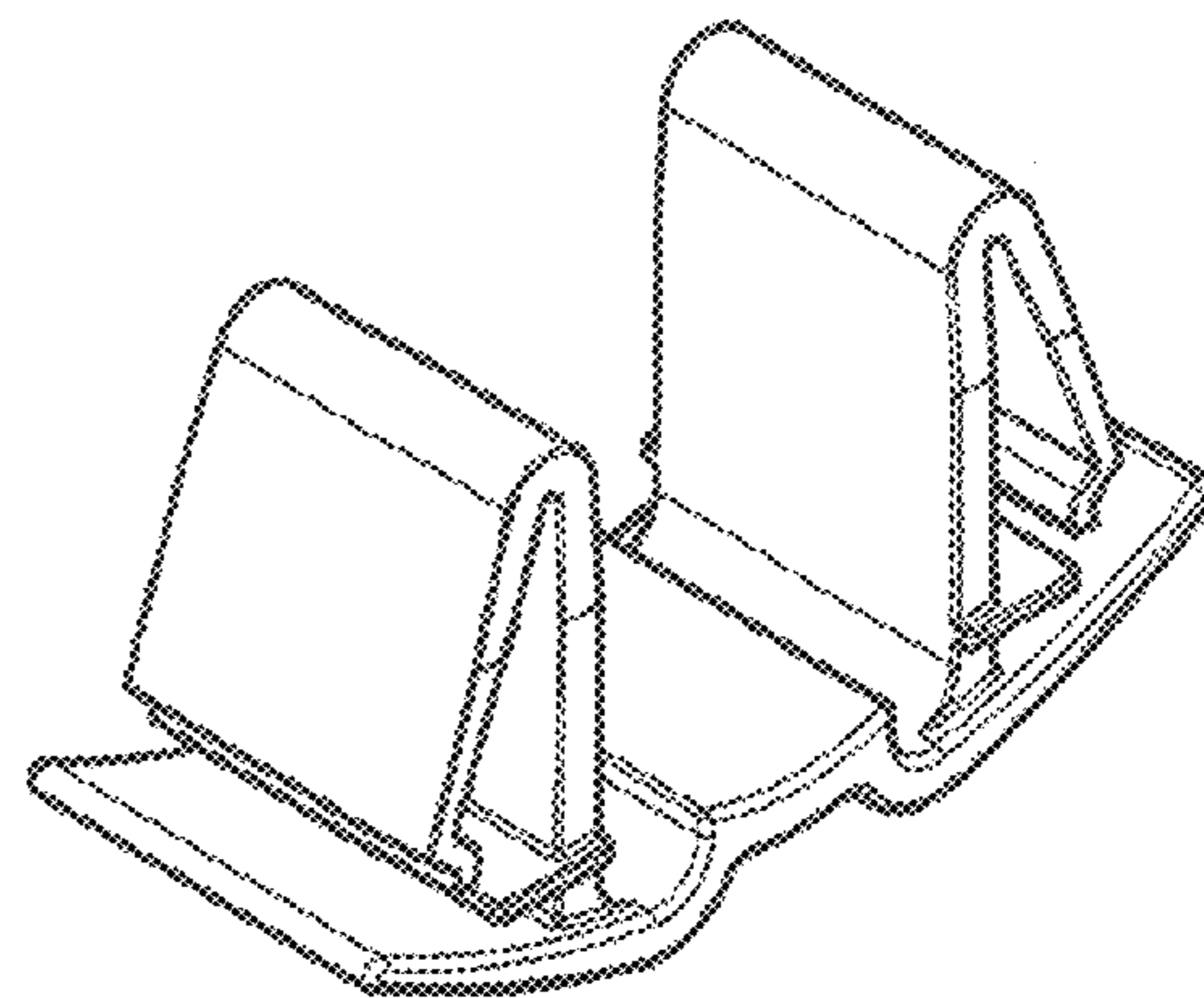


Fig. 5

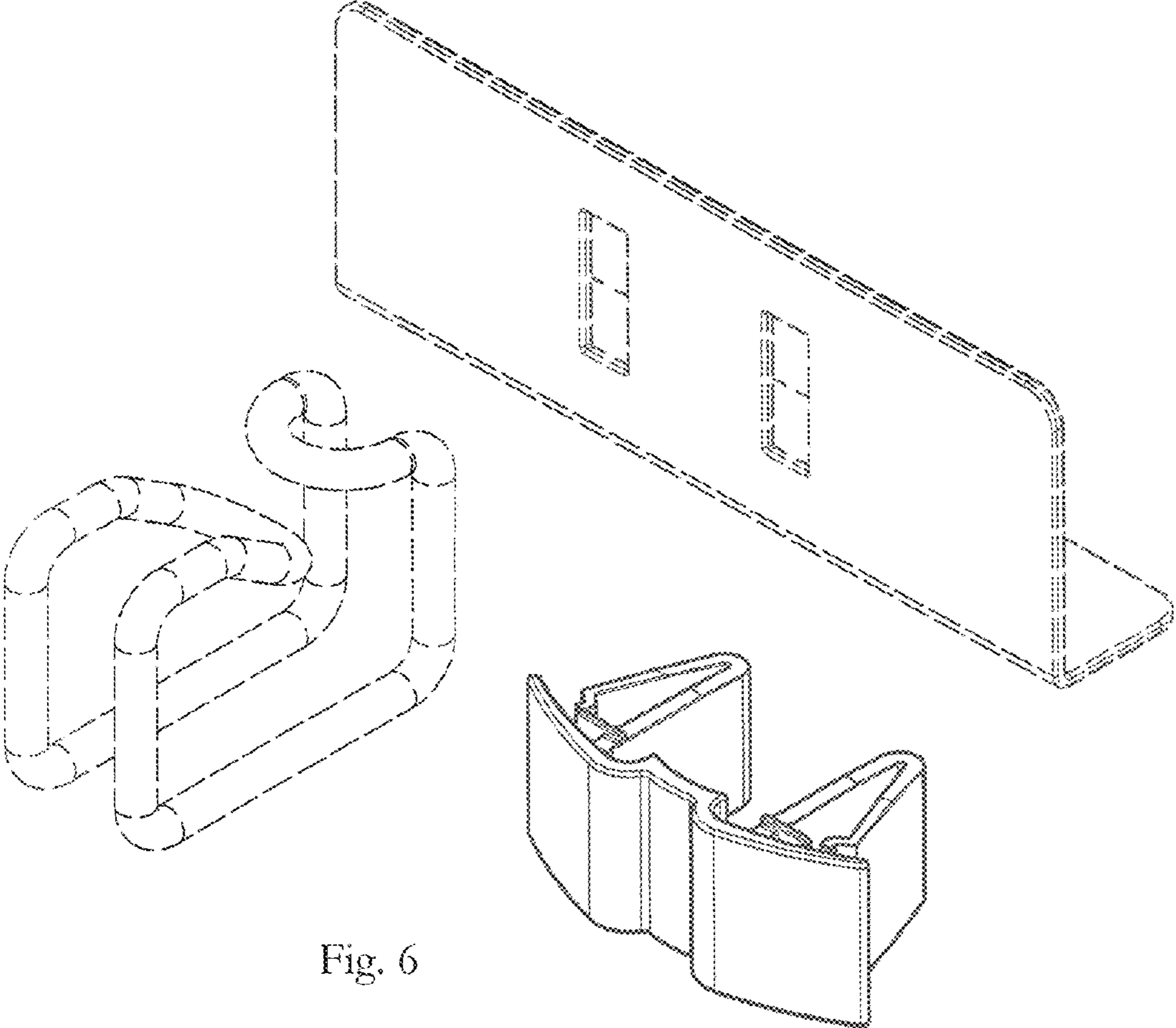


Fig. 6

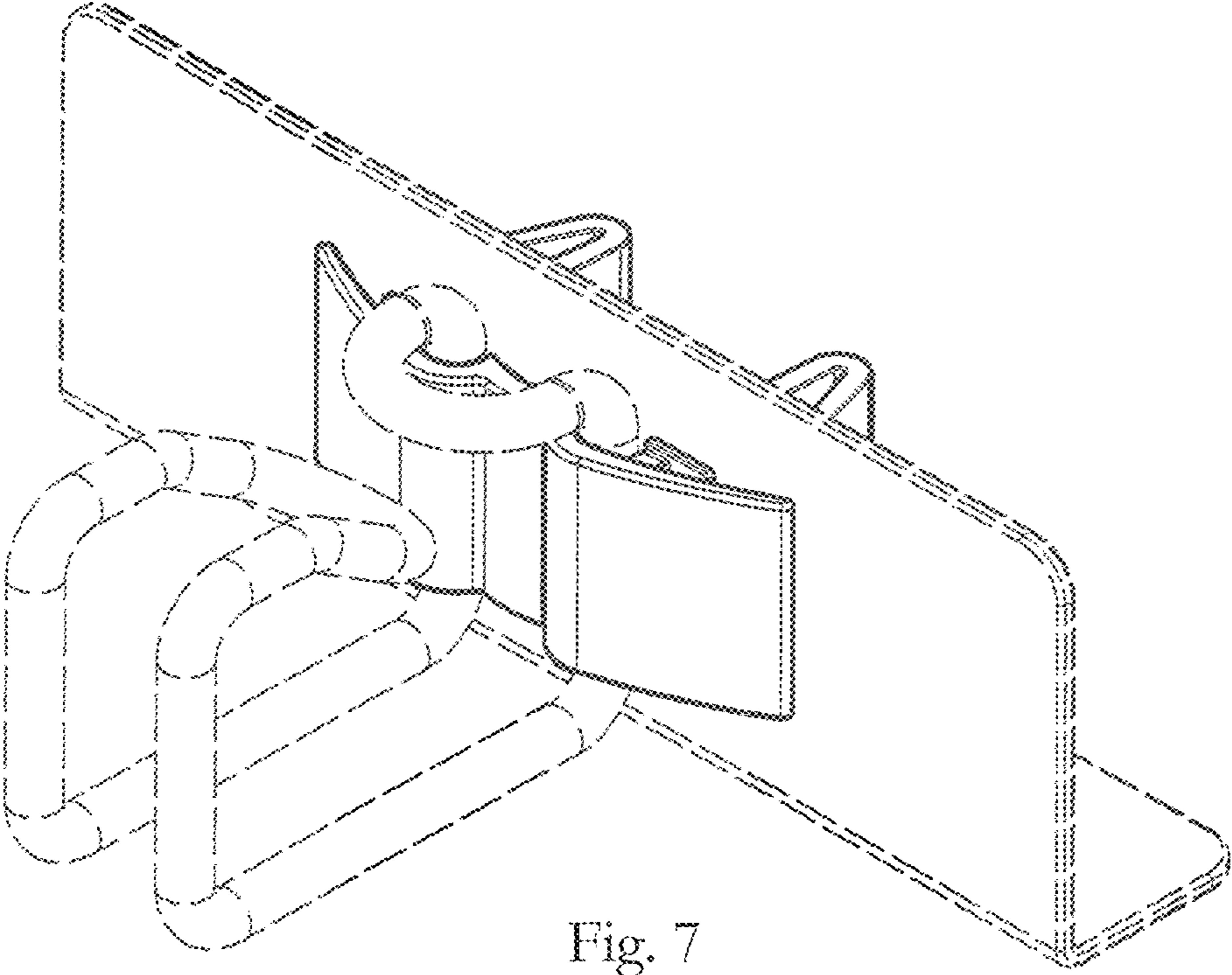


Fig. 7

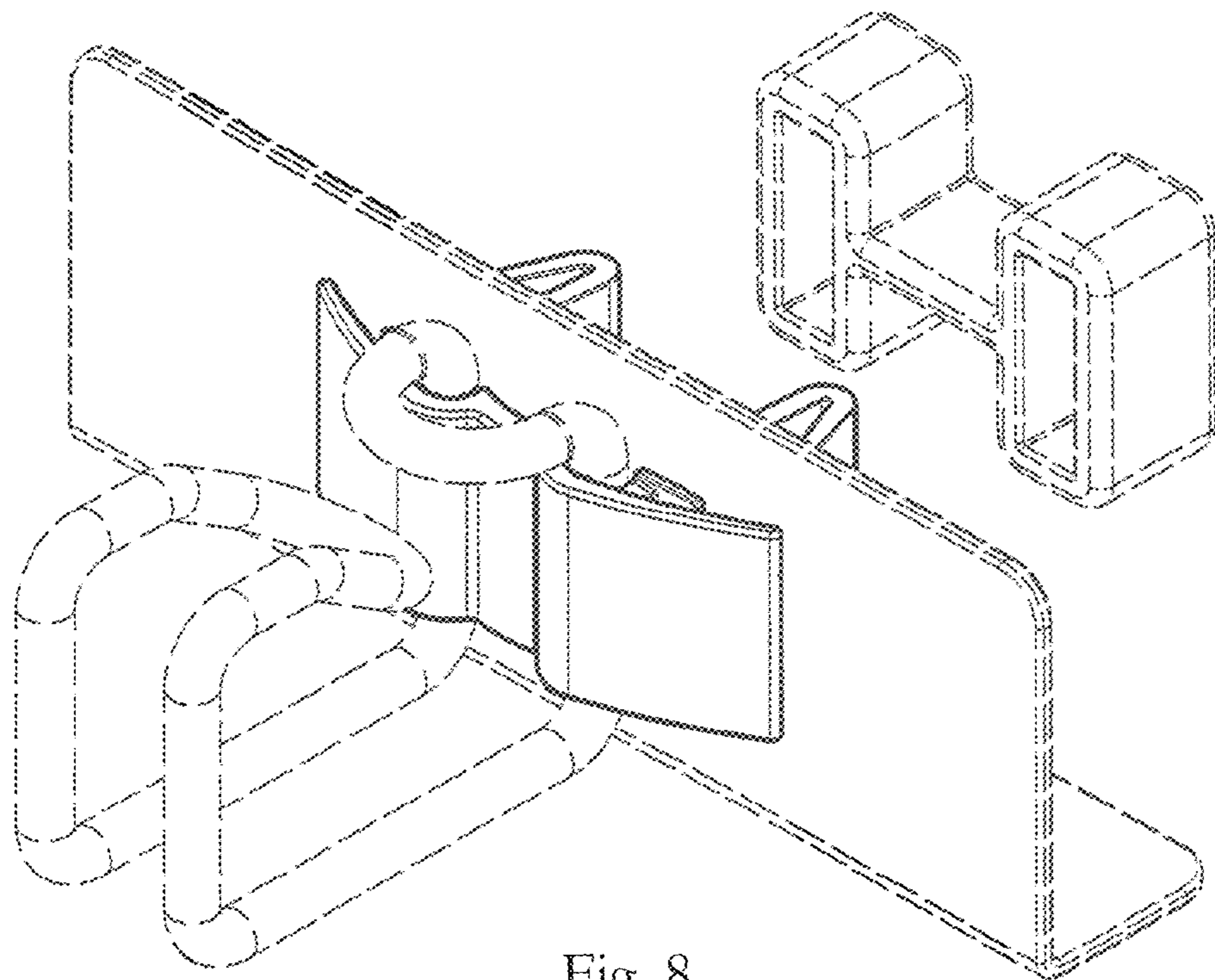


Fig. 8

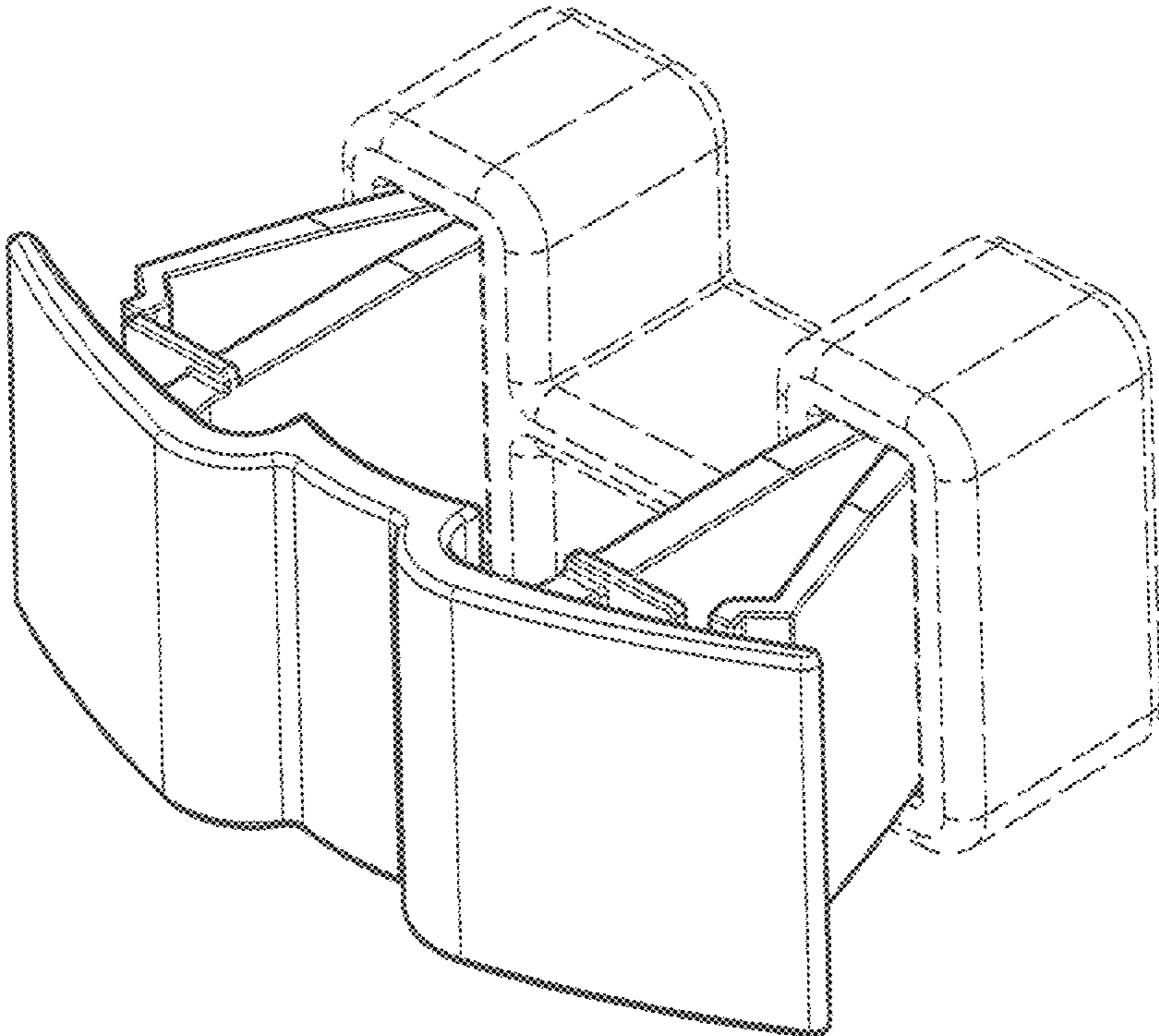


Fig. 9