



US00D722488S

(12) **United States Design Patent**
Lockwood et al.

(10) **Patent No.:** **US D722,488 S**
(45) **Date of Patent:** **** Feb. 17, 2015**

(54) **COMBINED CLOTHESLINE AND PAIR OF MOUNTING BRACKETS FOR A SHOWER CURTAIN ROD**

(71) Applicant: **Focus Products Group International, LLC**, Lincolnshire, IL (US)

(72) Inventors: **Eric Lockwood**, Lincolnshire, IL (US); **Scott Shwerman**, Lincolnshire, IL (US); **Christopher Dorion**, Lincolnshire, IL (US); **Michael Mastroianni**, Lincolnshire, IL (US); **Helmut Rosenberg**, Lincolnshire, IL (US)

(73) Assignee: **Focus Products Group, LLC**, Lincolnshire, IL (US)

(**) Term: **14 Years**

(21) Appl. No.: **29/449,459**

(22) Filed: **Mar. 15, 2013**

(51) **LOC (10) Cl.** **08-05**

(52) **U.S. Cl.**
USPC **D8/376**

(58) **Field of Classification Search**
CPC ... A47K 3/38; A47K 2003/307; A47K 10/10; A47K 3/302
USPC D8/380, 349, 354, 381, 373, 367, 355, D8/363, 382, 374, 339, 376; 119/705; 52/4, 260, 649.1, 649.2, 296; D6/702, D6/550, 605, 607, 610; D23/259; 482/16; D12/160; D25/133; D14/238, 251; 224/250, 269, 901.4, 930, 242, 246, 224/669

See application file for complete search history.

(56) **References Cited**

U.S. PATENT DOCUMENTS

D136,689 S * 11/1943 Teninty D8/380
D199,391 S * 10/1964 Van Riper D8/363
D220,829 S * 6/1971 William D8/380
D250,222 S * 11/1978 Clark et al. D8/363

D410,373 S * 6/1999 Whitaker et al. D8/349
D417,605 S * 12/1999 Sartini et al. D8/363
D431,000 S * 9/2000 Parks et al. D8/380
D432,903 S * 10/2000 Cohen et al. D8/373
D434,306 S * 11/2000 Brown D8/373
D557,590 S * 12/2007 Moore D8/363
D585,268 S * 1/2009 Woolley D8/380
D712,727 S * 9/2014 Geiger D8/382

* cited by examiner

Primary Examiner — Robert M Spear

Assistant Examiner — Eliza Bennett-Hattan

(74) *Attorney, Agent, or Firm* — Thompson Coburn LLP

(57) **CLAIM**

The ornamental design of the combined clothesline and pair of mounting brackets for a shower curtain rod, as shown and described.

DESCRIPTION

FIG. 1 is a front view of the combined clothesline and pair of mounting brackets for a shower curtain rod design of the invention.

FIG. 2 is a top view of the combined clothesline and pair of mounting brackets for a shower curtain rod design of the invention.

FIG. 3 is a bottom view of the combined clothesline and pair of mounting brackets for a shower curtain rod design of the invention.

FIG. 4 is a left view of the combined clothesline and pair of mounting brackets for a shower curtain rod design of the invention.

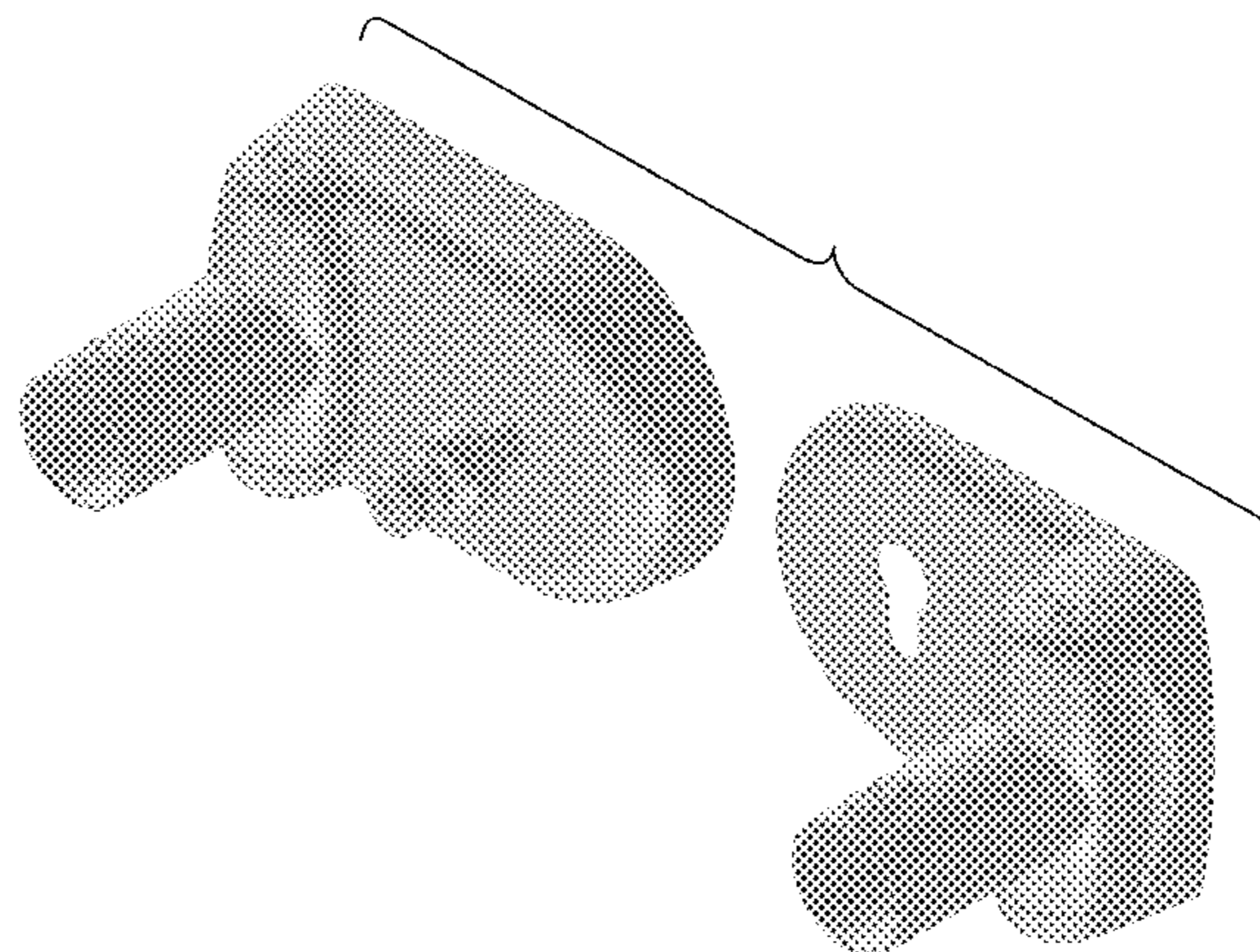
FIG. 5 is a right view of the combined clothesline and pair of mounting brackets for a shower curtain rod design of the invention.

FIG. 6 is a perspective view showing the top, front, and right sides of the combined clothesline and pair of mounting brackets for a shower curtain rod design of the invention; and,

FIG. 7 is a perspective view showing the bottom, left, and front sides of the combined clothesline and pair of mounting brackets for a shower curtain rod design of the invention.

No claim is made to the rear faces of the mounting brackets.

1 Claim, 3 Drawing Sheets



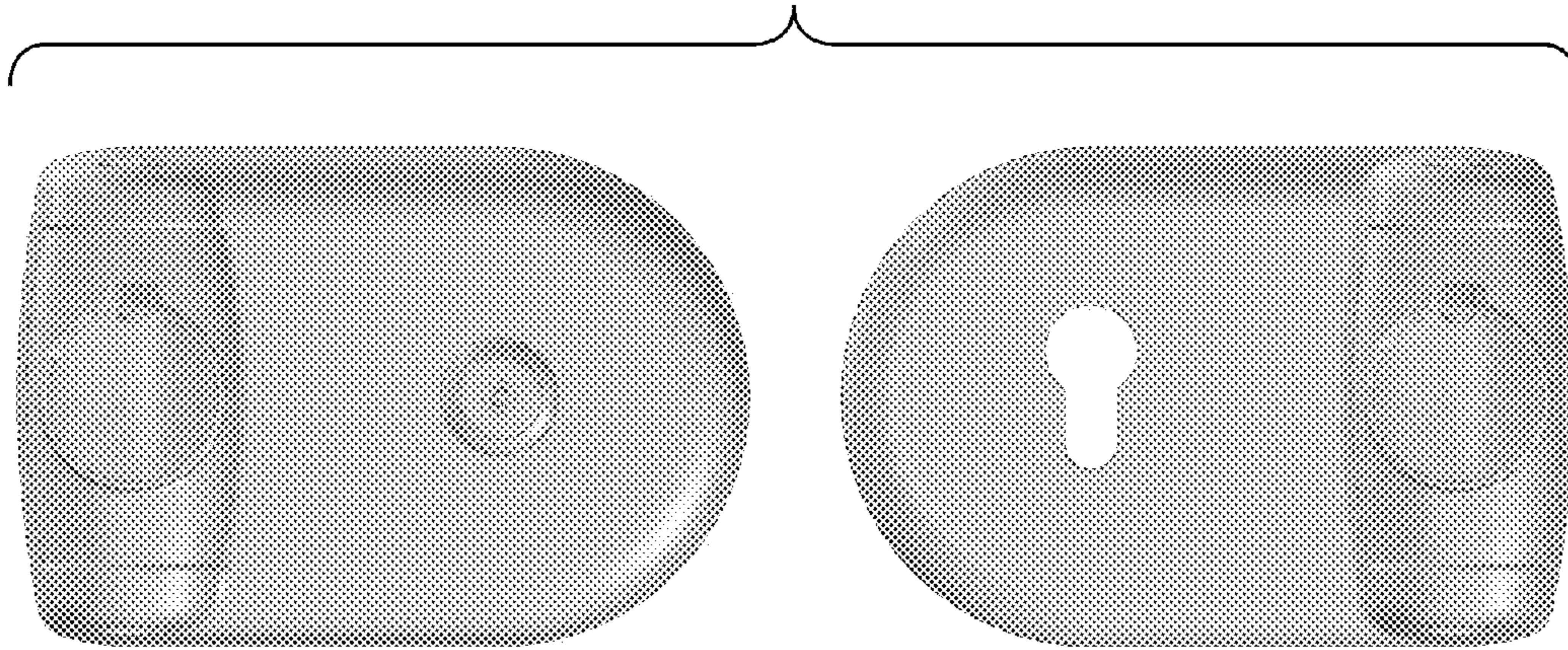


FIG. 1

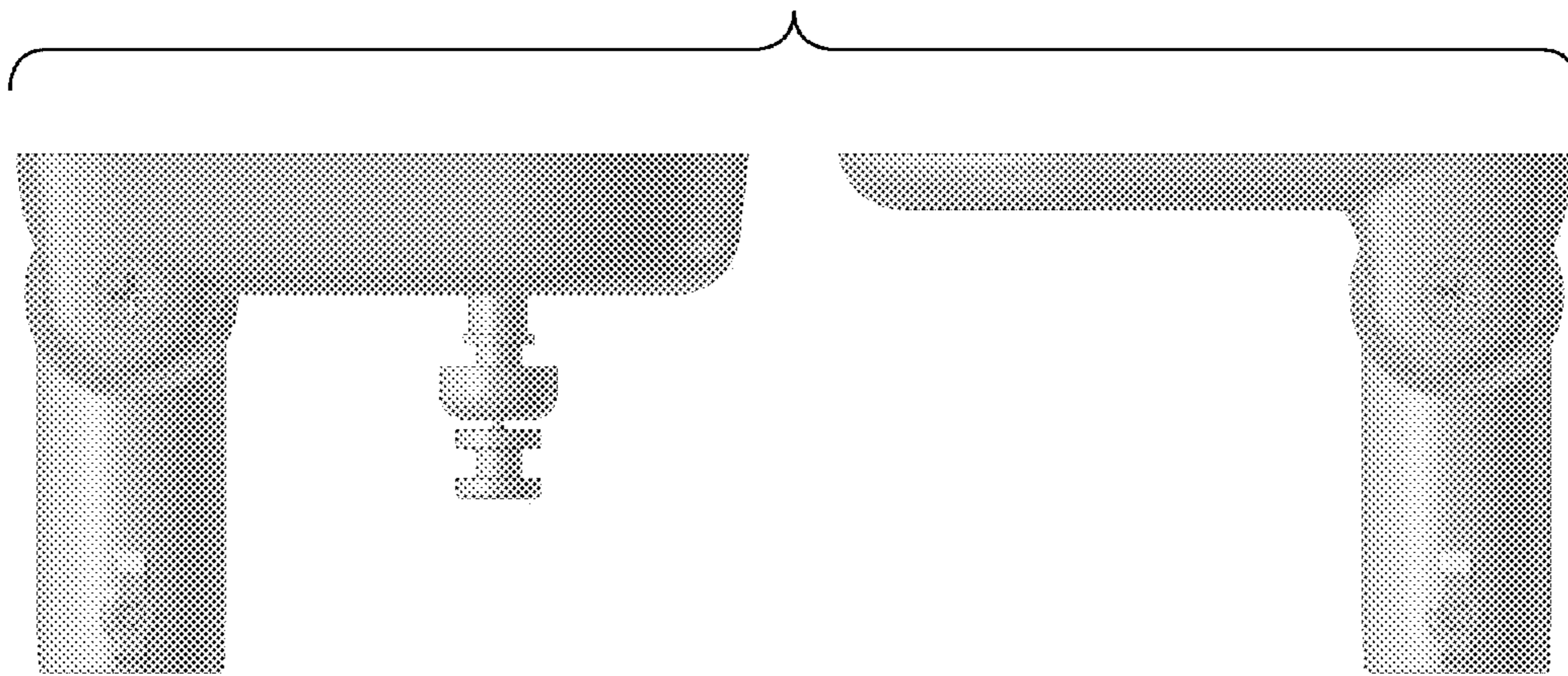


FIG. 2

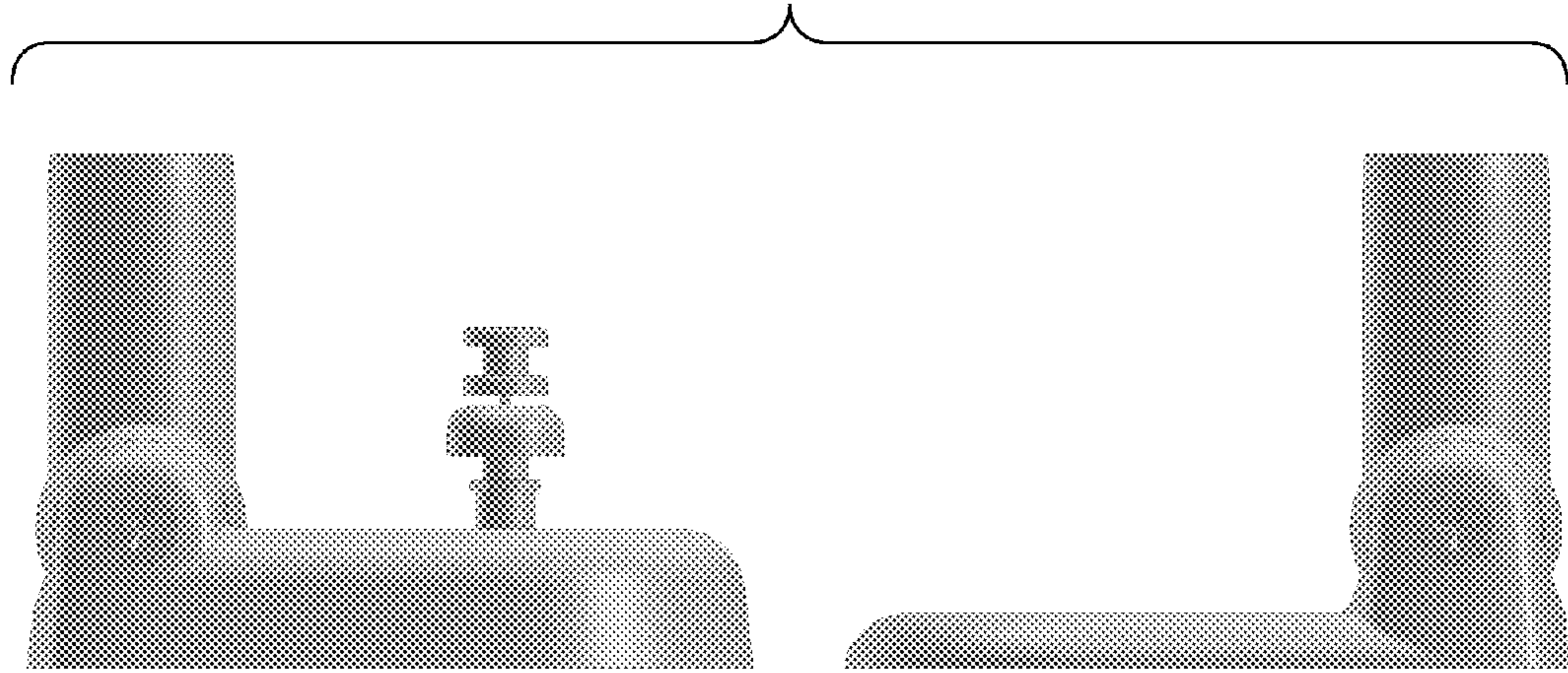


FIG. 3

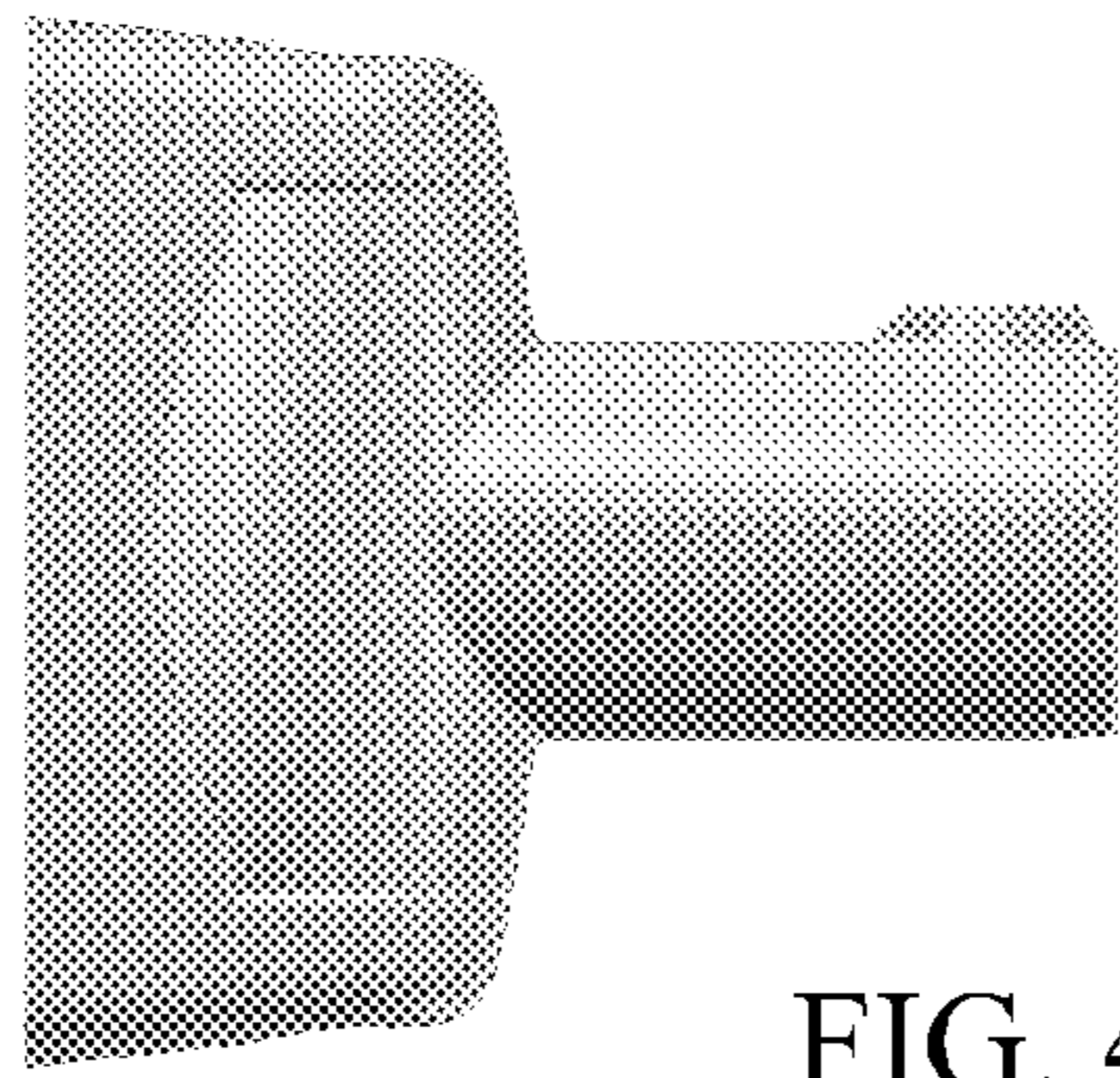


FIG. 4

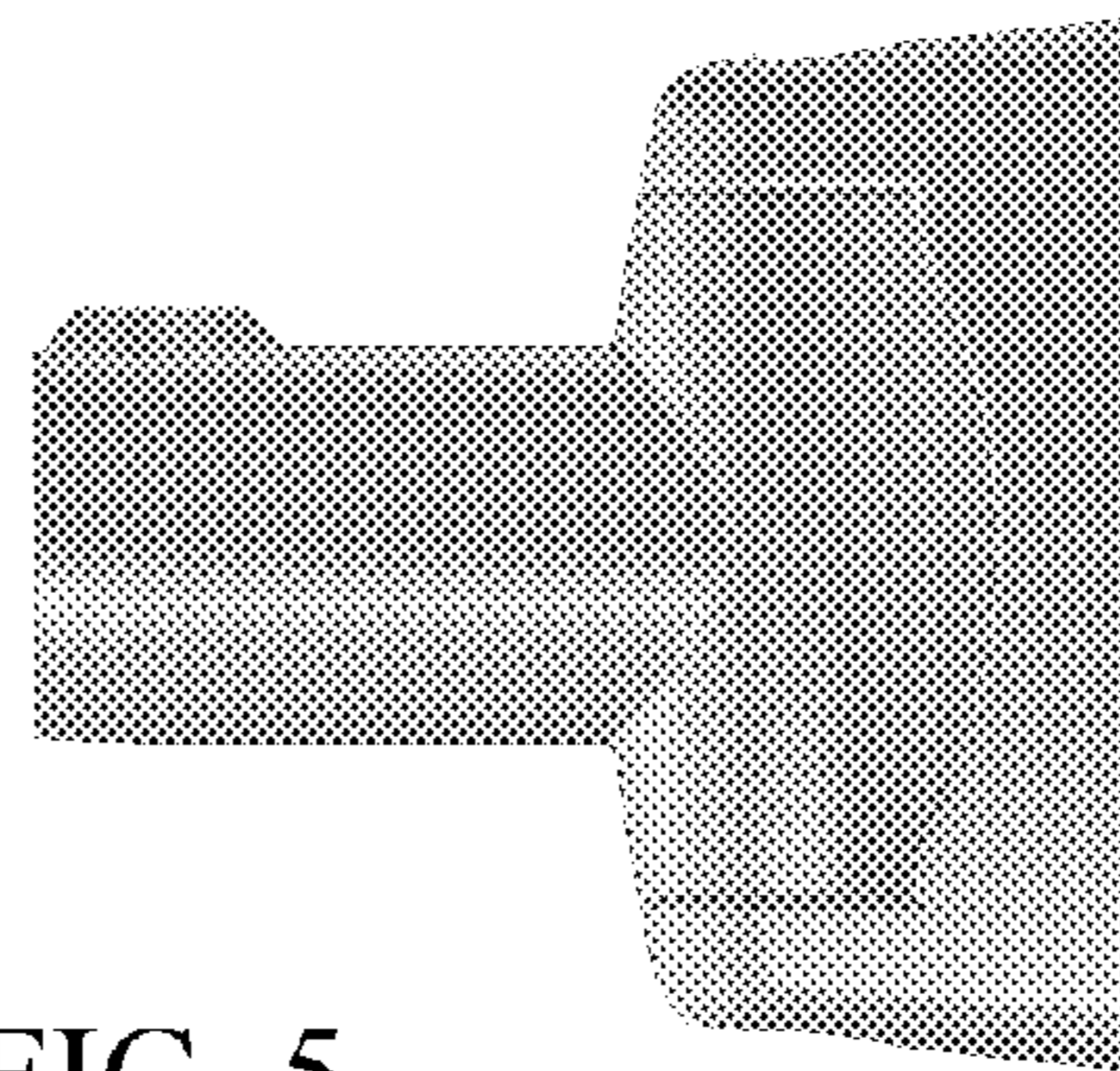


FIG. 5

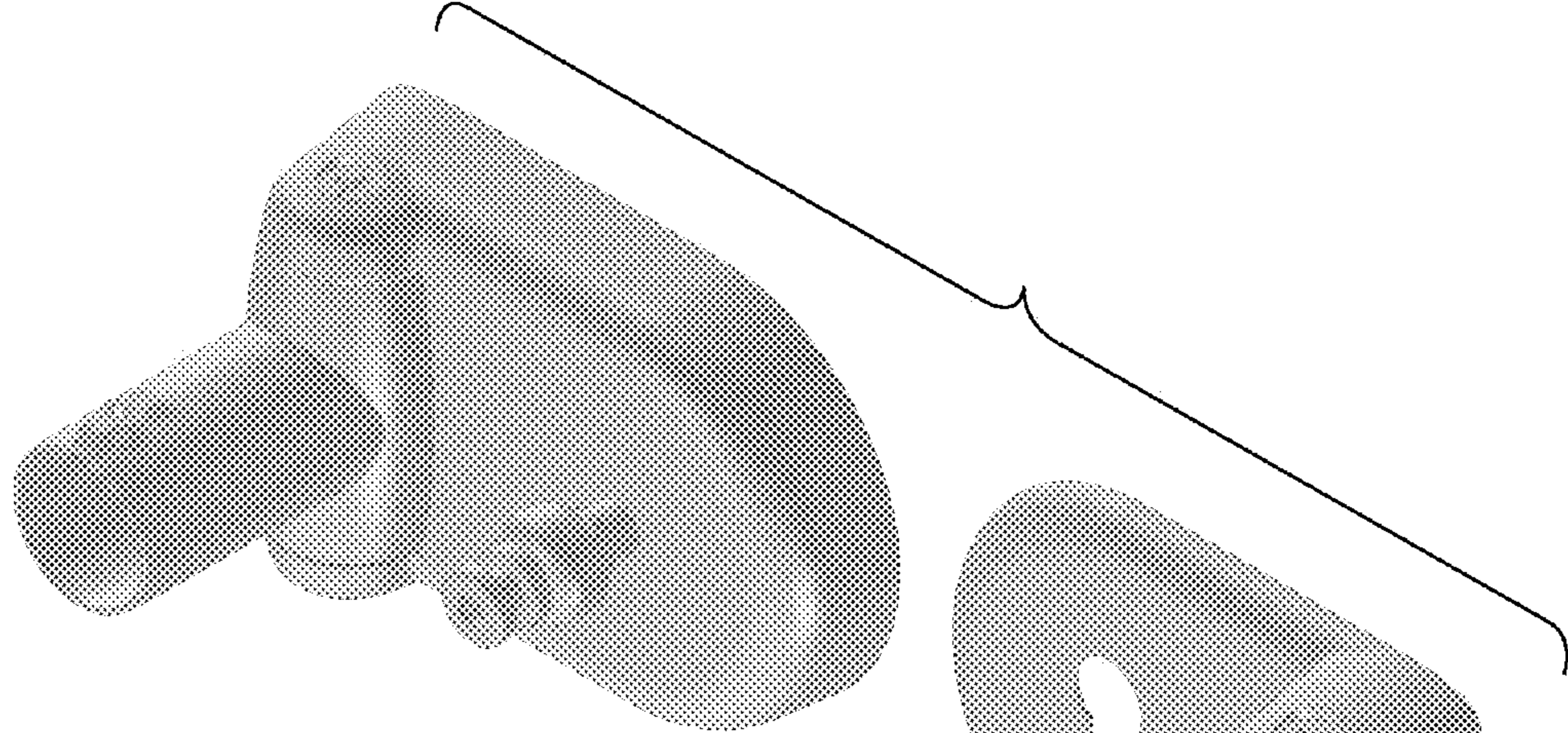


FIG. 6

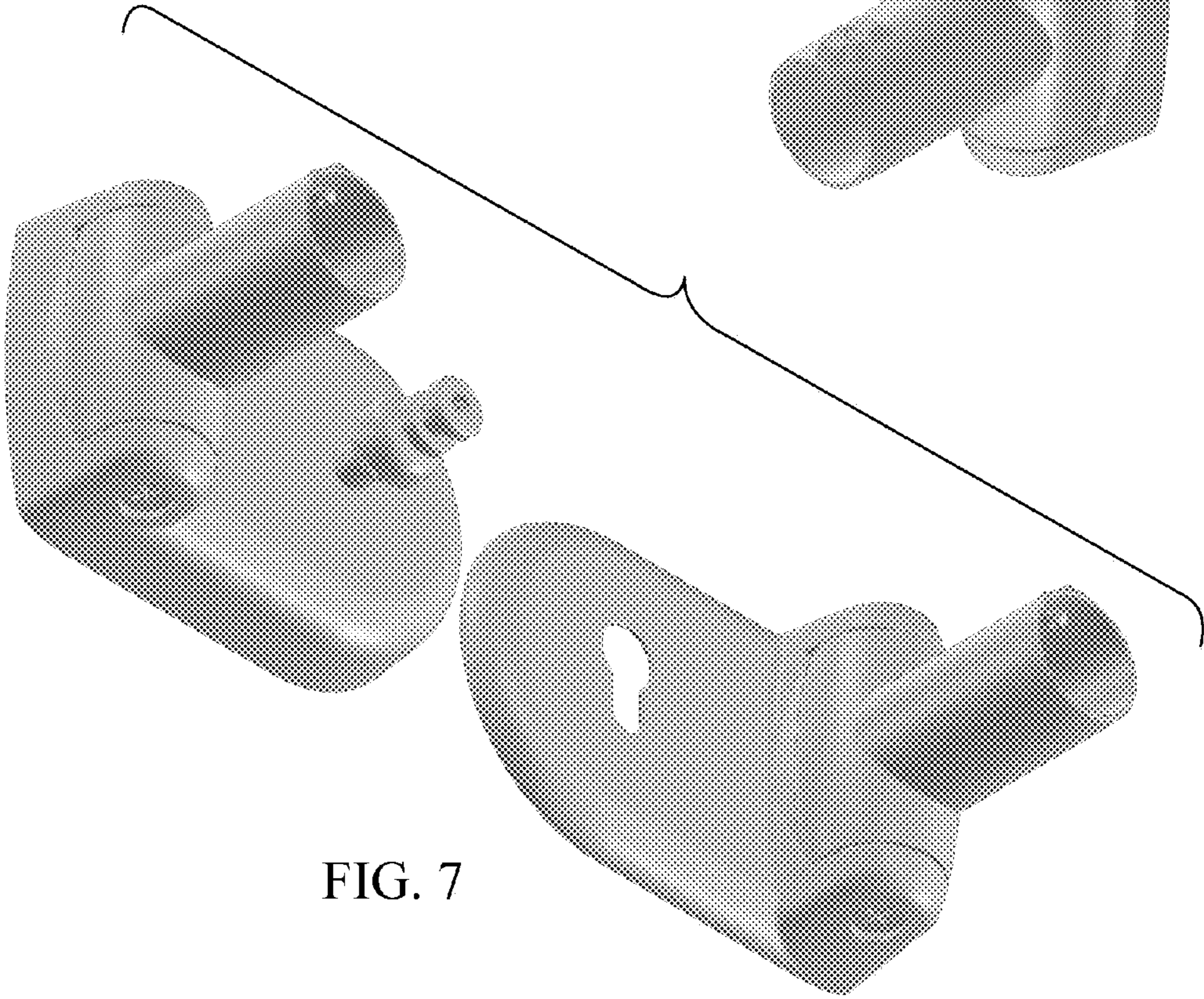


FIG. 7