



US00D722487S

(12) **United States Design Patent**
Miller

(10) **Patent No.:** **US D722,487 S**

(45) **Date of Patent:** **** Feb. 17, 2015**

(54) **HOUSING ASSEMBLY OF A ROPE GRAB**

6,279,680 B1 8/2001 Casebolt
6,457,556 B1 10/2002 Skade et al.
6,725,969 B1 4/2004 Meister

(71) Applicant: **D B Industries, LLC**, Red Wing, MN
(US)

(Continued)

(72) Inventor: **Rick G. Miller**, Hastings, MN (US)

FOREIGN PATENT DOCUMENTS

(73) Assignee: **D B Industries, LLC**, Red Wing, MN
(US)

CA 1030732 5/1978
DE 28 12 073 6/1979

(Continued)

(**) Term: **14 Years**

OTHER PUBLICATIONS

(21) Appl. No.: **29/454,561**

(22) Filed: **May 10, 2013**

SE 70, Operation & Maintenance instructions for the Söll Vi-Go type safe climbing system with guided type fall arrester, (Miller by Sperian) Sep. 10, 2008 [online], [retrieved on May 7, 2009] Retrieved from the Vi-Go—Vertical Arrest System webpage <http://www.steigschutz.de/xist4c/web/Vi-Go_id_14703_.htm>, 21 pages.

(51) **LOC (10) Cl.** **08-05**

(52) **U.S. Cl.**
USPC **D8/356**

(58) **Field of Classification Search**
USPC D8/356, 354, 349, 330, 331, 383;
439/501; 70/421, 371, 369, 208;
D22/108; D11/216

Primary Examiner — Cynthia Underwood
(74) *Attorney, Agent, or Firm* — IPLM Group, P.A.

(57) **CLAIM**
The ornamental design for a housing assembly of a rope grab, as shown and described.

See application file for complete search history.

DESCRIPTION

(56) **References Cited**

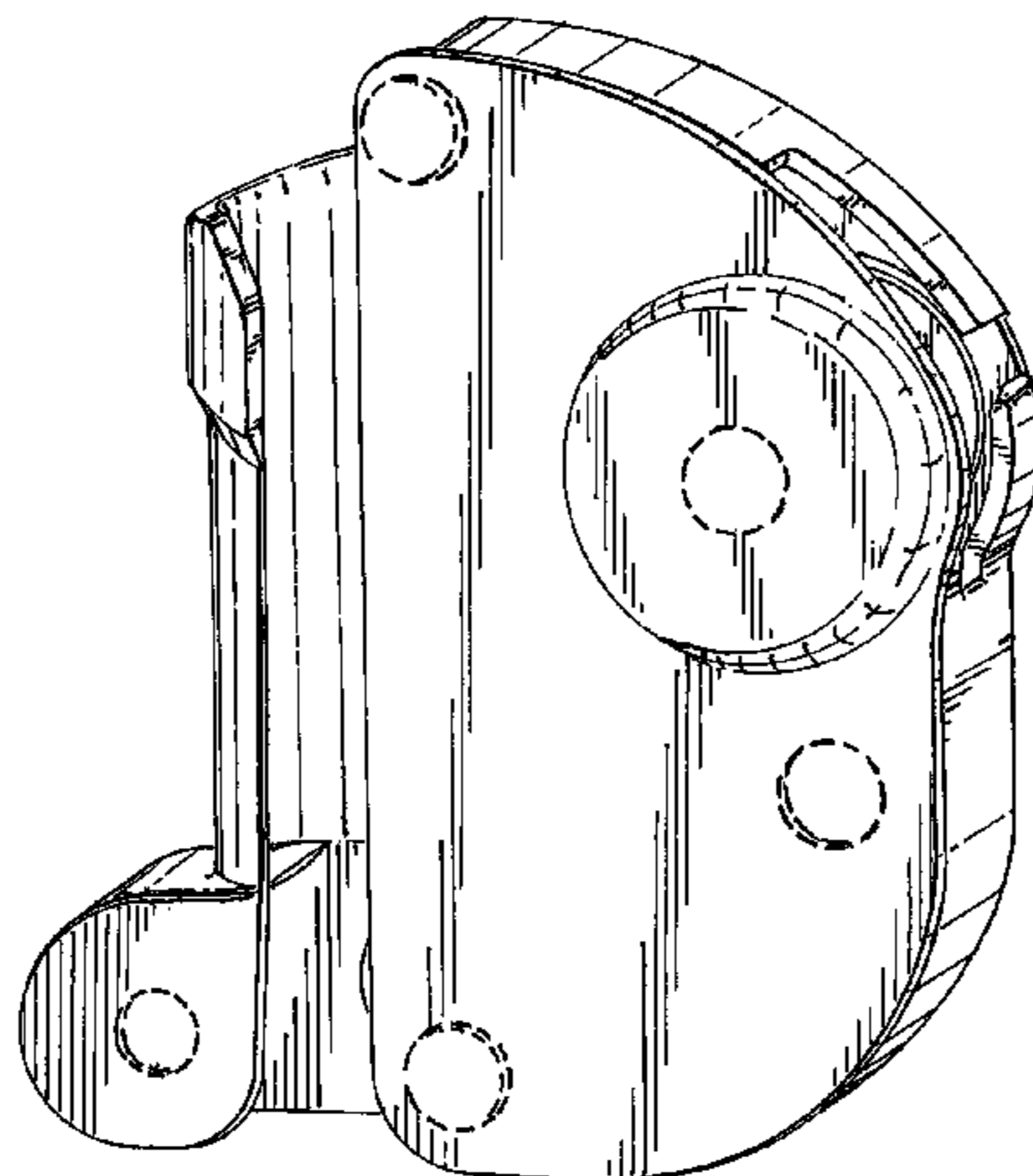
U.S. PATENT DOCUMENTS

2,606,350	A	8/1952	French	
3,177,543	A	4/1965	Fountain	
3,876,036	A	4/1975	Sweet	
4,071,926	A	2/1978	Sweet et al.	
4,077,094	A	3/1978	Swager	
4,521,000	A	6/1985	Dodge, Jr.	
4,542,884	A	9/1985	Dodge, Jr.	
4,657,110	A	4/1987	Wolner	
4,791,243	A	12/1988	Ibanez et al.	
5,224,427	A	7/1993	Riches et al.	
D360,530	S *	7/1995	Bobeczko	D3/315
5,860,493	A	1/1999	Cherpitel	
D413,786	S *	9/1999	Graham	D8/356
D425,783	S *	5/2000	Ishida et al.	D8/383
D433,929	S *	11/2000	Petzl	D8/383

FIG. 1 is a first side perspective view of a housing assembly of a rope grab according to the present invention. FIG. 2 is a second side perspective view of the housing assembly of a rope grab shown in FIG. 1; FIG. 3 is a front view of the housing assembly of a rope grab shown in FIG. 1; FIG. 4 is a rear view of the housing assembly of a rope grab shown in FIG. 1; FIG. 5 is a top view of the housing assembly of a rope grab shown in FIG. 1; and, FIG. 6 is a bottom view of the housing assembly of a rope grab shown in FIG. 1.

The broken lines showing portions of the housing assembly of a rope grab are for the purpose of illustrating portions that form no part of the claimed design.

1 Claim, 4 Drawing Sheets



(56)

References Cited

FOREIGN PATENT DOCUMENTS

U.S. PATENT DOCUMENTS

6,843,346 B2 * 1/2005 LeBeau et al. 182/5
 6,918,464 B2 7/2005 Renton et al.
 7,188,704 B2 3/2007 Renton et al.
 D572,099 S * 7/2008 Fontaine et al. D8/44
 D586,001 S * 2/2009 Petzl D25/69
 7,500,290 B2 * 3/2009 Klingler 24/115 R
 D597,822 S * 8/2009 Olsen D8/356
 D600,100 S * 9/2009 Moncade D8/367
 7,708,116 B2 5/2010 Martin et al.
 D650,260 S * 12/2011 Petzl D8/356
 8,141,212 B2 * 3/2012 Fontaine et al. 24/130
 D687,700 S * 8/2013 Petzl D8/360
 2002/0175025 A1 11/2002 Kurtgis
 2006/0096067 A1 * 5/2006 Fontaine et al. 24/130
 2007/0119653 A1 5/2007 Brown et al.
 2009/0133977 A1 5/2009 Warren
 2009/0194366 A1 8/2009 Parker et al.
 2010/0012424 A1 1/2010 Krauss

DE 28 10 928 9/1979
 DE 86 06 240 U1 6/1986
 DE 35 31 391 A1 3/1987
 DE 202 17 045 U1 5/2003
 DE 20 2005 011 338 U1 12/2006
 EP 0 168 021 1/1986
 EP 2 407 211 1/2012
 FR 2 539 477 7/1984
 FR 2 555 060 5/1985
 FR 2 857 601 1/2005
 GB 1 536 354 12/1978
 GB 2 396 195 B 6/2004
 WO WO 96/23951 8/1996
 WO WO 00/60209 10/2000
 WO WO 2005/058422 A1 6/2005
 WO WO 2009/037173 A1 3/2009
 WO WO 2009/100315 A2 8/2009

* cited by examiner

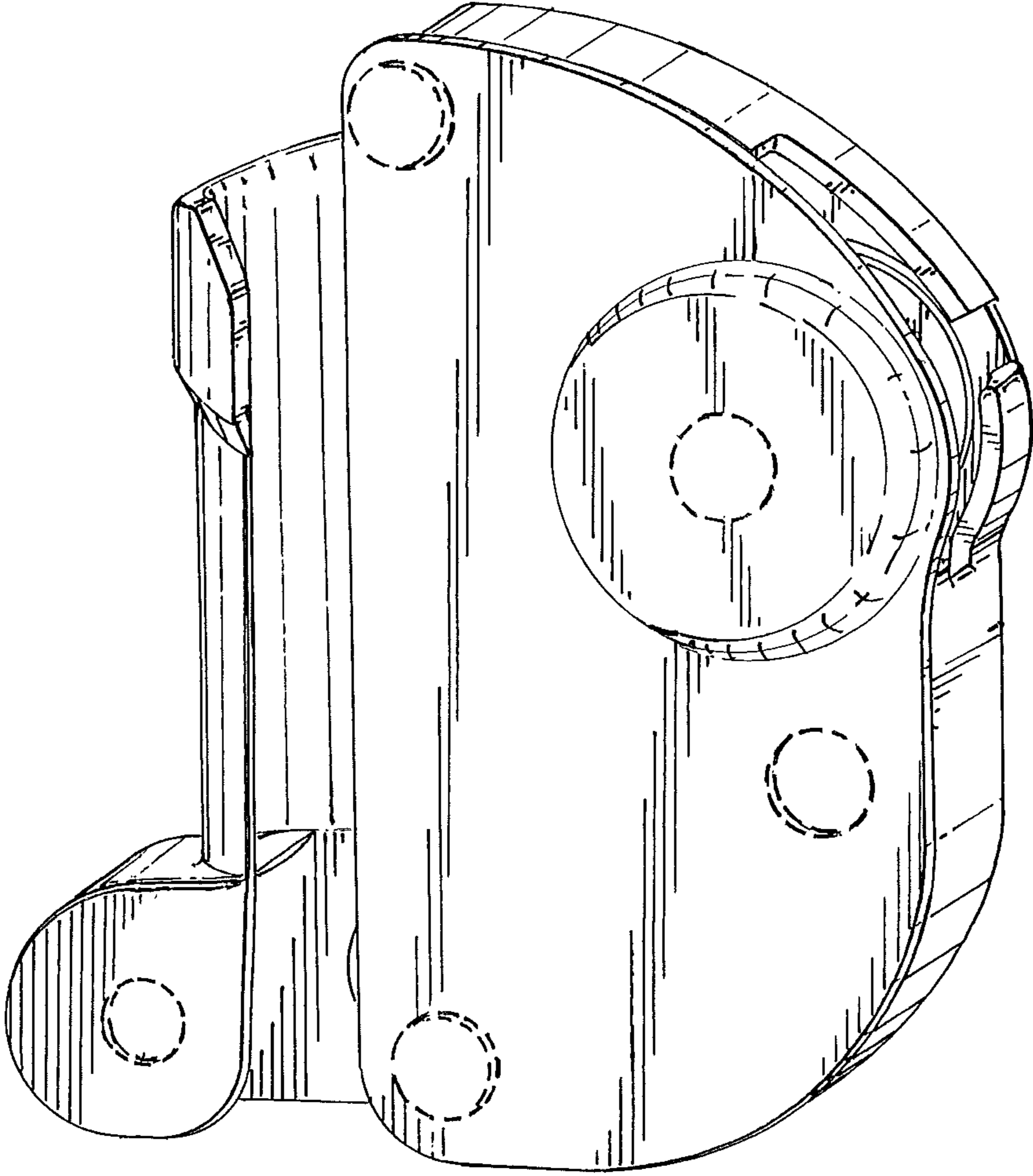


FIG. 1

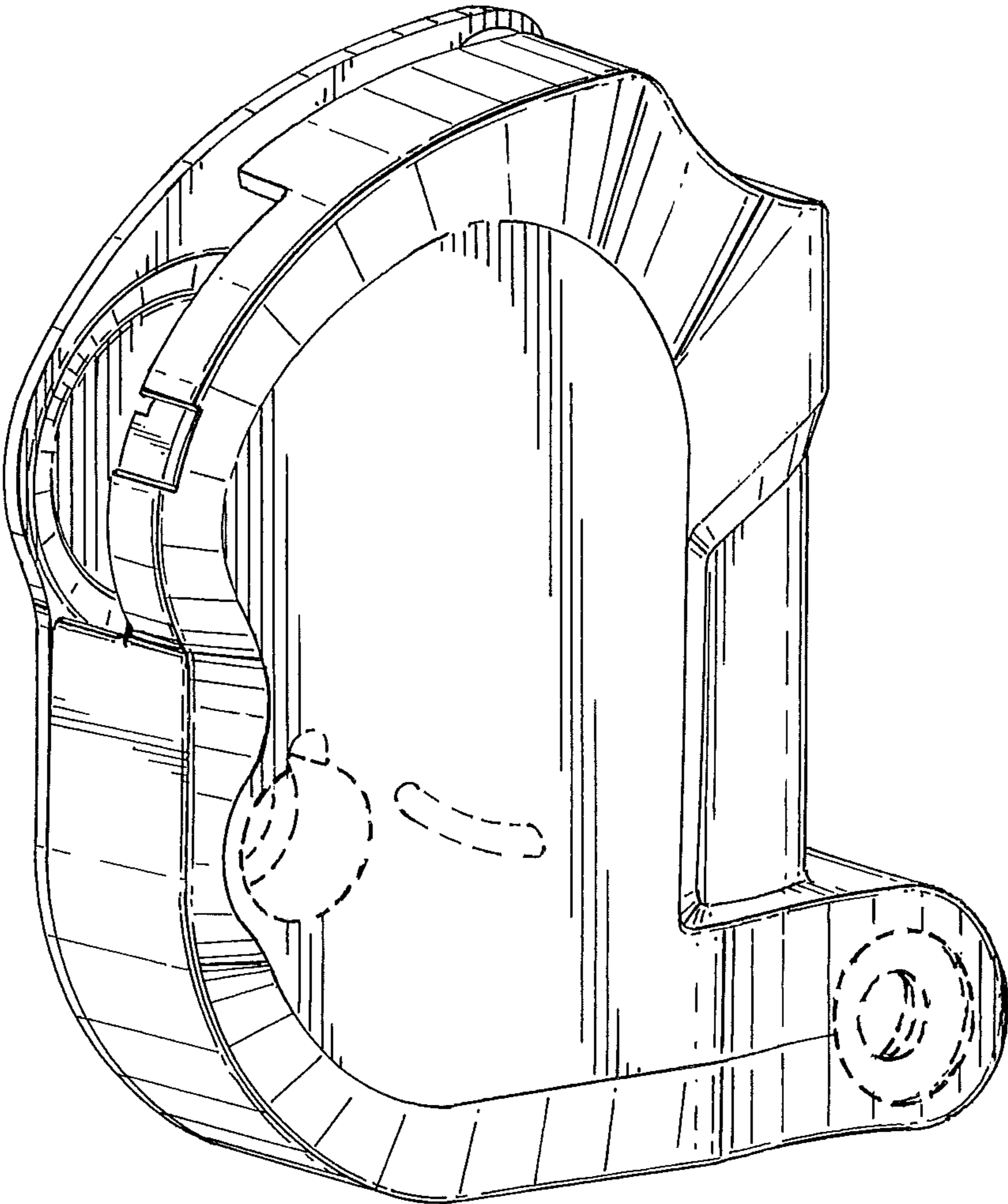


FIG. 2

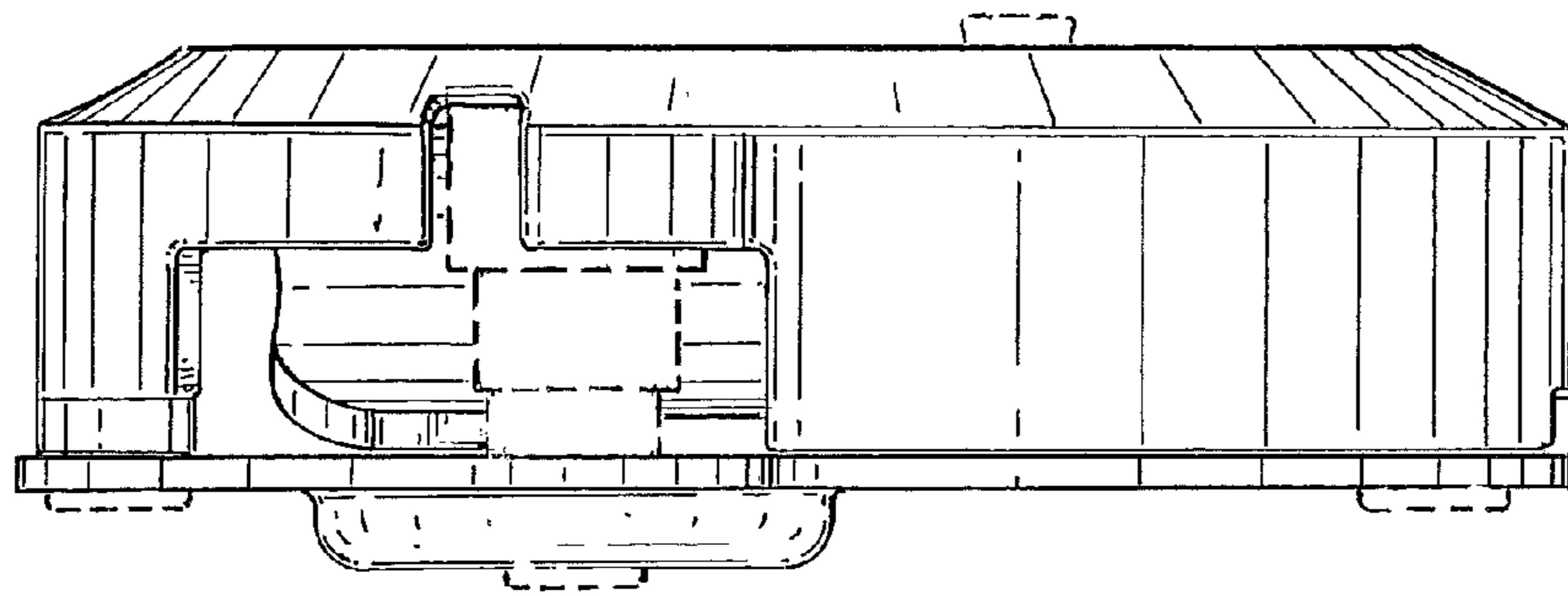


FIG. 4

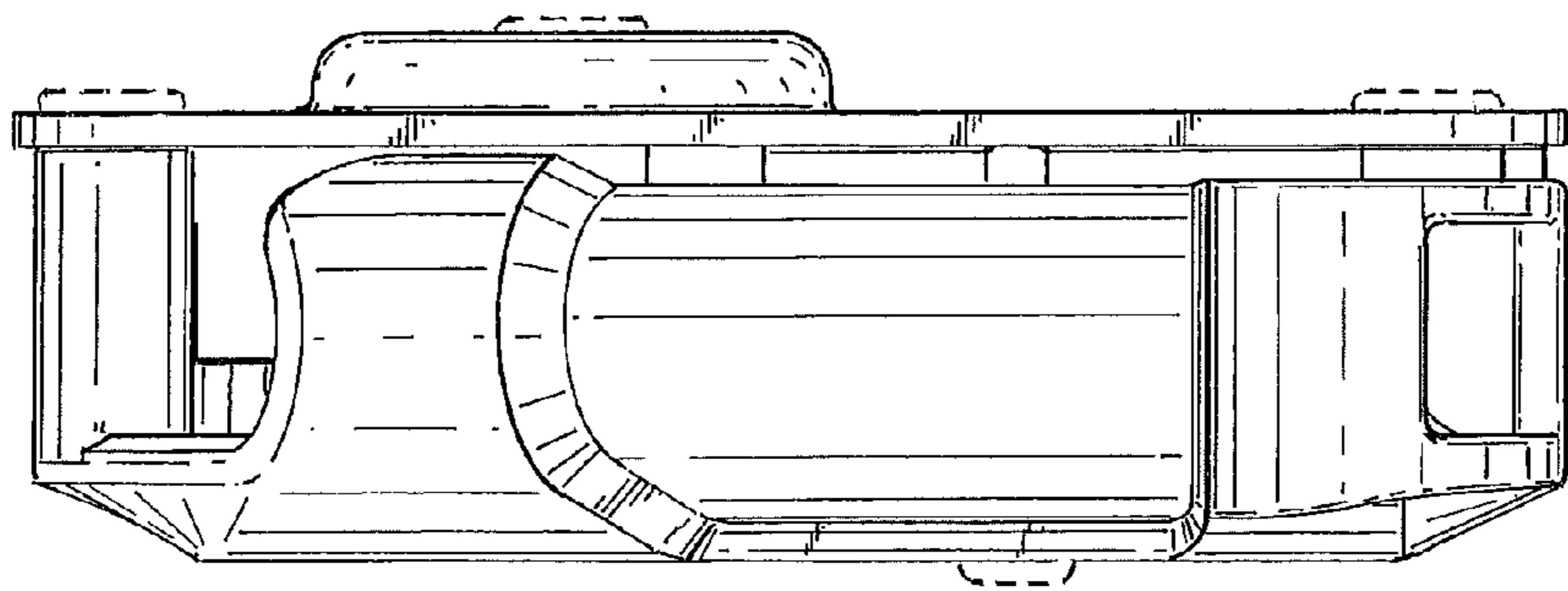


FIG. 3

FIG.5

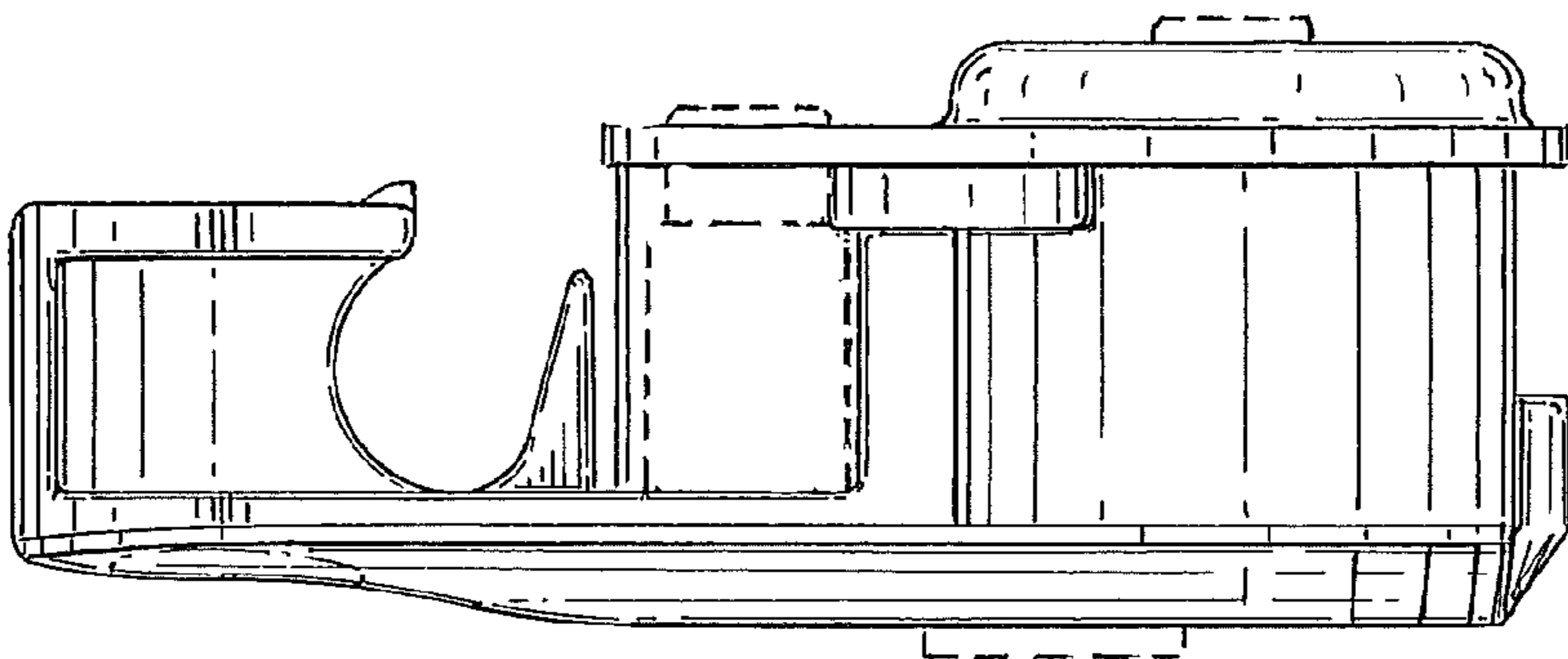
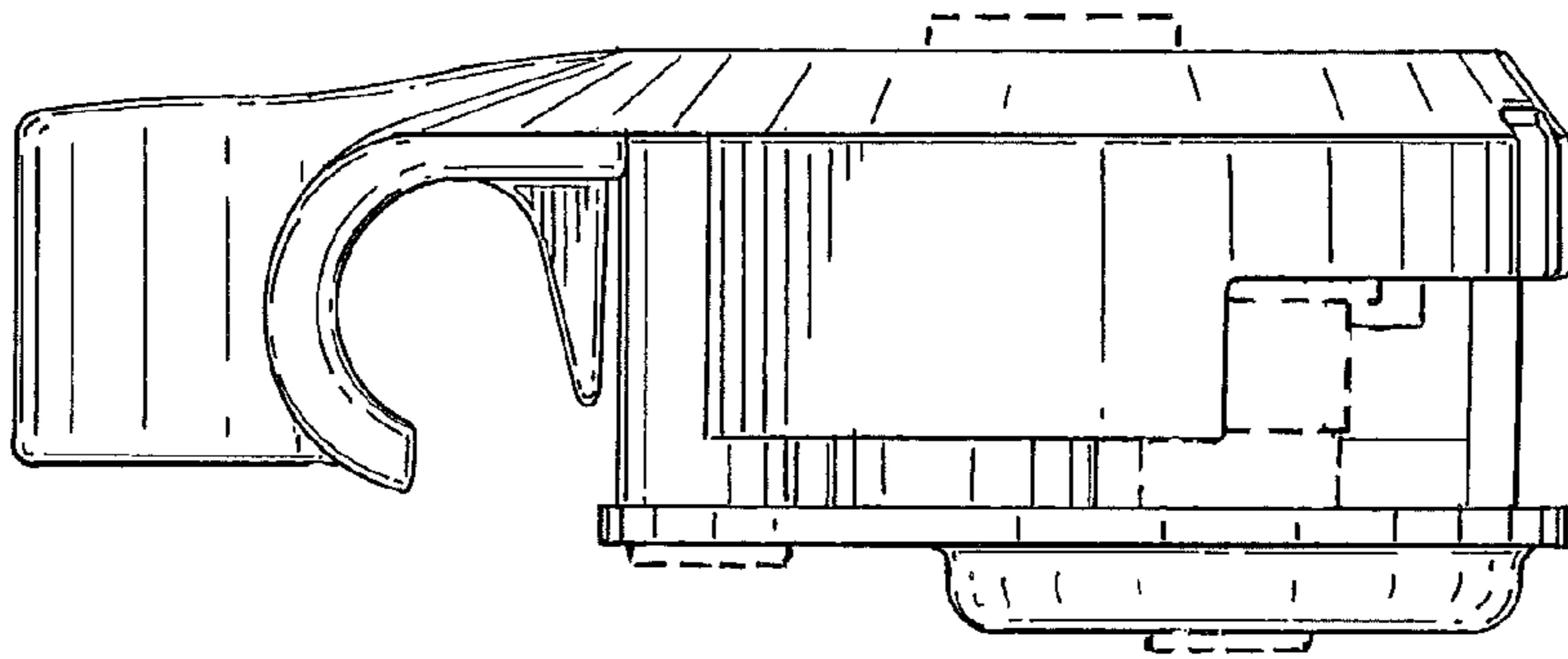


FIG.6