



US00D722486S

(12) **United States Design Patent**
Wang

(10) **Patent No.:** **US D722,486 S**

(45) **Date of Patent:** **** Feb. 17, 2015**

(54) **TUBE CONNECTOR**

(76) Inventor: **Jianping Wang**, Changzhou (CN)

(**) Term: **14 Years**

(21) Appl. No.: **29/407,391**

(22) Filed: **Nov. 29, 2011**

(51) **LOC (10) Cl.** **08-05**

(52) **U.S. Cl.**
USPC **D8/355**

(58) **Field of Classification Search**
USPC D23/259, 262, 263, 264, 265; 137/556,
137/556.3, 556.6; D8/349, 352, 354-356,
D8/374, 400; 248/188, 188.1; D6/553,
D6/681-682, 702, 709, 712
See application file for complete search history.

(56) **References Cited**

U.S. PATENT DOCUMENTS

| | | | |
|----------------|---------|---------------|---------|
| D44,996 S * | 12/1913 | Buser | D8/374 |
| 1,778,135 A * | 10/1930 | Williams | 248/188 |
| 2,526,046 A * | 10/1950 | Ries | 248/188 |
| 2,822,228 A * | 2/1958 | Comer | 248/188 |
| D188,377 S * | 7/1960 | Martin | D13/152 |
| D221,616 S * | 8/1971 | Hollander | D6/495 |
| D237,573 S * | 11/1975 | Hung | D8/355 |
| 4,059,872 A * | 11/1977 | Delesandri | 24/284 |
| 4,072,432 A * | 2/1978 | Levy | 403/170 |
| D258,307 S * | 2/1981 | Adam et al. | D23/386 |
| 4,511,164 A * | 4/1985 | Orchard | 285/252 |
| D285,044 S * | 8/1986 | Mockett | D8/354 |
| 4,647,241 A * | 3/1987 | Weber | 403/18 |
| D338,360 S * | 8/1993 | Petersen | D6/491 |
| D373,034 S * | 8/1996 | Menaged | D6/466 |
| D375,148 S * | 10/1996 | Keller | D23/249 |
| D402,354 S * | 12/1998 | Strong et al. | D23/259 |
| D407,627 S * | 4/1999 | Fischer | D8/349 |
| D421,708 S * | 3/2000 | Kuhnke | D8/349 |
| D435,090 S * | 12/2000 | Stout, Jr. | D23/269 |
| 6,352,235 B2 * | 3/2002 | Cizek | 248/692 |
| D455,950 S * | 4/2002 | Unwin et al. | D8/382 |

| | | | |
|--------------|---------|-----------------|---------|
| D469,278 S * | 1/2003 | Lippert | D6/466 |
| D486,061 S * | 2/2004 | Mullins et al. | D8/400 |
| D498,412 S * | 11/2004 | Pehta et al. | D8/374 |
| D519,305 S * | 4/2006 | Pesso | D6/499 |
| D523,260 S * | 6/2006 | Sciandra | D6/462 |
| D548,048 S * | 8/2007 | Sherrard | D8/349 |
| D553,883 S * | 10/2007 | DeJule | D6/495 |
| D557,129 S * | 12/2007 | Jones et al. | D8/382 |
| D613,828 S * | 4/2010 | Kinchen | D23/260 |
| D616,972 S * | 6/2010 | Wang | D23/332 |
| D617,460 S * | 6/2010 | Okuda et al. | D24/155 |
| D617,627 S * | 6/2010 | Tawil | D8/349 |
| D625,170 S * | 10/2010 | McGrath | D8/355 |
| D634,168 S * | 3/2011 | Ghatikar et al. | D8/10 |
| D636,658 S * | 4/2011 | McGrath | D8/355 |
| D640,706 S * | 6/2011 | Derry et al. | D14/447 |
| D641,993 S * | 7/2011 | Scott | D6/449 |
| D657,848 S * | 4/2012 | Howson | D23/261 |
| D667,290 S * | 9/2012 | Chelton | D8/355 |
| D679,169 S * | 4/2013 | Else | D8/349 |
| D679,170 S * | 4/2013 | Else | D8/349 |
| D682,994 S * | 5/2013 | Schulz | D23/259 |
| D695,591 S * | 12/2013 | Ackerman et al. | D8/349 |

* cited by examiner

Primary Examiner — Eric Goodman

Assistant Examiner — John Reickel

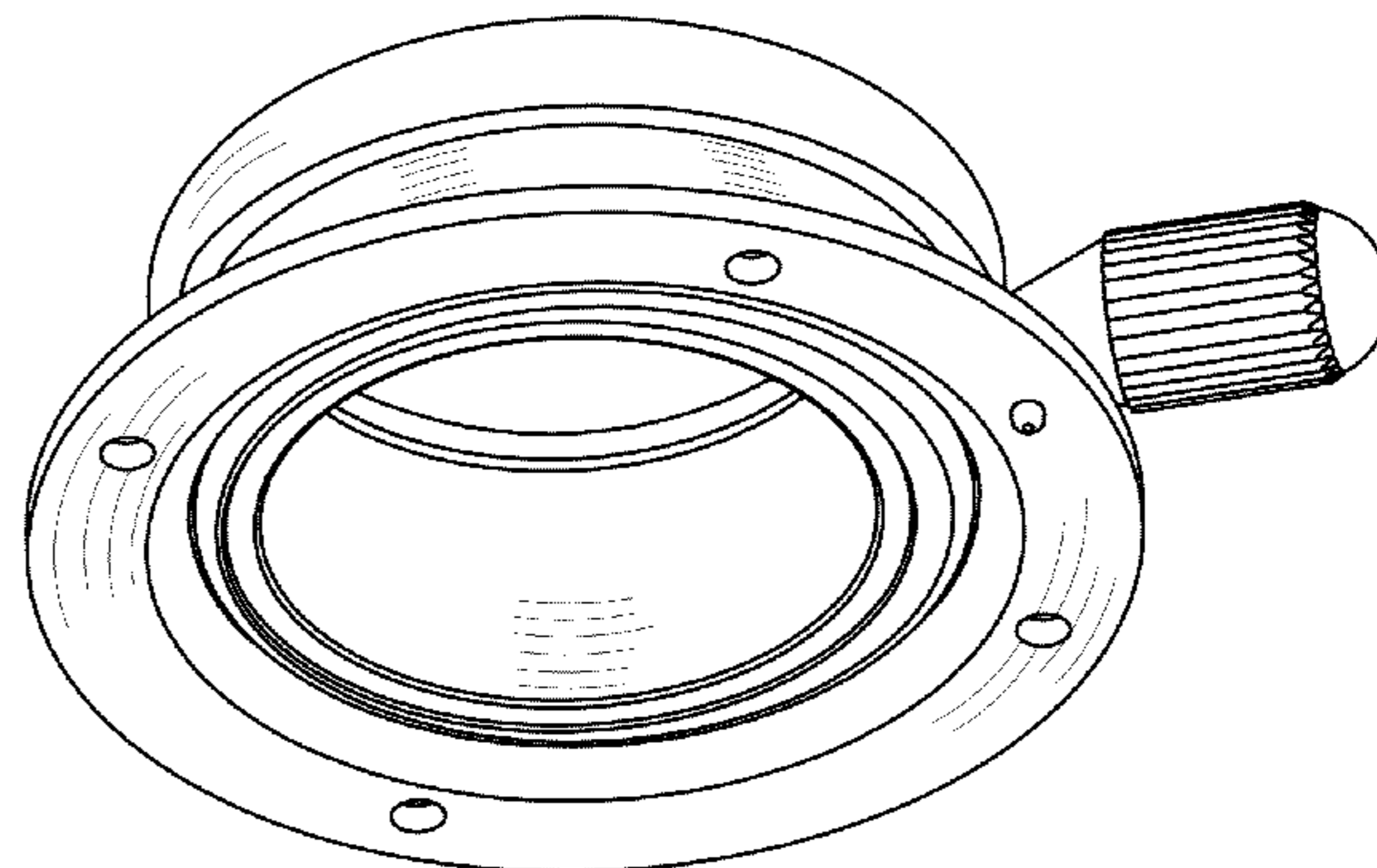
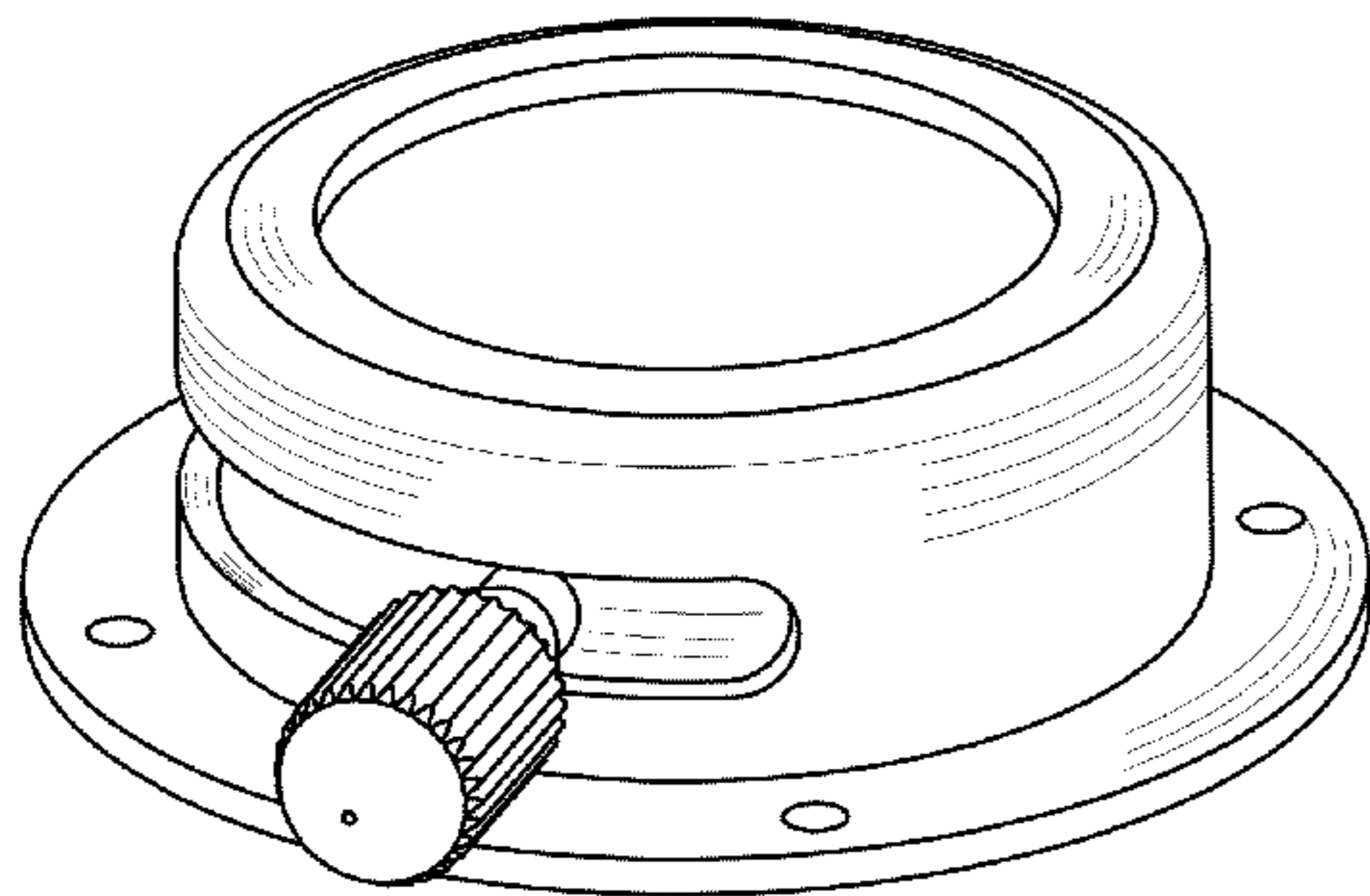
(57) **CLAIM**

The ornamental design for the connecting tube, as shown and described.

DESCRIPTION

FIG. 1 is a front view of a connecting tube showing my new design;
FIG. 2 is a top view thereof;
FIG. 3 is a bottom view thereof;
FIG. 4 is a left side view thereof;
FIG. 5 is a right side view thereof;
FIG. 6 is a rear view thereof;
FIG. 7 is a perspective view thereof; and,
FIG. 8 is another perspective view thereof.

1 Claim, 3 Drawing Sheets



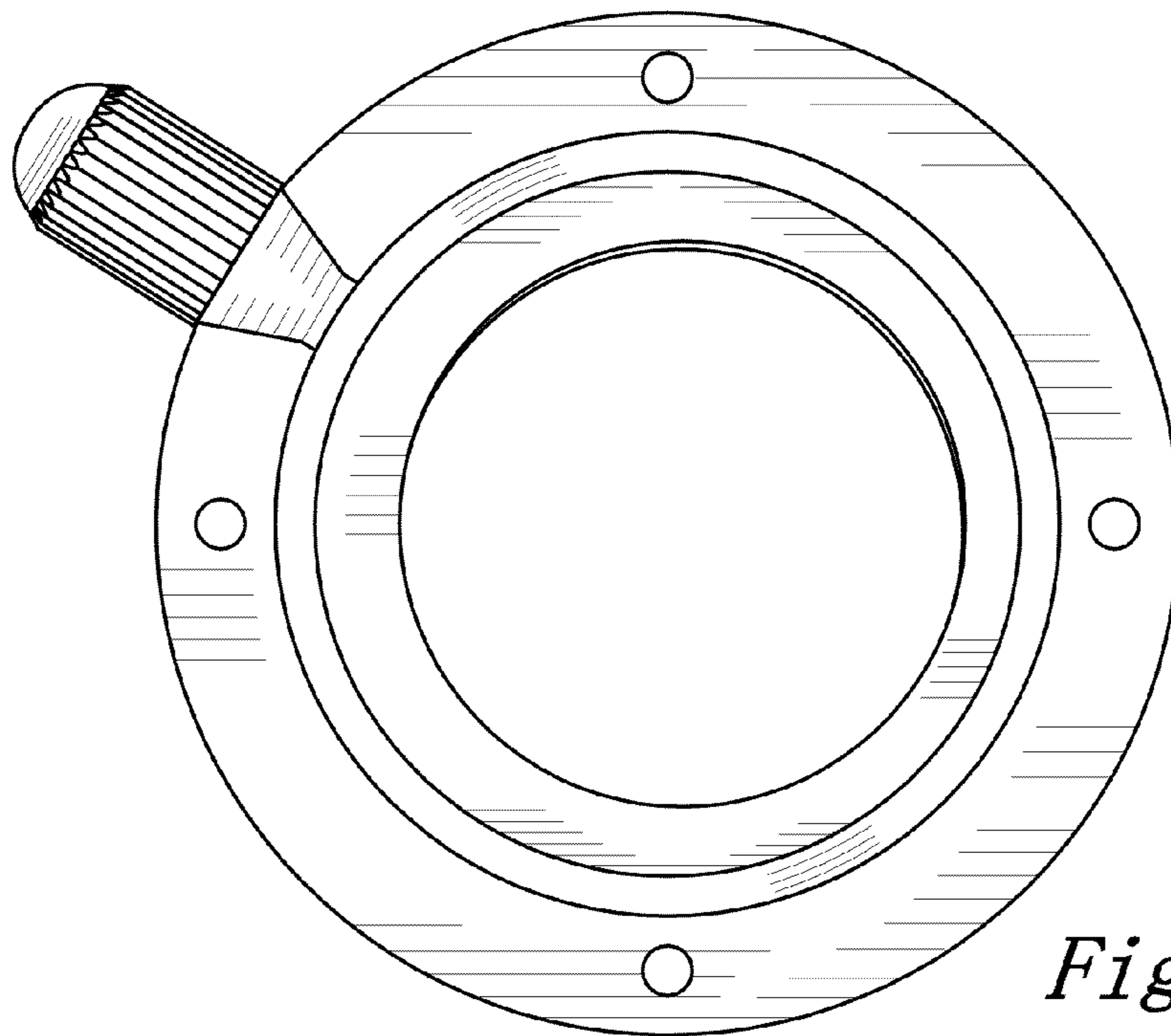


Fig. 1

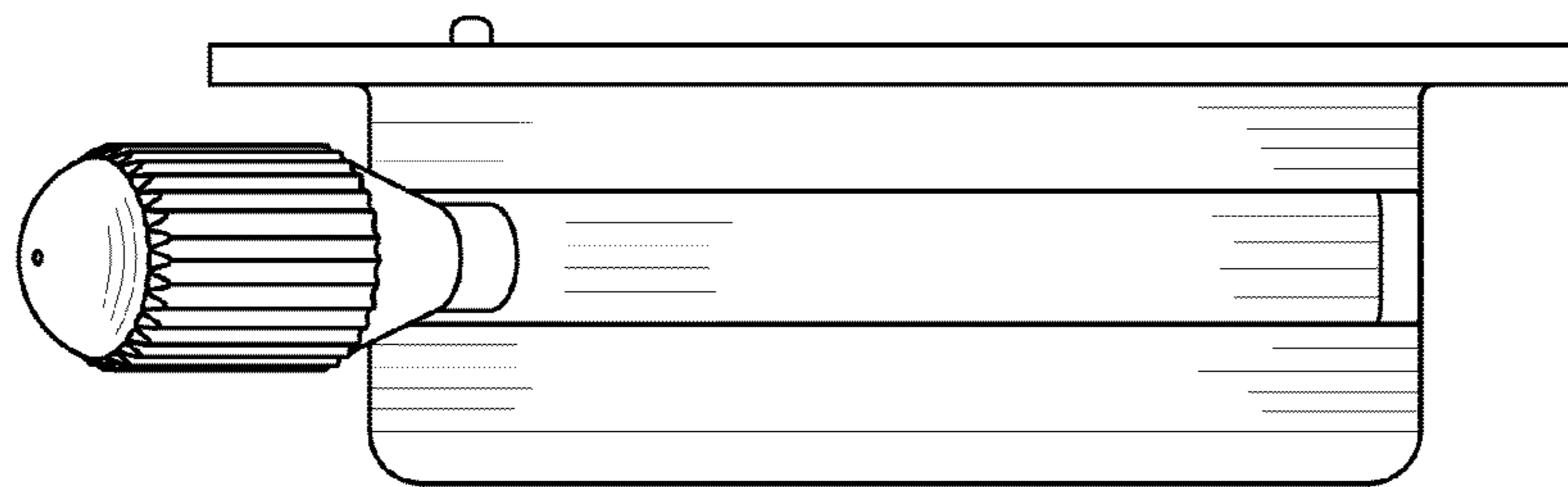


Fig. 2

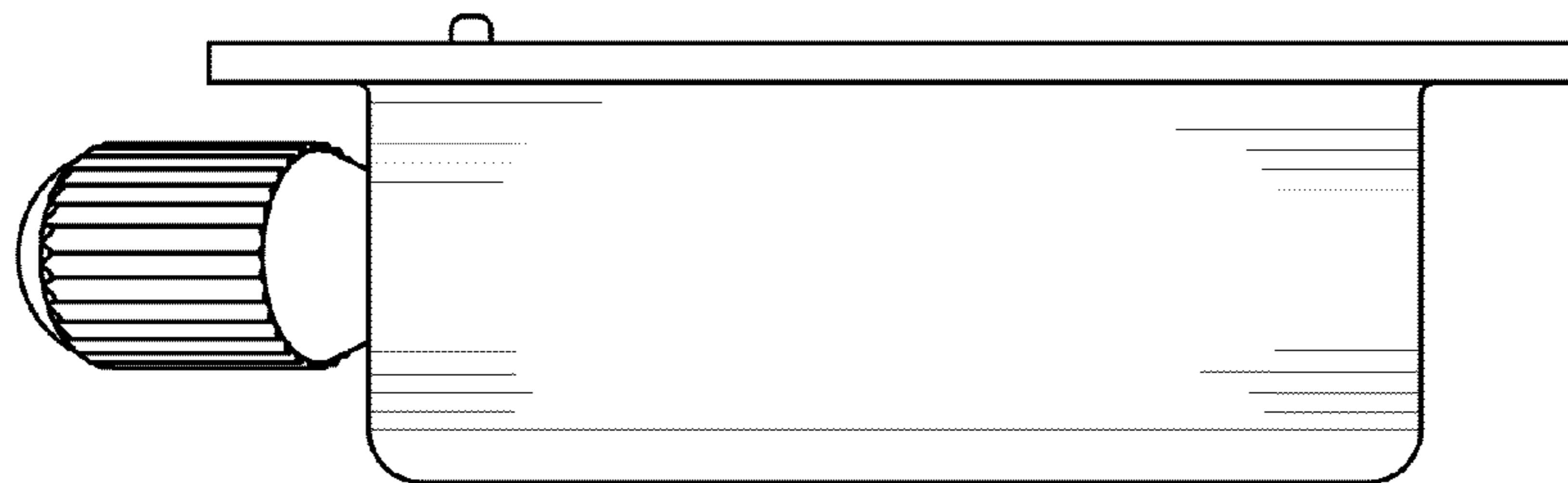


Fig. 3

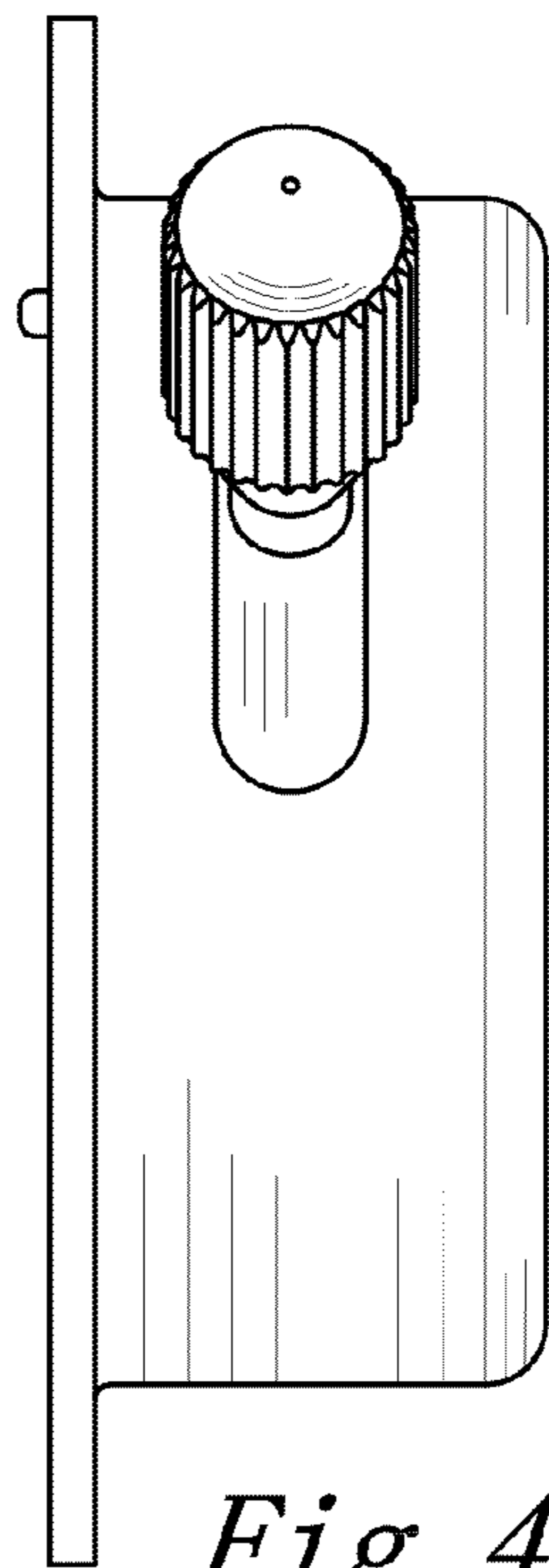


Fig. 4

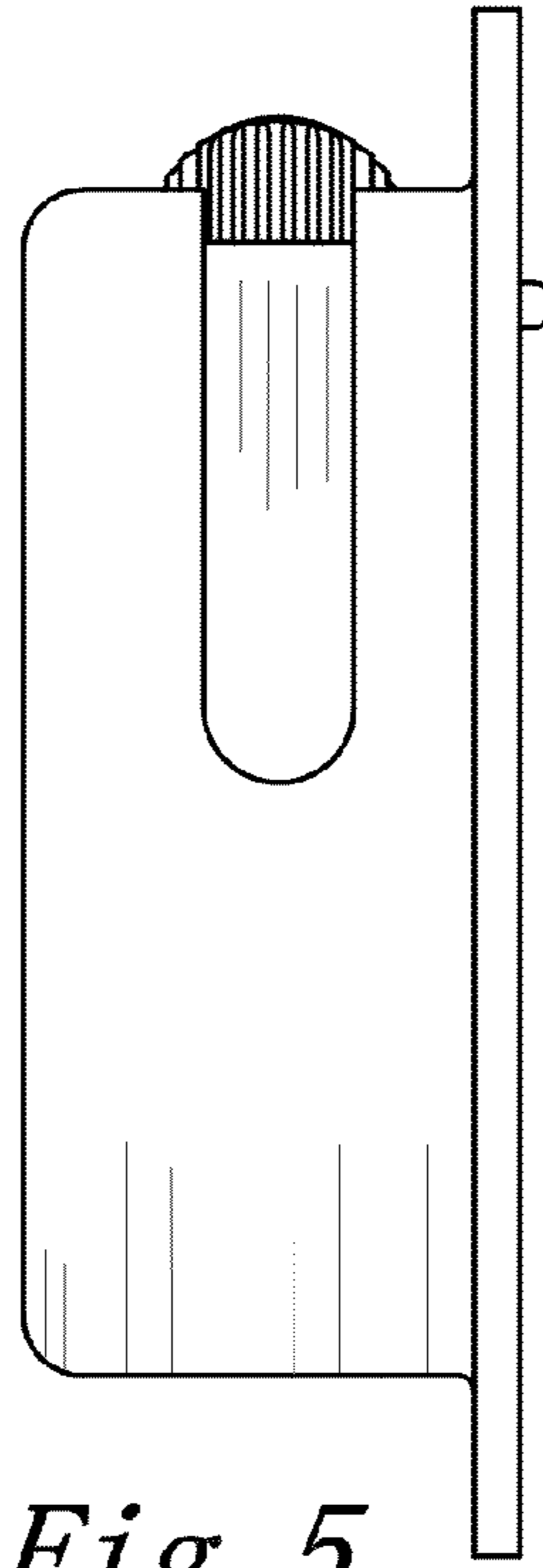


Fig. 5

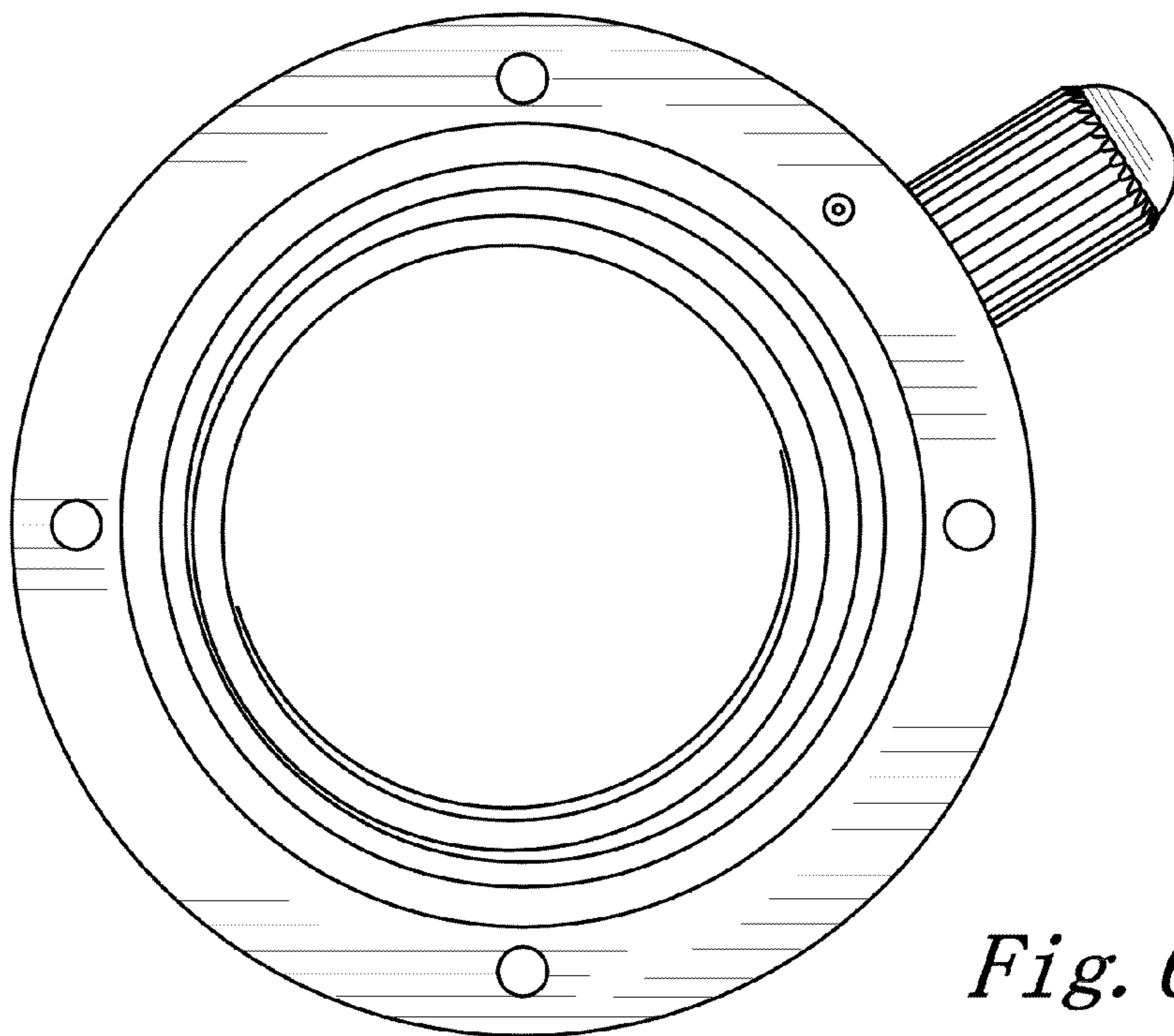


Fig. 6

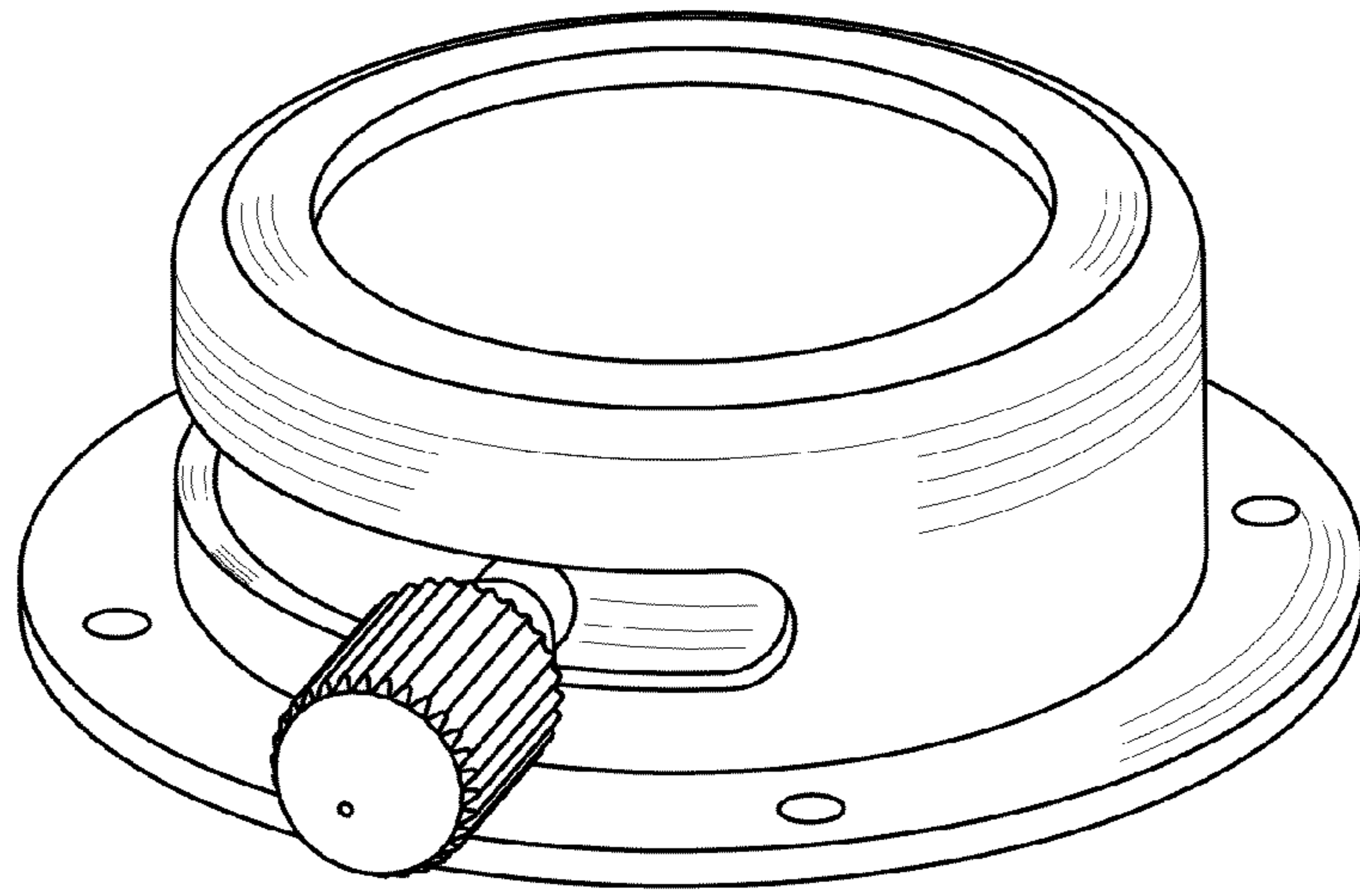


Fig. 7

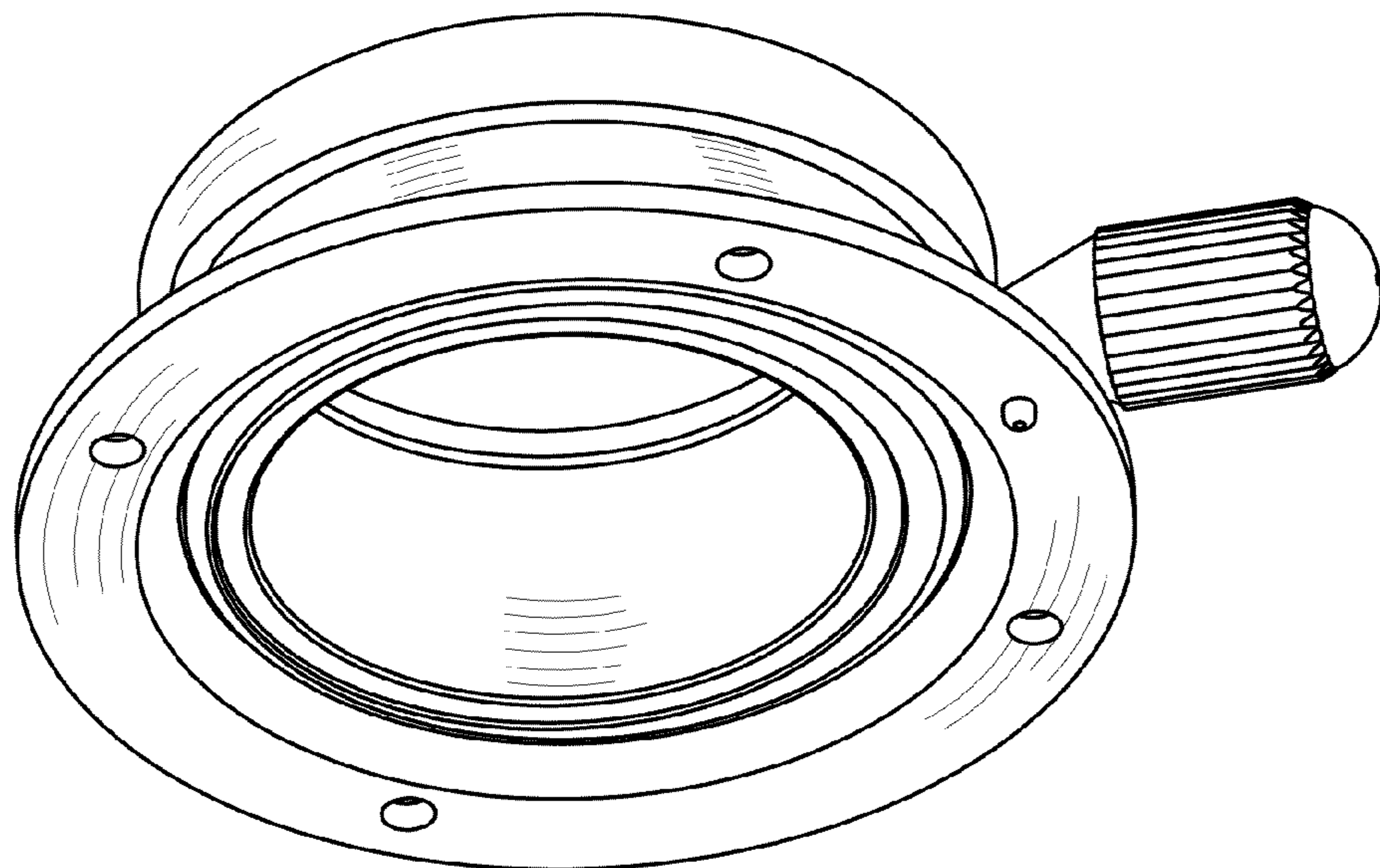


Fig. 8