



US00D722484S

(12) **United States Design Patent**
Lowrey

(10) **Patent No.:** **US D722,484 S**
(45) **Date of Patent:** **** Feb. 17, 2015**

(54) **TWO PART HINGE HOUSING**

DESCRIPTION

(75) Inventor: **Ian Lowrey**, Surry Hills (AU)

(73) Assignee: **Lift Link Housing Pty Ltd** (AU)

(**) Term: **14 Years**

(21) Appl. No.: **29/430,381**

(22) Filed: **Aug. 24, 2012**

(30) **Foreign Application Priority Data**

Feb. 24, 2012 (AU) 10862/2012
Feb. 24, 2012 (AU) 10863/2012
Feb. 24, 2012 (AU) 10864/2012

(51) **LOC (10) CL.** **08-06**

(52) **U.S. CL.**
USPC **D8/323**

(58) **Field of Classification Search**

CPC E05D 7/123; E05D 1/06; E05D 11/0027
USPC D8/323, 328, 324, 325, 327, 331, 336,
D8/338, 329, 402, 355, 356; D16/334;
D3/905, 294, 299, 304, 302, 312;
4/236, 240; 16/309, 235, 275, 244,
16/379, 390, 241, 238, 245, 236, 243, 242,
16/385, 225, 250; 49/381; D9/414, 423,
D9/425, 432

See application file for complete search history.

(56) **References Cited**

U.S. PATENT DOCUMENTS

D168,709 S * 1/1953 Reinecke et al. D3/294
D213,494 S * 3/1969 Spelcher et al. D6/500

(Continued)

Primary Examiner — Deanna L Pratt

Assistant Examiner — Lilyana Bekic

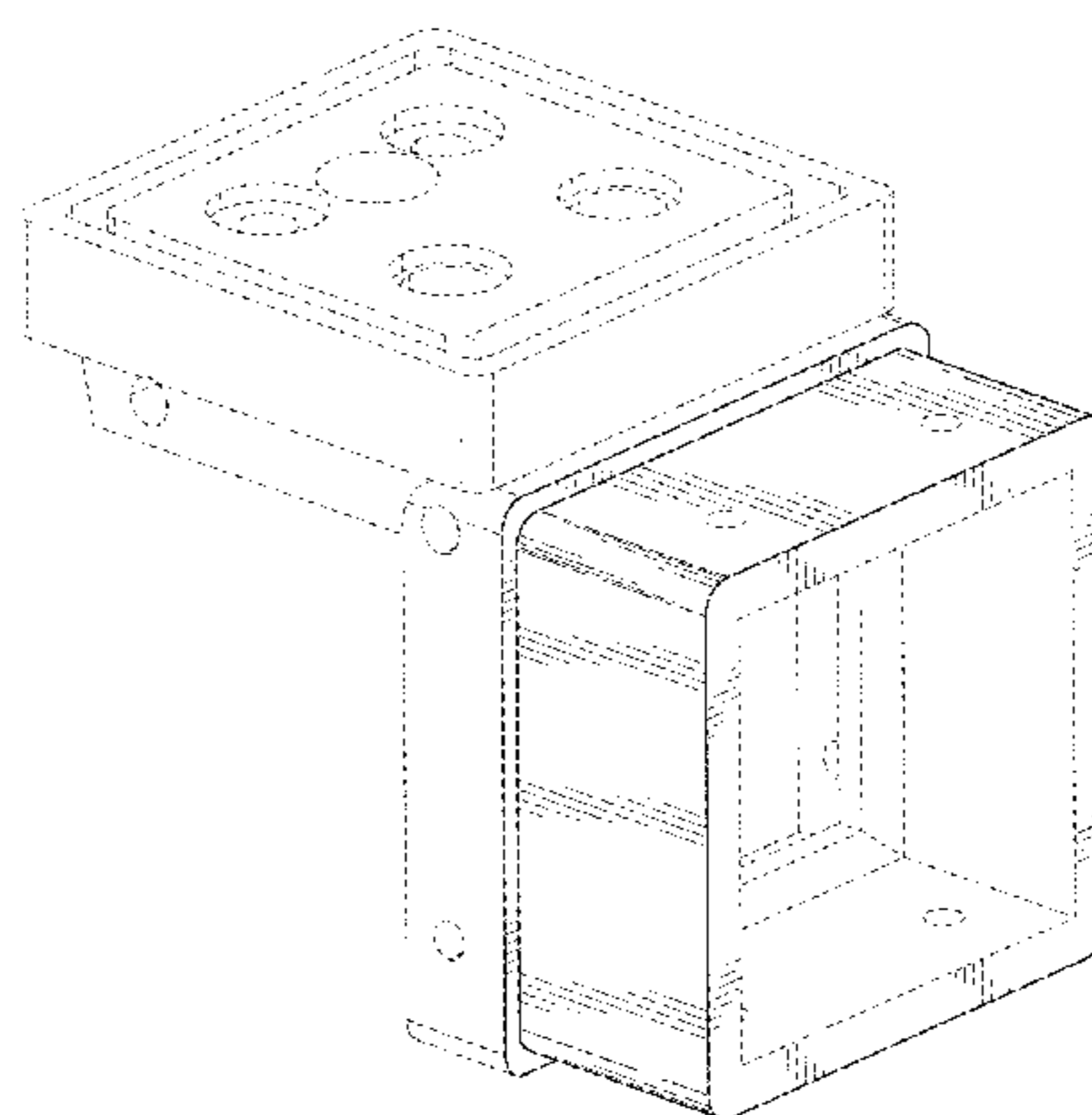
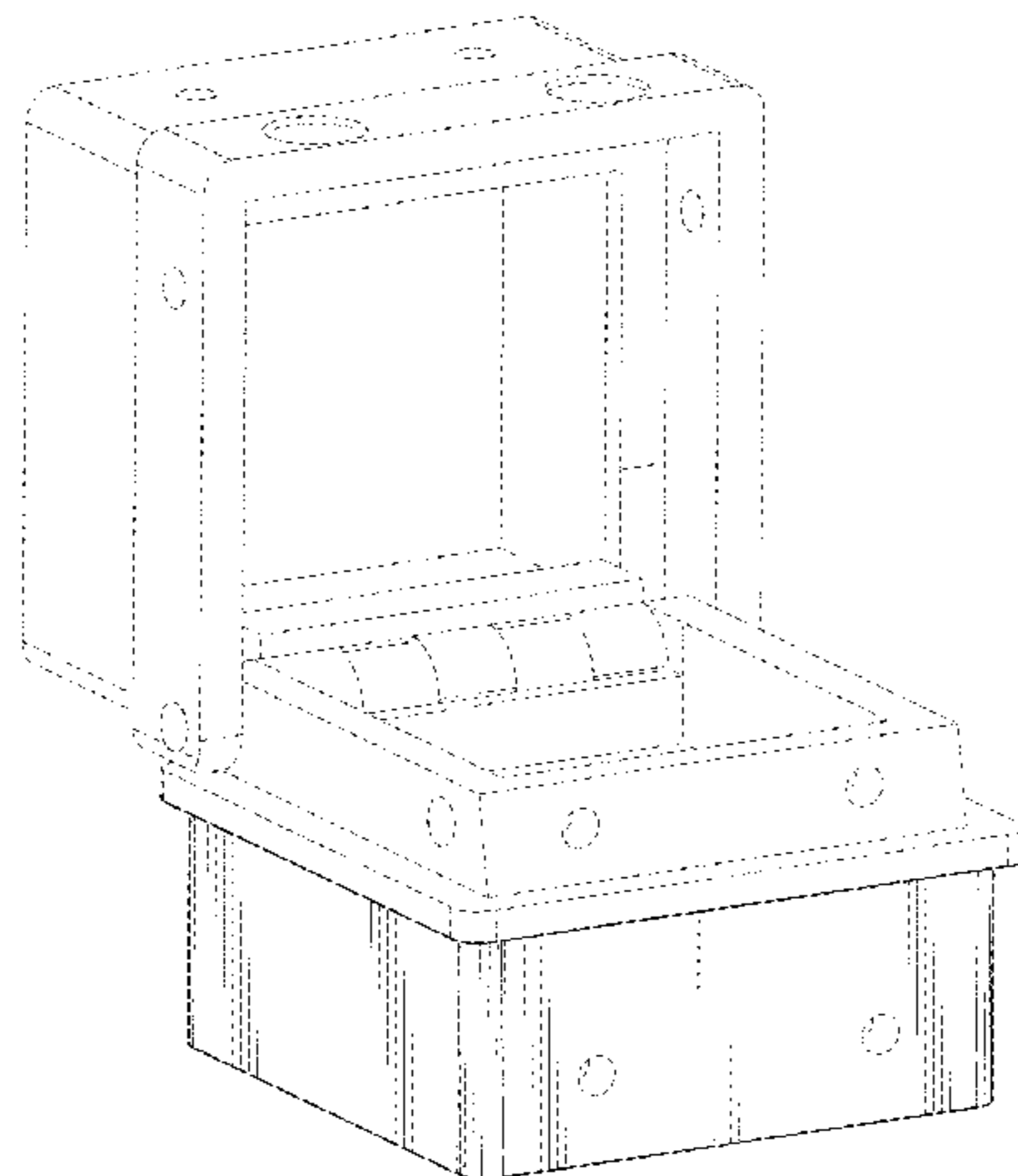
(74) *Attorney, Agent, or Firm* — Design IP

(57) **CLAIM**

The ornamental design for a two part hinge housing, as shown and described.

FIG. 1 is an isometric view of a first embodiment of an ornamental design for a two part hinge housing showing my new design with the hinge open;
FIG. 2 is a top view thereof;
FIG. 3 is a bottom view thereof;
FIG. 4 is a front view thereof;
FIG. 5 is a rear view thereof;
FIG. 6 is a right side view thereof;
FIG. 7 is a left side view thereof;
FIG. 8 is an isometric view of the two part hinge housing of FIGS. 1-7 with the hinge closed;
FIG. 9 is a top view thereof;
FIG. 10 is a bottom view thereof;
FIG. 11 is a front view thereof;
FIG. 12 is a rear view thereof;
FIG. 13 is a right side view thereof;
FIG. 14 is a left side view thereof;
FIG. 15 is an isometric view of a second embodiment of an ornamental design for a two part hinge housing showing my new design with the hinge open;
FIG. 16 is a top view thereof;
FIG. 17 is a bottom view thereof;
FIG. 18 is a front view thereof;
FIG. 19 is a rear view thereof;
FIG. 20 is a right side view thereof;
FIG. 21 is a left side view thereof;
FIG. 22 is an isometric view of the two part hinge housing of FIGS. 15-21 with the hinge closed;
FIG. 23 is a top view thereof;
FIG. 24 is a bottom view thereof;
FIG. 25 is a front view thereof;
FIG. 26 is a rear view thereof;
FIG. 27 is a right side view thereof; and,
FIG. 28 is a left side view thereof.
The dashed lines shown in FIGS. 1-28 illustrate portions of the two part hinge housing which form no part of the claimed design.

1 Claim, 16 Drawing Sheets



(56)

References Cited

U.S. PATENT DOCUMENTS

D284,254 S * 6/1986 Carlson D7/629
 D312,244 S * 11/1990 Collins et al. D13/152
 5,065,878 A * 11/1991 Altmann et al. 220/3.8
 5,076,455 A * 12/1991 Begley 220/3.8
 D328,030 S * 7/1992 Dumbrell D3/302
 D330,996 S * 11/1992 Smith et al. D7/629
 D336,017 S * 6/1993 Smith et al. D7/629
 D336,018 S * 6/1993 Smith et al. D7/629
 D376,690 S * 12/1996 Lockerby D3/284
 D417,843 S * 12/1999 Srinual D9/423
 D439,048 S * 3/2001 Sanderson D3/302
 D442,780 S * 5/2001 Hiernard D3/294
 D452,148 S * 12/2001 Friedberg D9/423

D466,807 S * 12/2002 Buck et al. D9/425
 D469,607 S * 2/2003 Wolff D3/294
 D547,175 S * 7/2007 Berg D9/423
 D571,197 S * 6/2008 Sanfilippo et al. D9/420
 D585,733 S * 2/2009 Feibelman D9/423
 D606,394 S * 12/2009 Stewart D9/423
 D606,857 S * 12/2009 Stewart D9/432
 D606,859 S * 12/2009 Stewart D9/432
 7,636,985 B2 * 12/2009 Greenbank 16/389
 D623,512 S * 9/2010 Stewart D9/423
 D655,154 S * 3/2012 Amos et al. D9/425
 D679,570 S * 4/2013 Farnsworth et al. D8/323
 D702,198 S * 4/2014 Gretz D13/184
 D709,334 S * 7/2014 Stamatopoulos D7/605
 2008/0289146 A1 * 11/2008 Chen 16/372

* cited by examiner

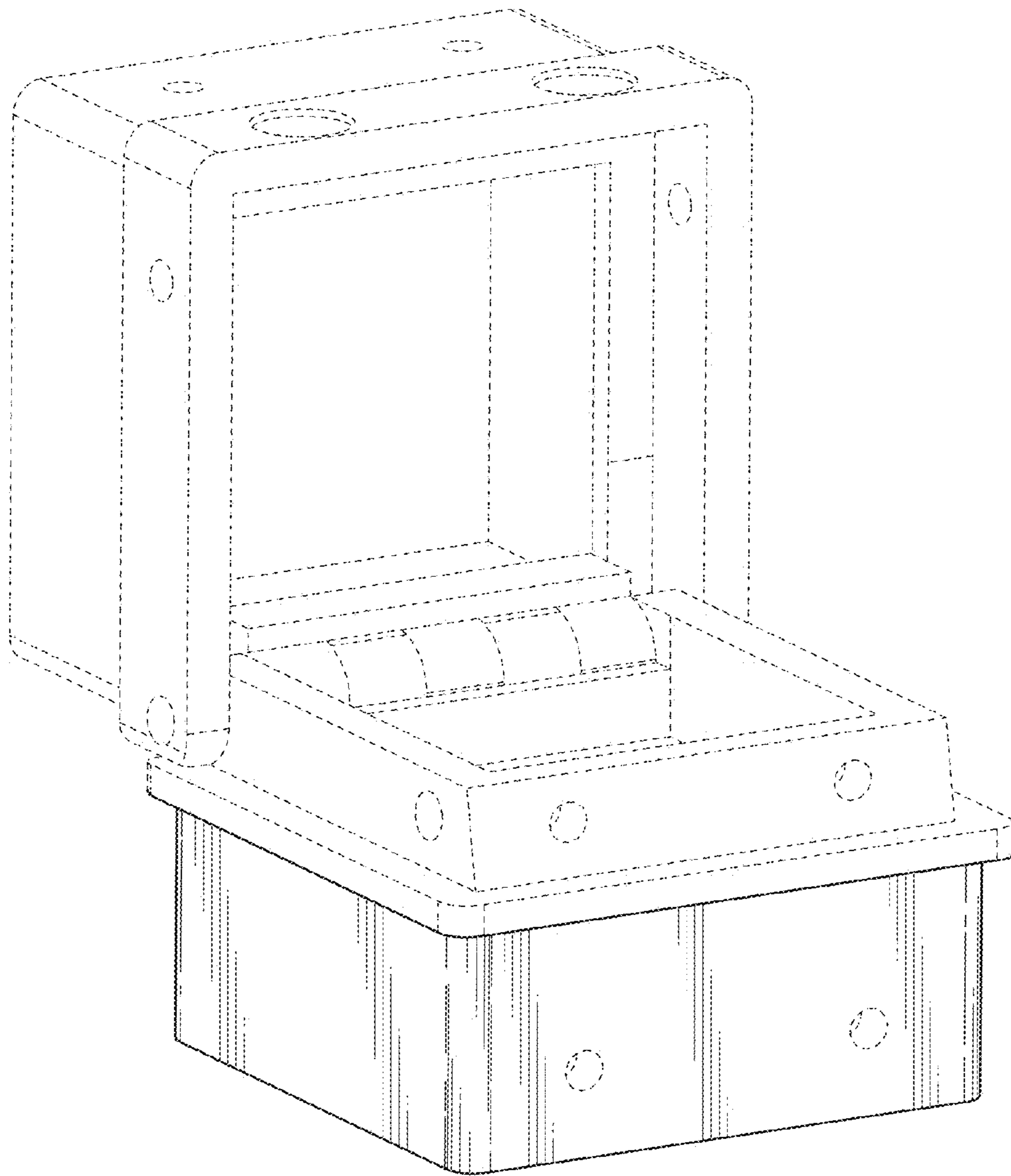


FIG. 1

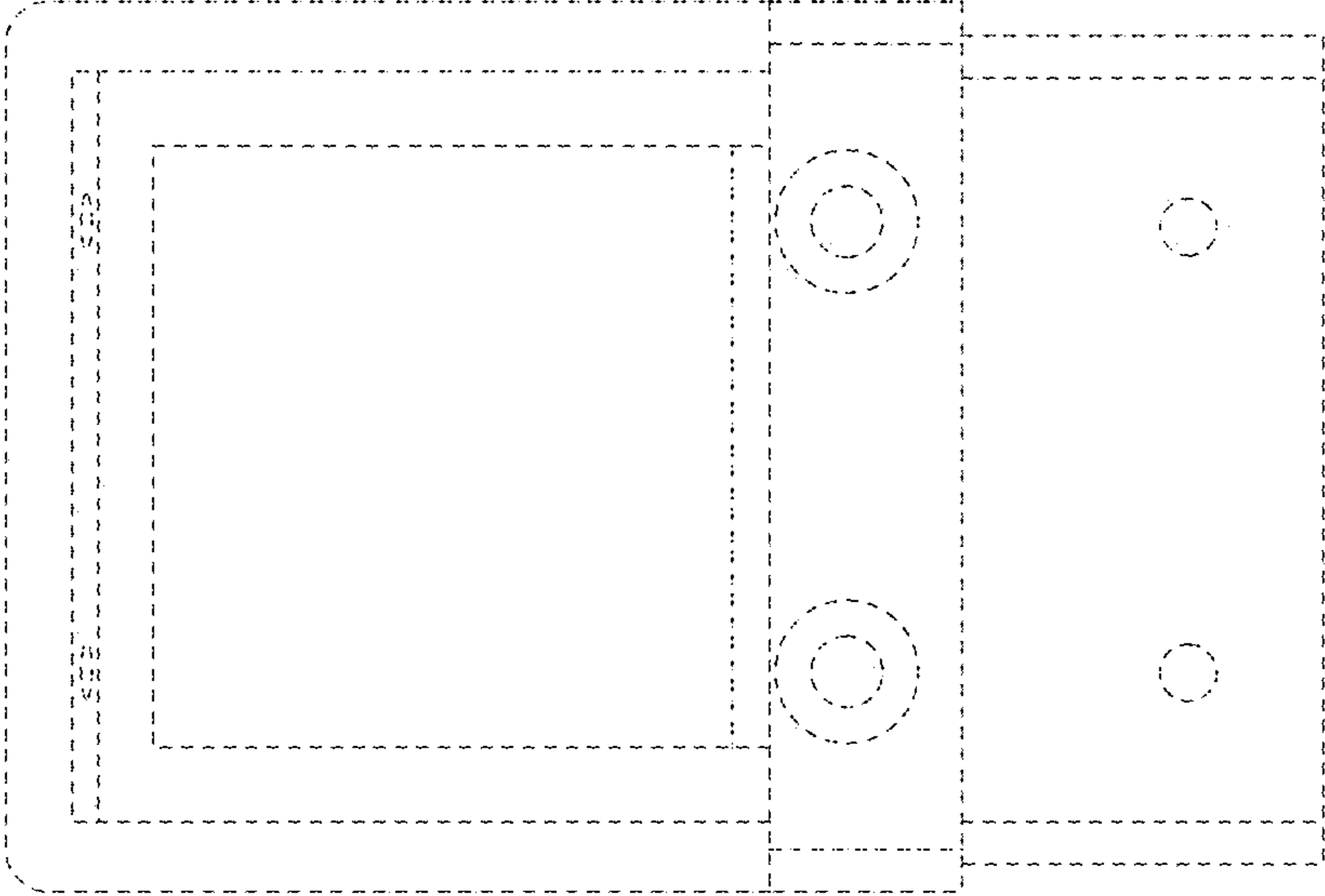


FIG. 2

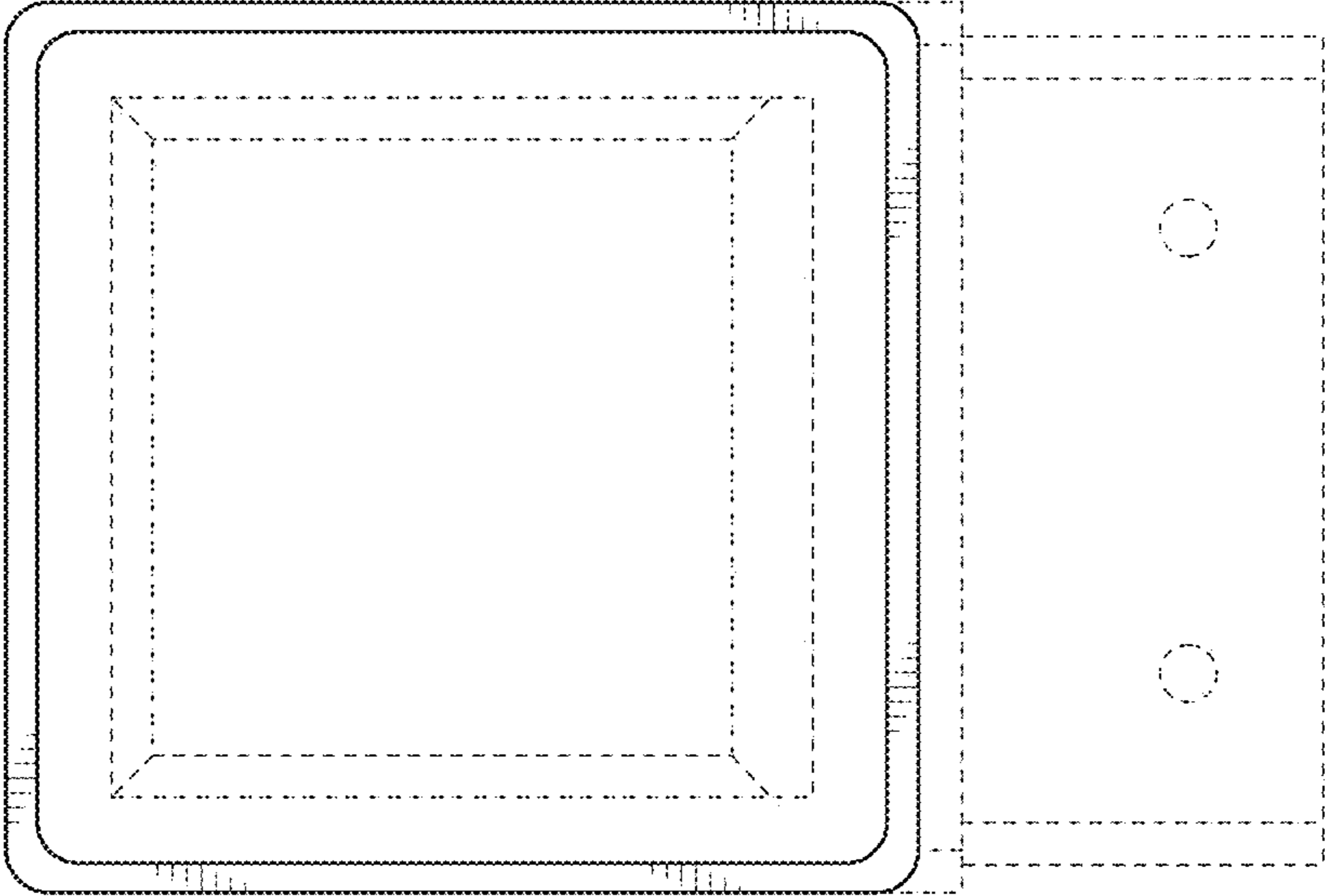


FIG. 3

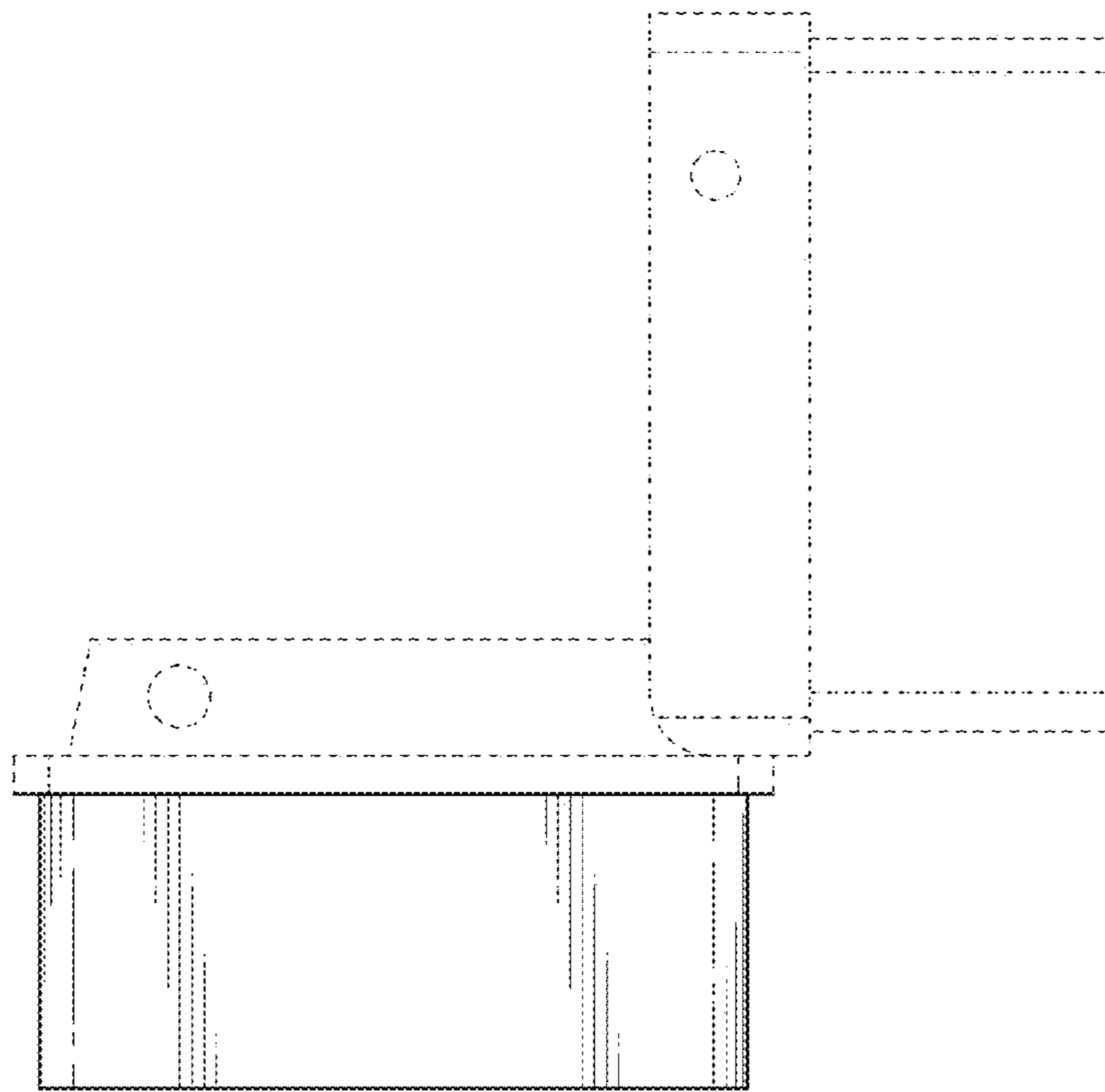


FIG. 4

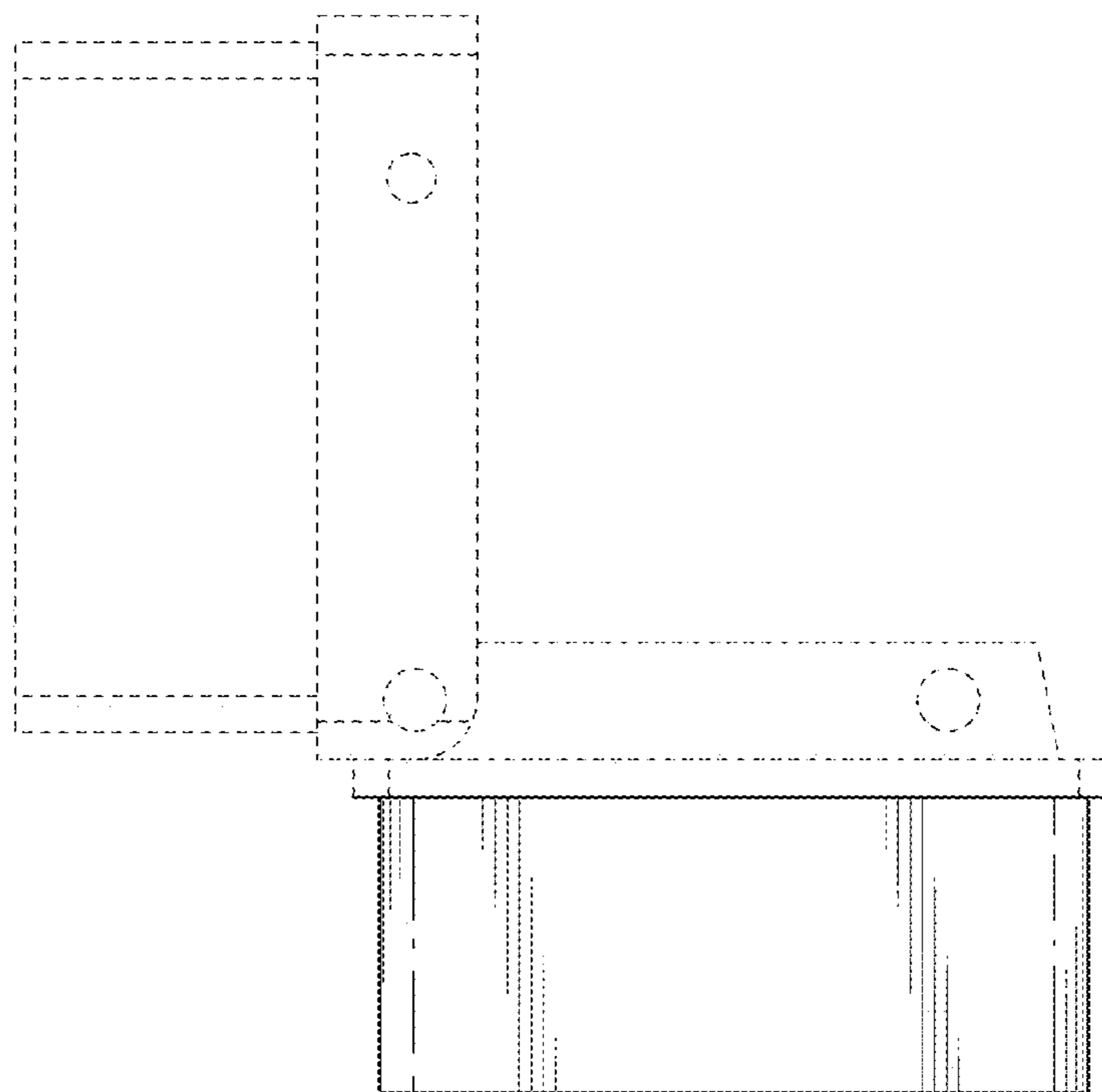


FIG. 5

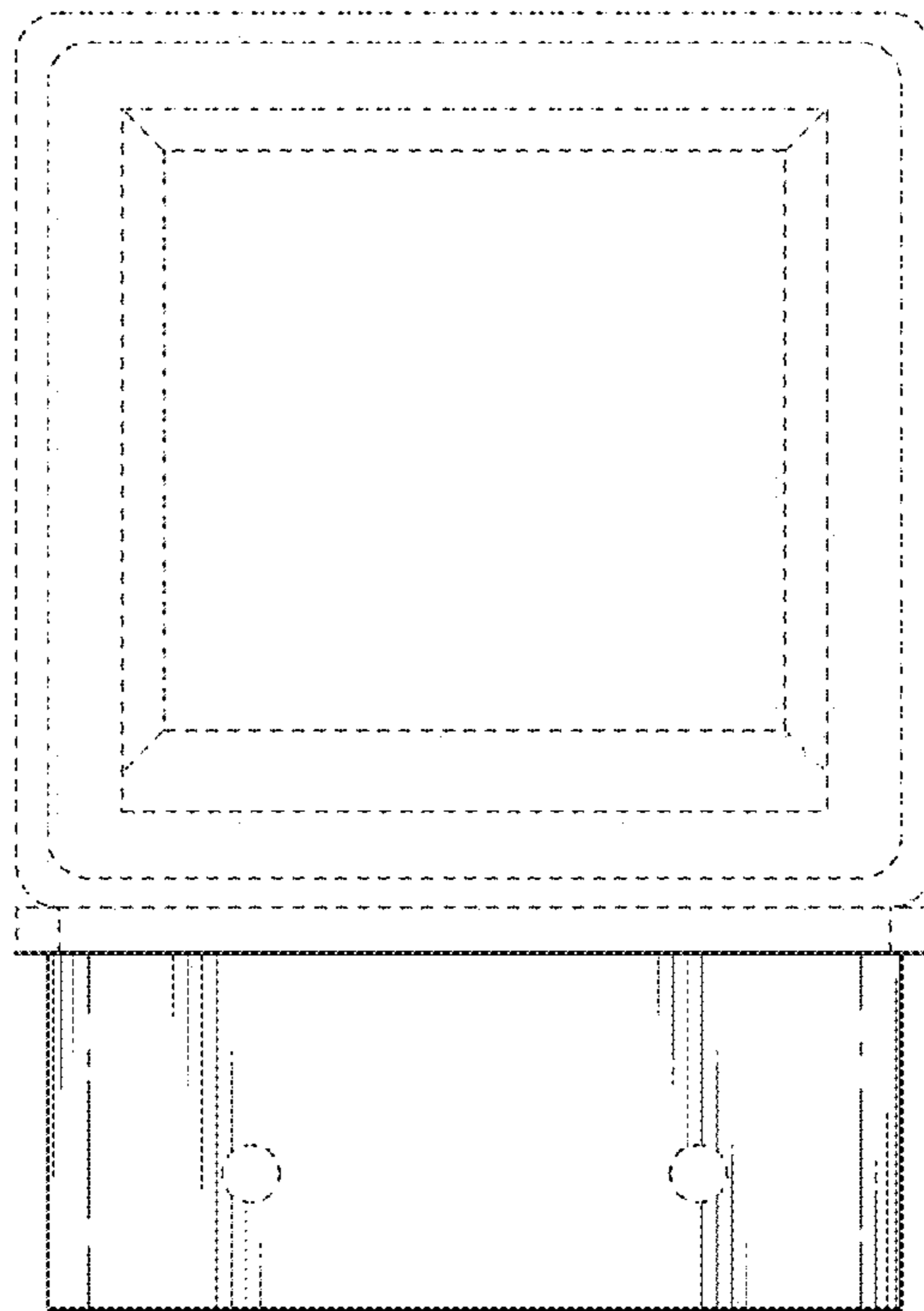


FIG. 6

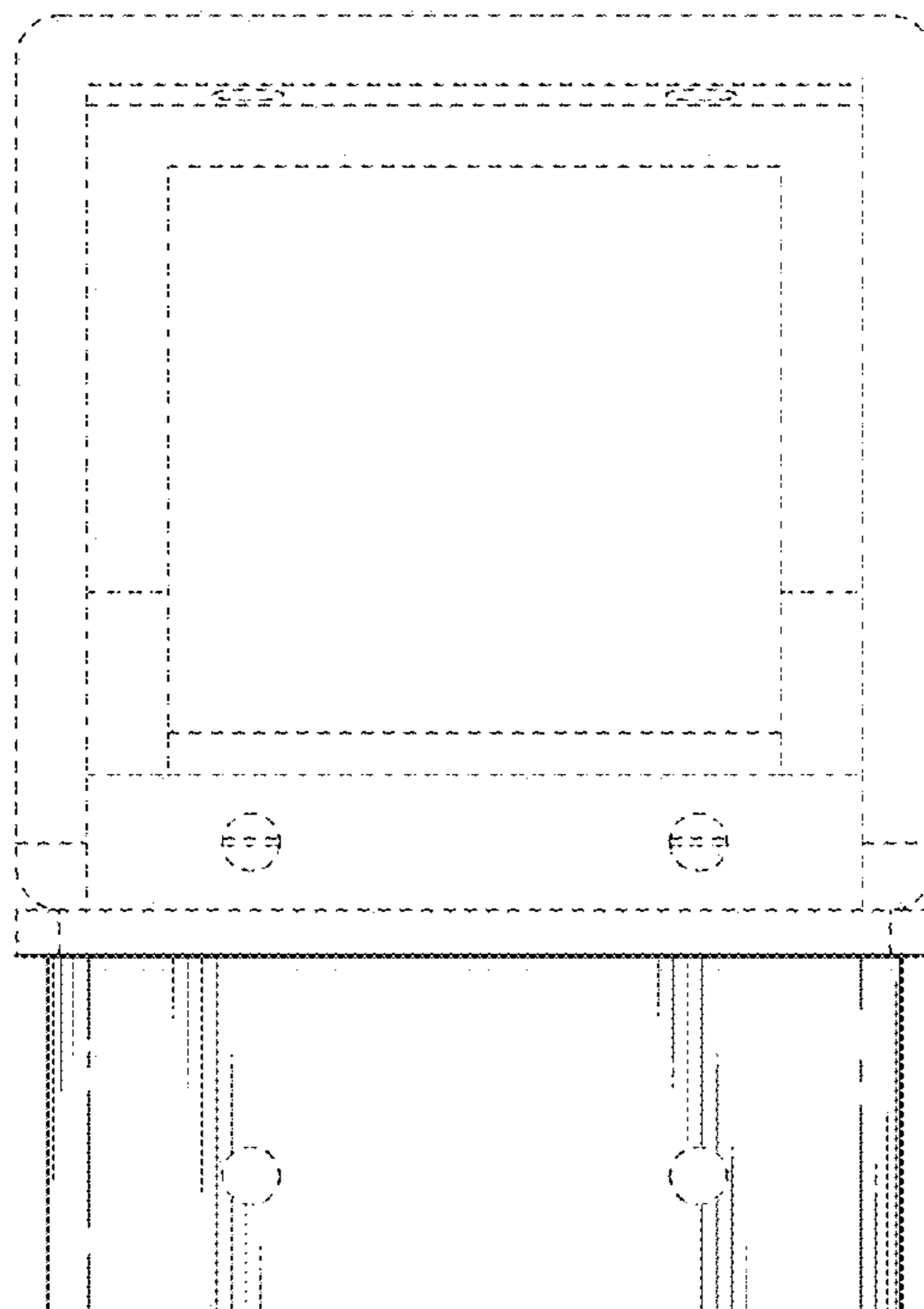


FIG. 7

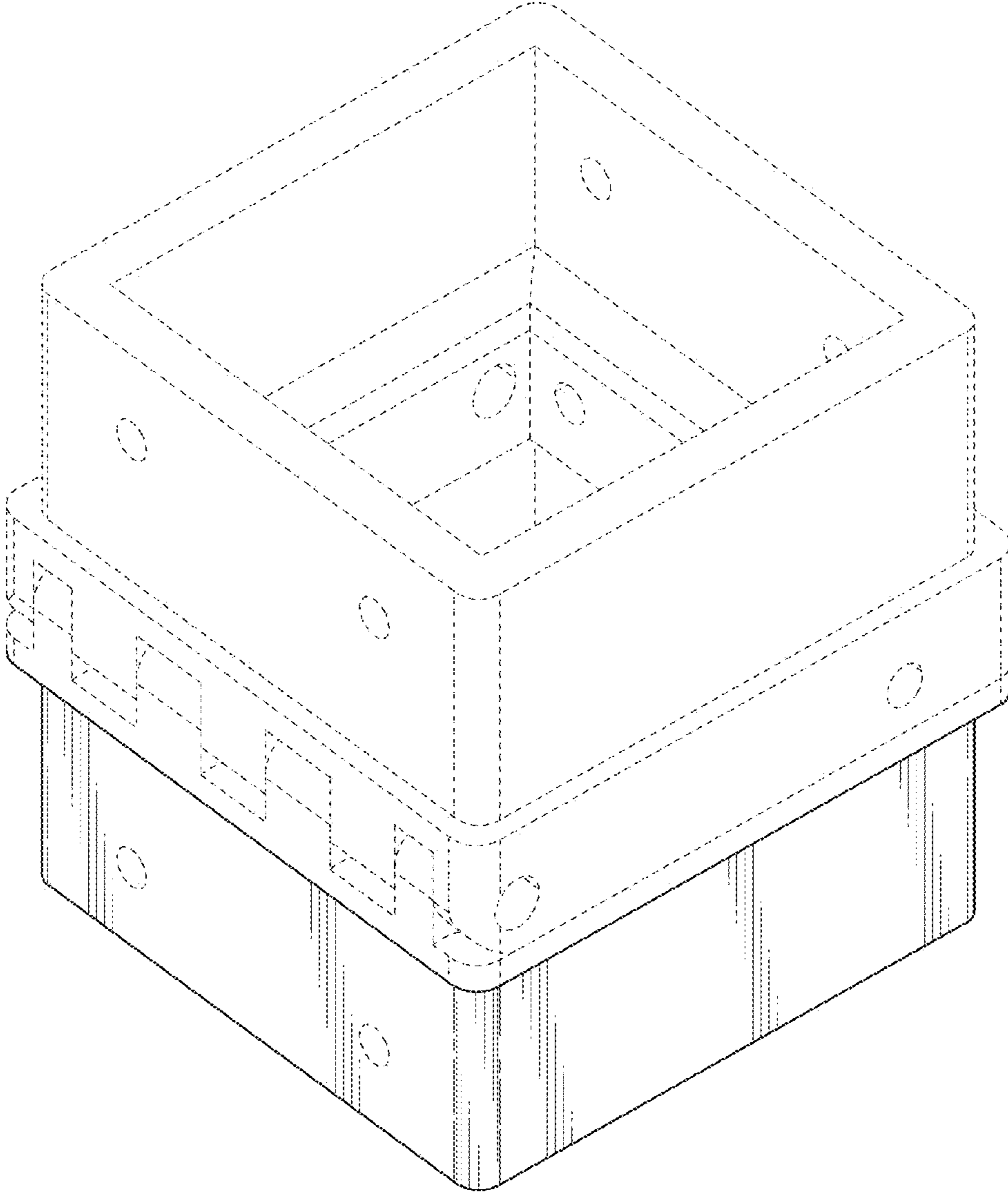


FIG. 8

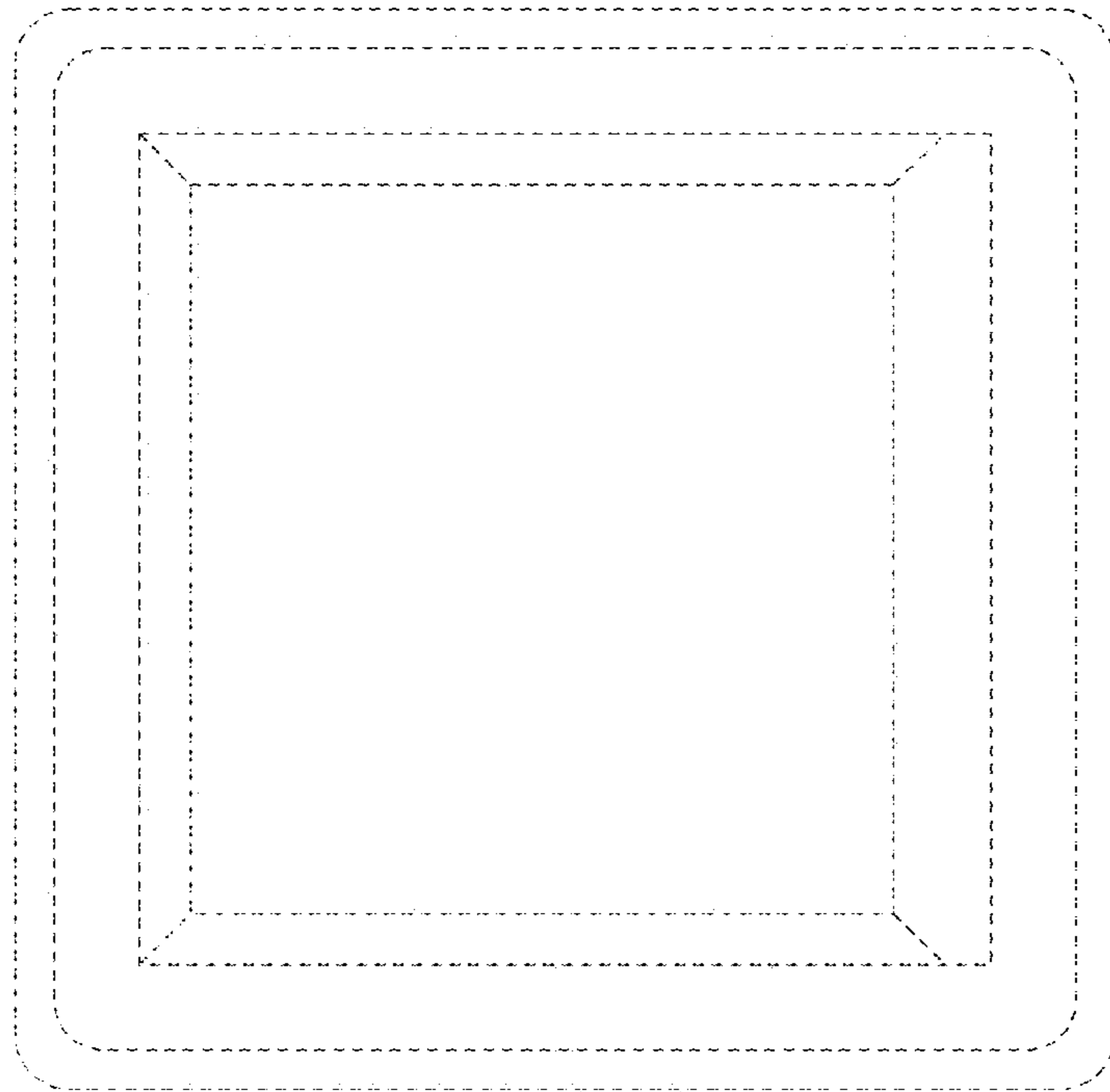


FIG. 9

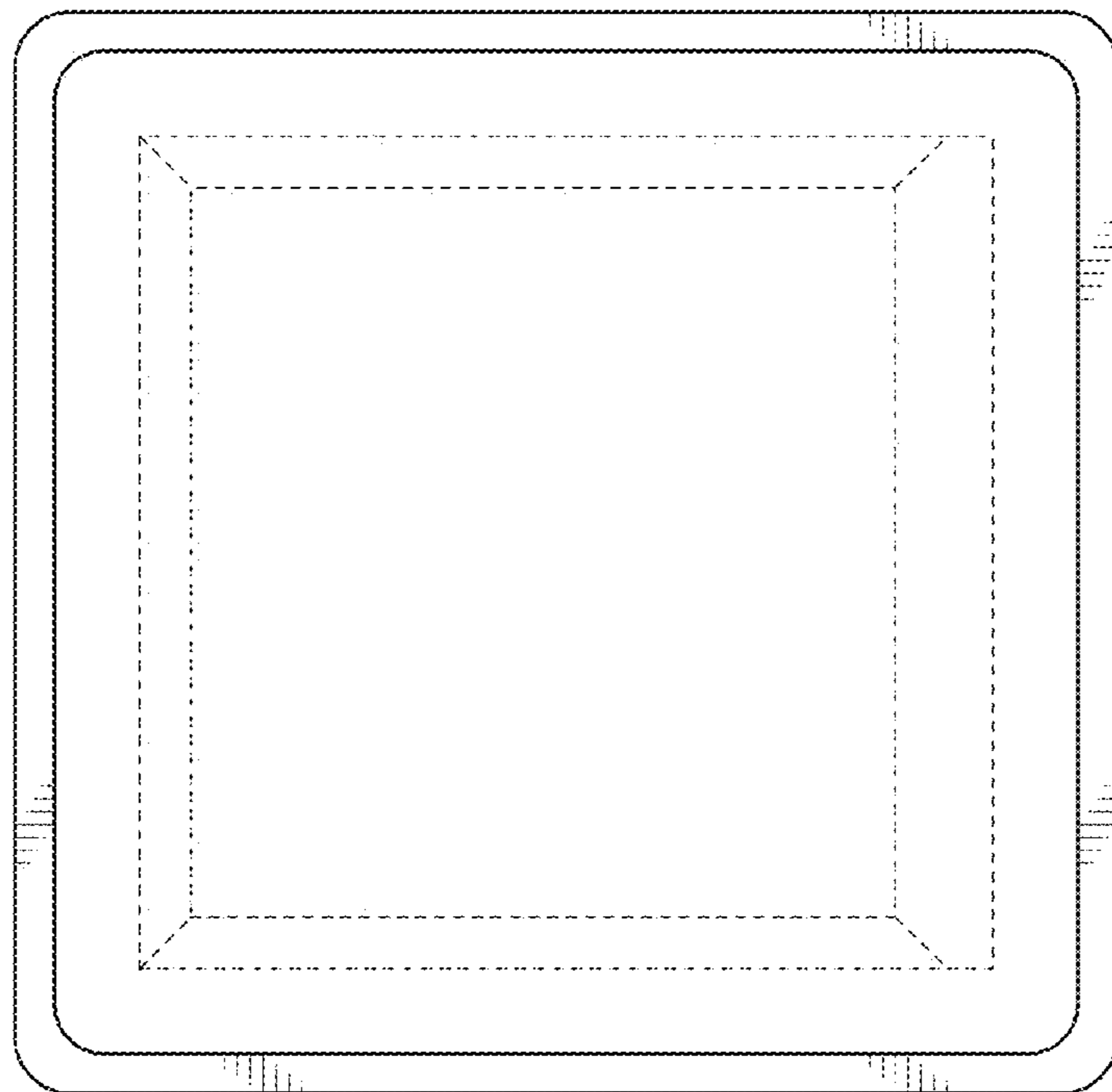


FIG. 10

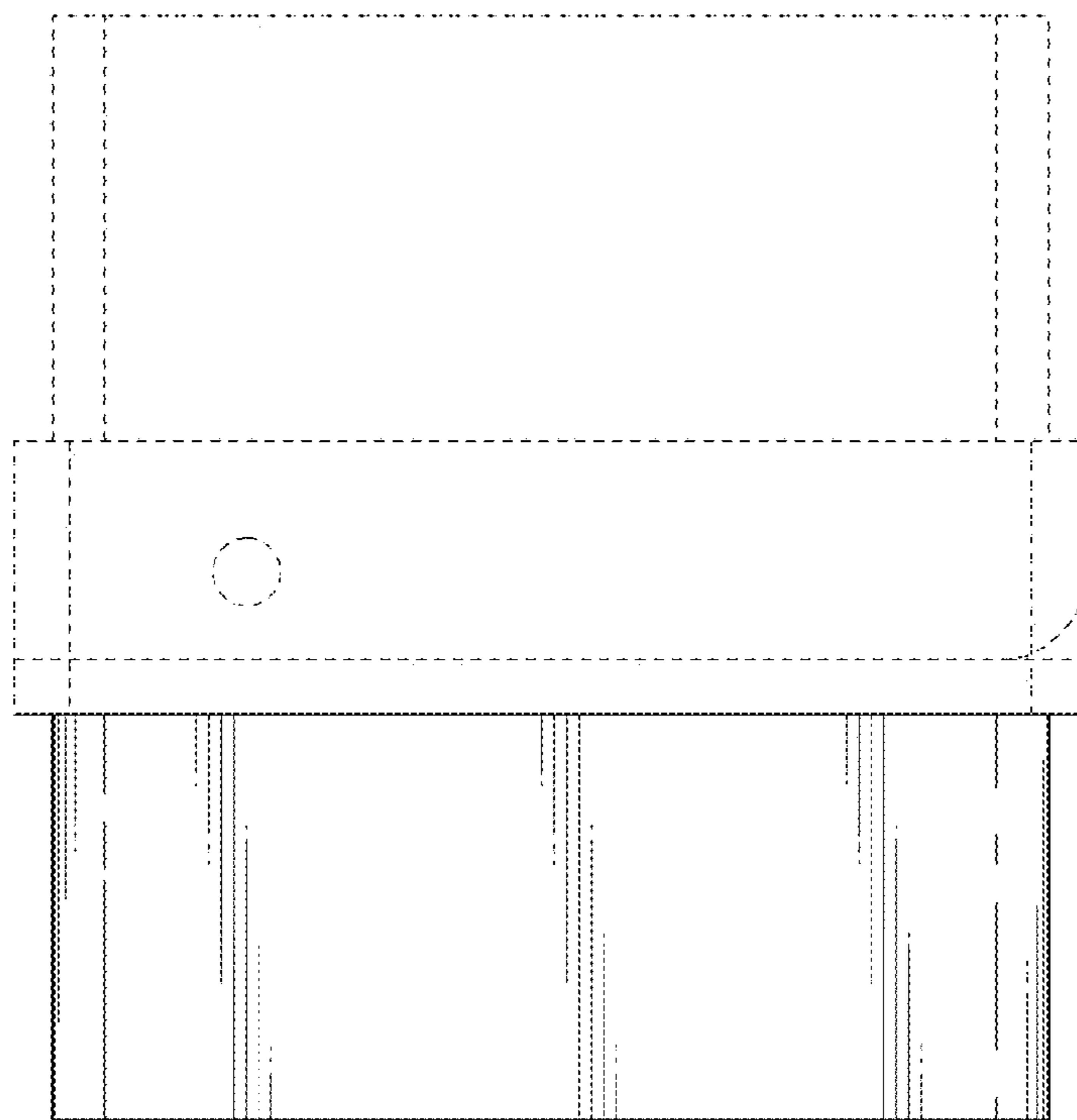


FIG. 11

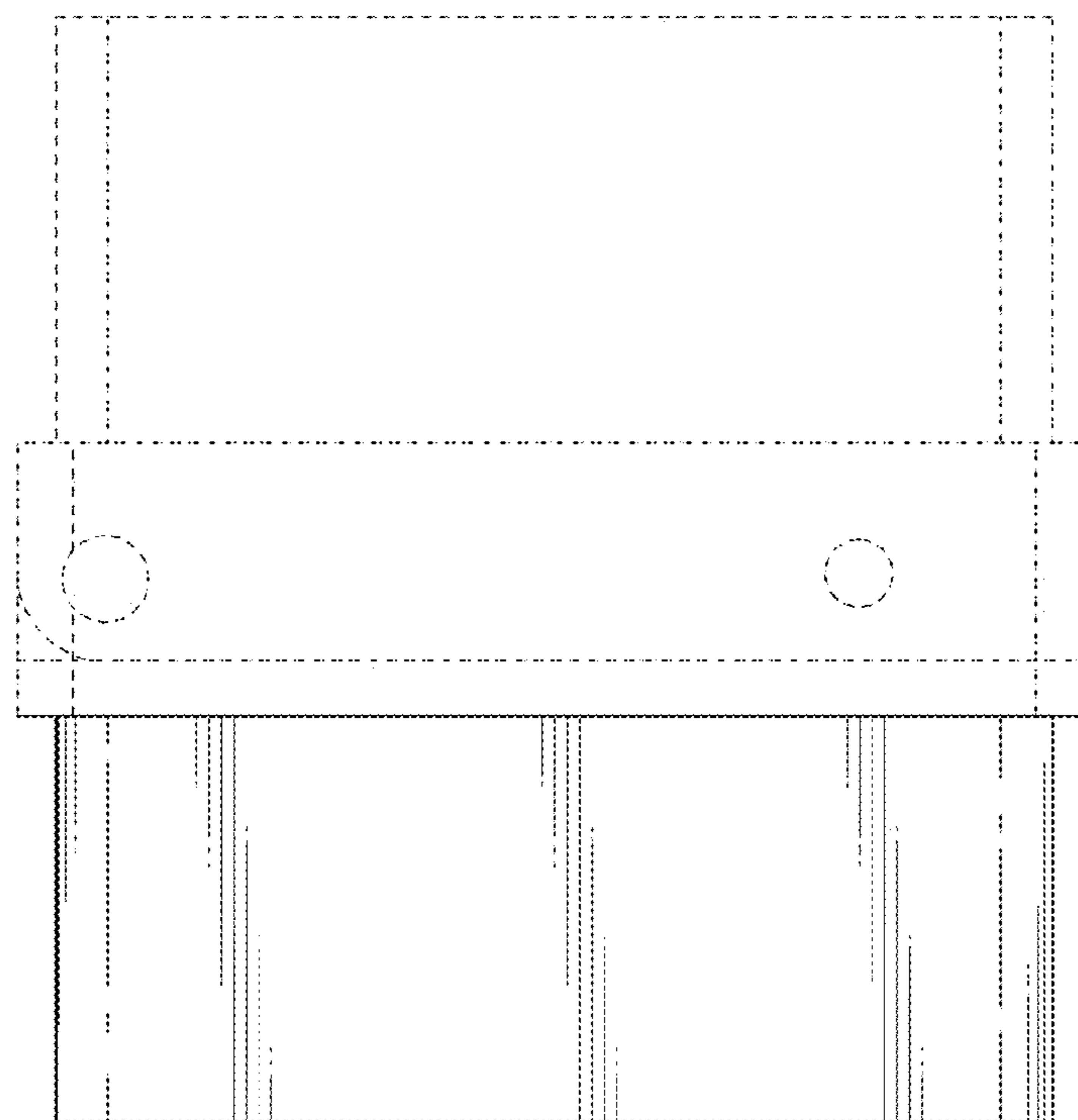


FIG. 12

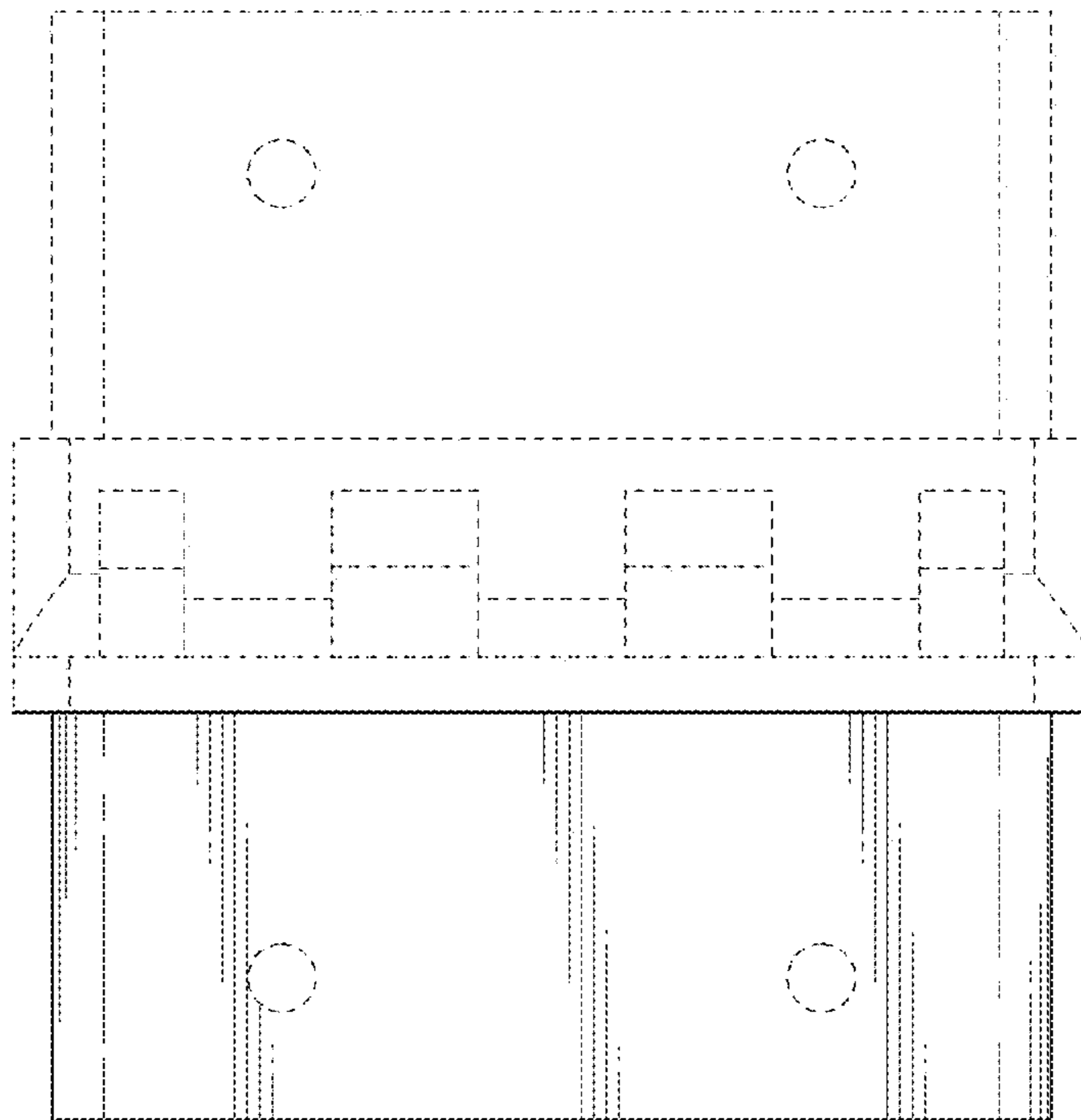


FIG. 13

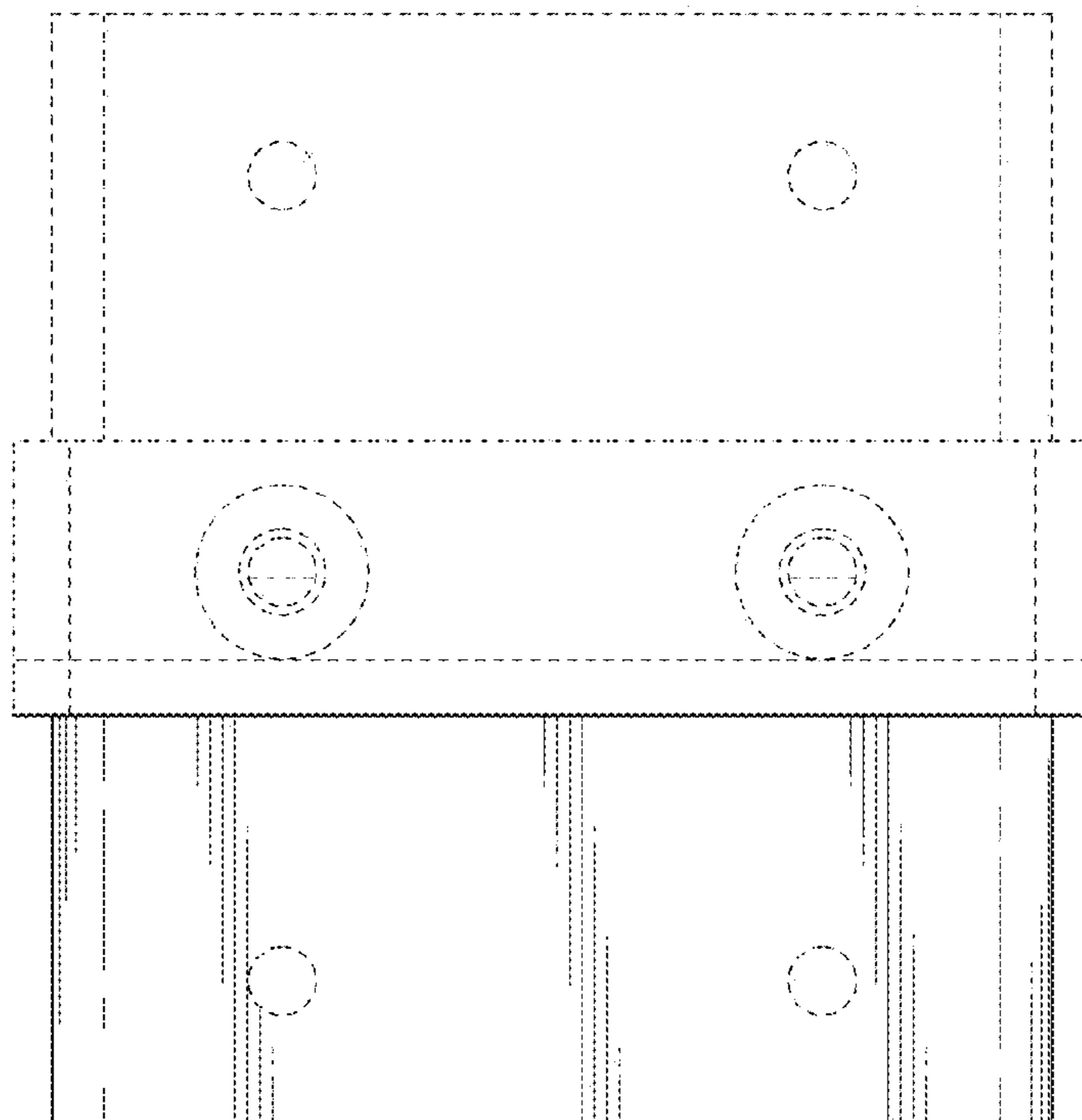


FIG. 14

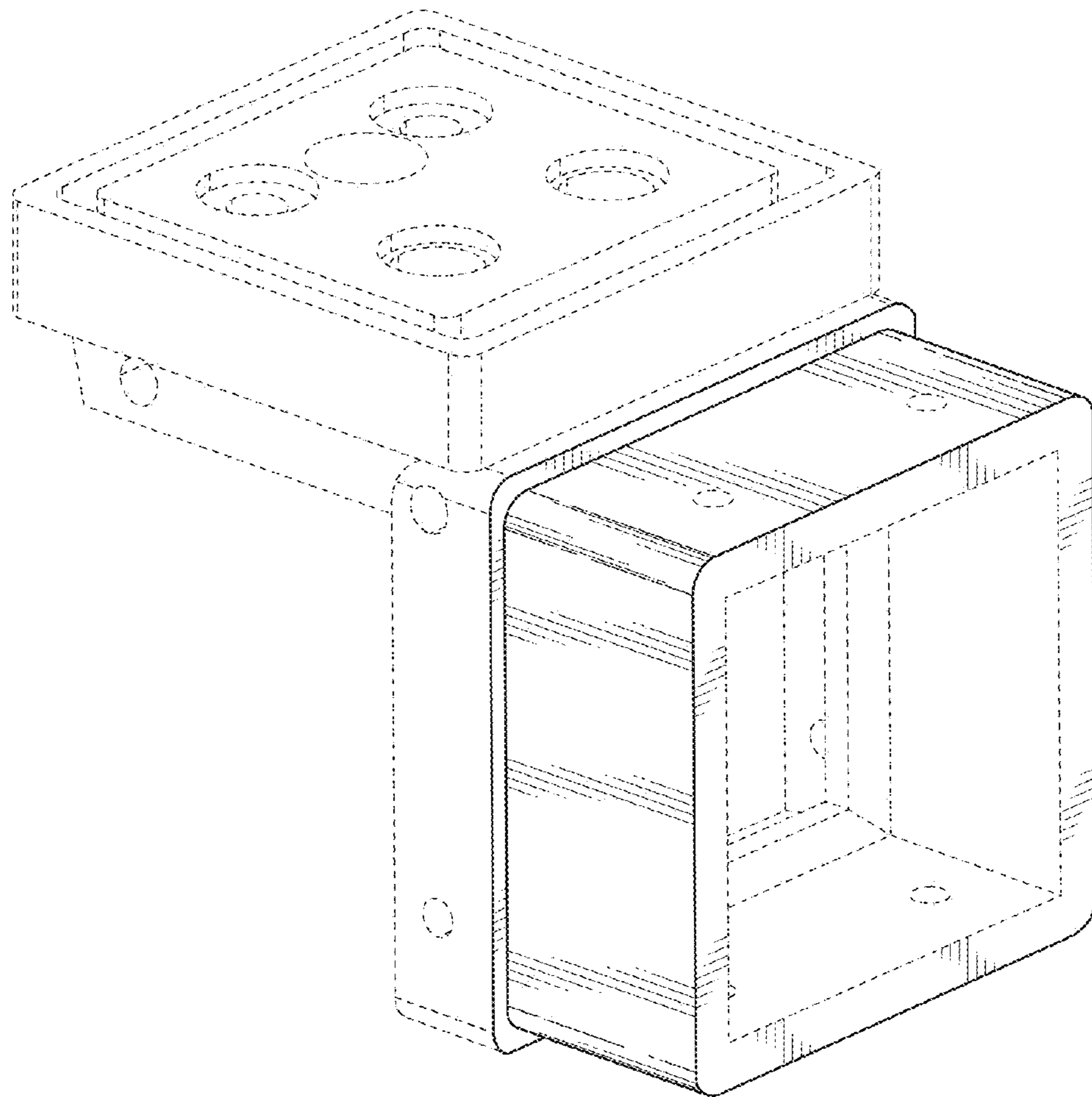


FIG. 15

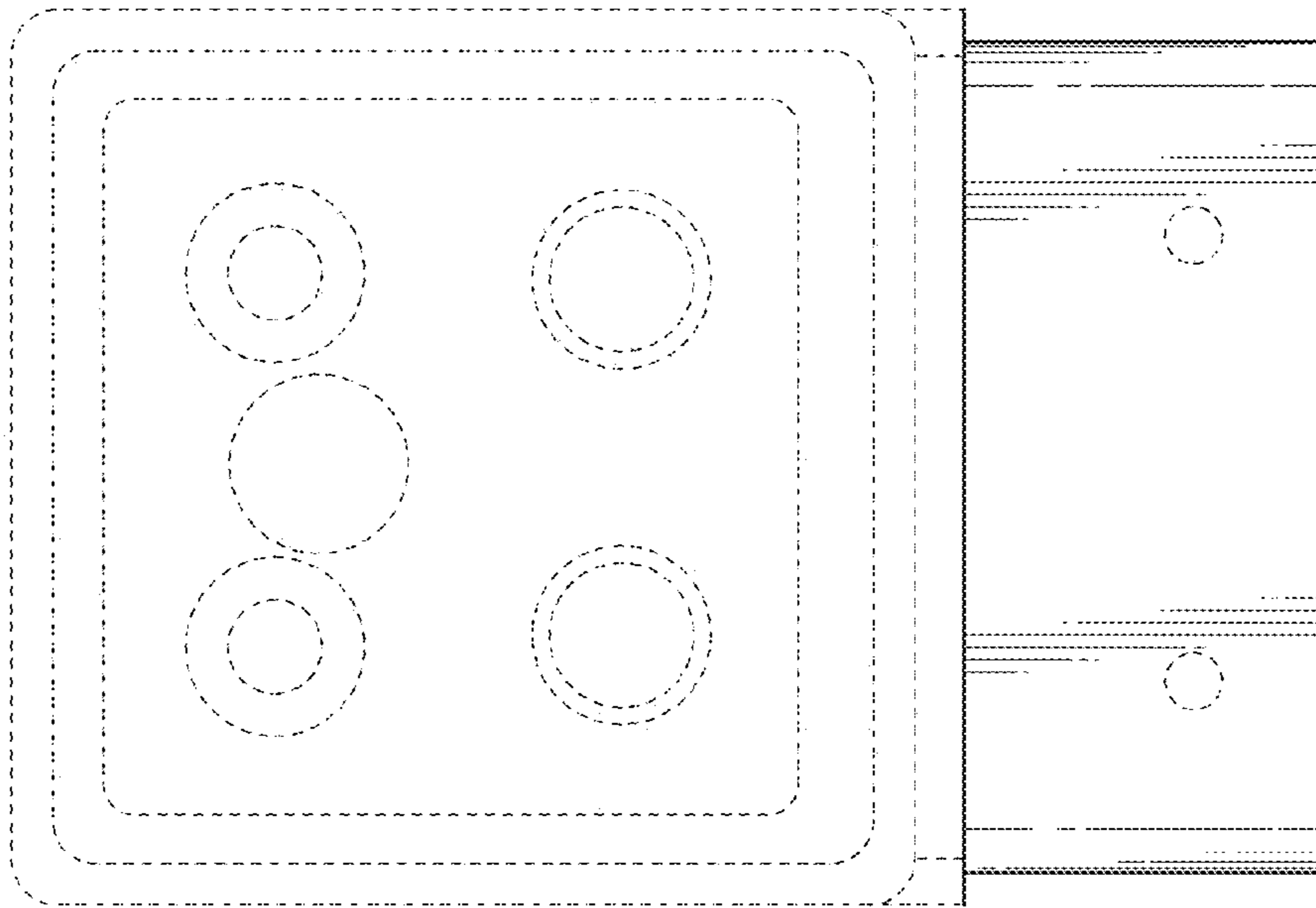


FIG. 16

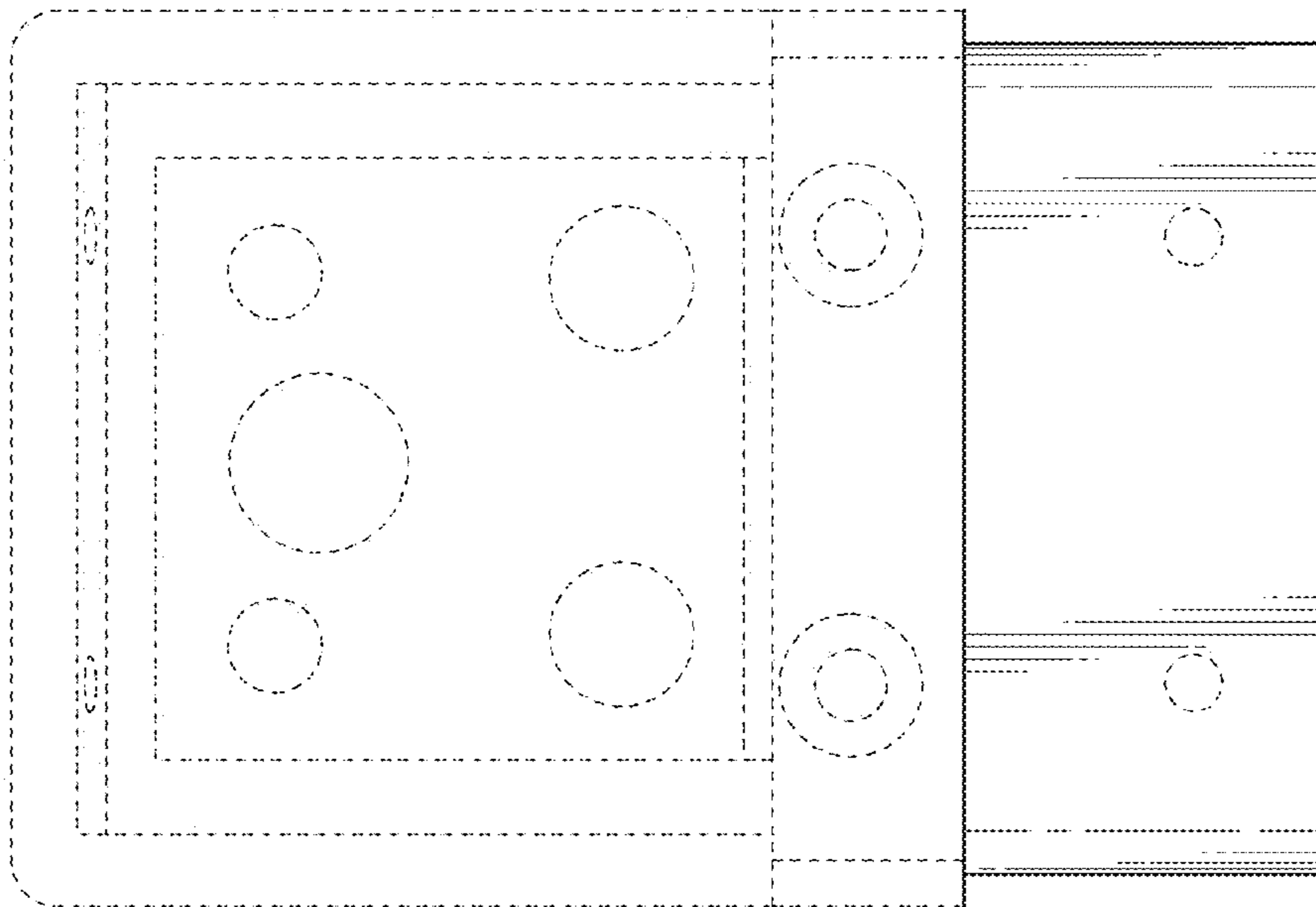


FIG. 17

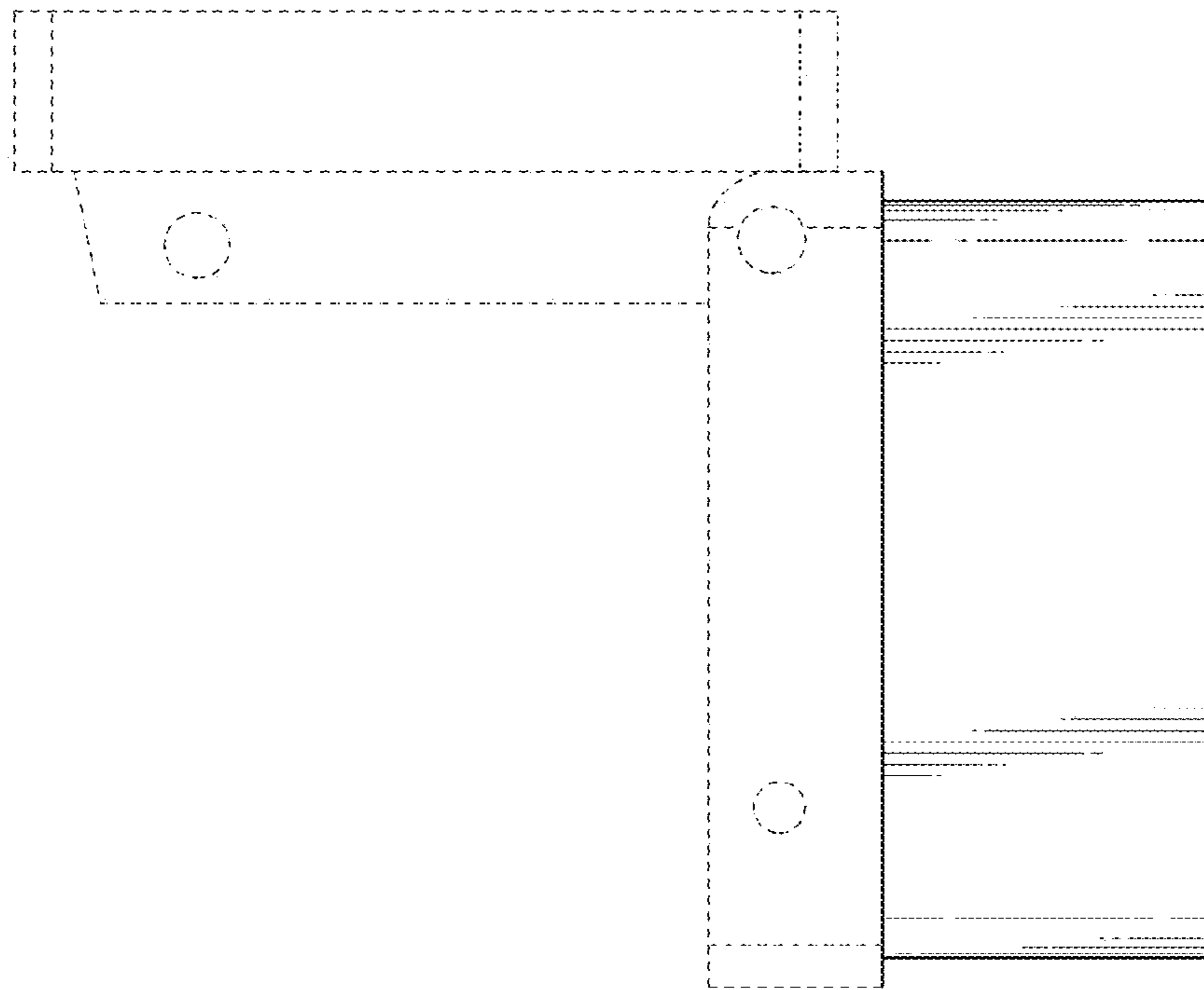


FIG. 18

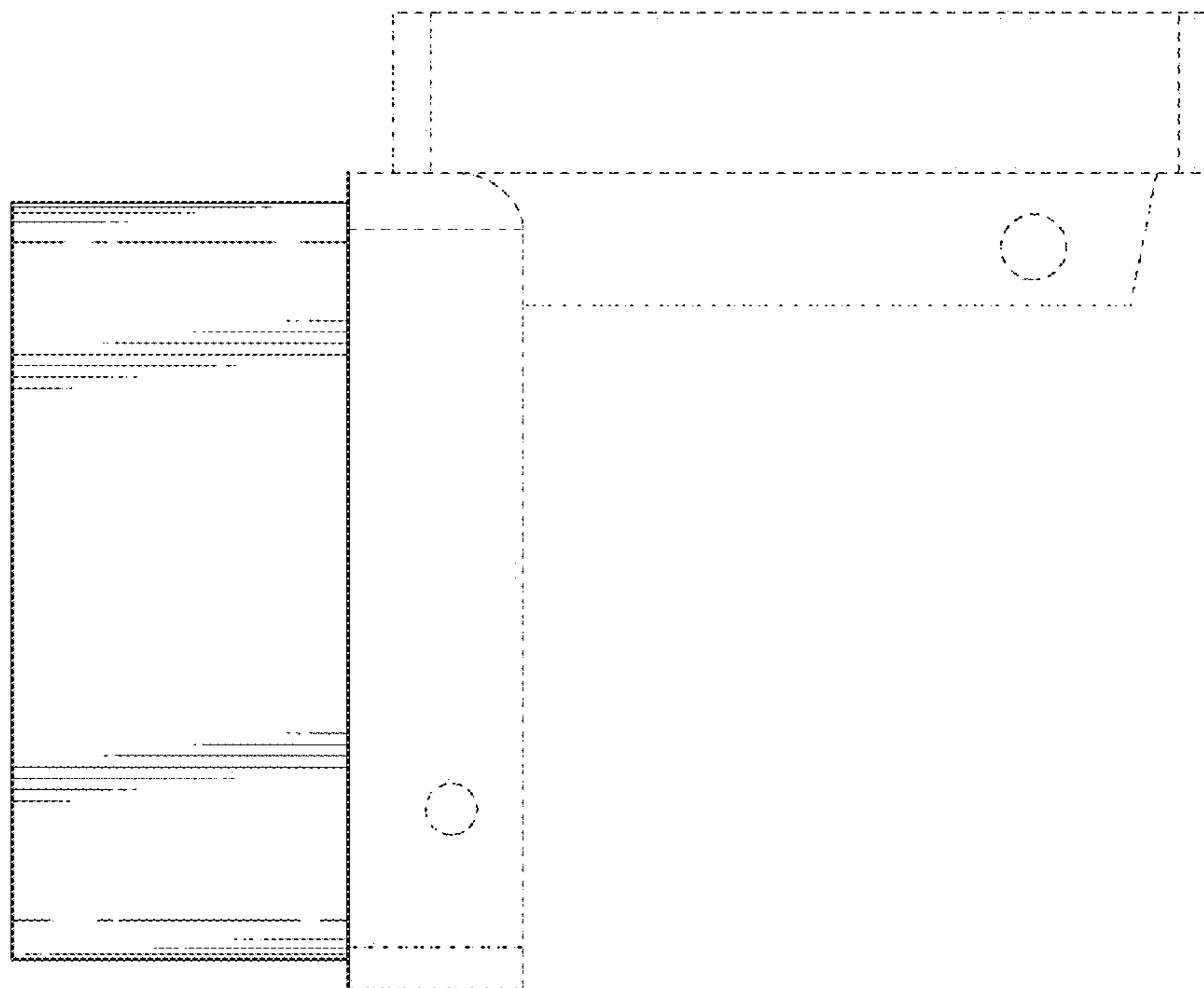


FIG. 19

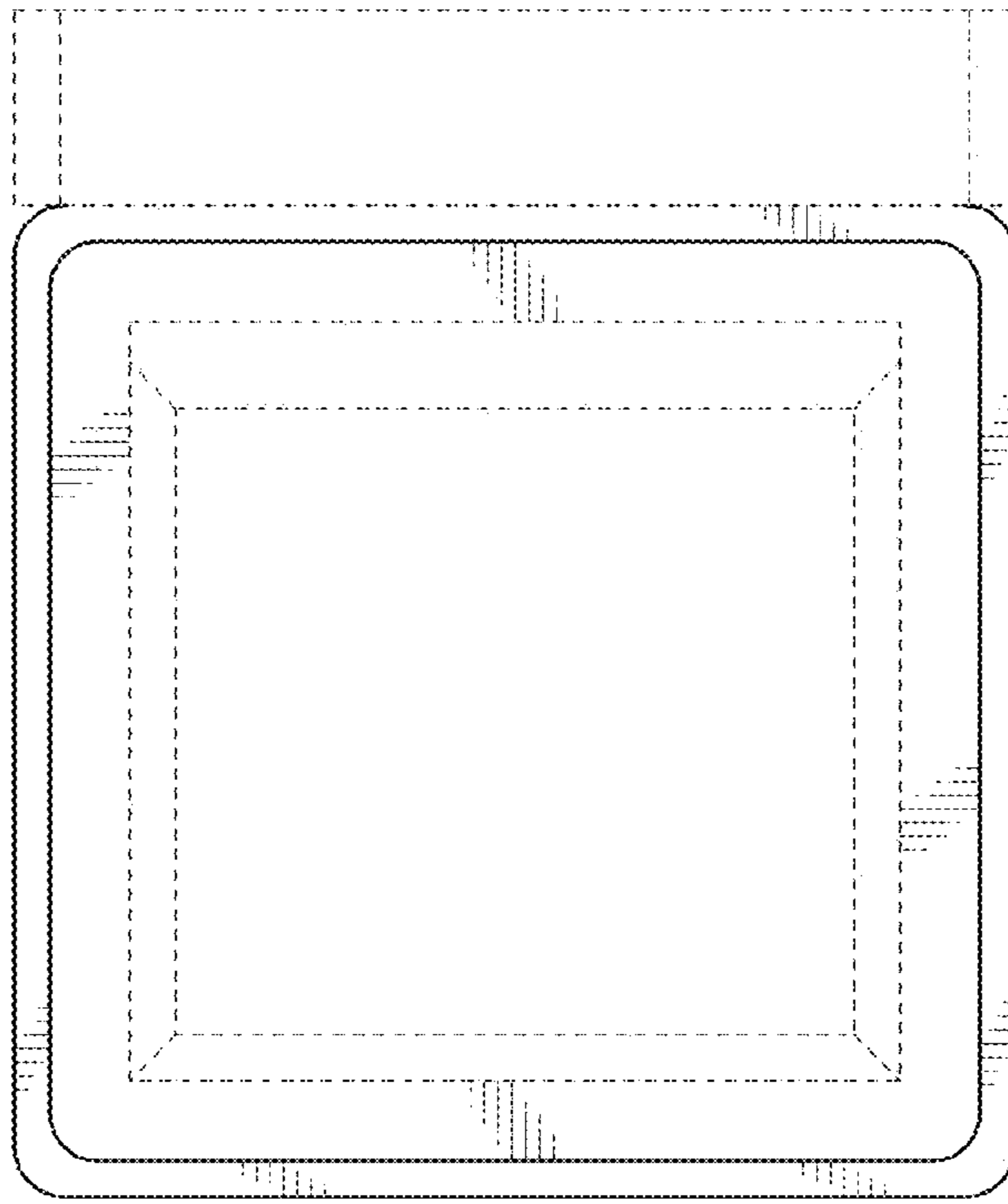


FIG. 20

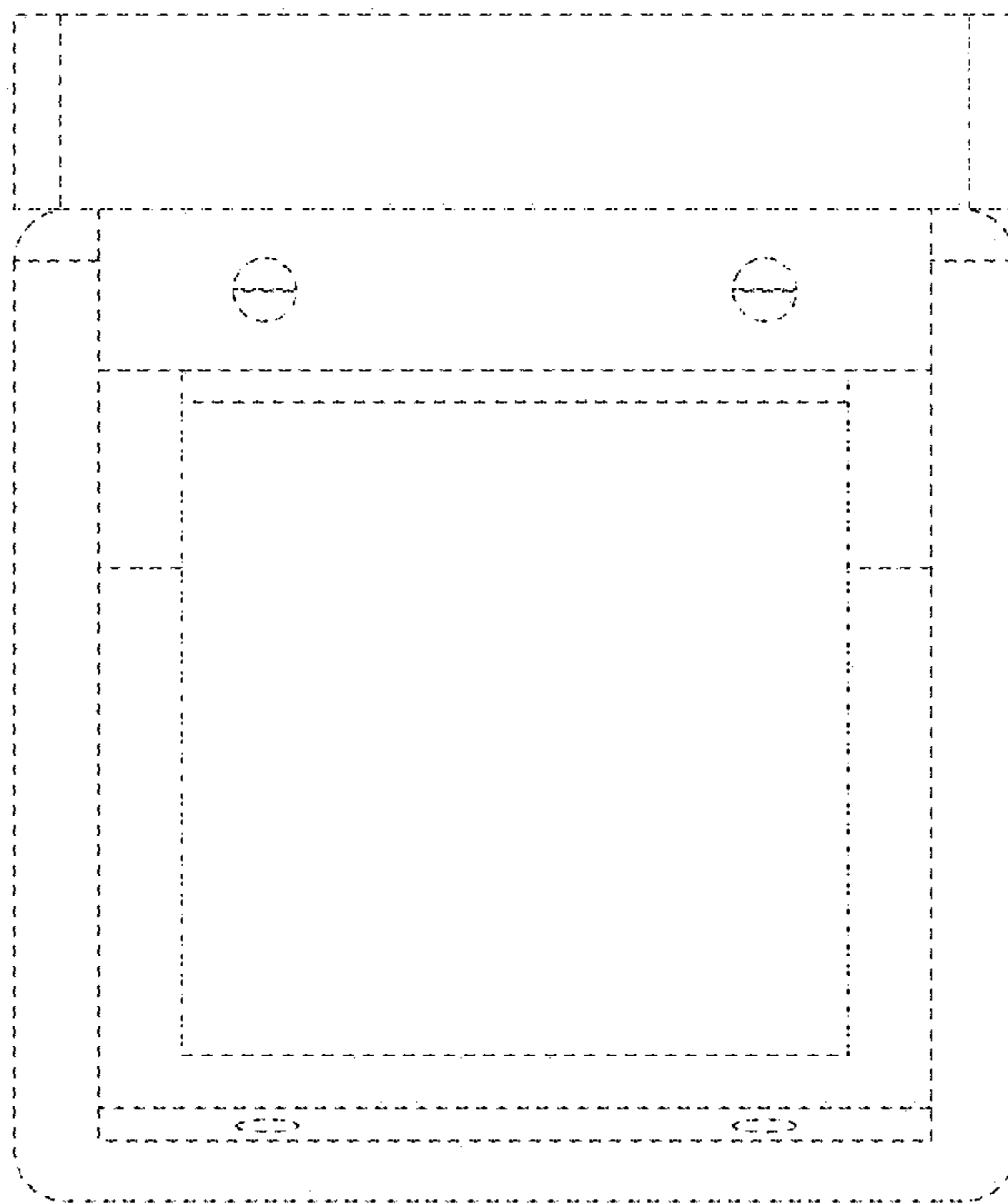


FIG. 21

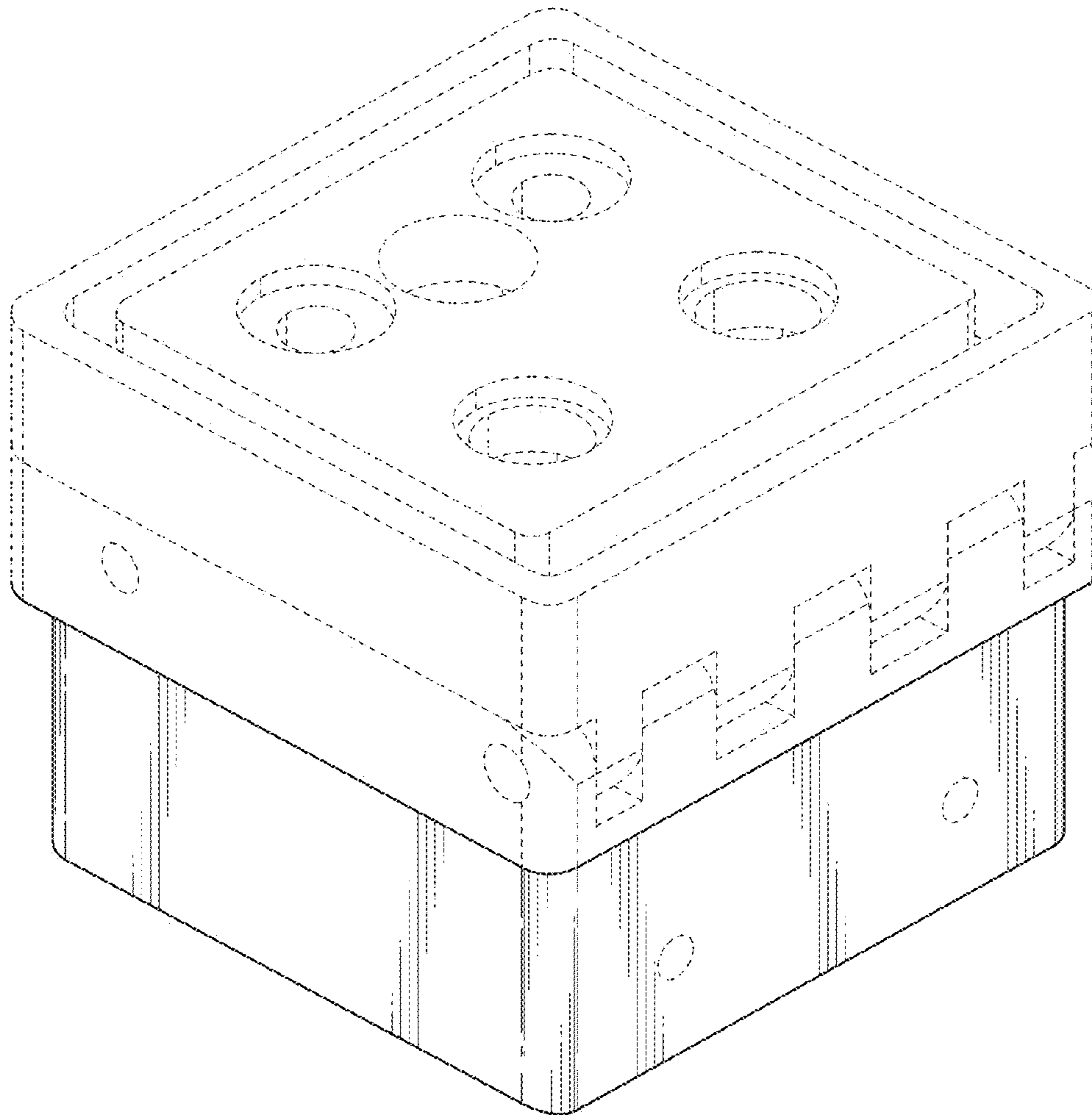


FIG. 22

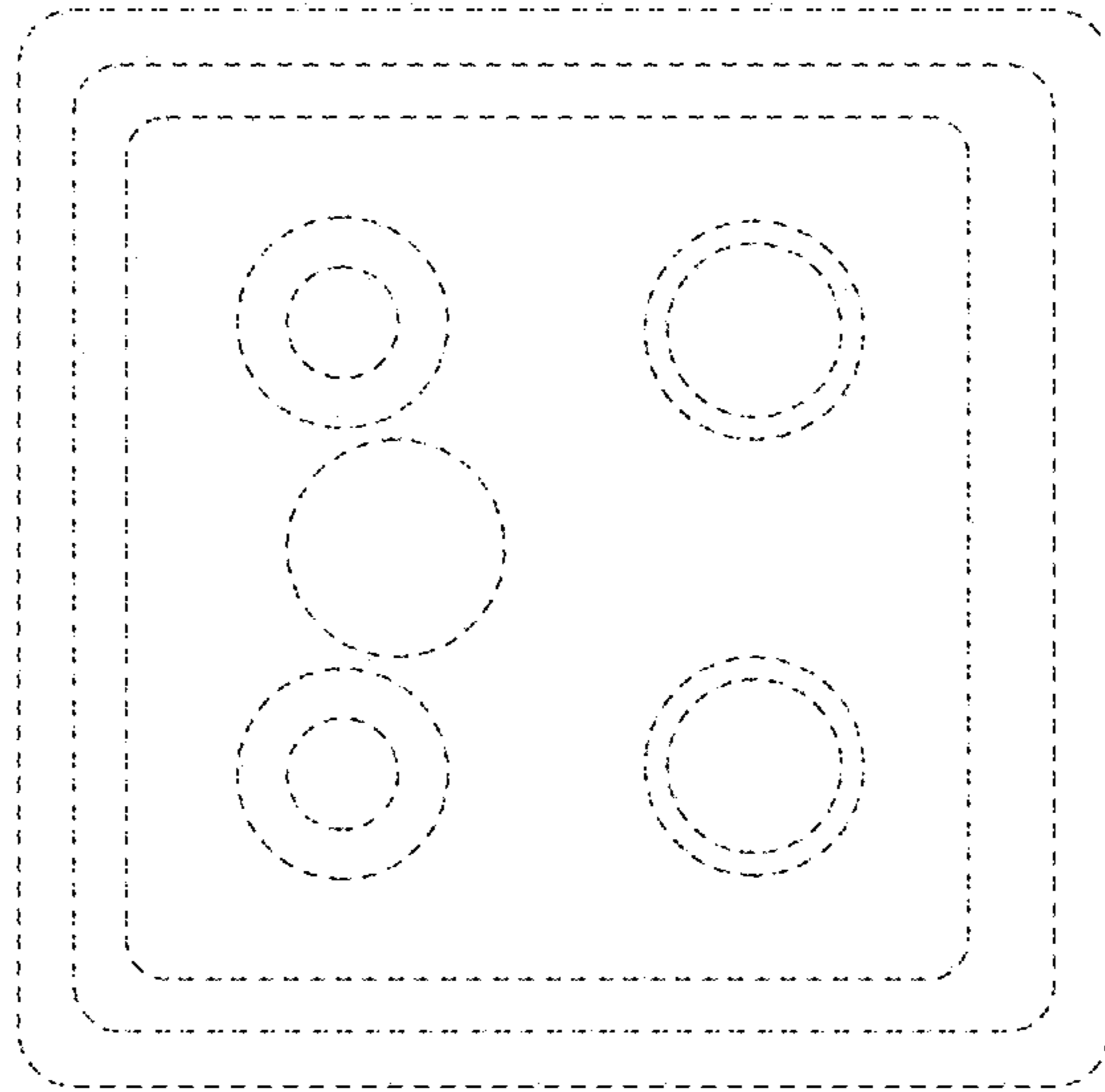


FIG. 23

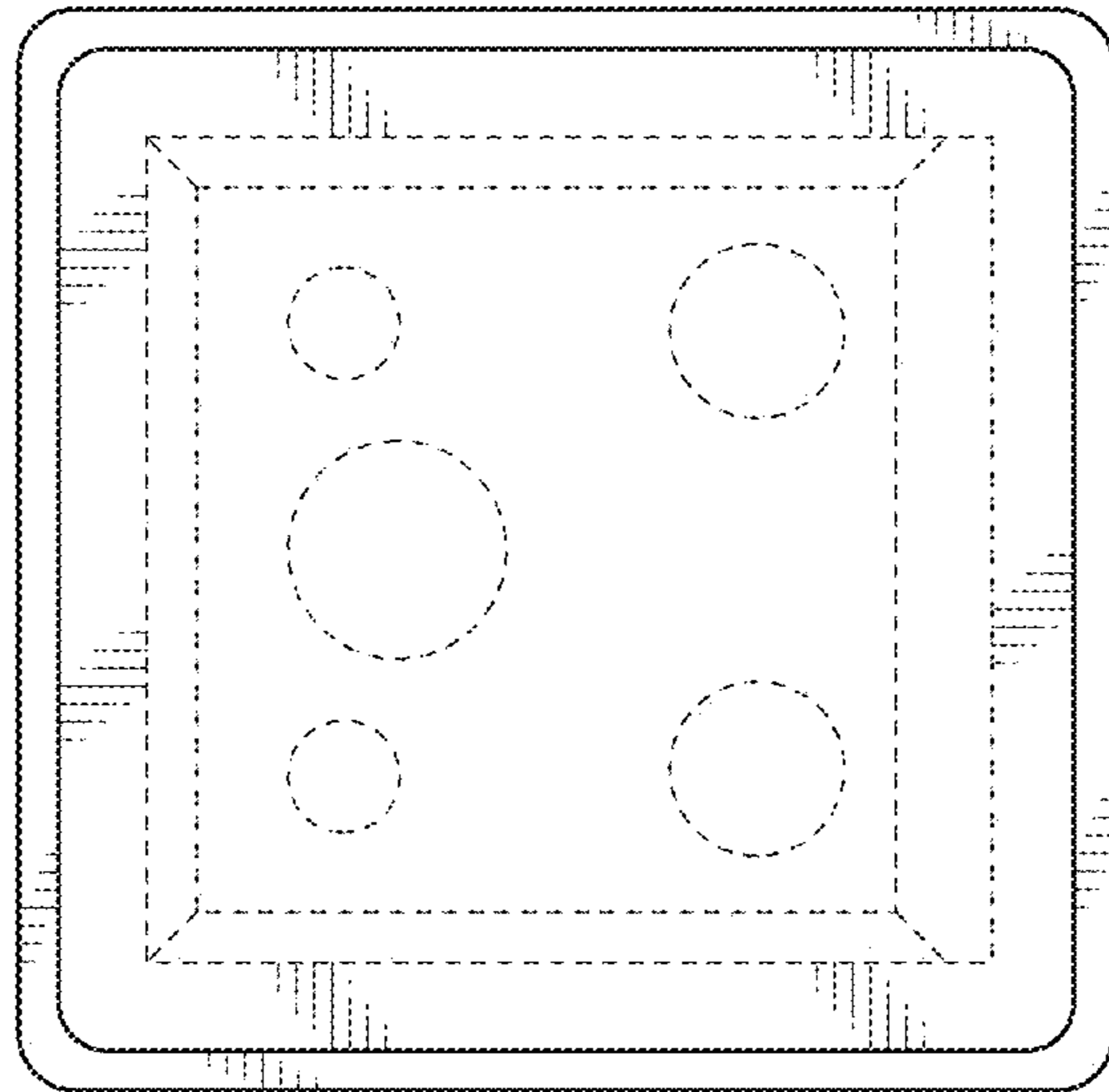


FIG. 24

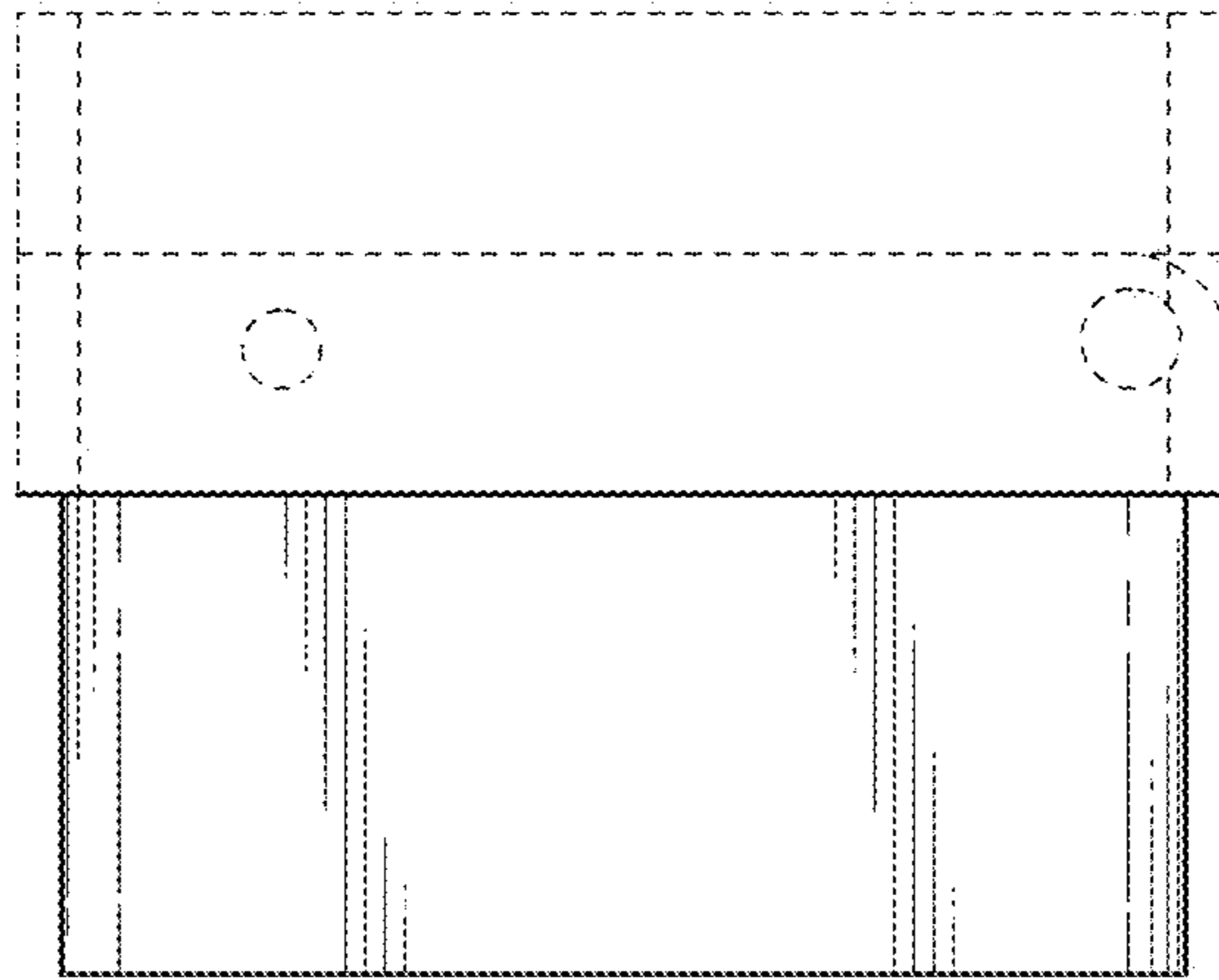


FIG. 25

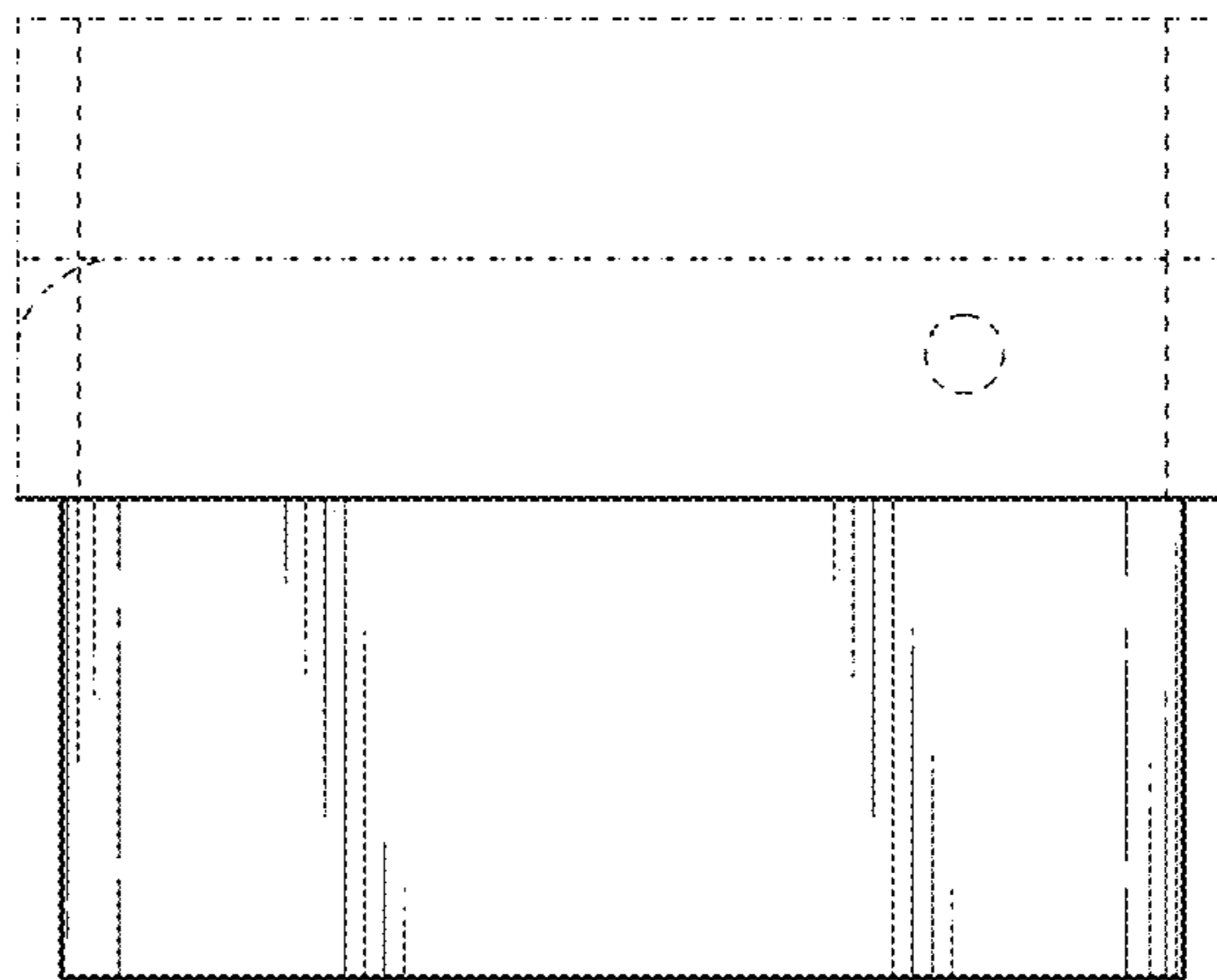


FIG. 26

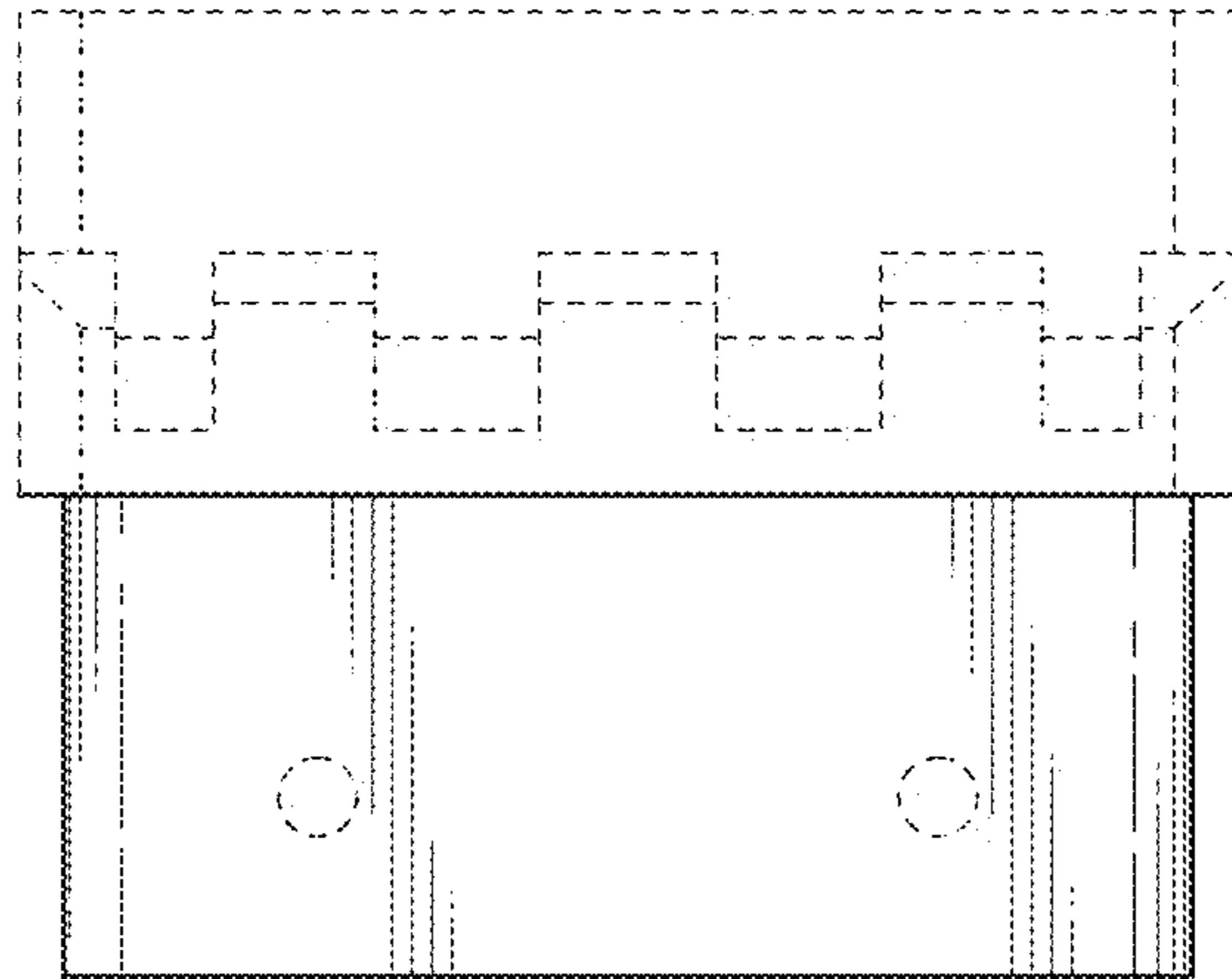


FIG. 27

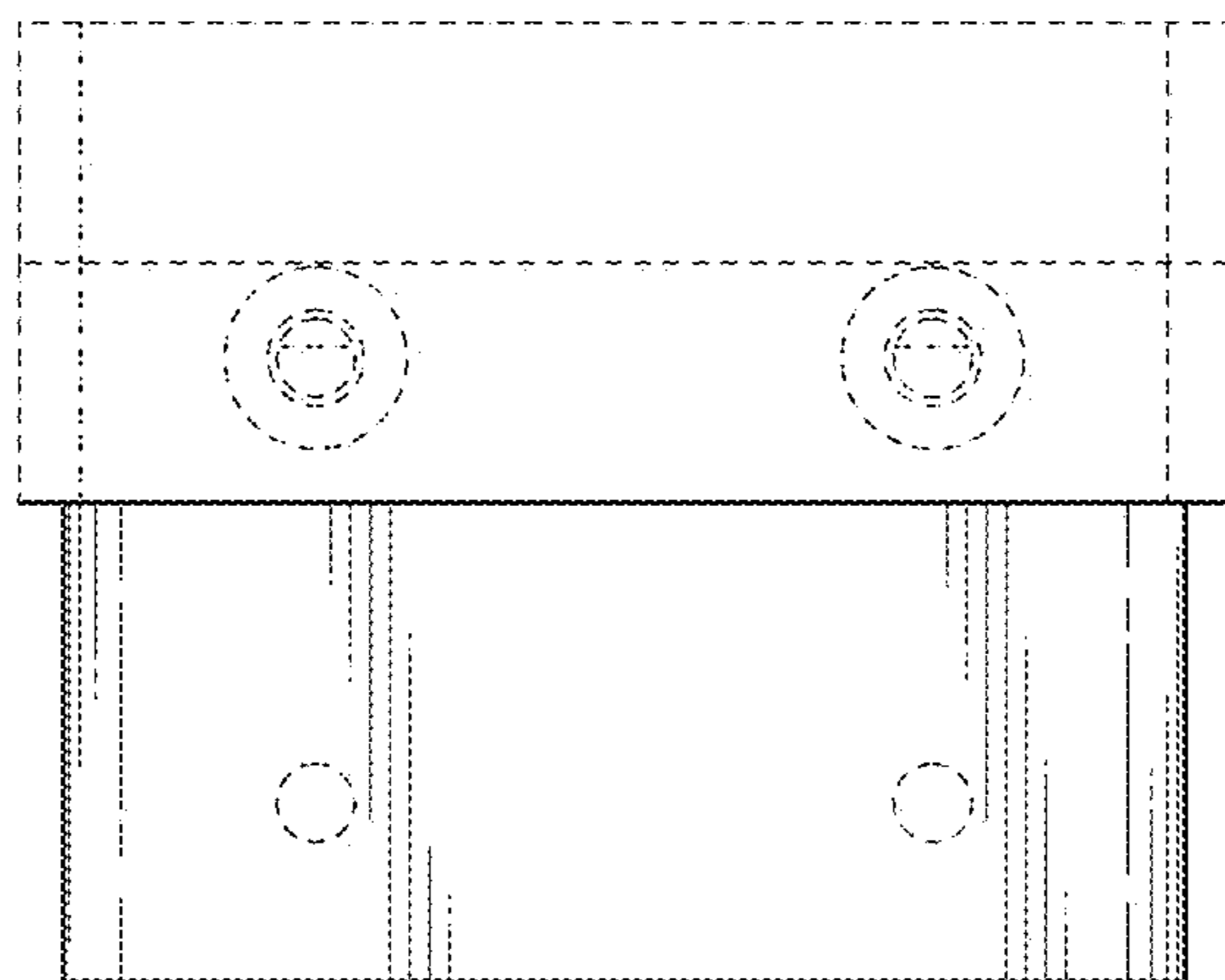


FIG. 28