



US00D722483S

(12) **United States Design Patent**
Han

(10) **Patent No.:** **US D722,483 S**

(45) **Date of Patent:** **** *Feb. 17, 2015**

(54) **CABINET KNOB**

(71) Applicant: **Hardware Resources, Inc.**, Bossier
City, LA (US)

(72) Inventor: **Kukjin Han**, High Point, NC (US)

(73) Assignee: **Hardware Resources, Inc.**, Bossier
City, LA (US)

(*) Notice: This patent is subject to a terminal disclaimer.

(**) Term: **14 Years**

(21) Appl. No.: **29/457,256**

(22) Filed: **Jun. 7, 2013**

(51) **LOC (10) Cl.** **08-06**

(52) **U.S. Cl.**
USPC **D8/307; D8/305**

(58) **Field of Classification Search**
CPC A47B 95/02
USPC D14/307, 305, 300, 310; D6/524;
D7/393; 16/110.1, 417, 415; D23/250,
D23/254; 292/347, 352, 336.3, 348, 350;
D8/307, 305, 300, 310
See application file for complete search history.

(56) **References Cited**

U.S. PATENT DOCUMENTS

D98,585 S * 2/1936 Fisher D11/222
D197,212 S * 12/1963 Clayton D8/307

D204,128 S * 3/1966 Clayton D8/317
D252,183 S * 6/1979 DeWindt D8/300
D442,055 S * 5/2001 Dewald et al. D8/310
D540,142 S * 4/2007 Rexach D8/307
D563,195 S * 3/2008 Ricereto D8/310
D602,332 S * 10/2009 Hanes D8/307
D602,333 S * 10/2009 Hanes D8/307
D634,178 S * 3/2011 Owens D8/316
D679,978 S * 4/2013 Ramsland et al. D8/307
D679,979 S * 4/2013 Ramsland et al. D8/307
D680,405 S * 4/2013 Ramsland et al. D8/307
D707,098 S * 6/2014 Han D8/307
D708,040 S * 7/2014 Han D8/307

* cited by examiner

Primary Examiner — Paula Greene

(74) *Attorney, Agent, or Firm* — Schultz & Associates, P.C.

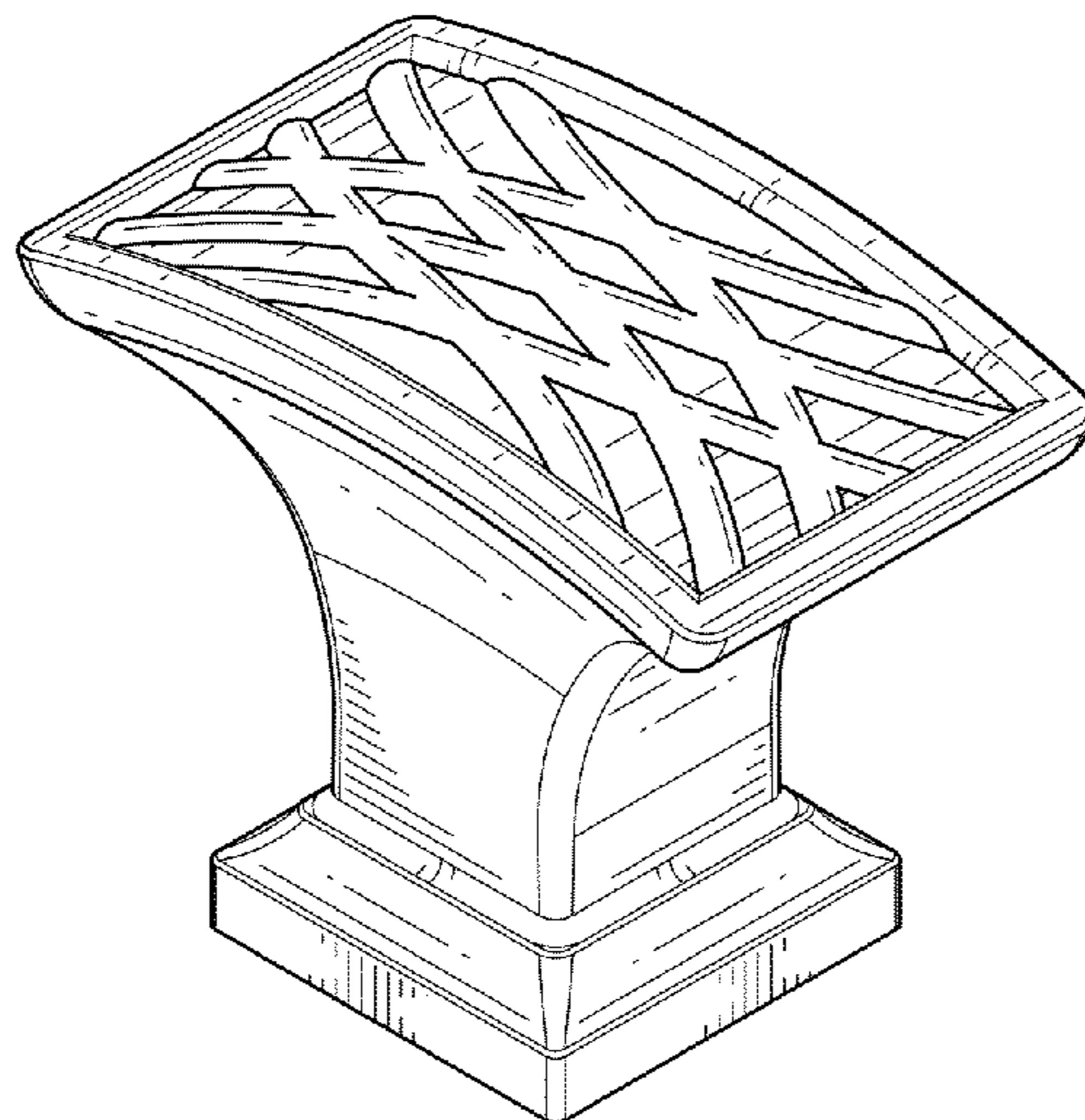
(57) **CLAIM**

The ornamental design for a cabinet knob, as shown and described.

DESCRIPTION

FIG. 1 is a perspective view of a cabinet knob showing my new design;
FIG. 2 is a side elevation view thereof;
FIG. 3 is a side elevation view thereof;
FIG. 4 is a top plan view thereof; and,
FIG. 5 is a bottom plan view thereof.
The broken lines shown represent unclaimed subject matter and form no part of the claimed design.

1 Claim, 2 Drawing Sheets



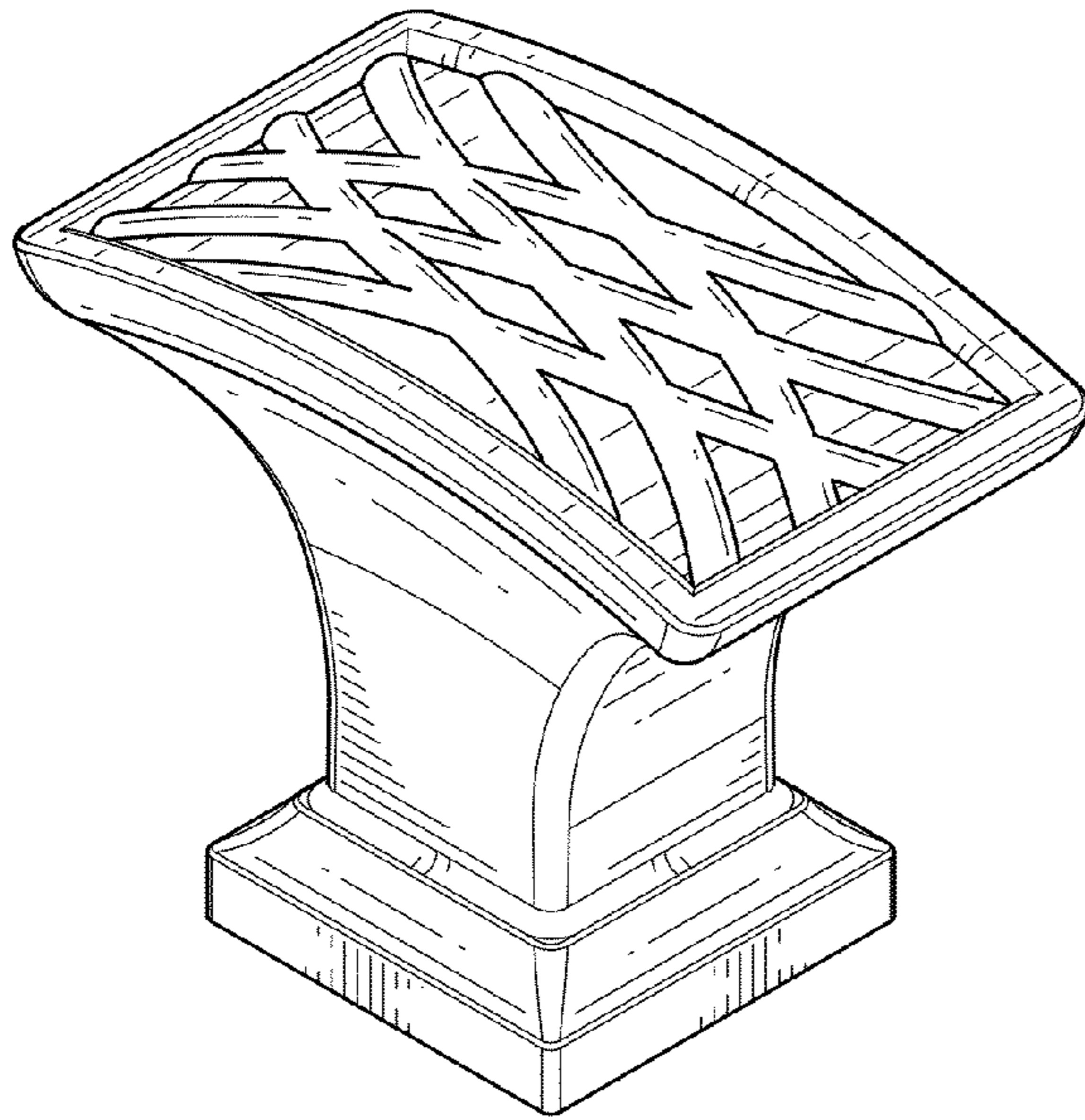


FIG. 1

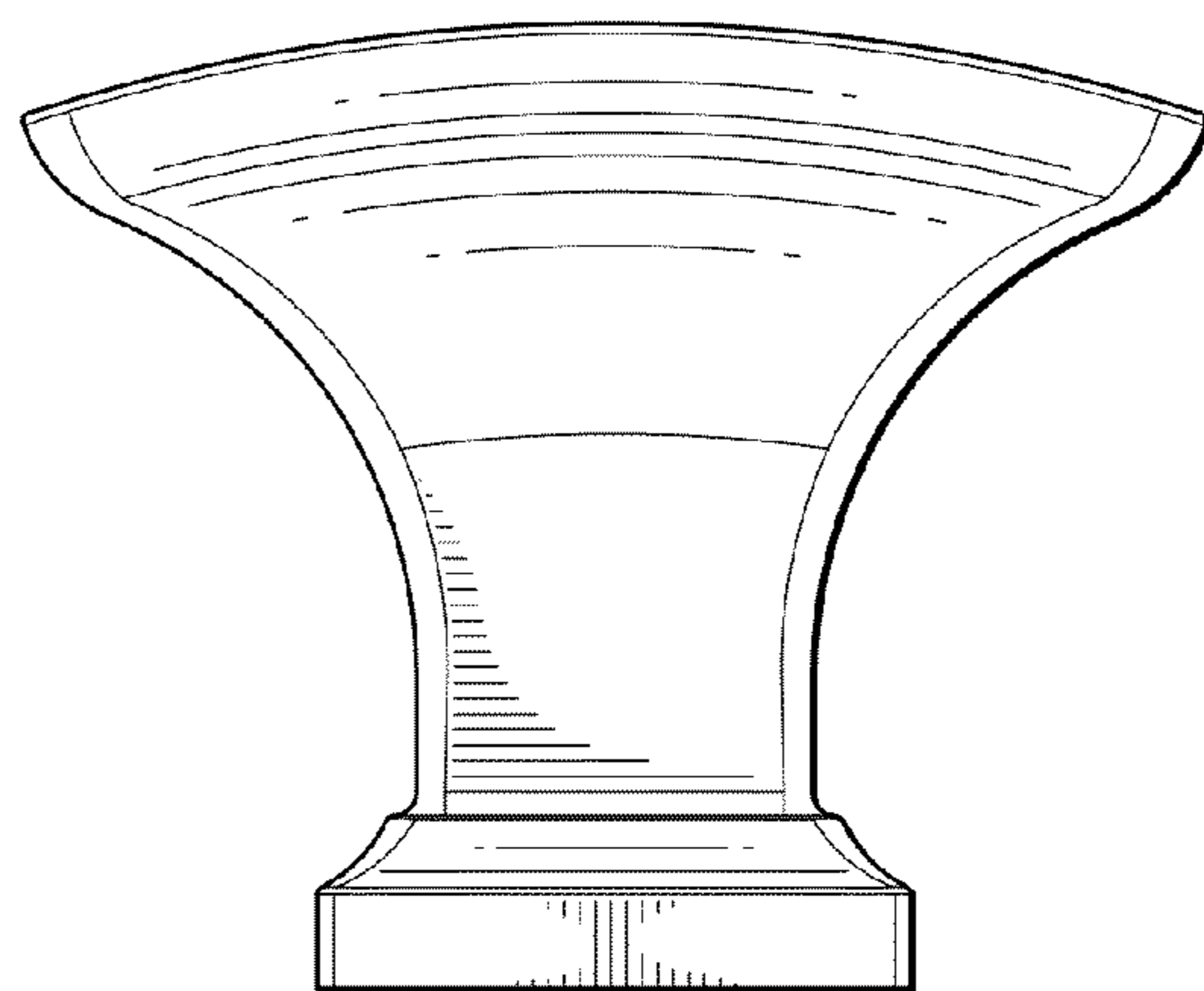


FIG. 2

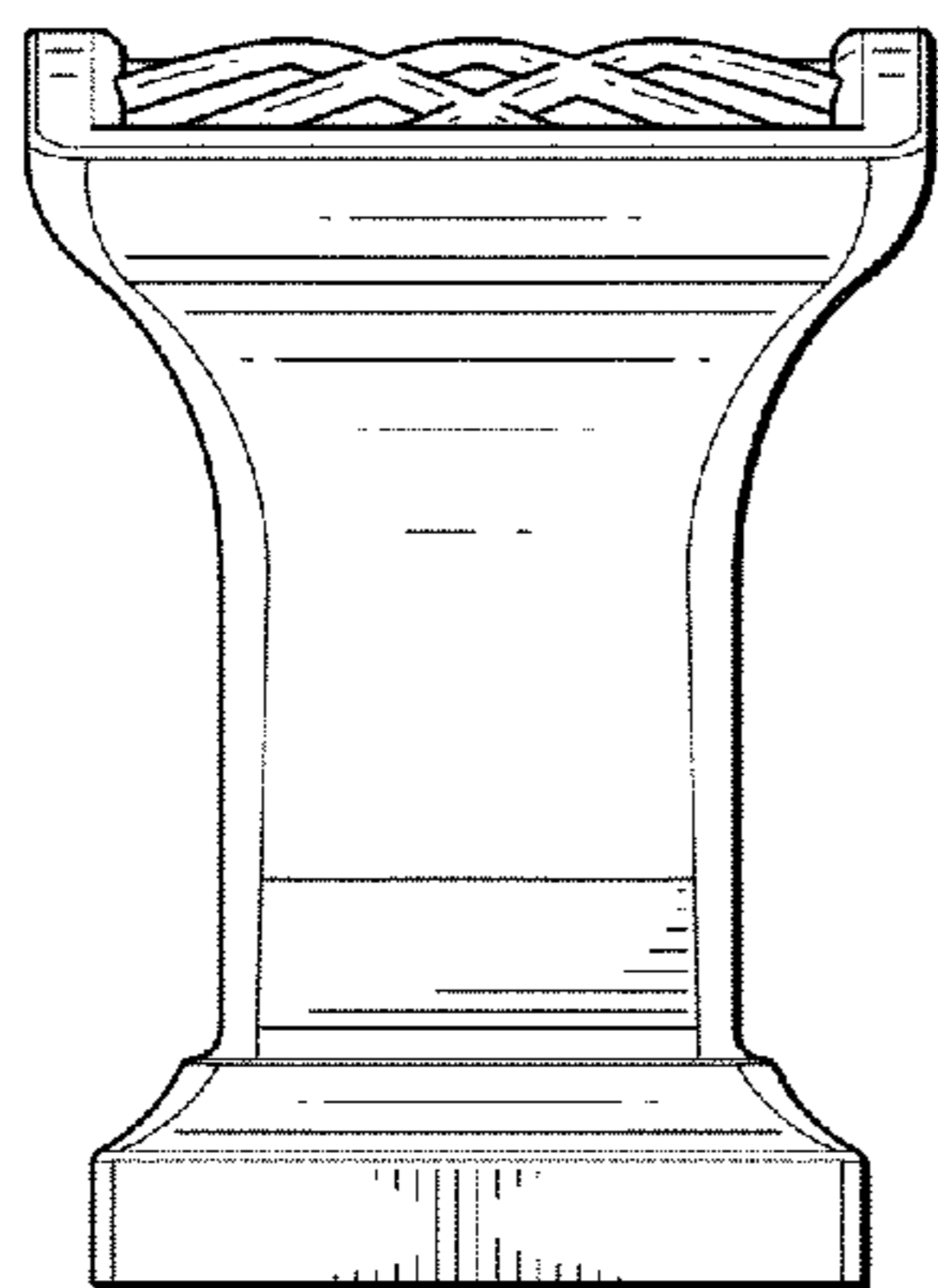


FIG. 3

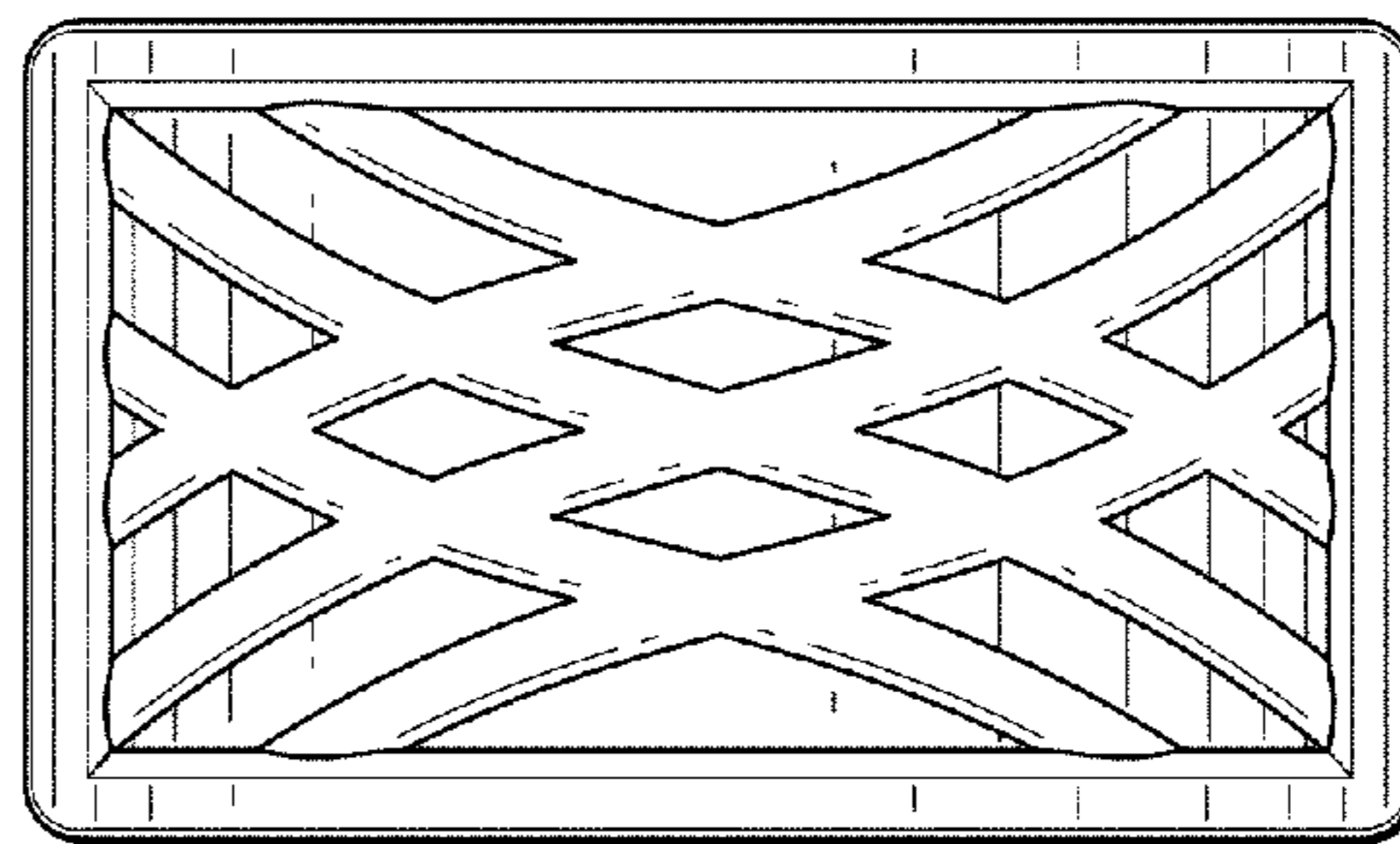


FIG. 4

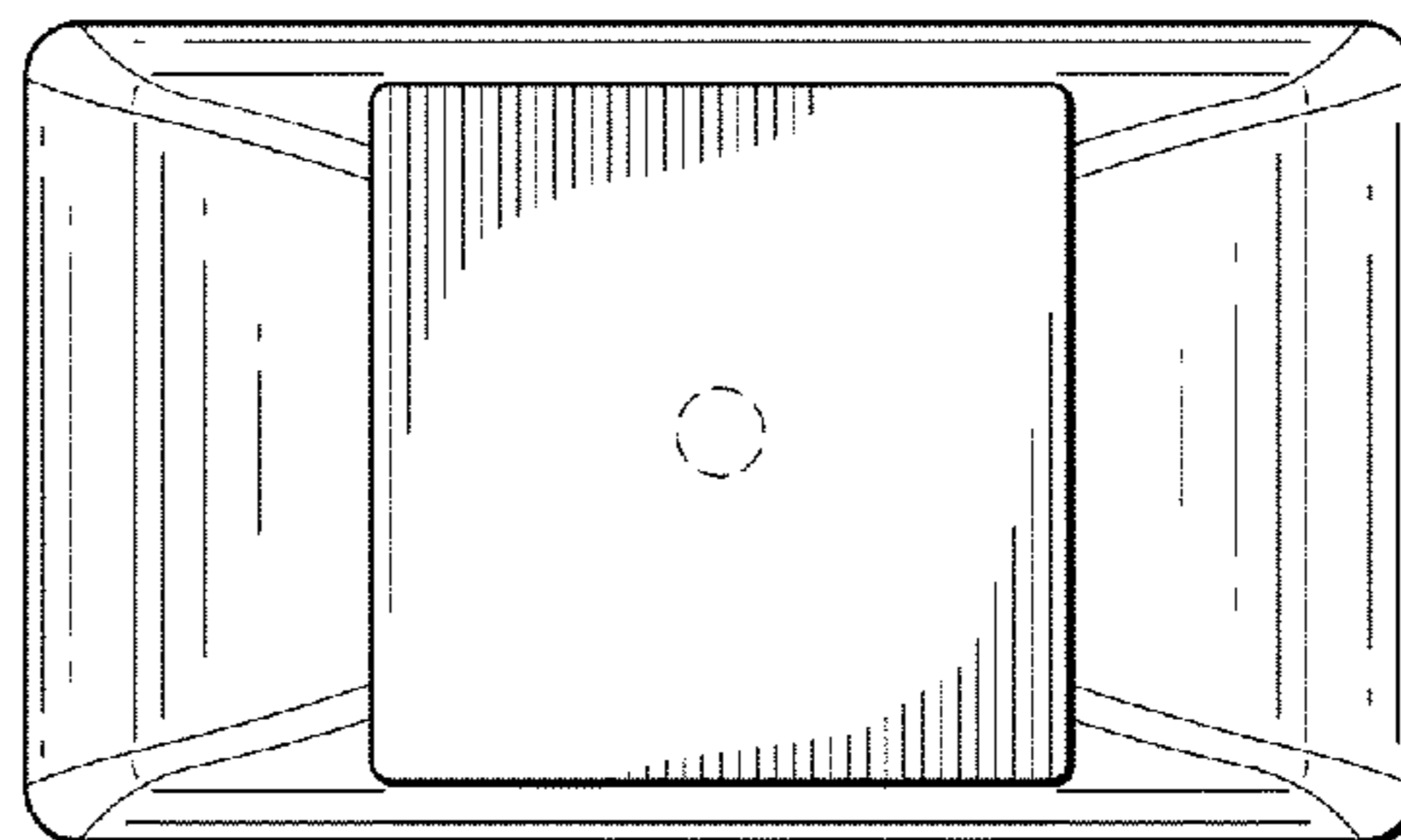


FIG. 5