



US00D722482S

(12) **United States Design Patent**
McLean et al.

(10) **Patent No.:** **US D722,482 S**
(45) **Date of Patent:** **** Feb. 17, 2015**

(54) **SCISSORS**

(71) Applicant: **Buck Knives, Inc.**, Post Falls, ID (US)

(72) Inventors: **Mark A. McLean**, Spokane, WA (US);
Eric P. Linn, Post Falls, ID (US)

(73) Assignee: **Buck Knives, Inc.**, Post Falls, ID (US)

(**) Term: **14 Years**

(21) Appl. No.: **29/472,459**

(22) Filed: **Nov. 12, 2013**

(51) **LOC (10) Cl.** **08-03**

(52) **U.S. Cl.**
USPC **D8/57**

(58) **Field of Classification Search**
CPC B26B 13/00; B26B 13/20; B26B 17/00
USPC D8/4, 5, 51-58, 105, 107; D27/195;
D21/532; 30/131, 195, 229, 194,
30/230-235, 341, 268, 350, 254-258;
D28/44, 57; 7/135, 136; D22/148, 150
See application file for complete search history.

(56) **References Cited**

U.S. PATENT DOCUMENTS

D257,877 S *	1/1981	Patterson	D22/150
4,658,456 A *	4/1987	Tsai	7/135
D310,469 S *	9/1990	Dressler	D8/57
D394,593 S *	5/1998	Komori	D8/57
D419,412 S *	1/2000	Chang	D8/57
D437,197 S *	2/2001	Ohno	D8/57

D460,334 S *	7/2002	Carpenter et al.	D8/57
D523,307 S *	6/2006	Chang	D8/57
D594,723 S *	6/2009	Kim	D8/57

OTHER PUBLICATIONS

Sportco Warehouse Sporting Goods, Buck Knives Splizzors Multi-function Scissors, 2014 Farwest Sports, (online) <<http://www.sportco.com/store/pc/Buck-Knives-Splizzors-Multi-function-Scissors-733p78077.html>>.*

* cited by examiner

Primary Examiner — Deanna L Pratt

Assistant Examiner — Harold Blackwell, II

(74) *Attorney, Agent, or Firm* — Kilpatrick Townsend & Stockton LLP

(57) **CLAIM**

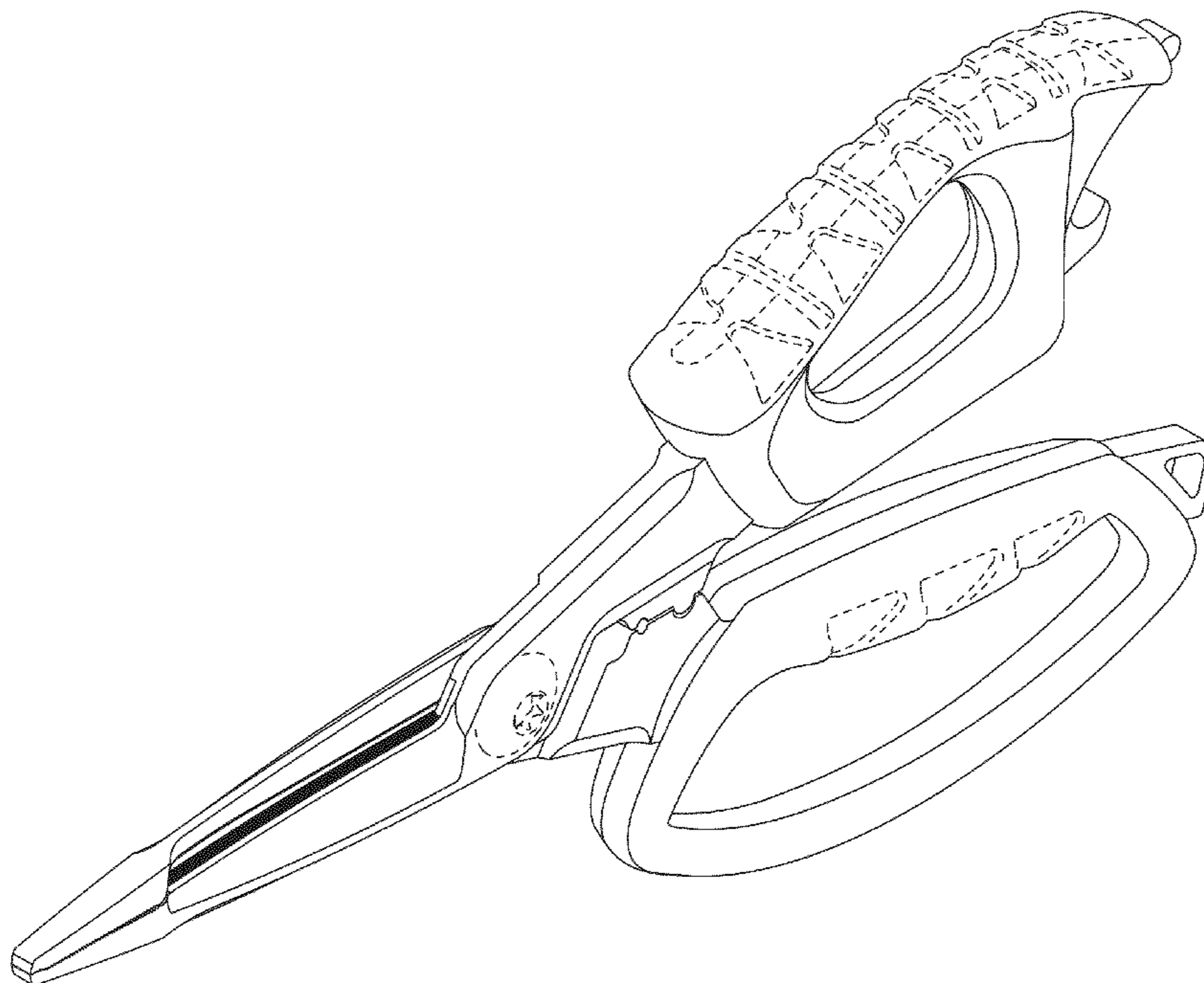
The ornamental design for scissors, as shown and described.

DESCRIPTION

FIG. 1 is a perspective view of a first embodiment of scissors showing our new design;
FIG. 2 is a front elevational view thereof;
FIG. 3 is a rear elevational view thereof;
FIG. 4 is a right side elevational view thereof;
FIG. 5 is a left side elevational view thereof;
FIG. 6 is a top plan view thereof;
FIG. 7 is a bottom plan view thereof; and,
FIG. 8 is a perspective view, showing the scissors in an open configuration.

The broken lines in the drawings illustrate portions of the scissors which form no part of the claimed design.

1 Claim, 8 Drawing Sheets



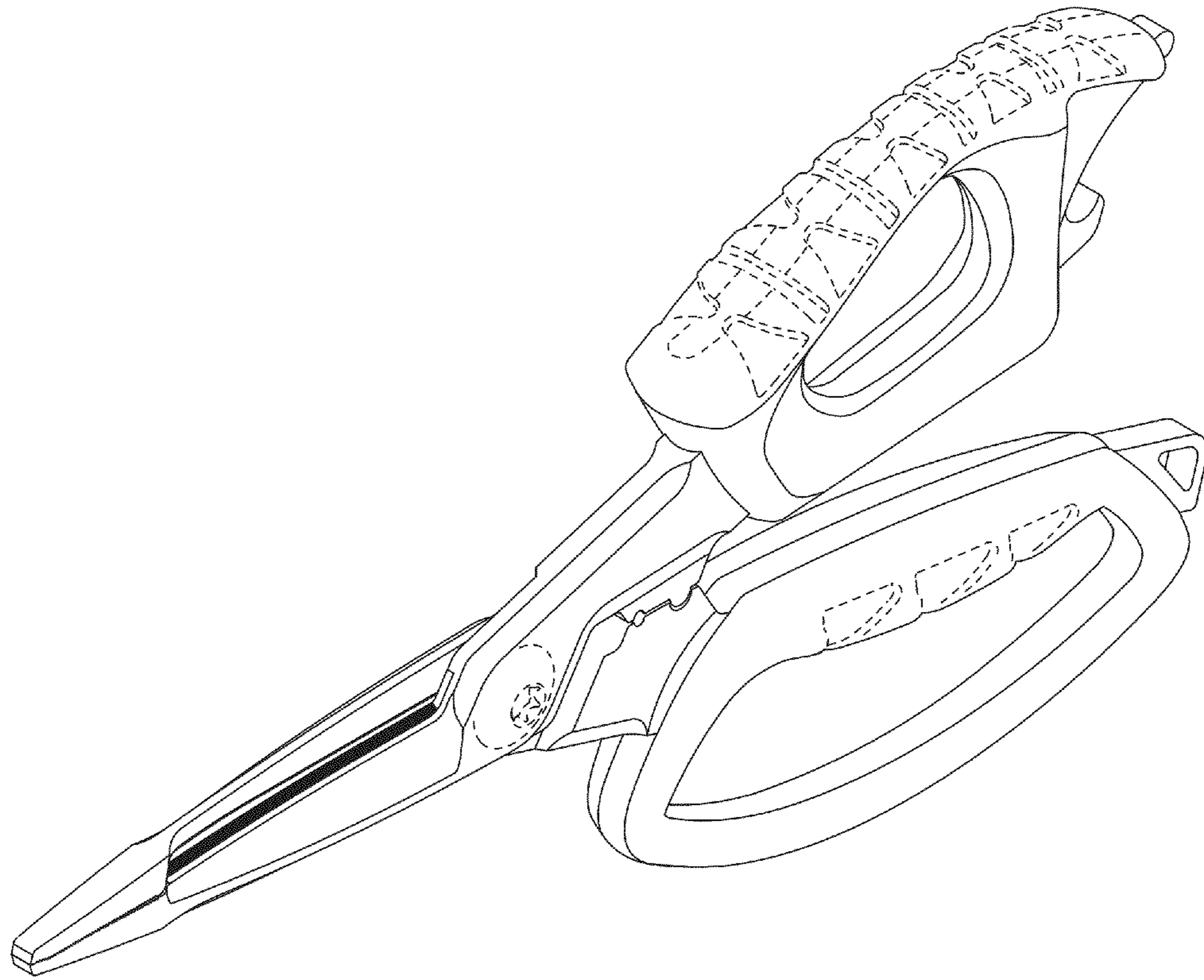


FIG. 1

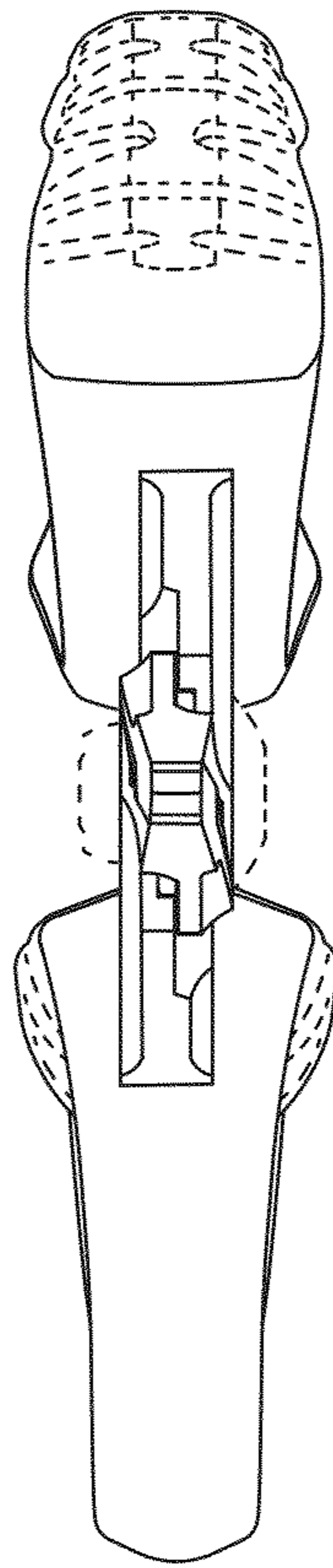


FIG. 2

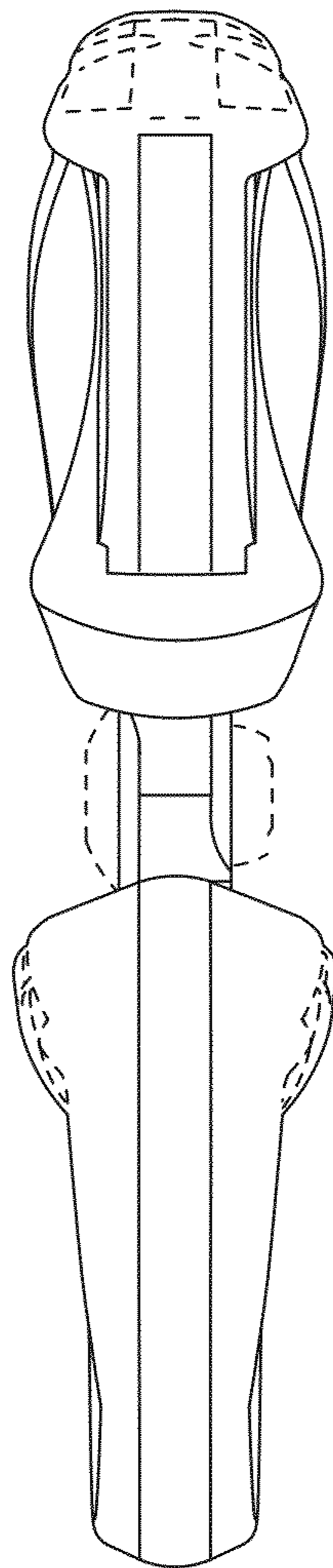


FIG. 3

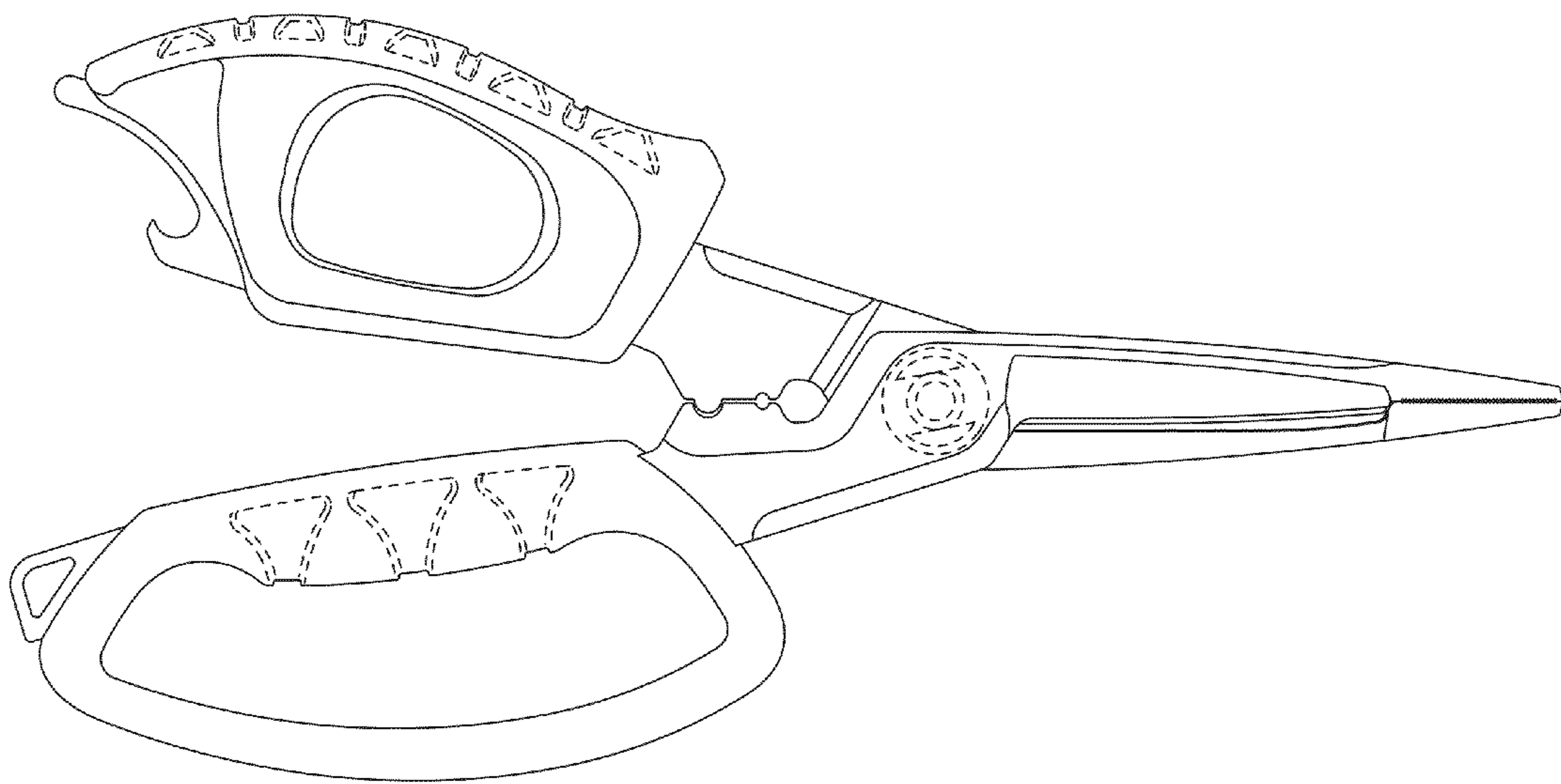


FIG. 4

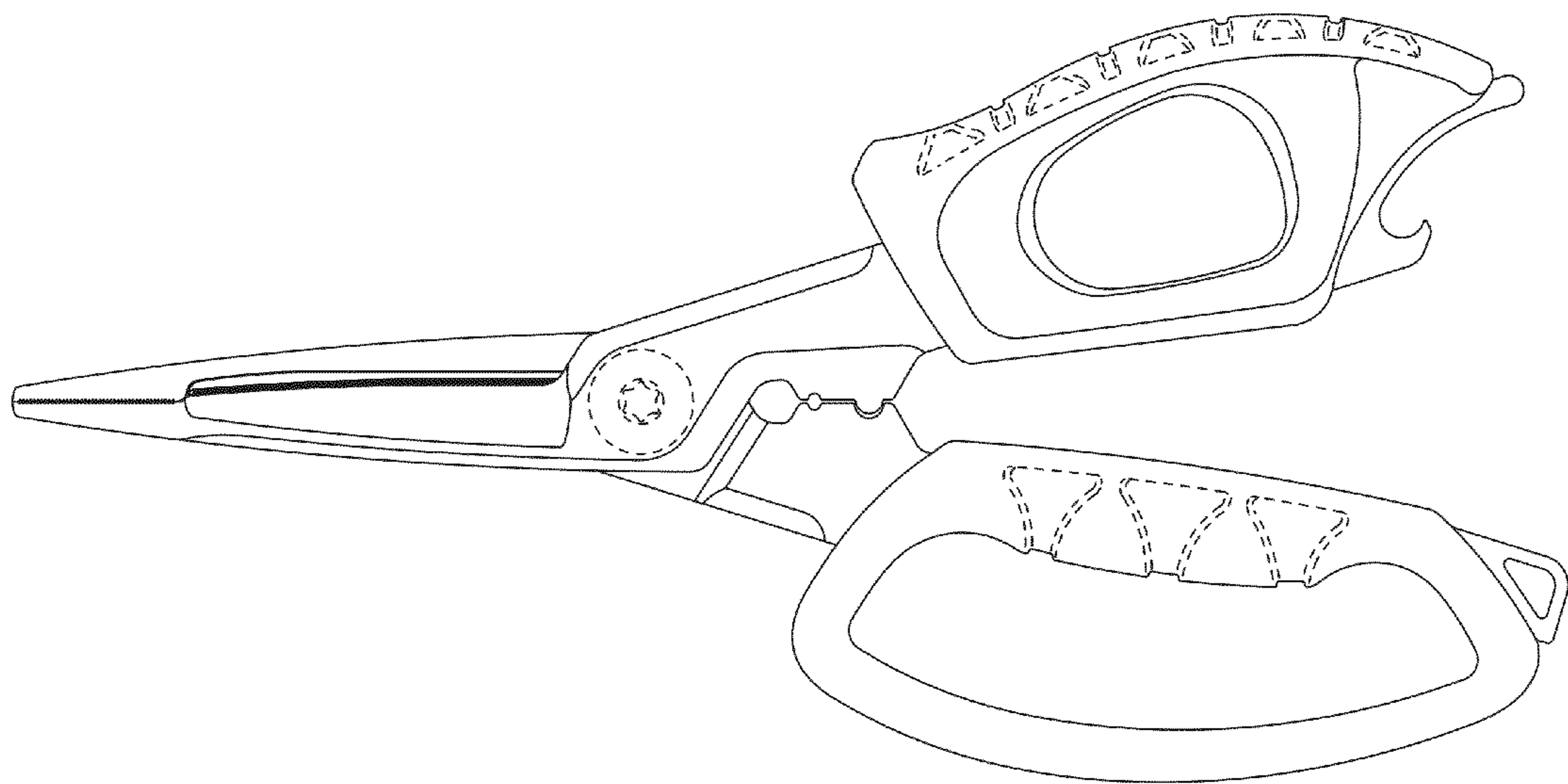


FIG. 5

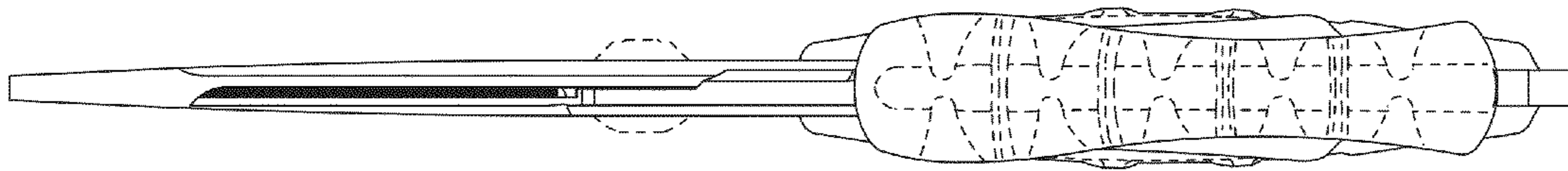


FIG. 6

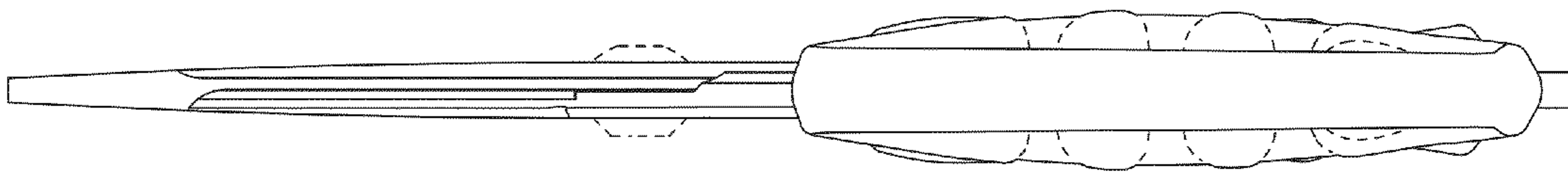


FIG. 7

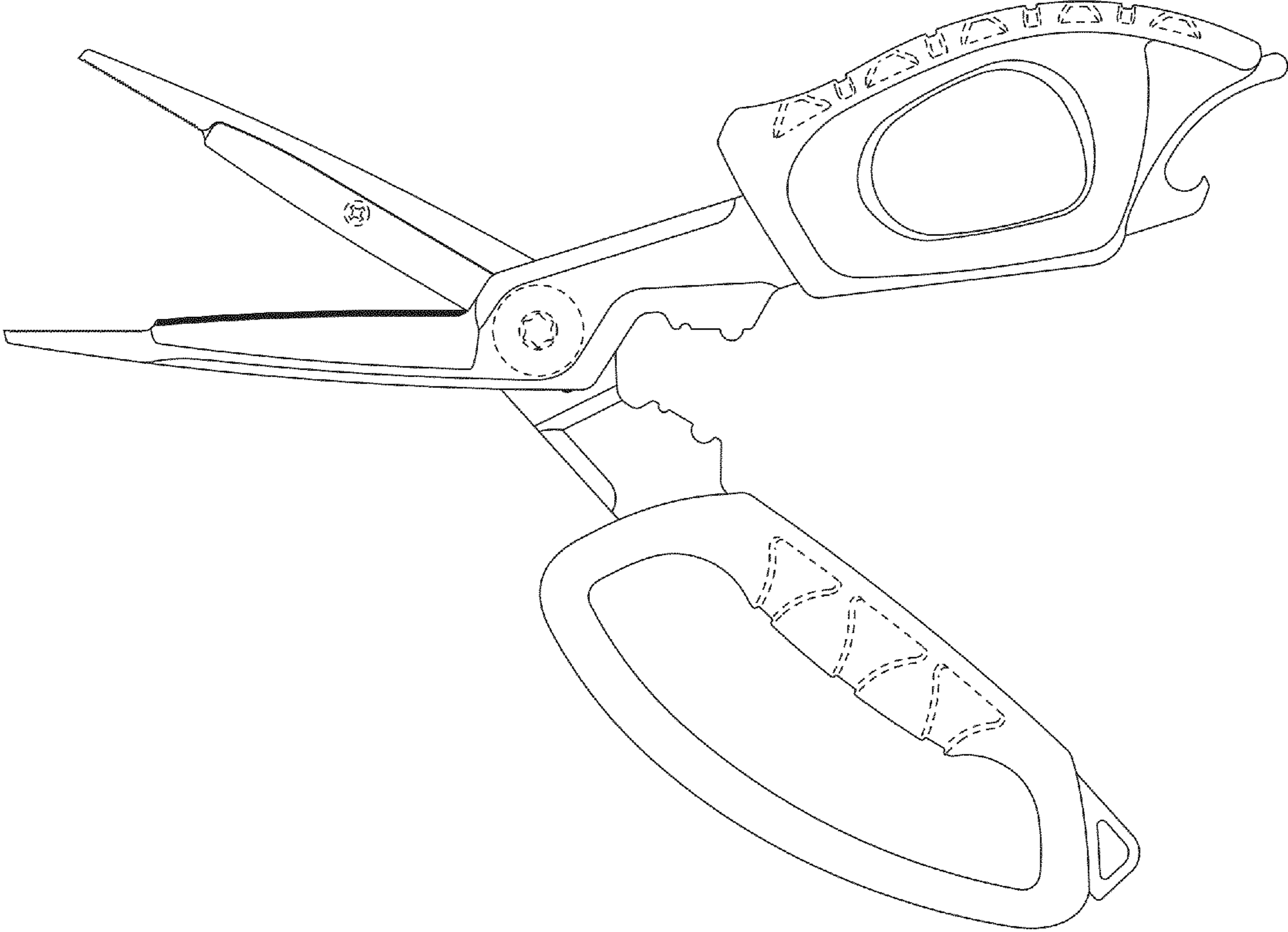


FIG. 8