



US00D722481S

(12) **United States Design Patent**  
**Sansbury**

(10) **Patent No.:** **US D722,481 S**

(45) **Date of Patent:** **\*\* Feb. 17, 2015**

(54) **COMBINED COASTER AND TOOL**

(76) Inventor: **Tristan Sansbury**, Portola Valley, CA  
(US)

(\*\*) Term: **14 Years**

(21) Appl. No.: **29/430,659**

(22) Filed: **Aug. 28, 2012**

(51) **LOC (10) Cl.** ..... **07-99**

(52) **U.S. Cl.**  
USPC ..... **D8/34**

(58) **Field of Classification Search**  
USPC ..... D7/624.1, 624.2, 625, 505, 305, 638,  
D7/643, 624; D8/18, 40, 33, 34, 43, 7, 3,  
D8/81; 248/346.11; 7/171; 215/393  
See application file for complete search history.

(56) **References Cited**

**U.S. PATENT DOCUMENTS**

2,680,931	A *	6/1954	Champion	.....	248/346.11
3,040,472	A *	6/1962	Miller	.....	248/346.11
3,257,092	A *	6/1966	Blundell	.....	248/346.11
D205,370	S *	7/1966	Roeschlaub	.....	D8/18
D248,203	S *	6/1978	Morse	.....	D7/625
4,829,618	A *	5/1989	McKee	.....	7/151
4,858,873	A *	8/1989	Wilmoth et al.	.....	248/346.11
5,000,413	A *	3/1991	Kawashima	.....	248/346.11
D336,205	S *	6/1993	Cooper	.....	D7/624.1
D369,281	S *	4/1996	Cowell	.....	D7/624.1
D401,480	S *	11/1998	Hoggard	.....	D7/624.1
D420,265	S *	2/2000	Pierce	.....	D8/40
6,619,608	B1 *	9/2003	Mulvey et al.	.....	248/346.11
D622,551	S *	8/2010	Bas	.....	D7/624.1
D624,378	S *	9/2010	Wysopal	.....	D8/40
D635,829	S *	4/2011	Morrish et al.	.....	D7/624.1
D654,770	S *	2/2012	Frank et al.	.....	D8/40

\* cited by examiner

*Primary Examiner* — Ian Simmons

*Assistant Examiner* — Eleni Aldridge

(74) *Attorney, Agent, or Firm* — Aka Chan LLP

(57) **CLAIM**

The ornamental design for a combined coaster and tool, as shown and described.

**DESCRIPTION**

FIG. 1 shows a perspective view of a first embodiment of a design for a combined coaster and tool.

FIG. 2 shows a top view of FIG. 1.

FIG. 3 shows a front view of FIG. 1.

FIG. 4 shows a back view of FIG. 1.

FIG. 5 shows a perspective view of a coaster portion of FIG. 1.

FIG. 6 shows a perspective view of a tool portion of FIG. 1.

FIG. 7 shows a top view of a coaster portion of a second embodiment of a design for a combined coaster and tool.

FIG. 8 shows a top view of a tool portion of the second embodiment of a design for a combined coaster and tool.

FIG. 9 shows a front view of the coaster portion.

FIG. 10 shows a right-side view of the tool portion. A left-side view is a mirror image of this figure.

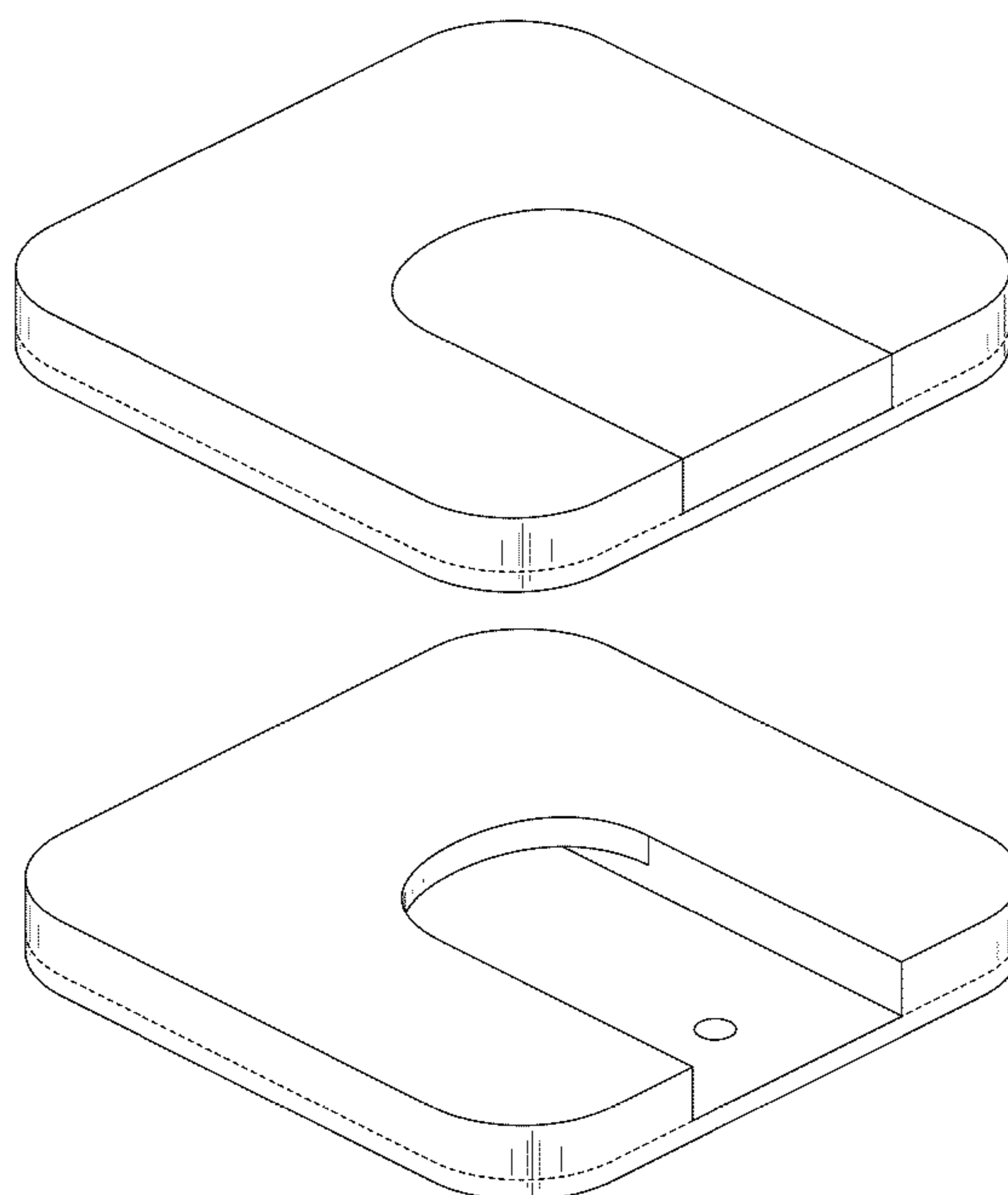
FIG. 11 shows a front view of the tool portion.

FIG. 12 shows a bottom view of the tool portion; and,

FIG. 13 shows a perspective view of the tool portion.

The broken line showing of a circular element in FIGS. 7 and 12 and a top/bottom division of the coaster in FIGS. 1, 3-5, and 9 is included for the purpose of illustrating portions of the article that form no part of the claimed design.

**1 Claim, 9 Drawing Sheets**



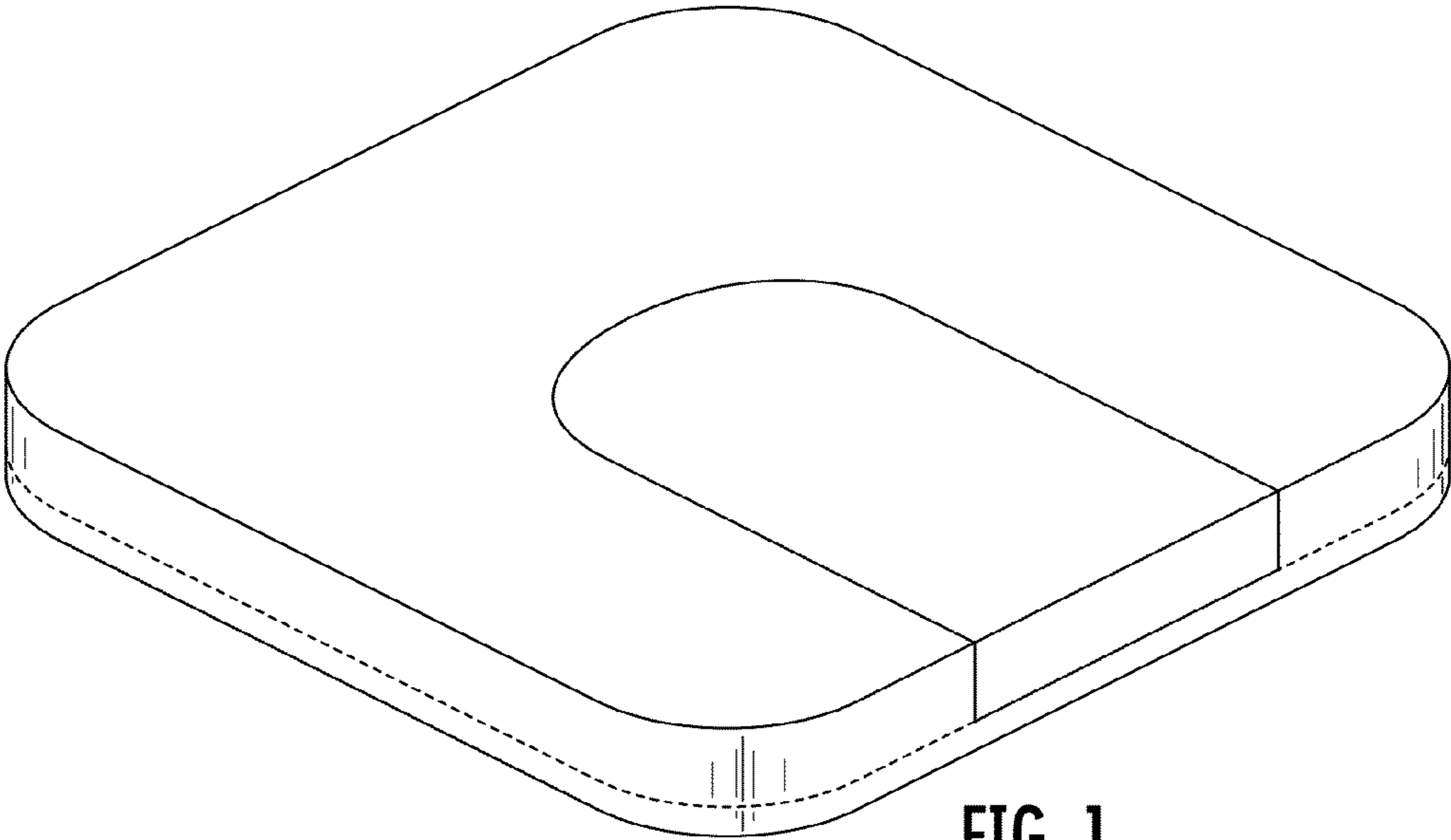
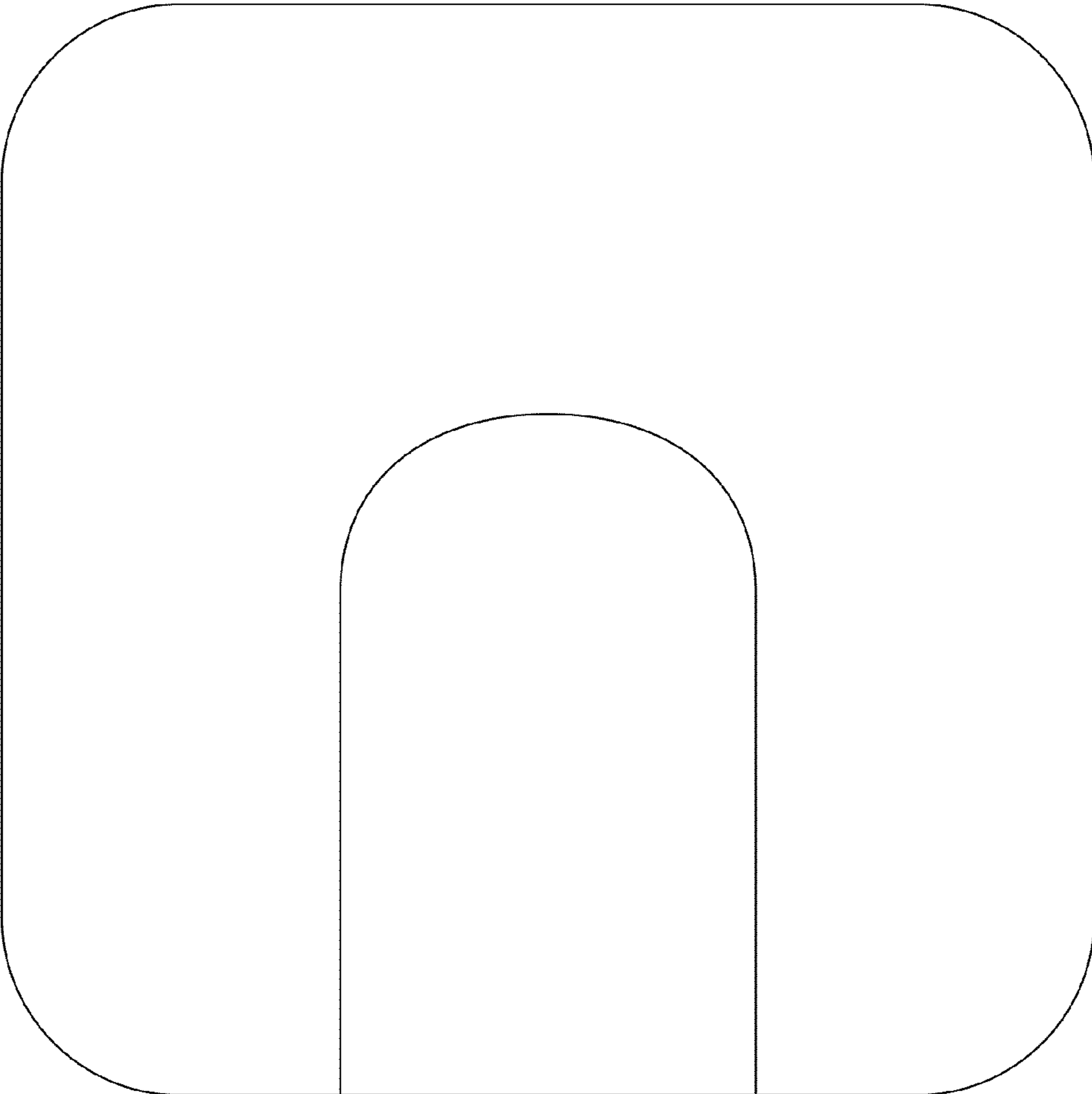


FIG. 1



**FIG. 2**

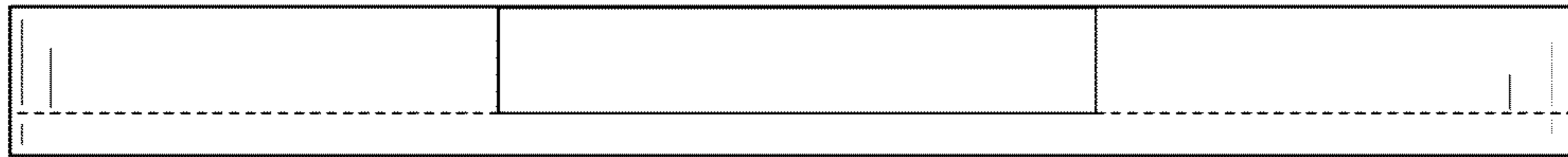


FIG. 3

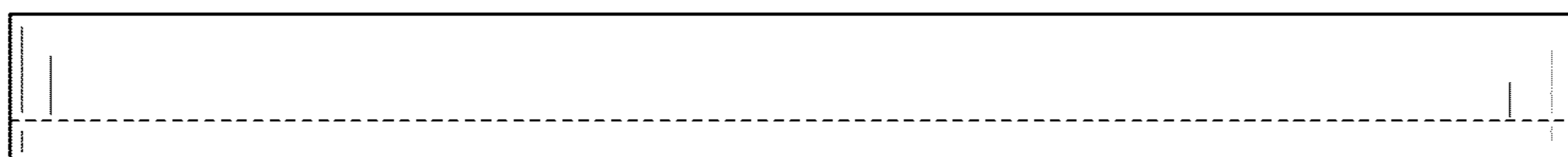
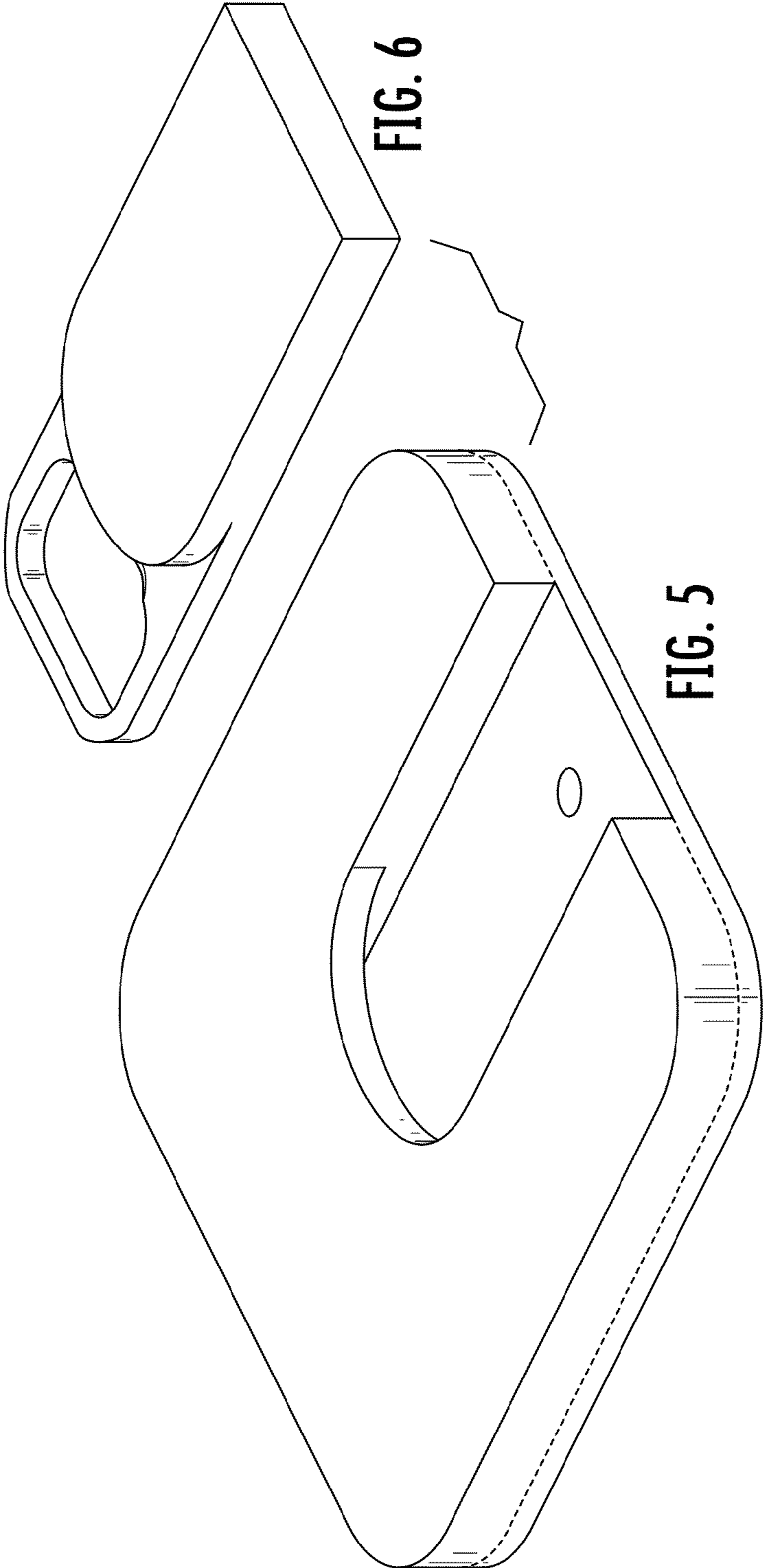


FIG. 4



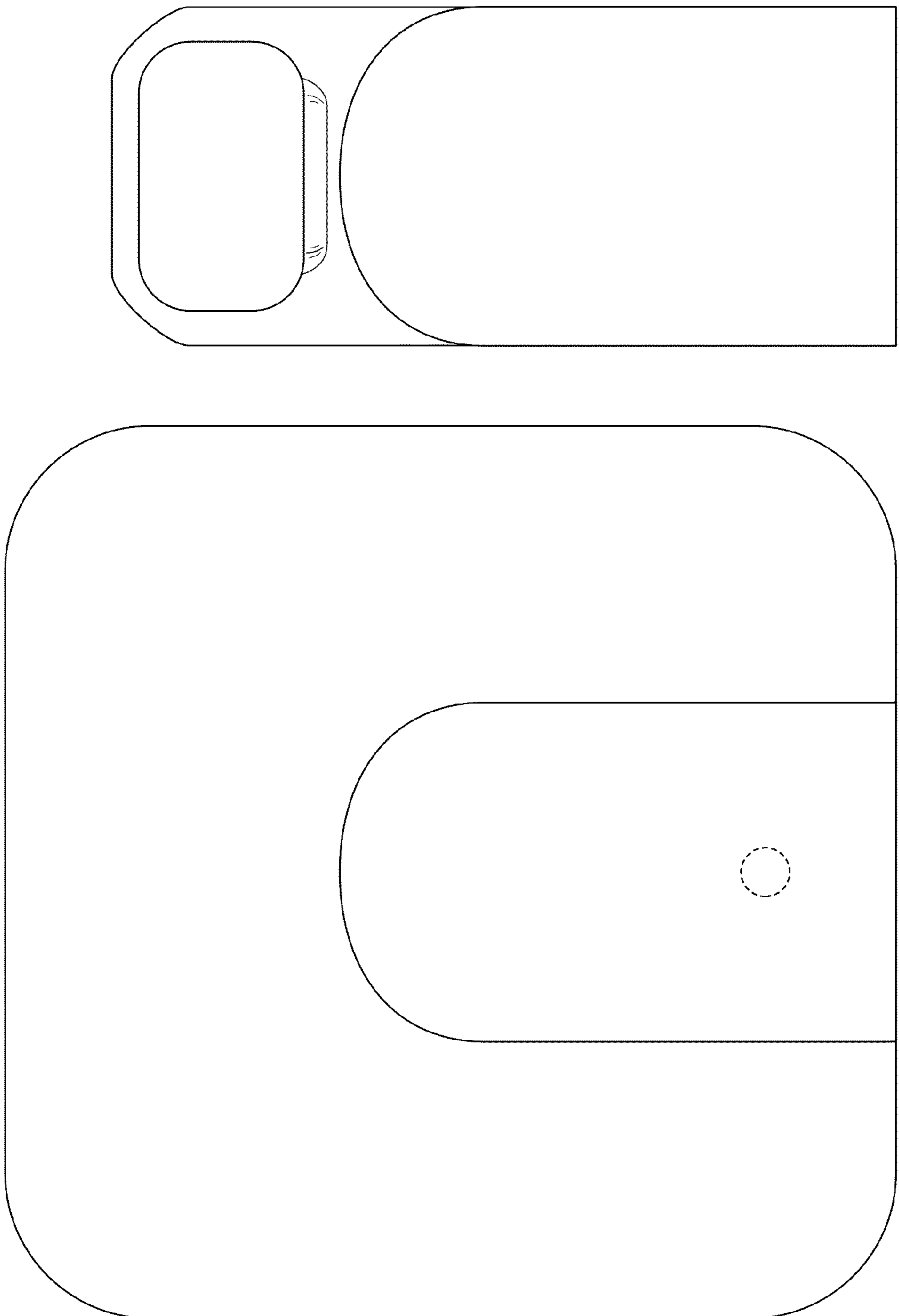


FIG. 8

FIG. 7

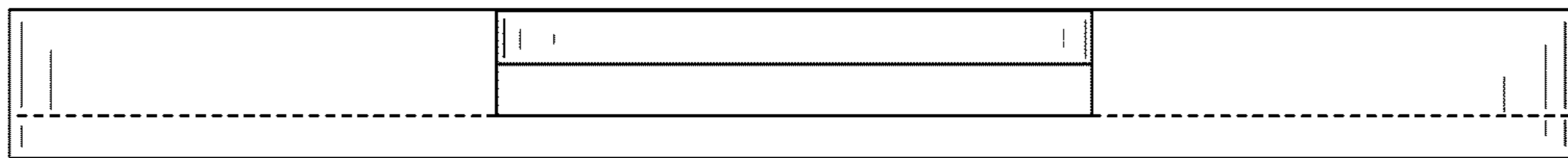


FIG. 9



FIG. 10

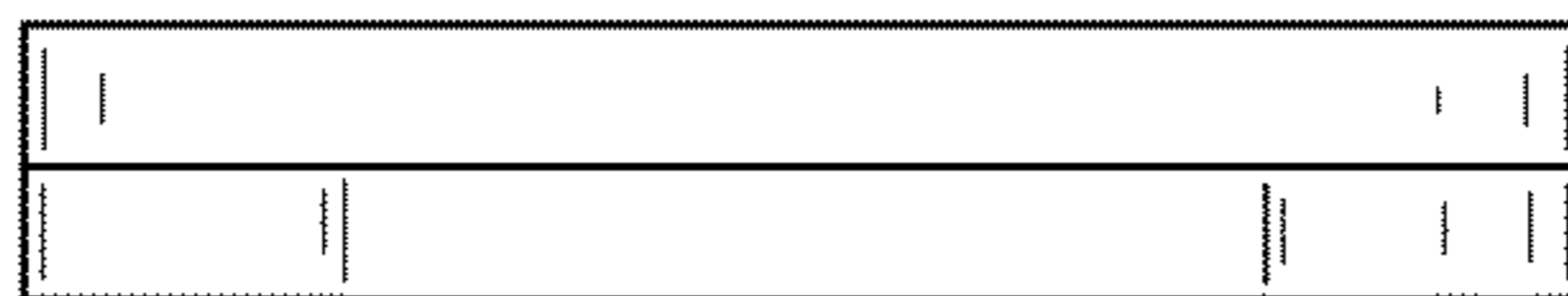


FIG. 11



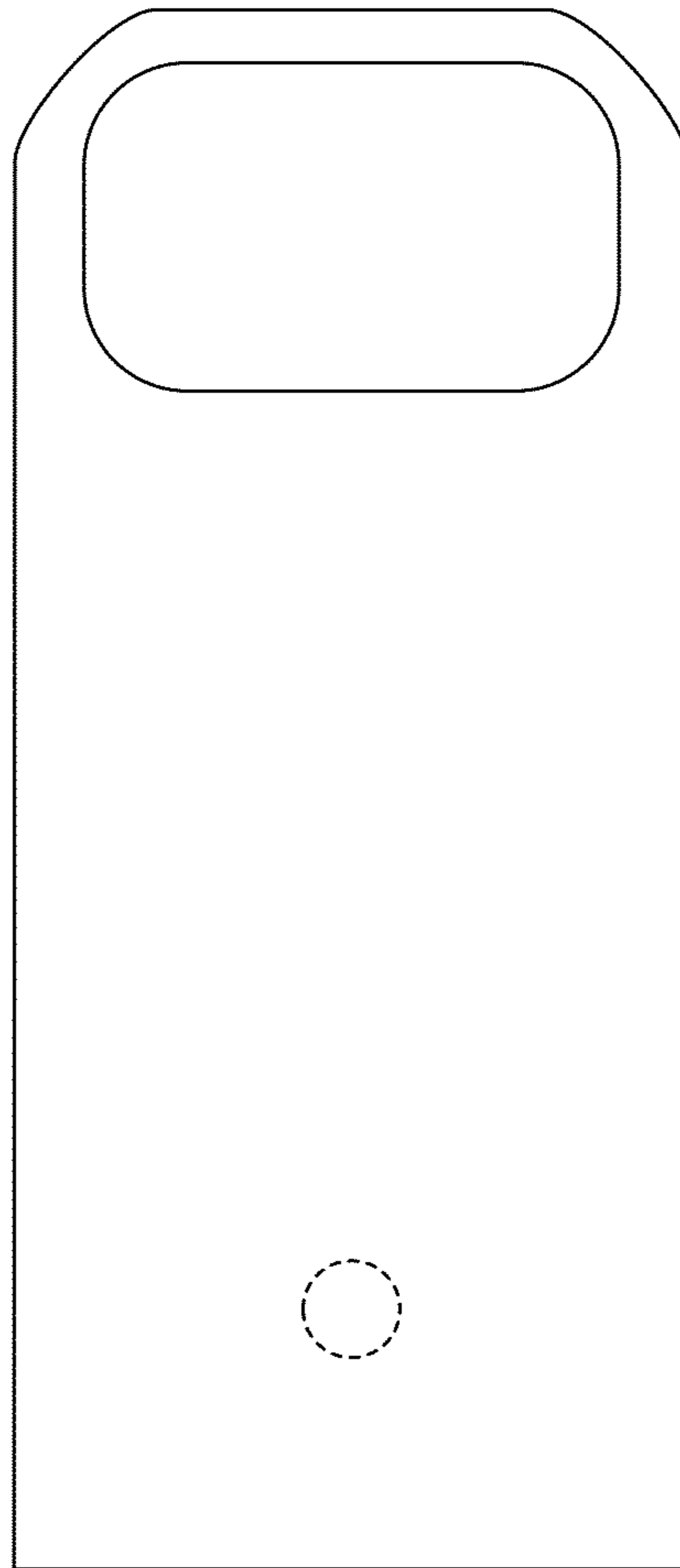


FIG. 12

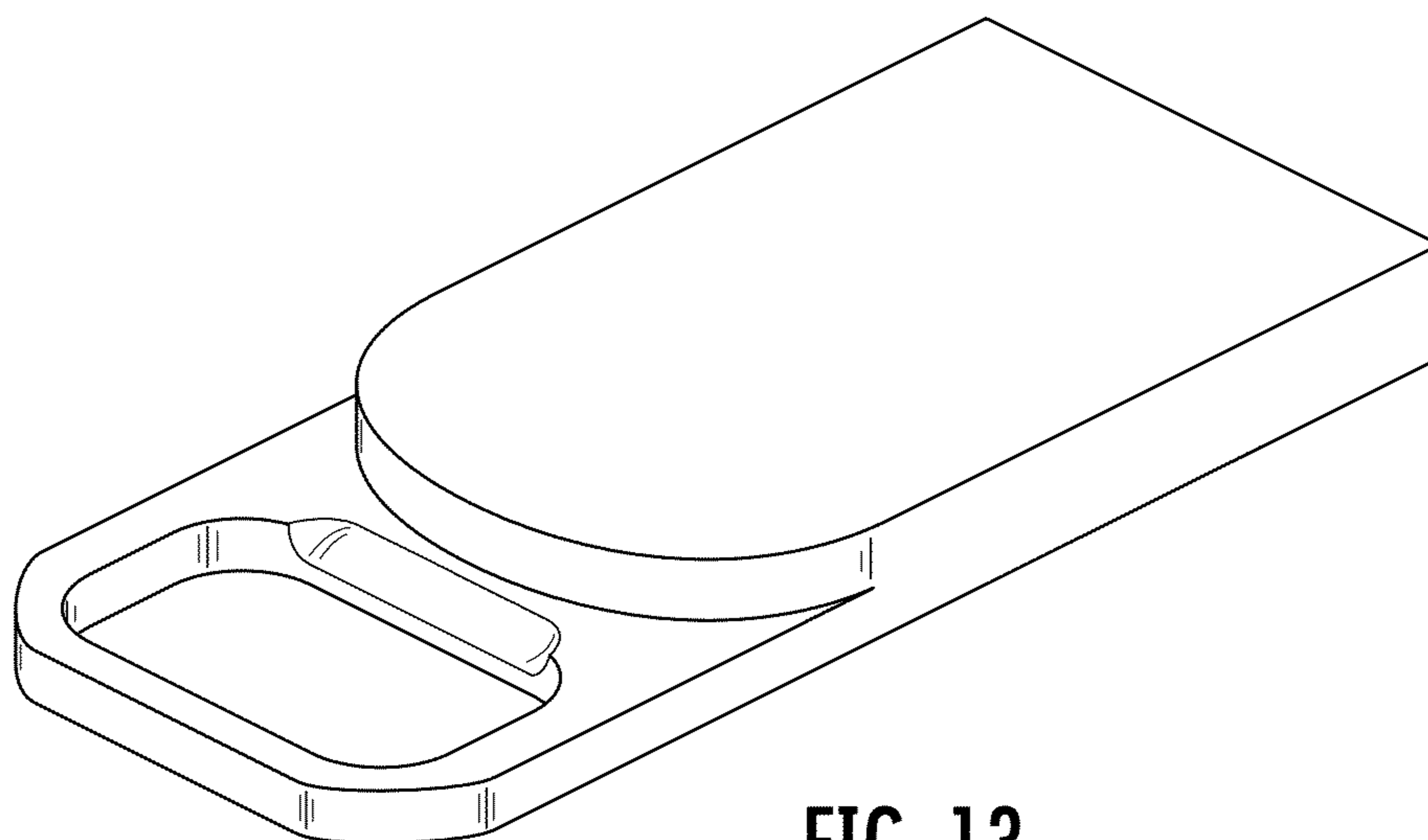


FIG. 13