



US00D722480S

(12) **United States Design Patent**  
**Zhu et al.**

(10) **Patent No.:** **US D722,480 S**

(45) **Date of Patent:** **\*\* Feb. 17, 2015**

(54) **GREASE GUN**

(71) Applicant: **Ingersoll-Rand Company**, Davidson,  
NC (US)

(72) Inventors: **Juanjuan Zhu**, Shanghai (CN); **Xizhi Yang**, Shanghai (CN); **Roger Brandon Davis**, Clinton, NJ (US)

(73) Assignee: **Ingersoll-Rand Company**, Davidson,  
NC (US)

(\*\*) Term: **14 Years**

(21) Appl. No.: **29/449,364**

(22) Filed: **Mar. 15, 2013**

(51) **LOC (10) Cl.** ..... **08-05**

(52) **U.S. Cl.**  
USPC ..... **D8/14.1**

(58) **Field of Classification Search**  
CPC ..... F16N 3/12; B05C 17/0103; G01F 11/022;  
G01F 11/026; B05B 7/2478  
USPC ..... D8/14.1, 29.1, 51, 61, 68; 222/325,  
222/326, 330, 333  
See application file for complete search history.

(56) **References Cited**

U.S. PATENT DOCUMENTS

D409,059	S	*	5/1999	Wilson et al.	.....	D8/14.1
D427,864	S	*	7/2000	Kowalchik et al.	.....	D8/14.1
D510,242	S	*	10/2005	Chen	.....	D8/14.1
D571,177	S		6/2008	Price et al.		
D590,673	S	*	4/2009	Guo	.....	D8/14.1
D592,479	S		5/2009	Price et al.		
7,997,456	B2	*	8/2011	Shew et al.	.....	222/333
D677,136	S		3/2013	Davis		
D703,020	S	*	4/2014	Zhu et al.	.....	D8/68

2006/0060426	A1	*	3/2006	Chen	.....	184/105.2
2006/0108180	A1	*	5/2006	Grach et al.	.....	184/105.2
2008/0017452	A1	*	1/2008	Chen	.....	184/105.2
2011/0284591	A1	*	11/2011	Guo	.....	222/333
2014/0161513	A1	*	6/2014	Chellew et al.	.....	403/322.1

OTHER PUBLICATIONS

Ingersoll Rand IZv20 Cordless Grease Gun Review, announced Jan. 10, 2014, [online], [site visited Jul. 22, 2014]. Available from Internet, <URL: <http://www.coptool.com/ingersoll-rand-iqv20-cordless-grease-gun-lub5130/>>.\*  
Lincoln Industrial Corp., "Hand Held Lubrication—Grease Guns," available at <http://www.lincolnindustrial.com/asp/products/greaseguns.asp>, 4 pages, Jul. 18, 2013.

(Continued)

*Primary Examiner* — George D Kirschbaum

*Assistant Examiner* — Jennifer Watkins

(74) *Attorney, Agent, or Firm* — Barnes & Thornburg LLP

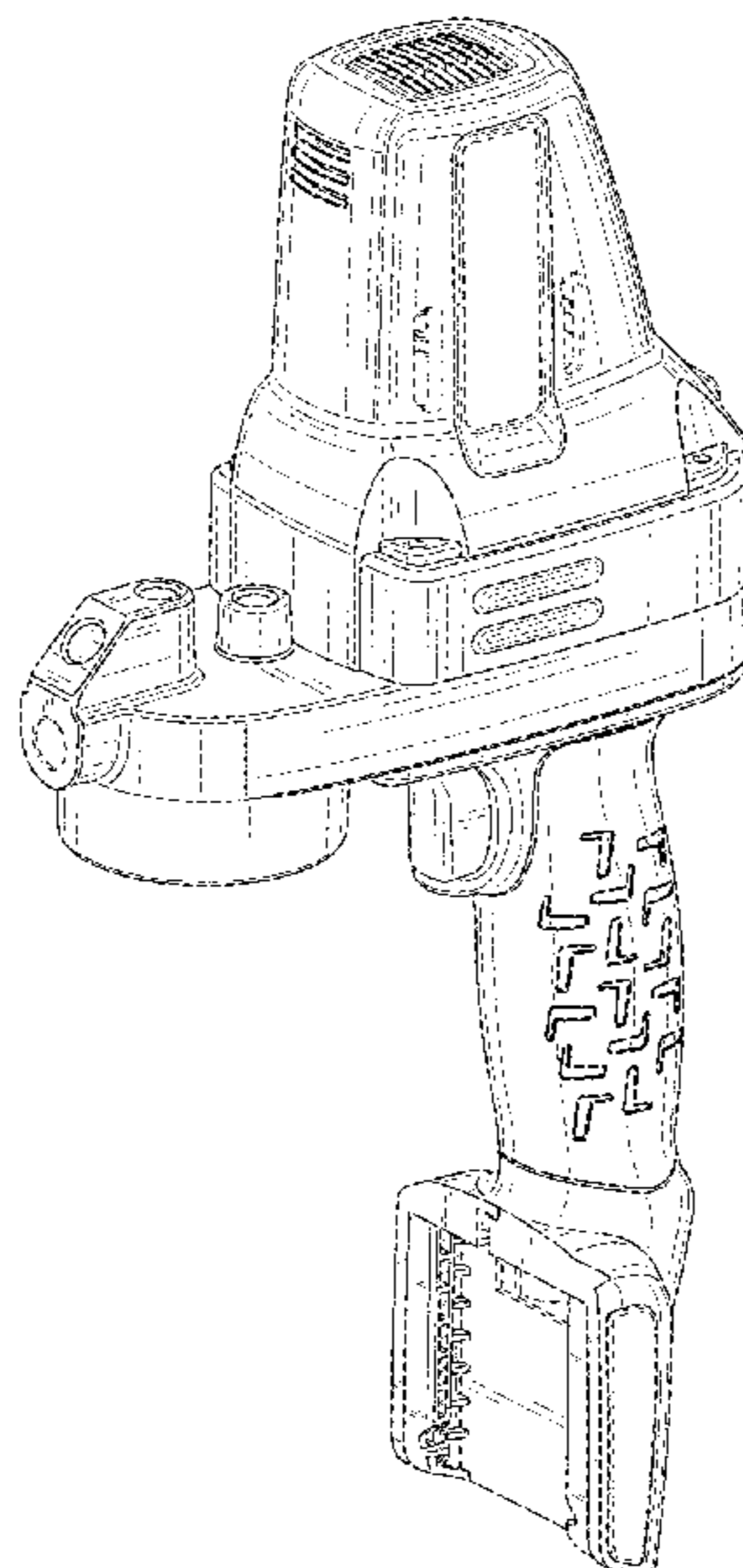
(57) **CLAIM**

The ornamental design for a grease gun, as shown and described.

**DESCRIPTION**

FIG. 1 is a front perspective view of a design of a grease gun; FIG. 2 is a front elevation view of the grease gun of FIG. 1; FIG. 3 is a rear elevation view of the grease gun of FIG. 1; FIG. 4 is a first side elevation view of the grease gun of FIG. 1; FIG. 5 is a second side elevation view of the grease gun of FIG. 1; FIG. 6 is a top plan view of the grease gun of FIG. 1; and, FIG. 7 is a bottom plan view of the grease gun of FIG. 1. The broken lines shown in the figures are for the purpose of illustrating portions of the grease gun that form no part of the claimed design.

**1 Claim, 7 Drawing Sheets**



(56)

**References Cited**

OTHER PUBLICATIONS

Alemite, "Battery Powered Grease Guns," available at [http://www.alemite.com/catalog/details.aspx?identifier=guns\\_cordless](http://www.alemite.com/catalog/details.aspx?identifier=guns_cordless), 3 pages, Jul. 18, 2013.

Yangzhou Hongrun Electrics Co., "18V Cordless Grease Gun," available at [http://zfcaosales.en.ec21.com/18V\\_Cordless\\_Grease\\_Gun--1321386\\_1720348.html](http://zfcaosales.en.ec21.com/18V_Cordless_Grease_Gun--1321386_1720348.html), 2 pages, Jul. 18, 2013.

\* cited by examiner

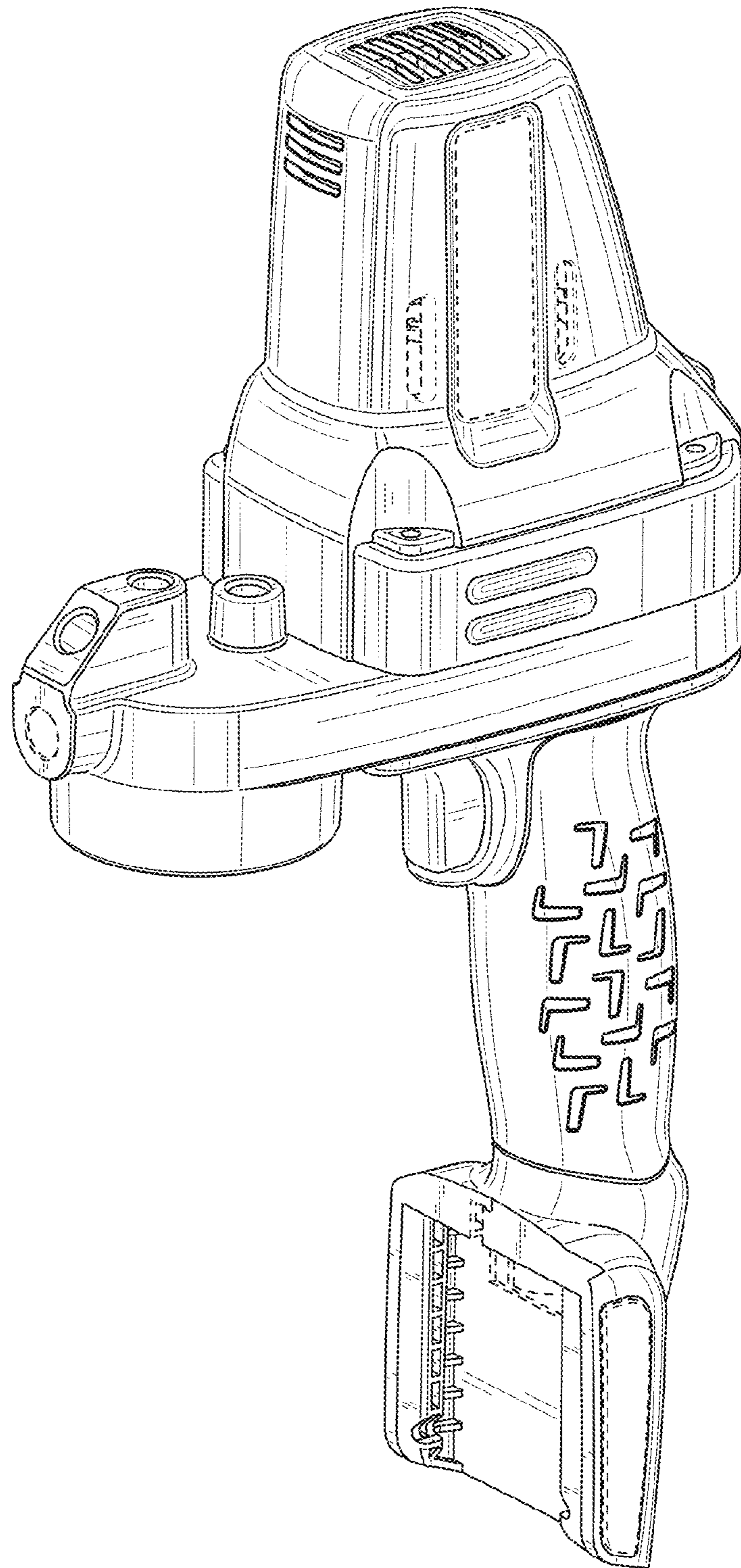


FIG. 1

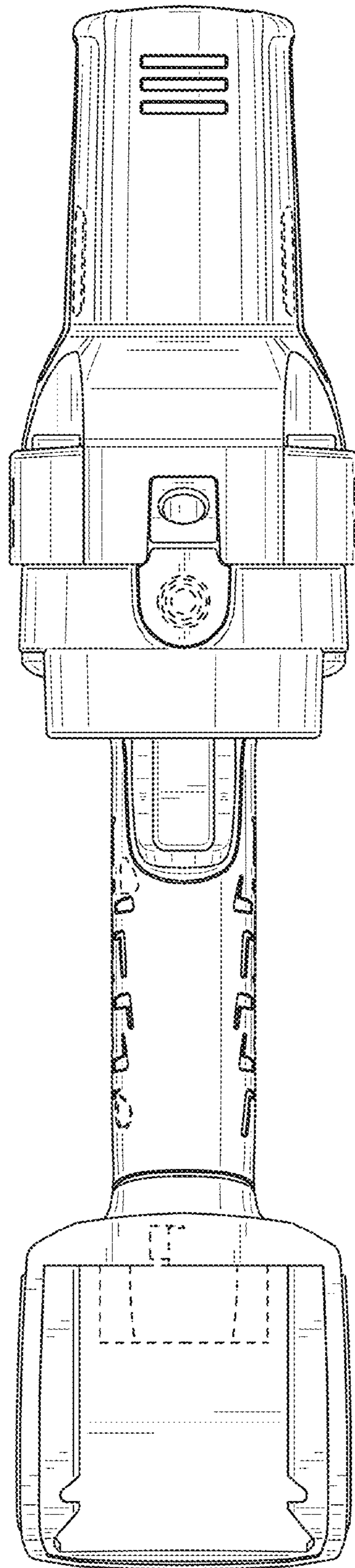


FIG. 2

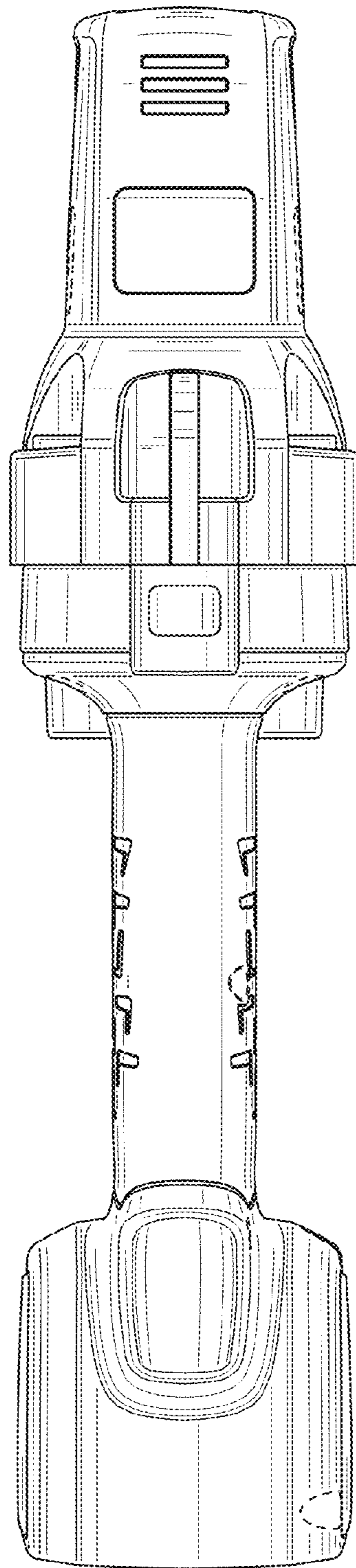


FIG. 3

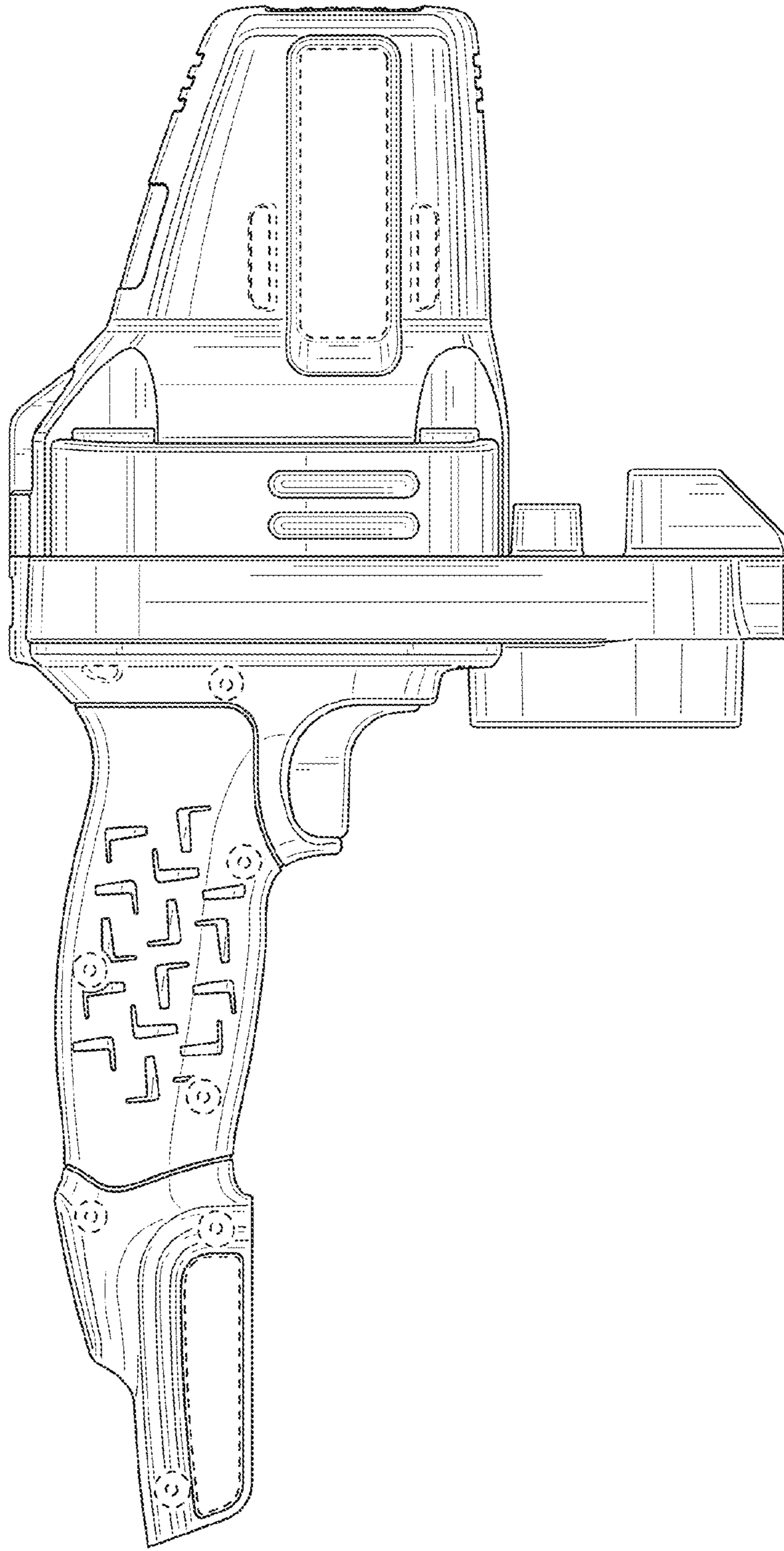


FIG. 4

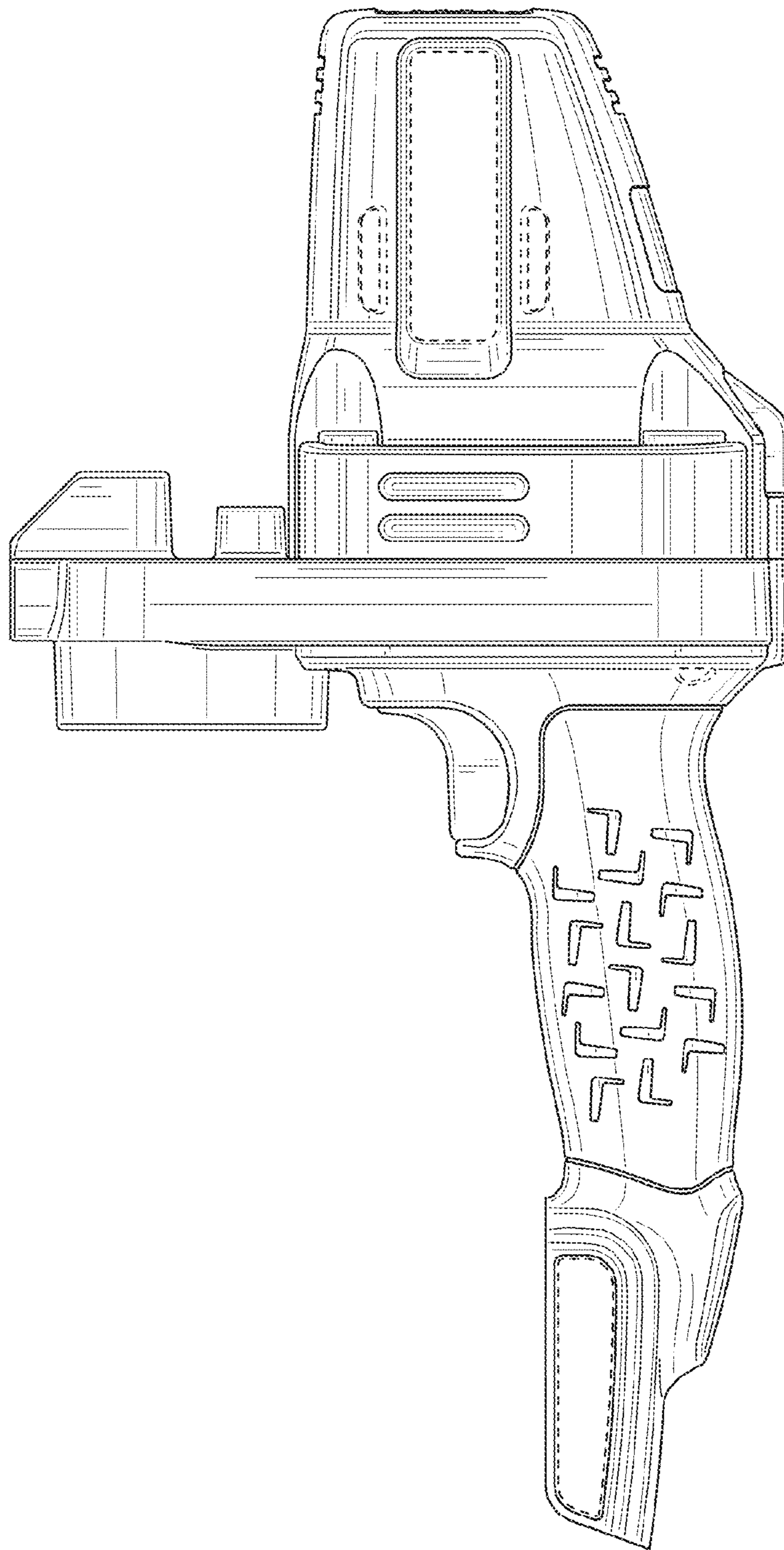


FIG. 5

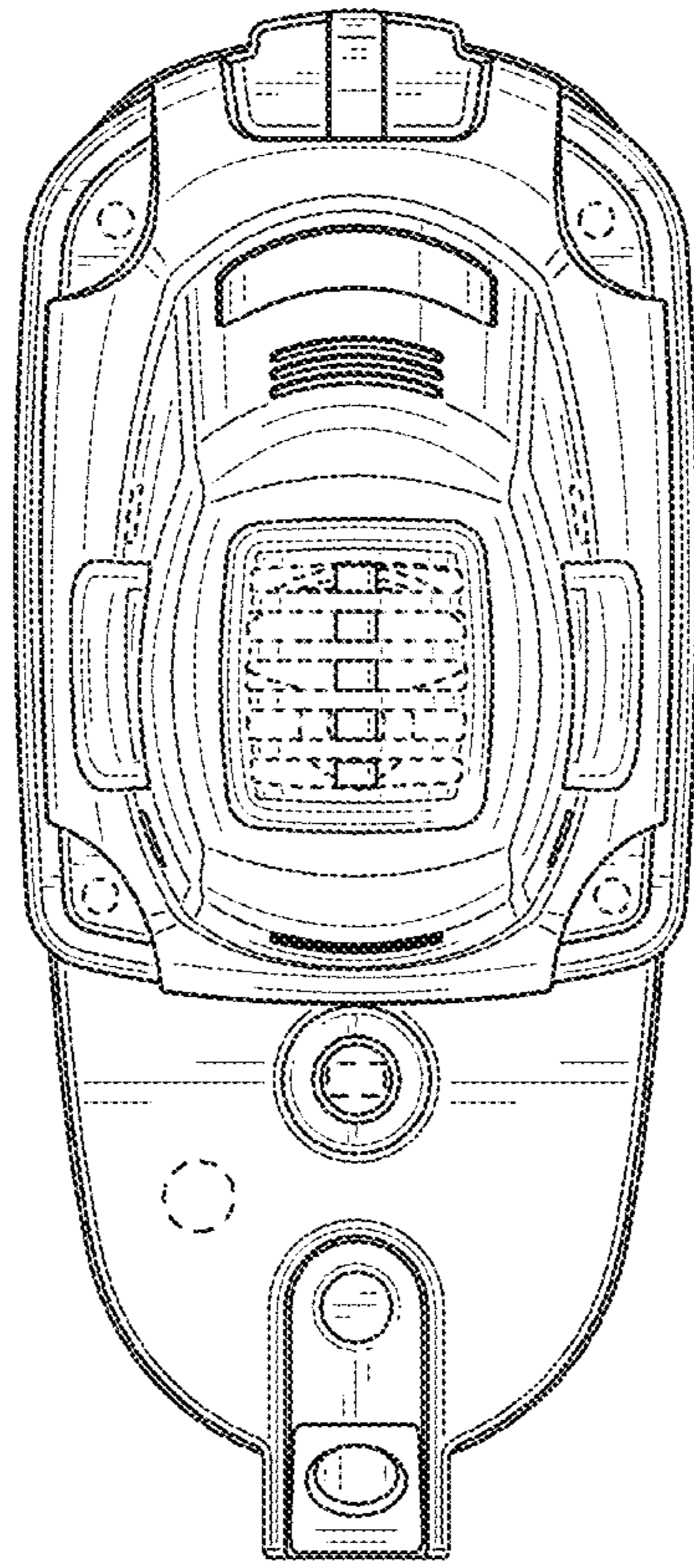


FIG. 6



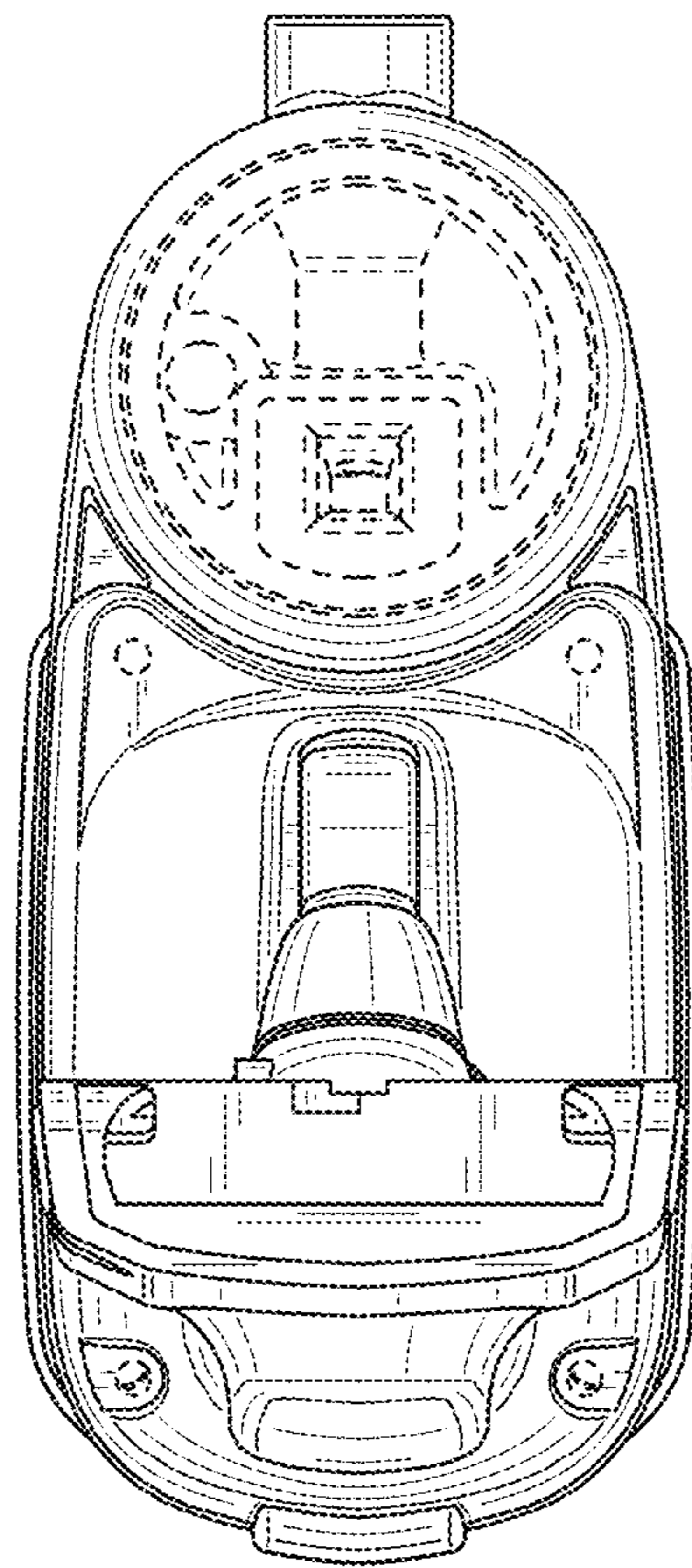


FIG. 7