



US00D722477S

(12) **United States Design Patent**
Malin

(10) **Patent No.:** **US D722,477 S**

(45) **Date of Patent:** **** Feb. 17, 2015**

(54) **TOASTER UTENSIL**

(76) Inventor: **Leo Malin**, Newton, NJ (US)

(**) Term: **14 Years**

(21) Appl. No.: **29/425,106**

(22) Filed: **Jun. 20, 2012**

(51) **LOC (10) Cl.** **07-06**

(52) **U.S. Cl.**
USPC **D7/686**

(58) **Field of Classification Search**
USPC D7/686, 683, 669; 294/99.2, 3, 26, 5, 8,
294/33, 902, 25, 16; 99/324, 352
See application file for complete search history.

D518,687 S *	4/2006	Baker et al.	D7/686
D539,615 S	4/2007	Weaver	
7,216,910 B2	5/2007	Frauscher	
7,287,791 B2	10/2007	Carolina	
D581,227 S *	11/2008	Pinkston et al.	D7/686
D586,629 S *	2/2009	Reynolds	D7/686
D589,763 S *	4/2009	Rezig	D7/686
D606,814 S	12/2009	Mineo	
8,038,187 B2	10/2011	Resnick	

* cited by examiner

Primary Examiner — Brandon M Rosati

(74) *Attorney, Agent, or Firm* — Benjamin Appelbaum

(57) **CLAIM**

The ornamental design for a toaster utensil, as shown and described.

(56) **References Cited**

U.S. PATENT DOCUMENTS

3,934,915 A *	1/1976	Humpa	294/99.2
3,957,298 A	5/1976	Purchase	
D266,640 S *	10/1982	Trombly	D7/686
D284,440 S *	7/1986	Zieff	D7/686
4,728,139 A	3/1988	Oretti	
4,802,704 A	2/1989	Burns	
5,901,993 A	5/1999	Lowery et al.	
5,979,960 A	11/1999	Osmar	
6,375,237 B1	4/2002	Koenig	
6,494,517 B1	12/2002	Durant	
D505,599 S *	5/2005	Fiedeler et al.	D7/686

DESCRIPTION

FIG. 1 is a front perspective view of the toaster utensil showing my new design.

FIG. 2 is a front view thereof;

FIG. 3 is an enlarged right side view thereof, the undisclosed left side view being a mirror image;

FIG. 4 is an enlarged top plan view thereof;

FIG. 5 is an enlarged bottom plan view thereof; and,

FIG. 6 is a rear view of FIG. 1.

1 Claim, 6 Drawing Sheets

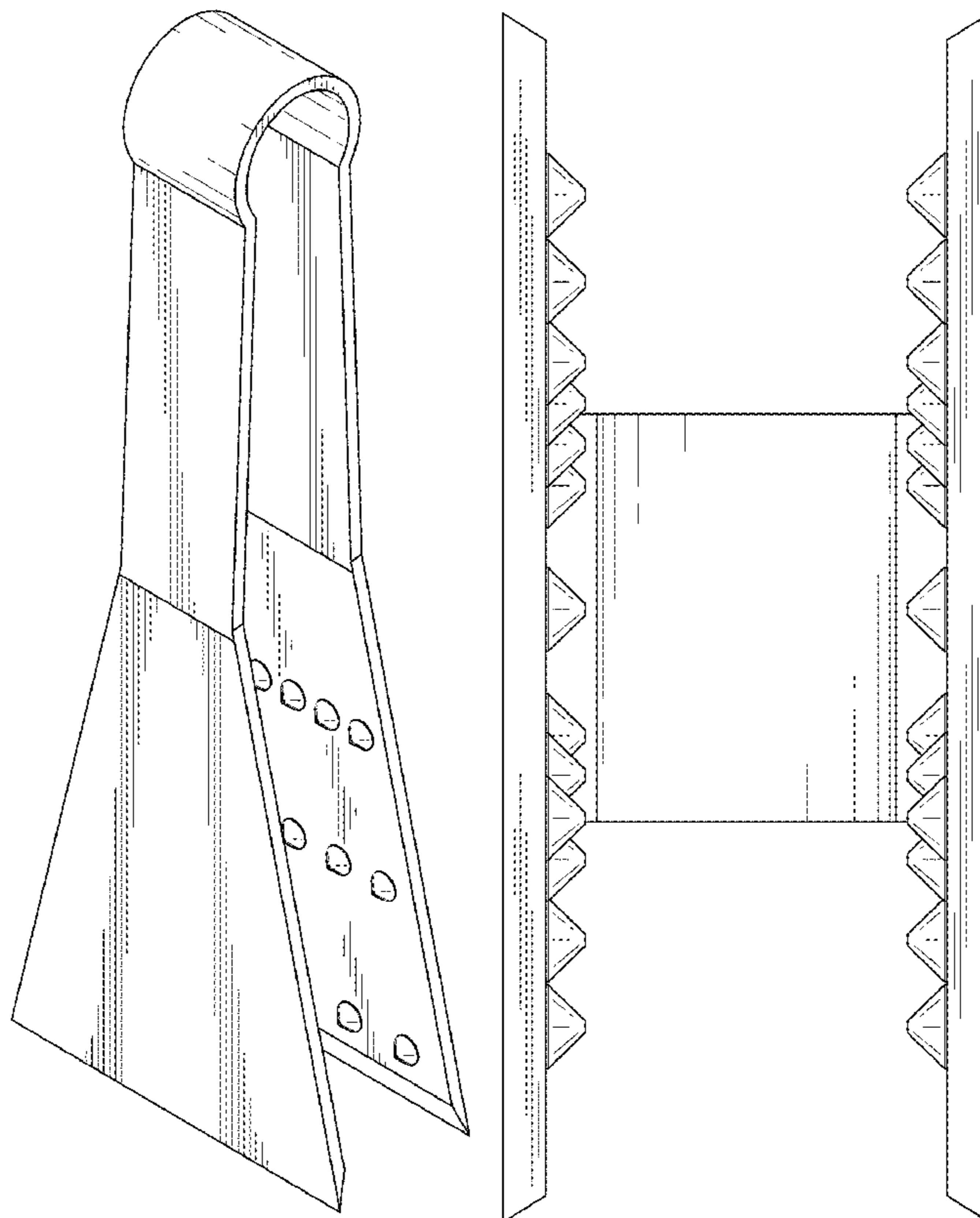


FIG. 1

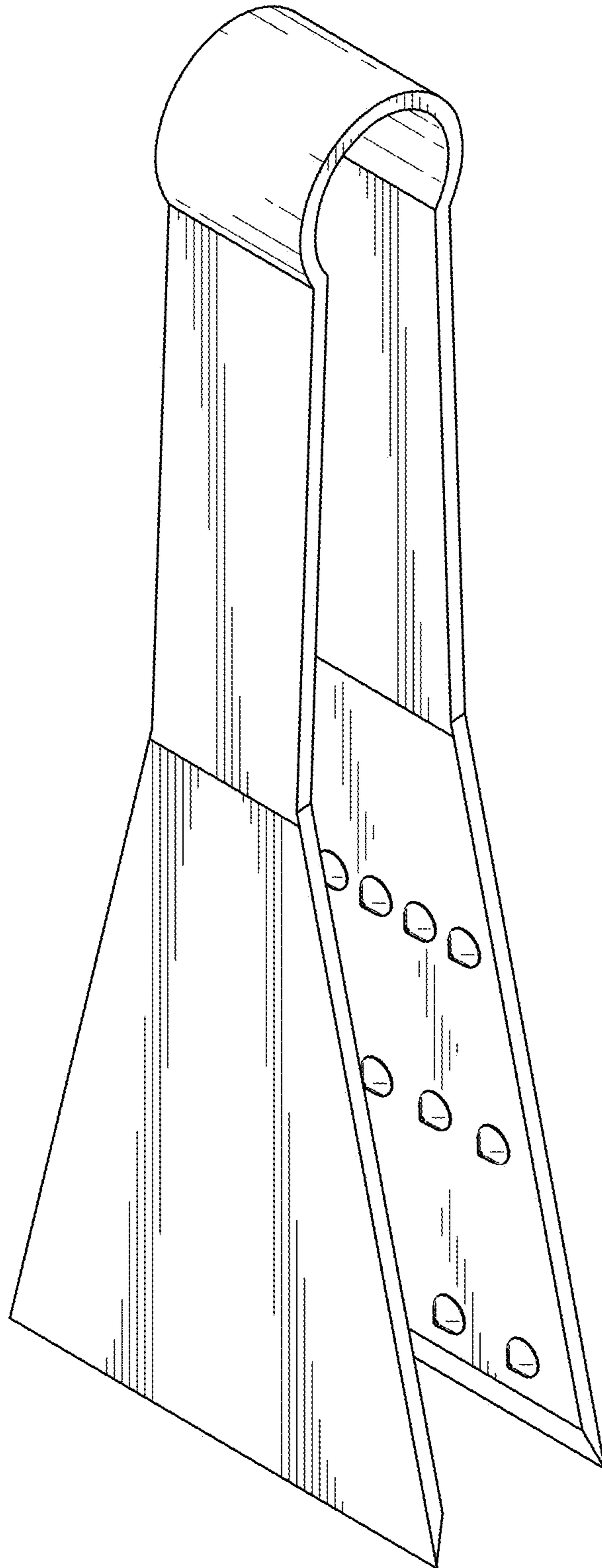


FIG. 2

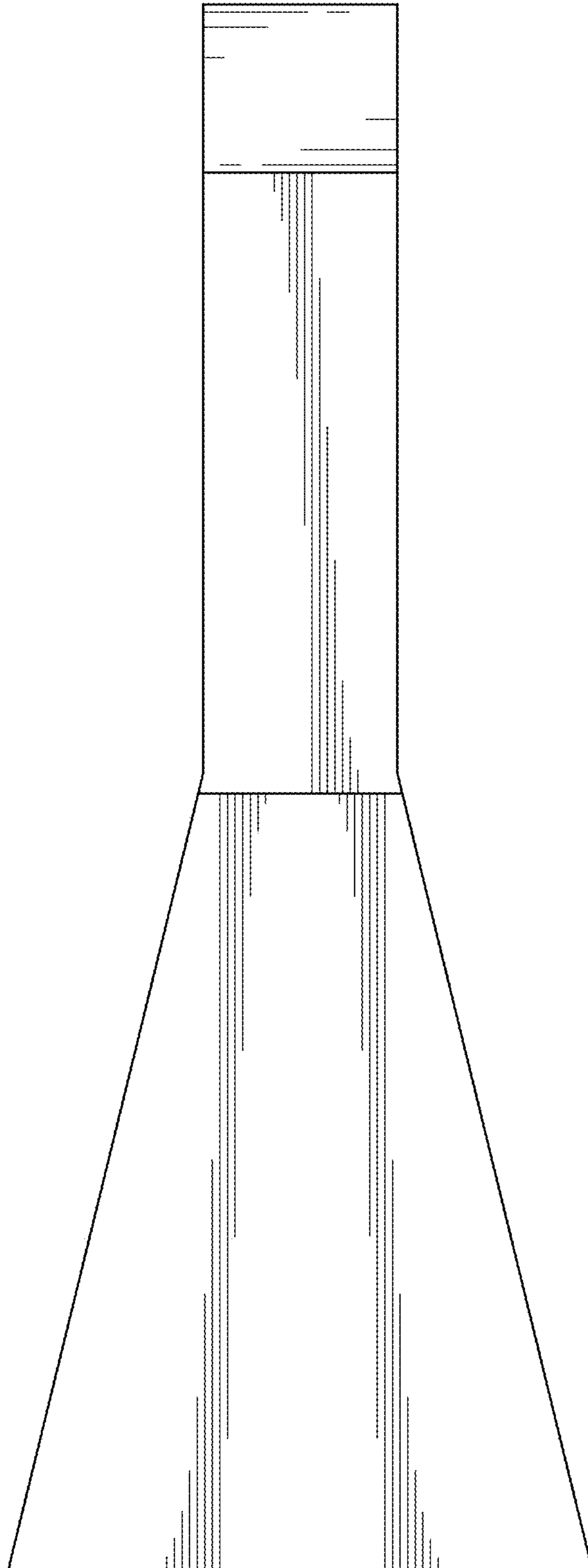


FIG. 3

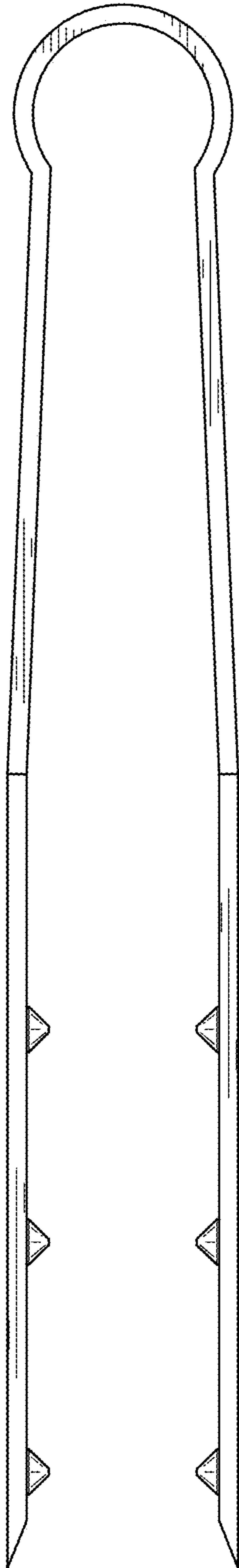


FIG. 4

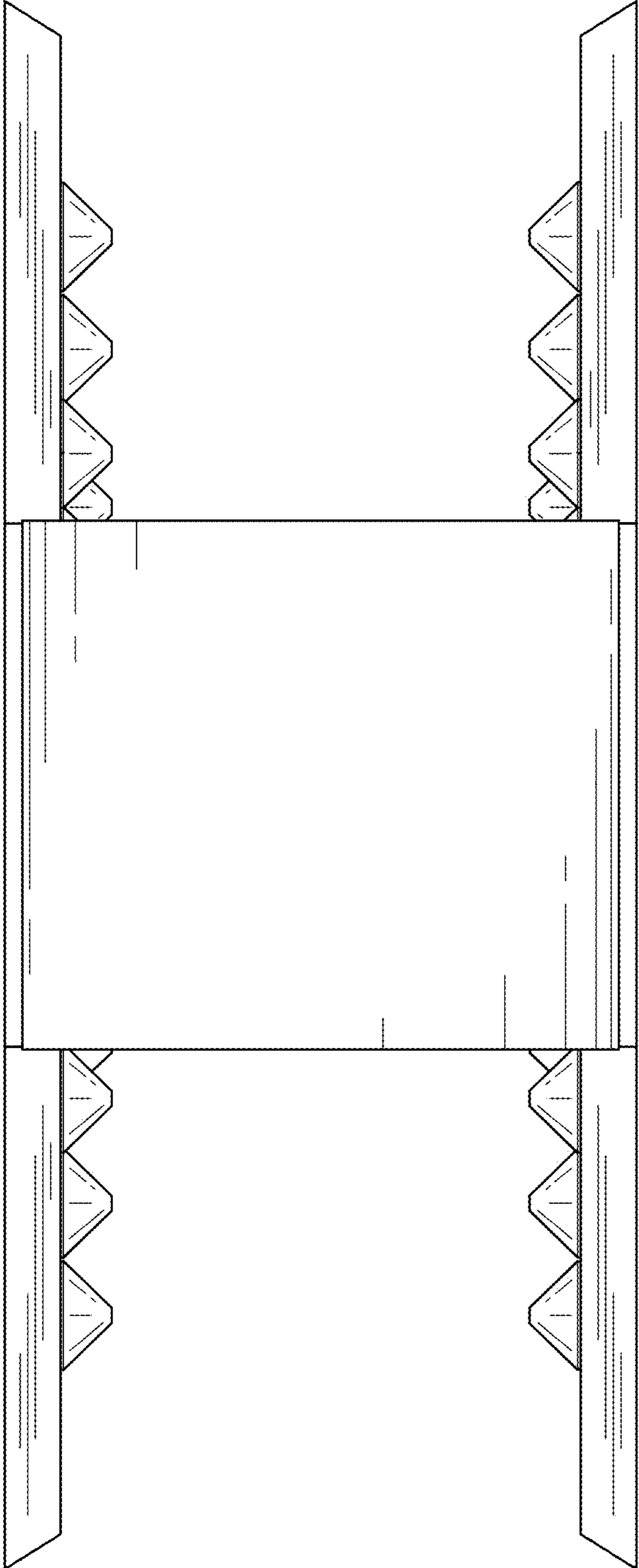


FIG. 5

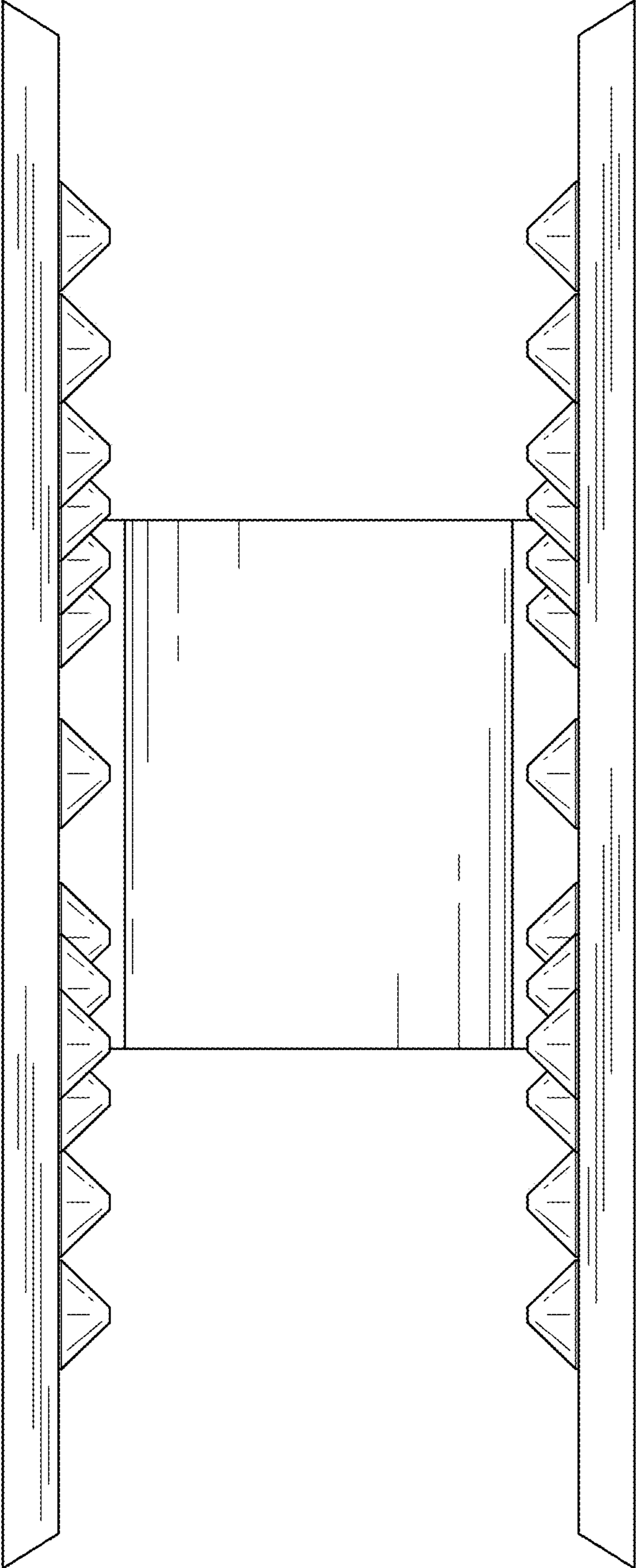


FIG. 6

