



US00D722476S

(12) **United States Design Patent**  
**Kilduff et al.**

(10) **Patent No.:** **US D722,476 S**

(45) **Date of Patent:** **\*\* Feb. 17, 2015**

(54) **STORAGE CONTAINER**

D686,885 S \* 7/2013 Meyers et al. .... D7/629  
2010/0200438 A1 \* 8/2010 Davies ..... 206/223

(71) Applicant: **Pollen Design, Inc.**, New York, NY (US)

\* cited by examiner

(72) Inventors: **Edward Kilduff**, New York, NY (US);  
**Shane Blomberg**, Brooklyn, NY (US)

*Primary Examiner* — Terry Wallace

(74) *Attorney, Agent, or Firm* — Klauber & Jackson LLC

(73) Assignee: **Pollen Design, Inc.**, New York, NY (US)

(57) **CLAIM**

The ornamental design for a storage container, as shown and described.

(\*\*) Term: **14 Years**

(21) Appl. No.: **29/477,409**

**DESCRIPTION**

(22) Filed: **Dec. 20, 2013**

FIG. 1 is a top, front, left side perspective view of a storage container showing our new design.

(51) **LOC (10) Cl.** ..... **07-07**

FIG. 2 is an exploded bottom, front, left side perspective view thereof.

(52) **U.S. Cl.**

USPC ..... **D7/630**; D7/629; D7/615

FIG. 3 is a front view thereof, in a closed position.

(58) **Field of Classification Search**

USPC ..... D7/608, 612–615, 629, 630, 601, 602;  
220/23.86, 780–806, 574–575; 215/6,  
215/12.1, 12.2; D9/529, 530, 537, 541,  
D9/549, 559, 574, 575

FIG. 4 top plan view thereof.

FIG. 5 is a bottom plan view thereof.

FIG. 6 is a top, front, right side perspective view of the lid portion, shown separately for clarity of illustration.

FIG. 7 is a bottom, front, right side perspective view of FIG. 6.

See application file for complete search history.

FIG. 8 is a front view of FIG. 6.

FIG. 9 is a right side view of FIG. 6, the left side view being a mirror image.

(56) **References Cited**

**U.S. PATENT DOCUMENTS**

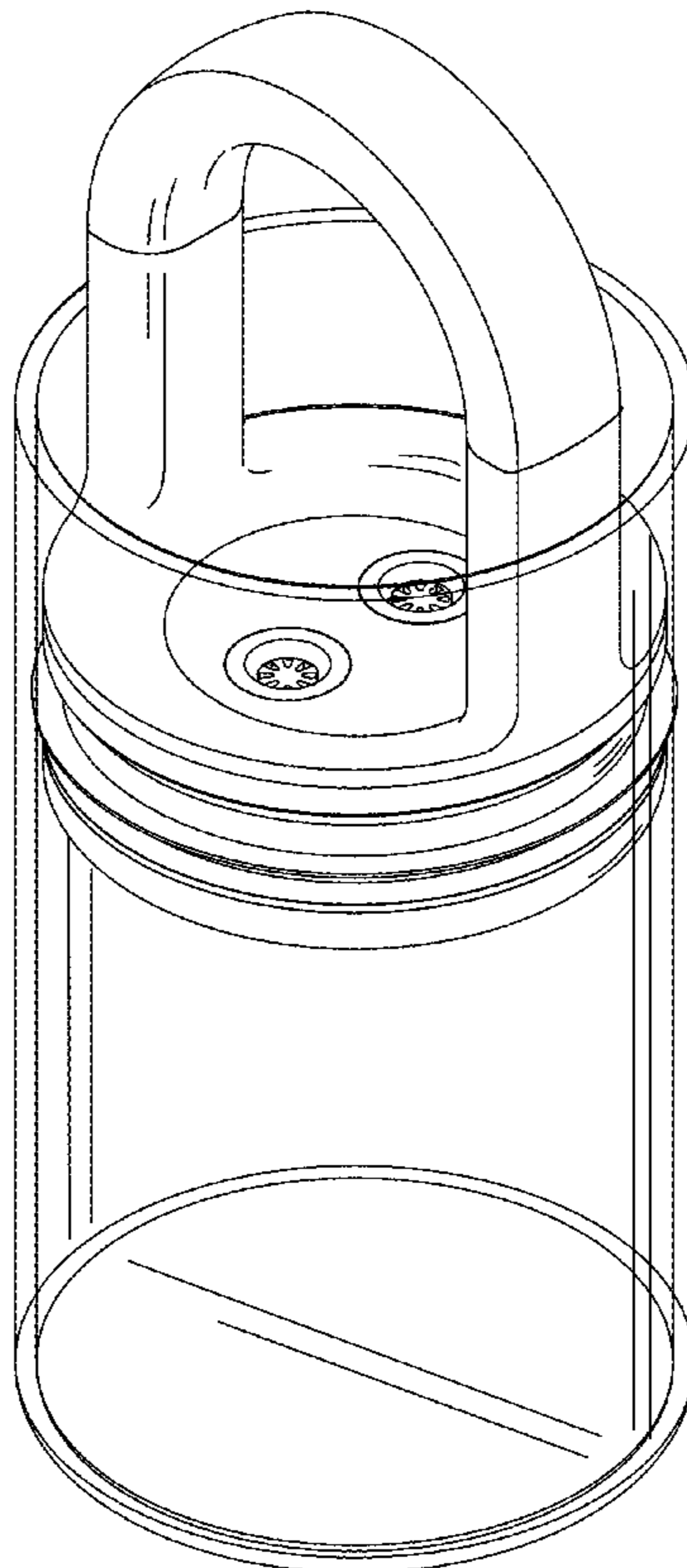
D590,667 S \* 4/2009 Trombly ..... D7/629  
D641,594 S \* 7/2011 Huang ..... D7/629  
8,342,349 B2 \* 1/2013 Lu ..... 220/23.86

FIG. 10 is a top plan view of FIG. 6.

FIG. 11 is a bottom plan view of FIG. 6; and,

FIG. 12 is a front view thereof, in an open position.

**1 Claim, 11 Drawing Sheets**



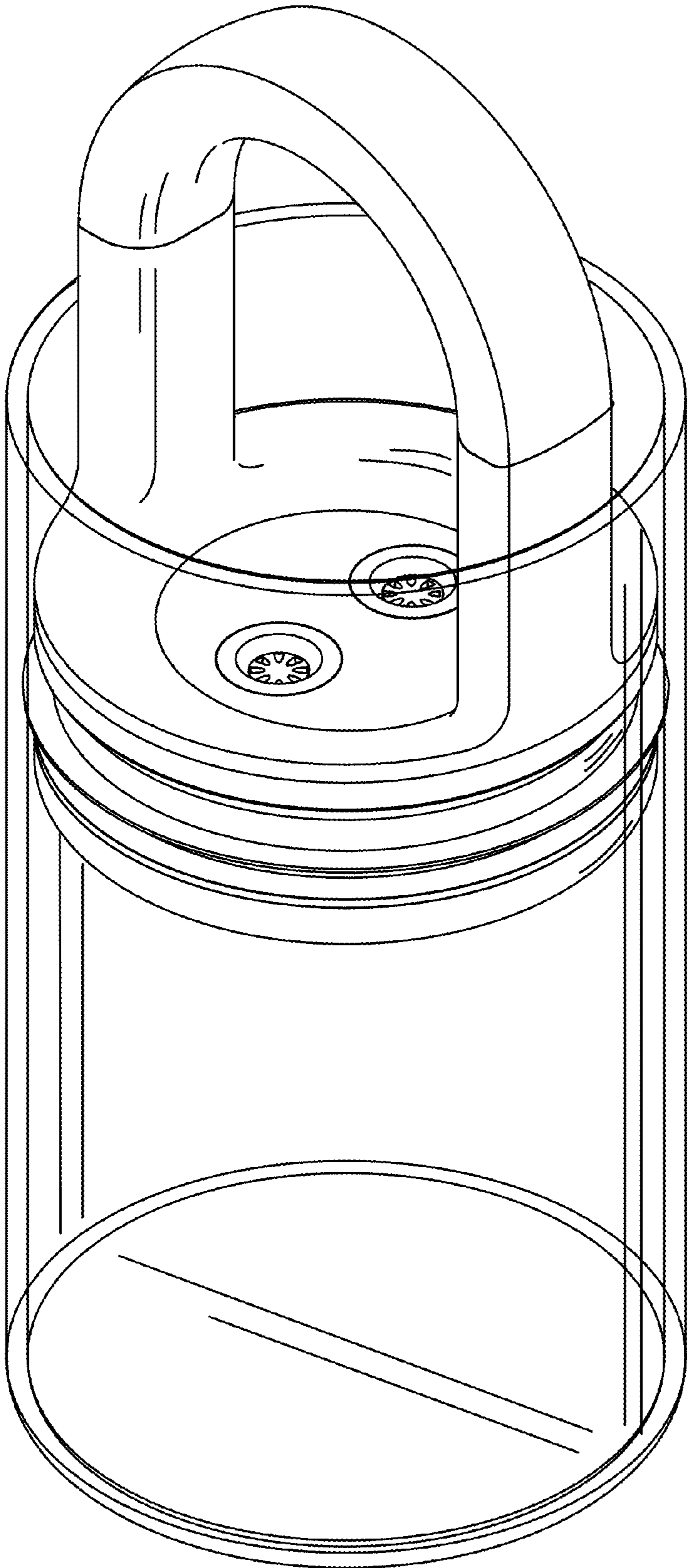
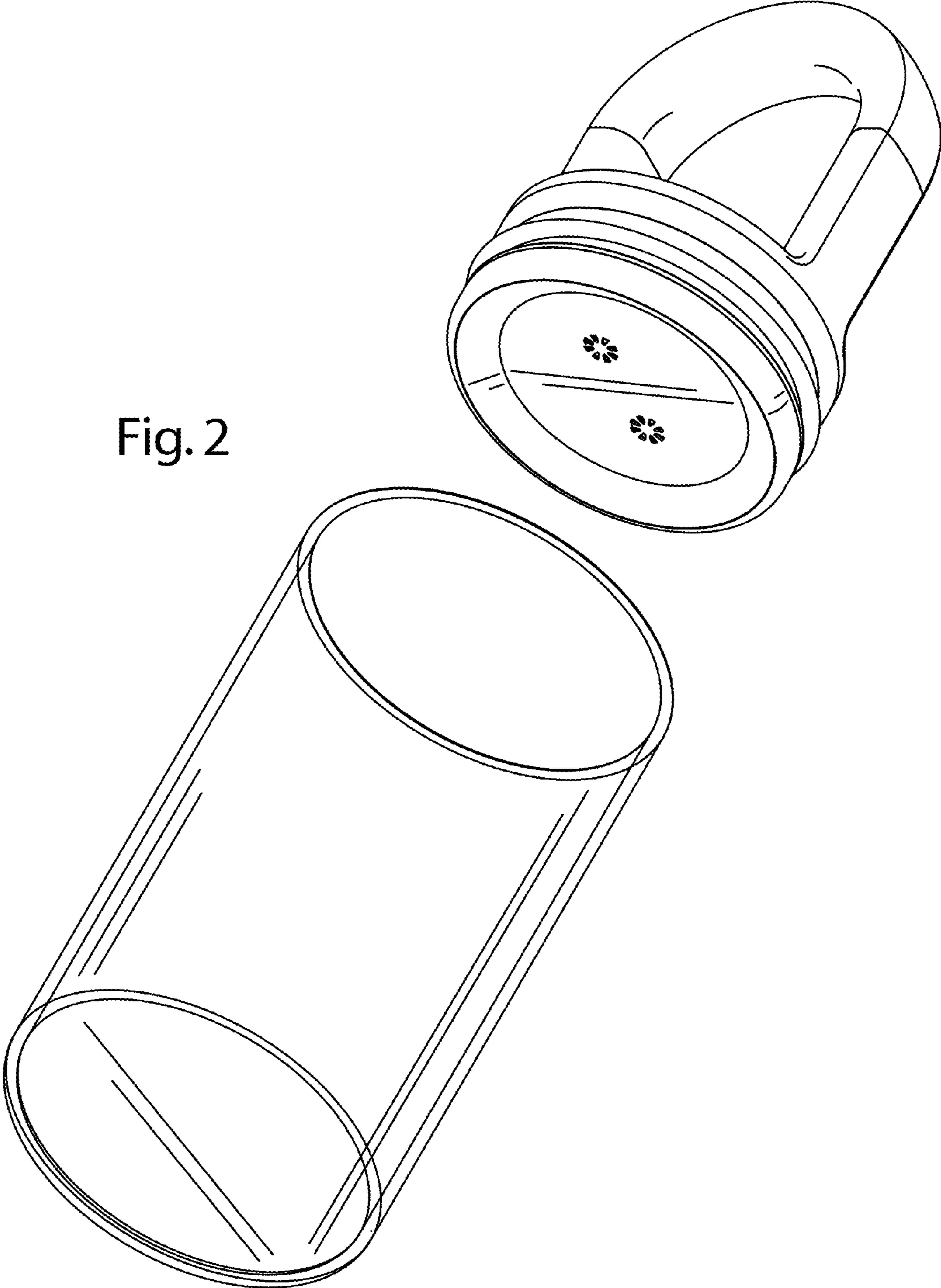


Fig. 1

Fig. 2



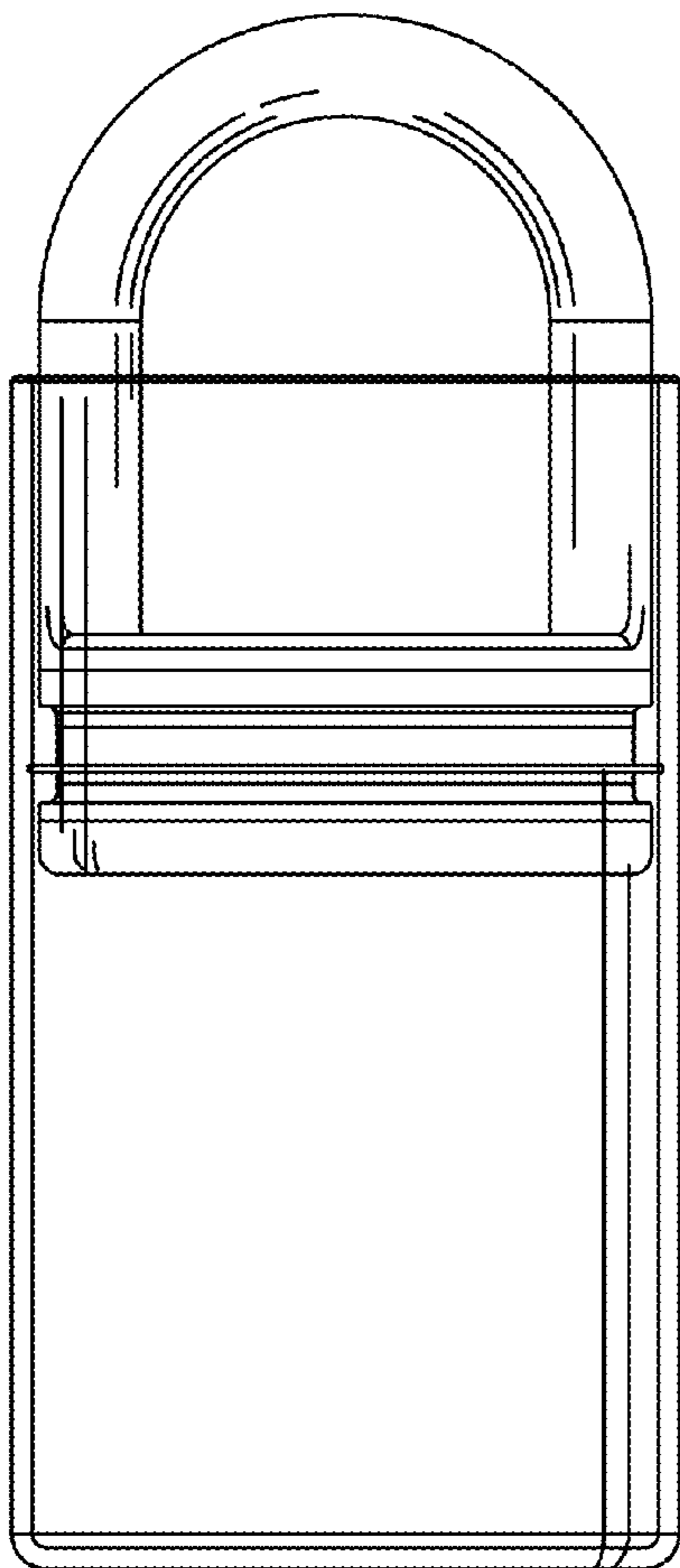


Fig. 3

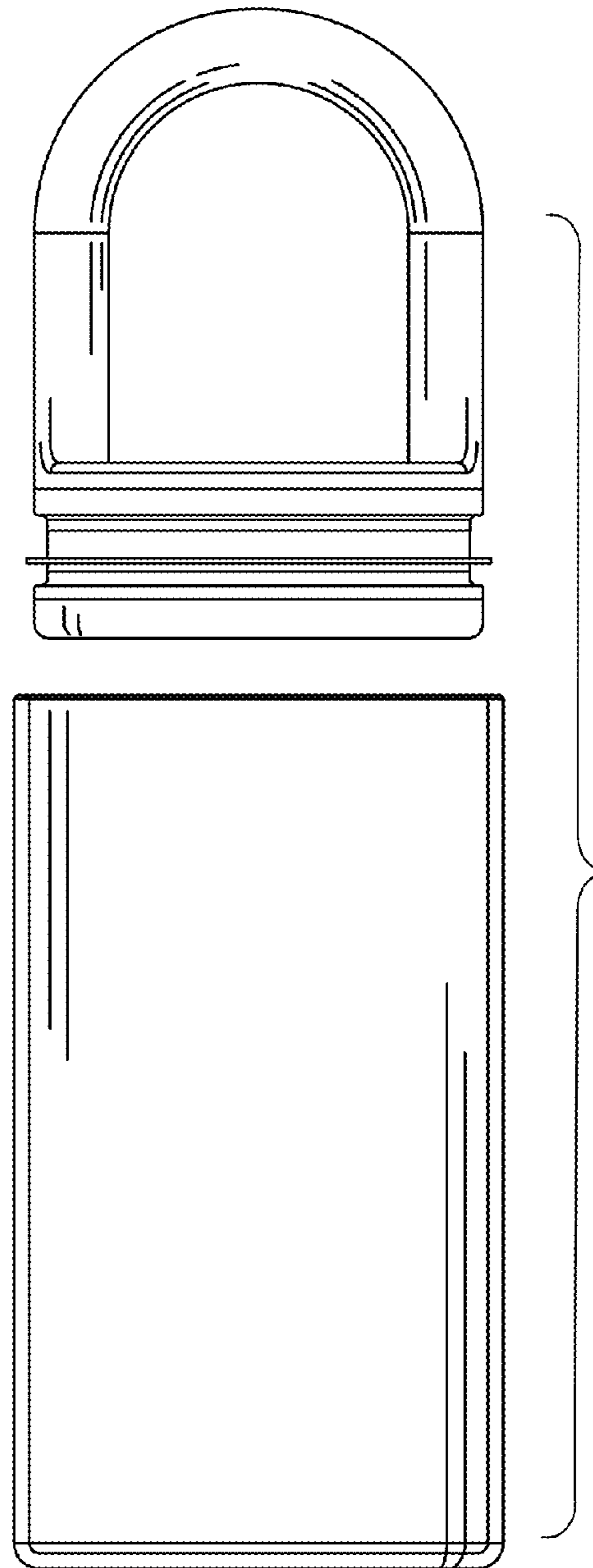


Fig. 12

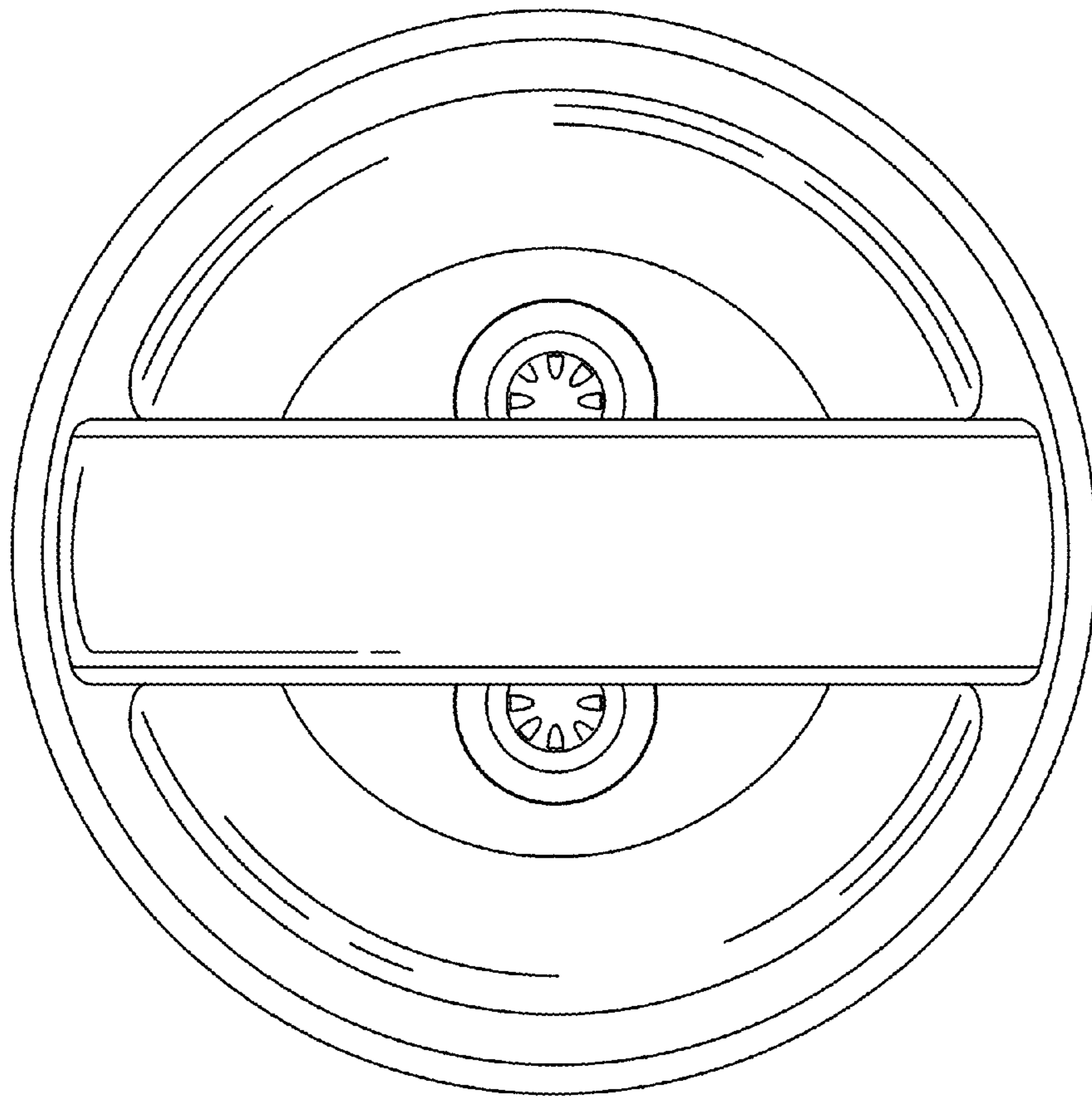


Fig. 4



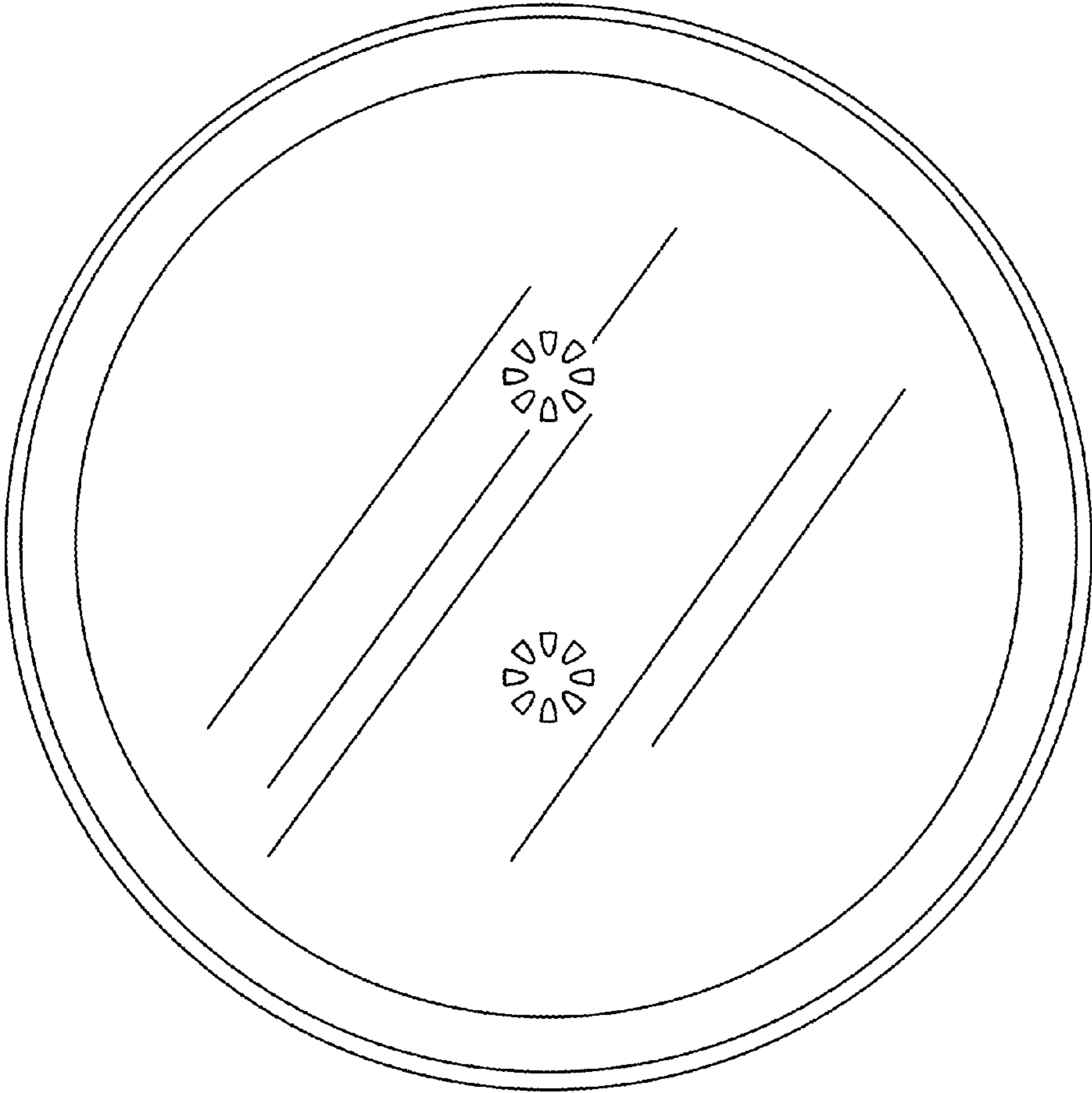


Fig. 5

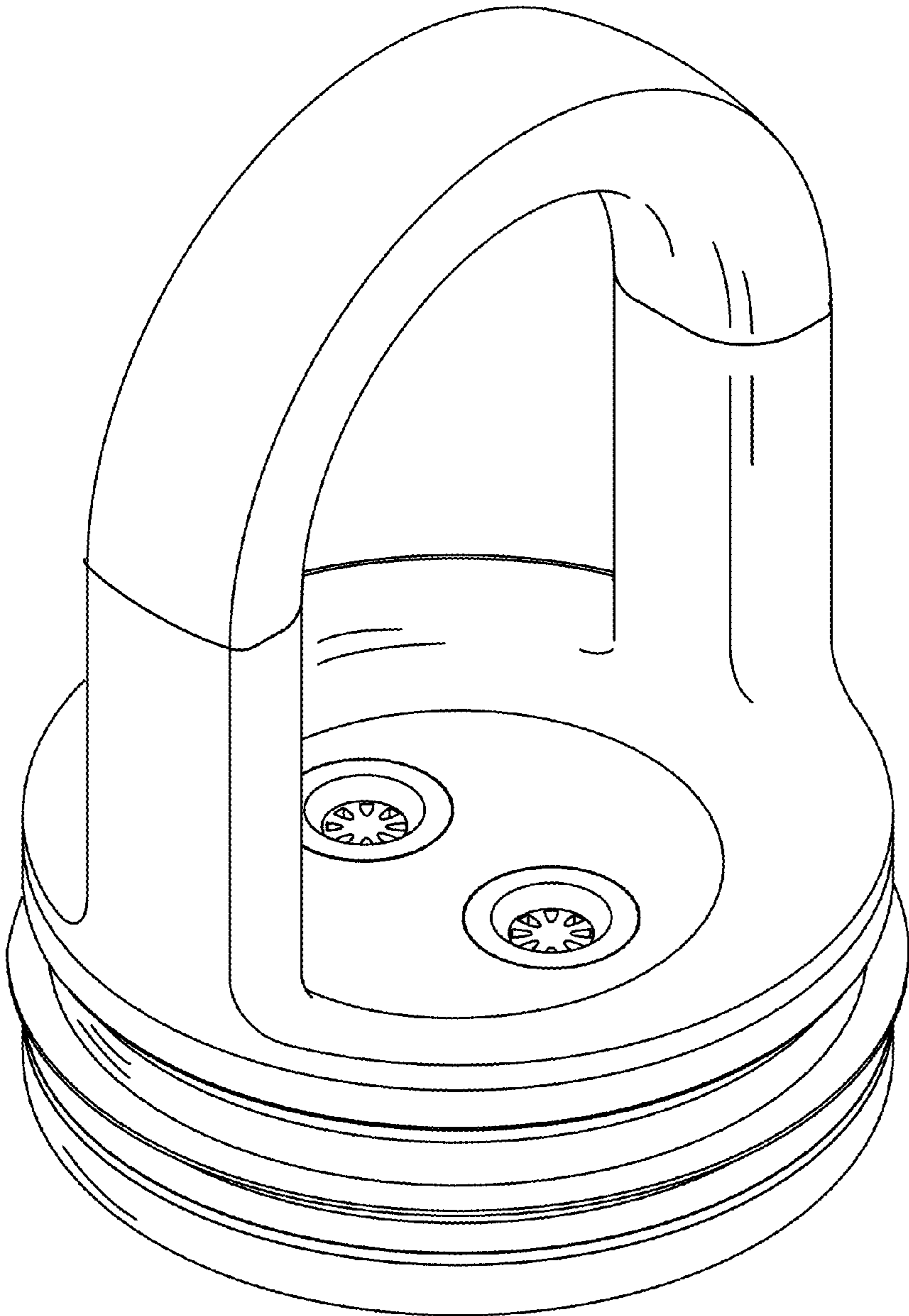


Fig. 6

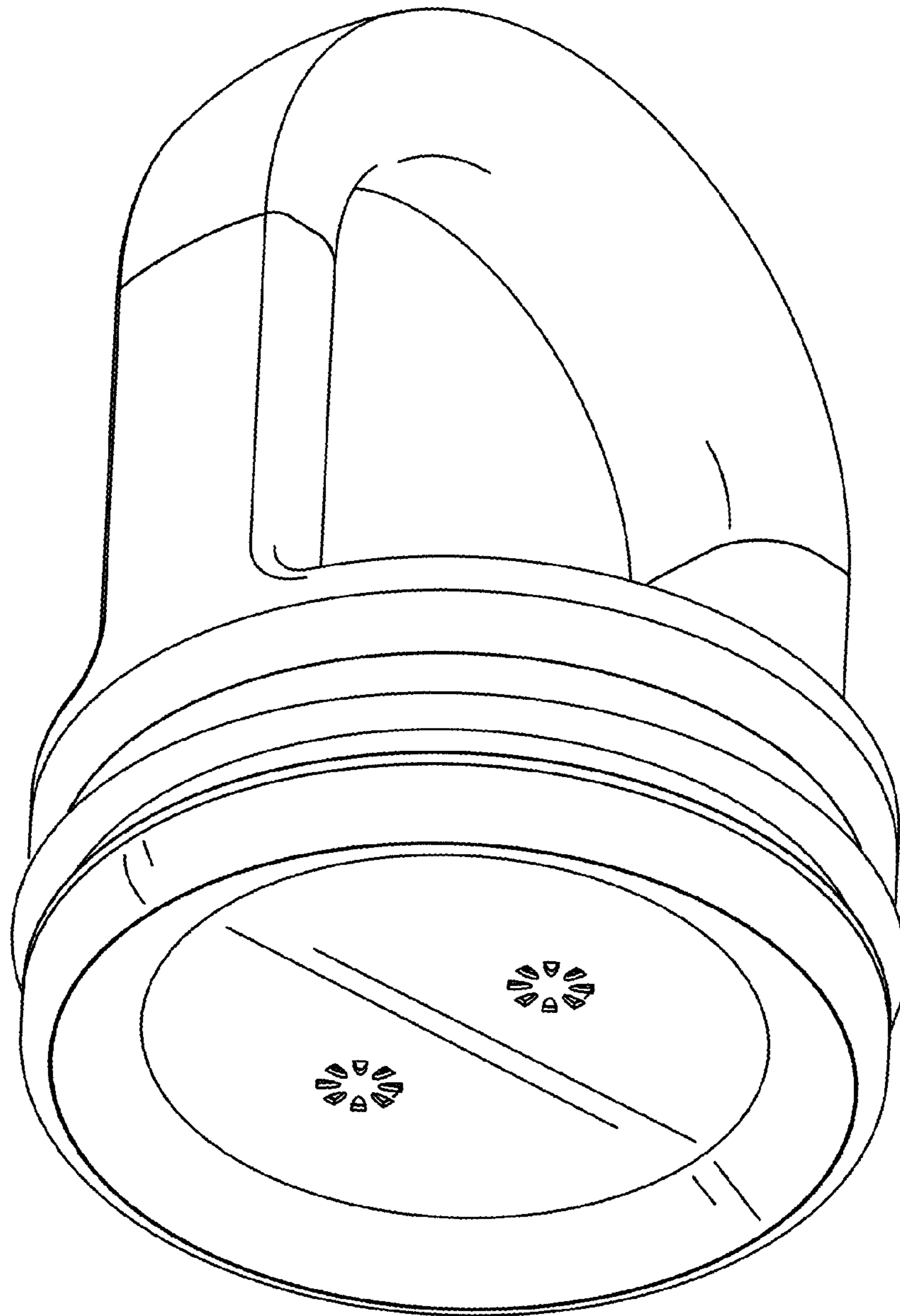


Fig. 7



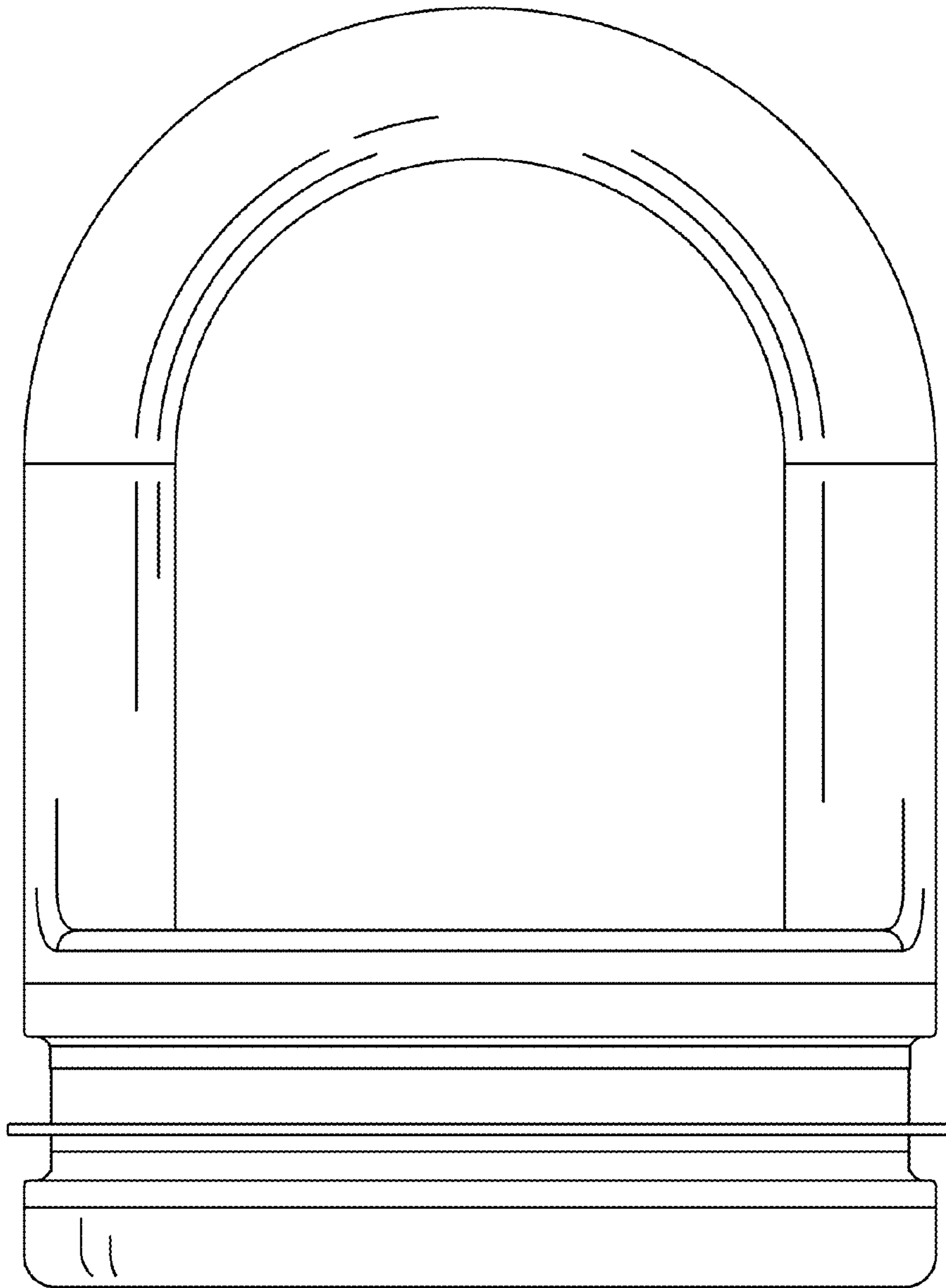


Fig. 8

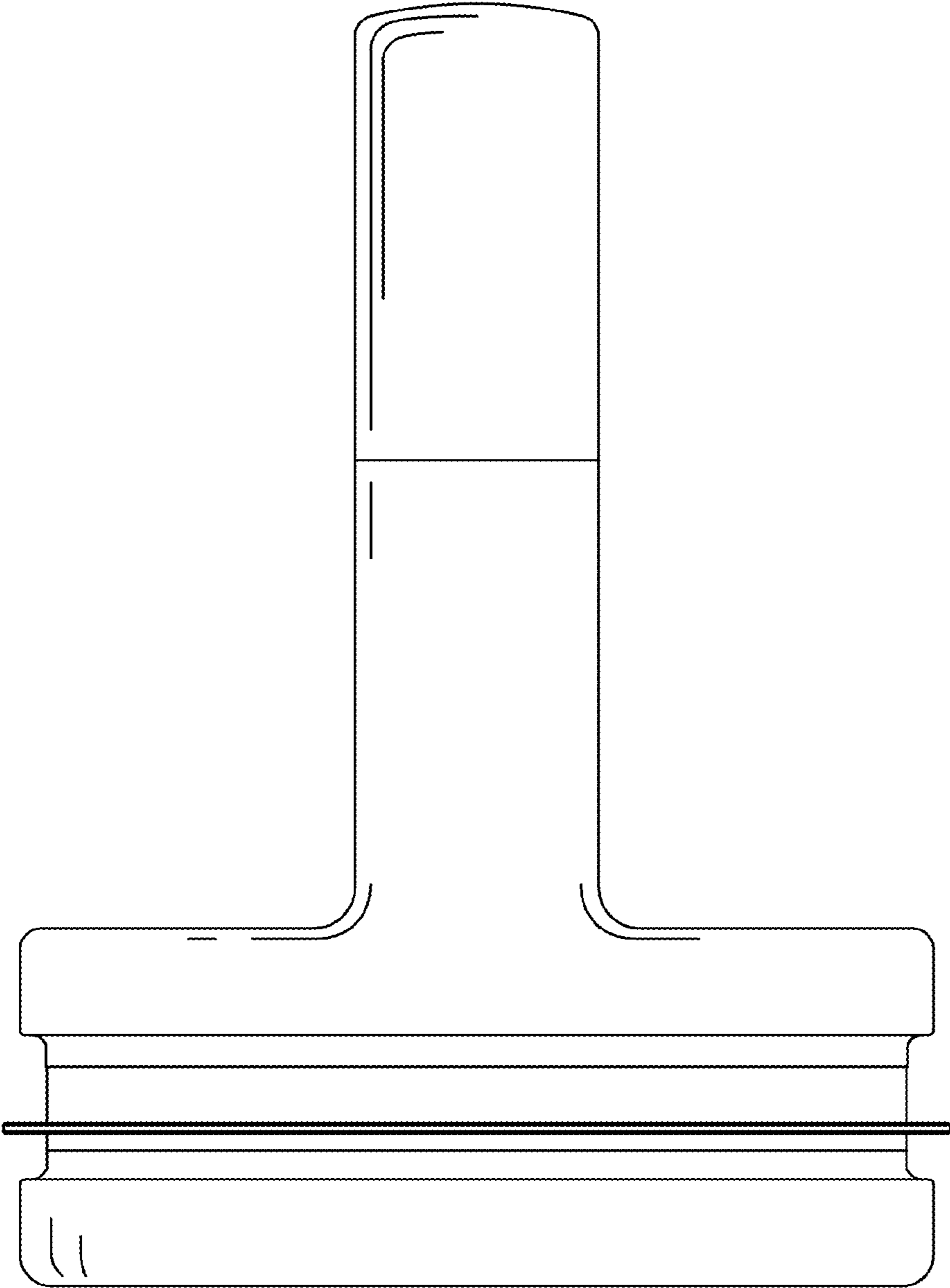


Fig. 9

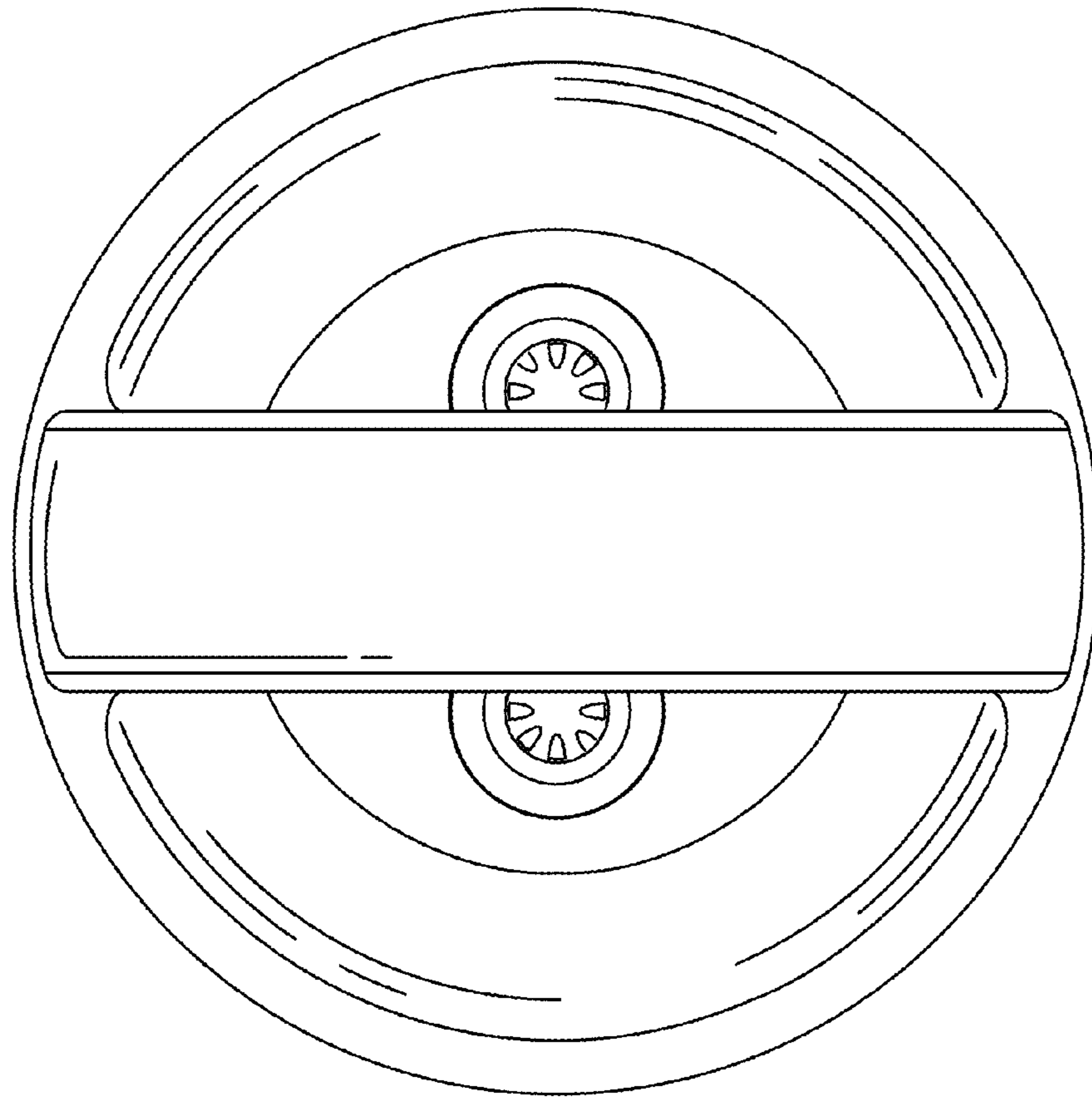


Fig. 10

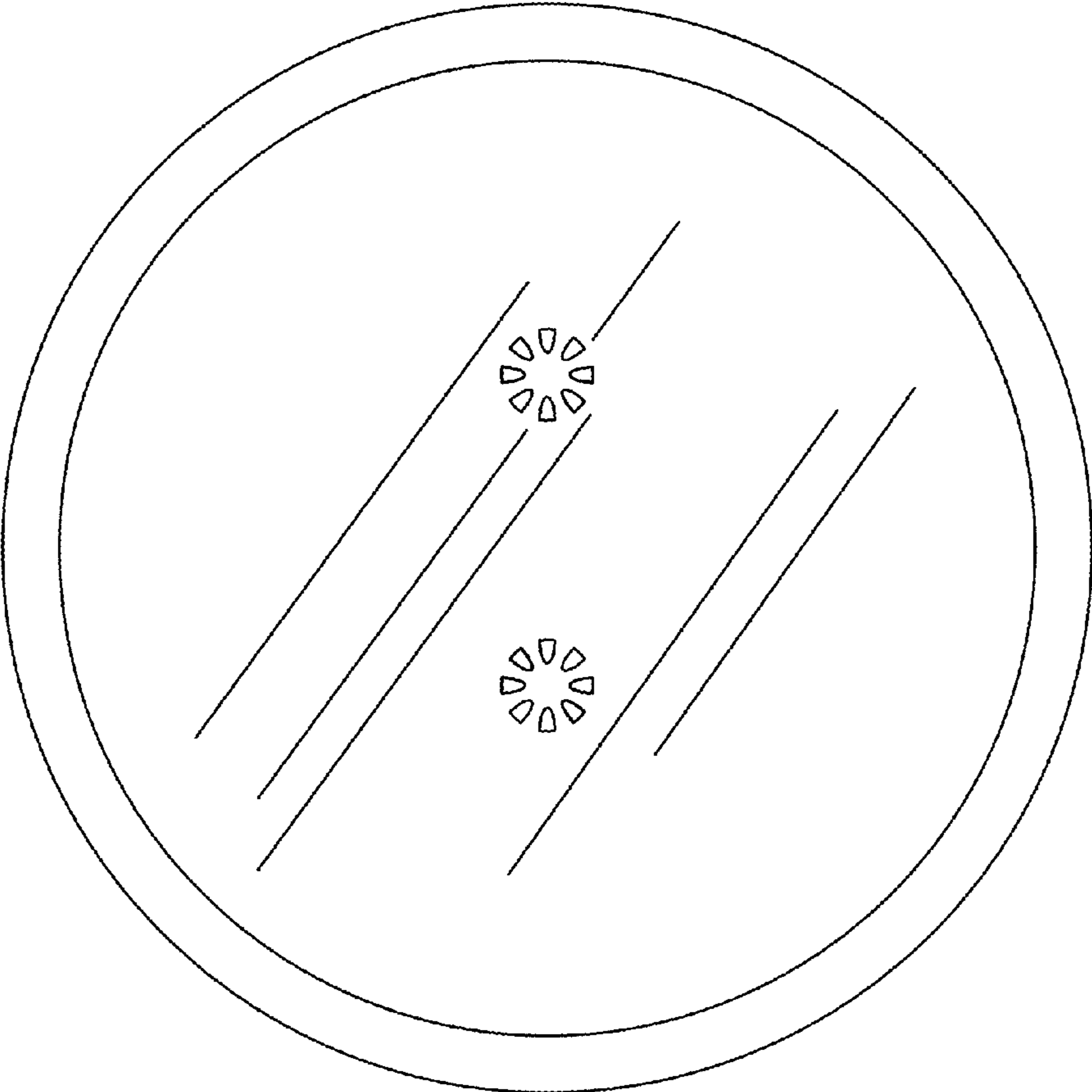


Fig. 11