



US00D722474S

(12) **United States Design Patent**
Seiders

(10) **Patent No.:** **US D722,474 S**

(45) **Date of Patent:** **** Feb. 17, 2015**

(54) **COMBINED COOLER AND BUCKET**

(71) Applicant: **YETI Coolers, LLC**, Austin, TX (US)

(72) Inventor: **Roy Joseph Seiders**, Austin, TX (US)

(73) Assignee: **YETI Coolers, LLC**, Austin, TX (US)

(**) Term: **14 Years**

(21) Appl. No.: **29/479,023**

(22) Filed: **Jan. 10, 2014**

(51) **LOC (10) Cl.** **07-01**

(52) **U.S. Cl.**
USPC **D7/605; D32/53**

(58) **Field of Classification Search**
USPC D7/603-608, 602, 629, 612-615,
D7/538-542; D9/424-428, 434, 435, 454;
15/260-264; D32/53, 53.1; 220/755,
220/760, 764, 699, 780-806
See application file for complete search history.

(56) **References Cited**

U.S. PATENT DOCUMENTS

D289,455 S * 4/1987 Freiler D32/53
D292,836 S * 11/1987 Juergens D32/53
4,711,364 A * 12/1987 Letica 220/276

5,875,913 A * 3/1999 Letica 220/269
6,588,618 B1 * 7/2003 Davis 220/254.7
D493,929 S * 8/2004 Schwarz D32/53
D530,156 S * 10/2006 Moore D7/603
D590,561 S * 4/2009 Baltz D32/53

* cited by examiner

Primary Examiner — Terry Wallace

(74) *Attorney, Agent, or Firm* — Banner & Witcoff, Ltd.

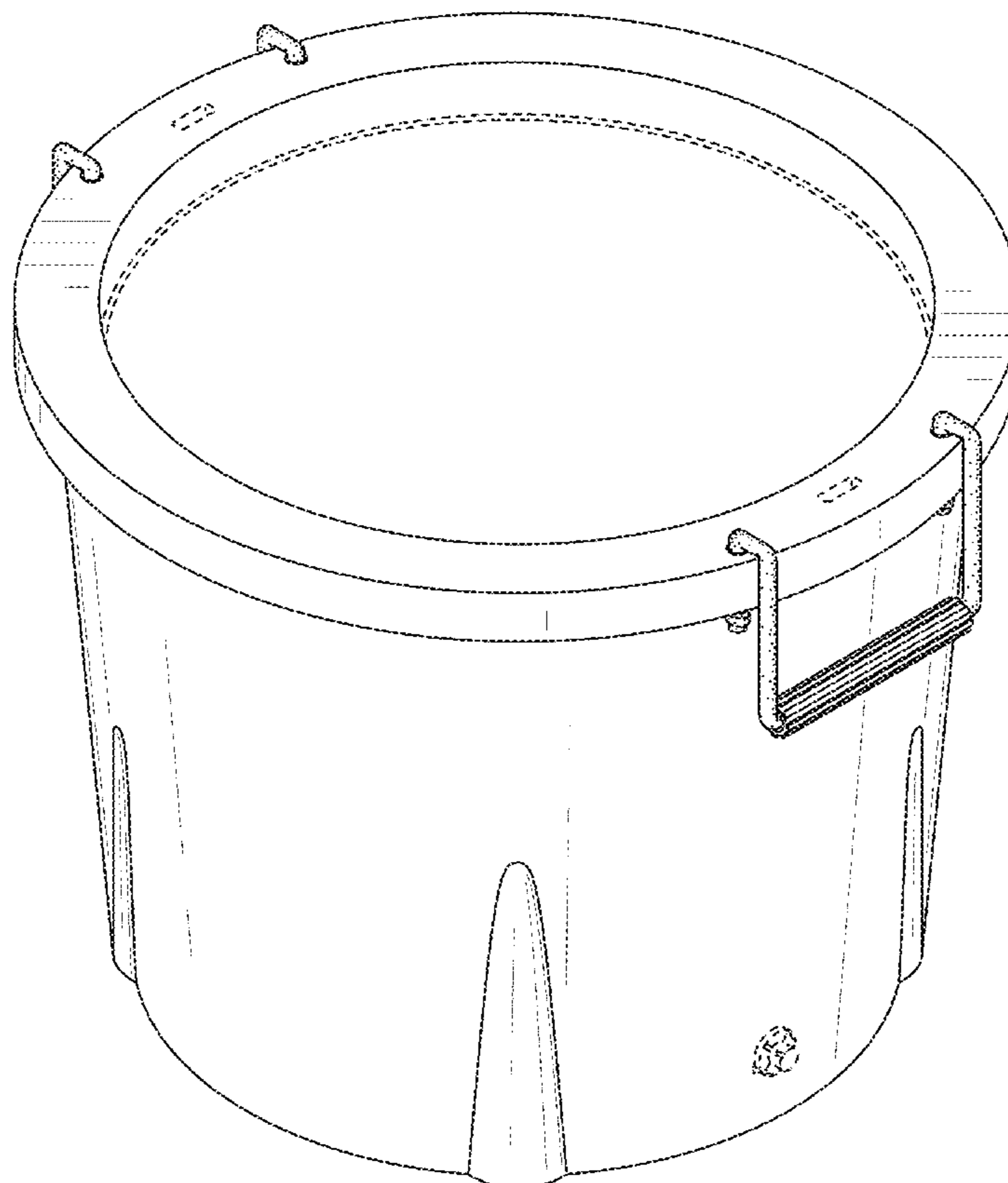
(57) **CLAIM**

The ornamental design for a combined cooler and bucket, as shown and described.

DESCRIPTION

FIG. 1 is a top, front, right perspective view of a combined cooler and bucket showing my new design;
FIG. 2 is a front view thereof;
FIG. 3 is a right side view thereof;
FIG. 4 is a rear view thereof;
FIG. 5 is a left side view thereof;
FIG. 6 is a top view thereof; and,
FIG. 7 is a bottom view thereof.
The broken lines showing the remainder of the combined cooler and bucket are for environmental purposes only and form no part of the claimed design.

1 Claim, 7 Drawing Sheets



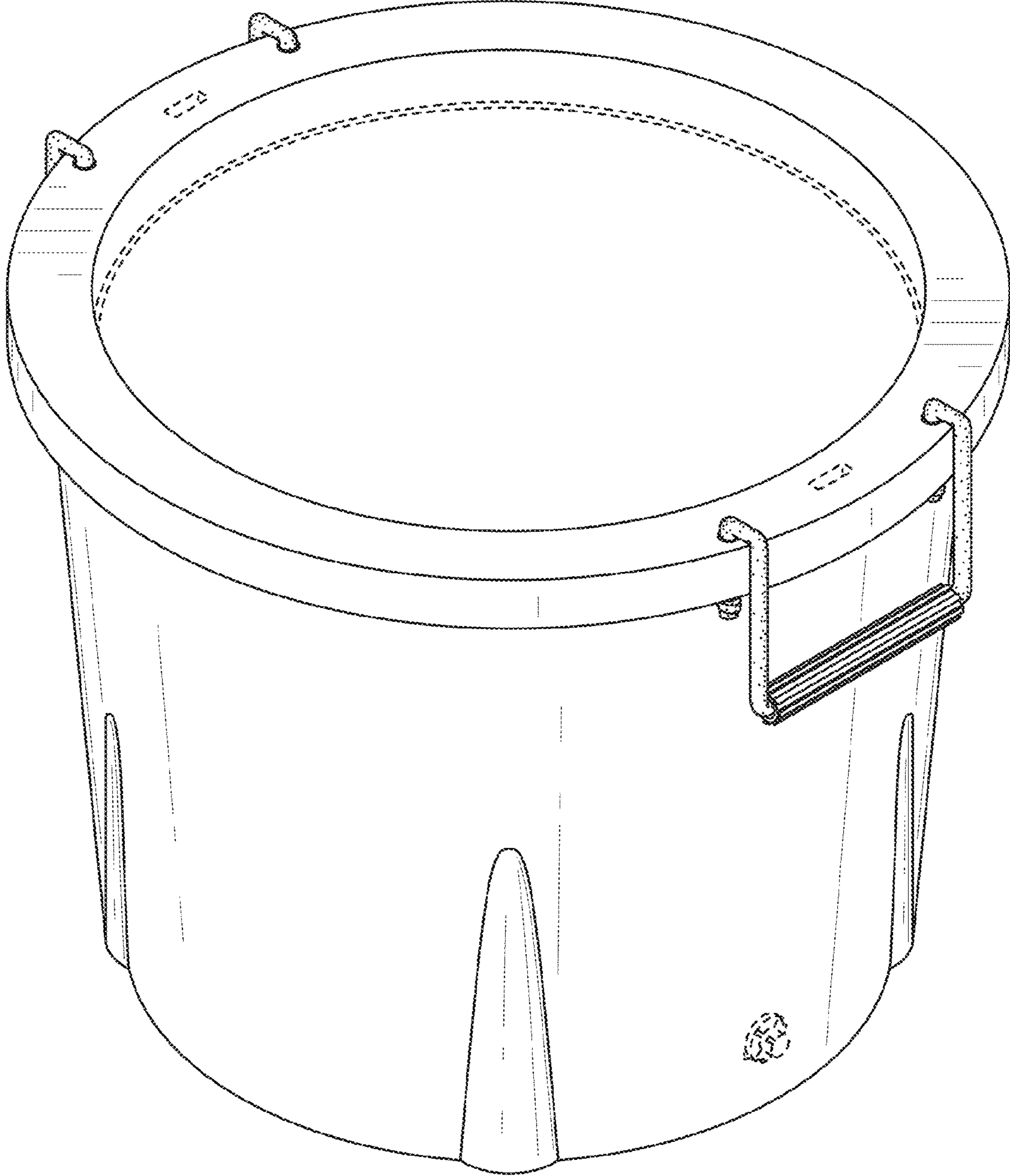


FIG. 1

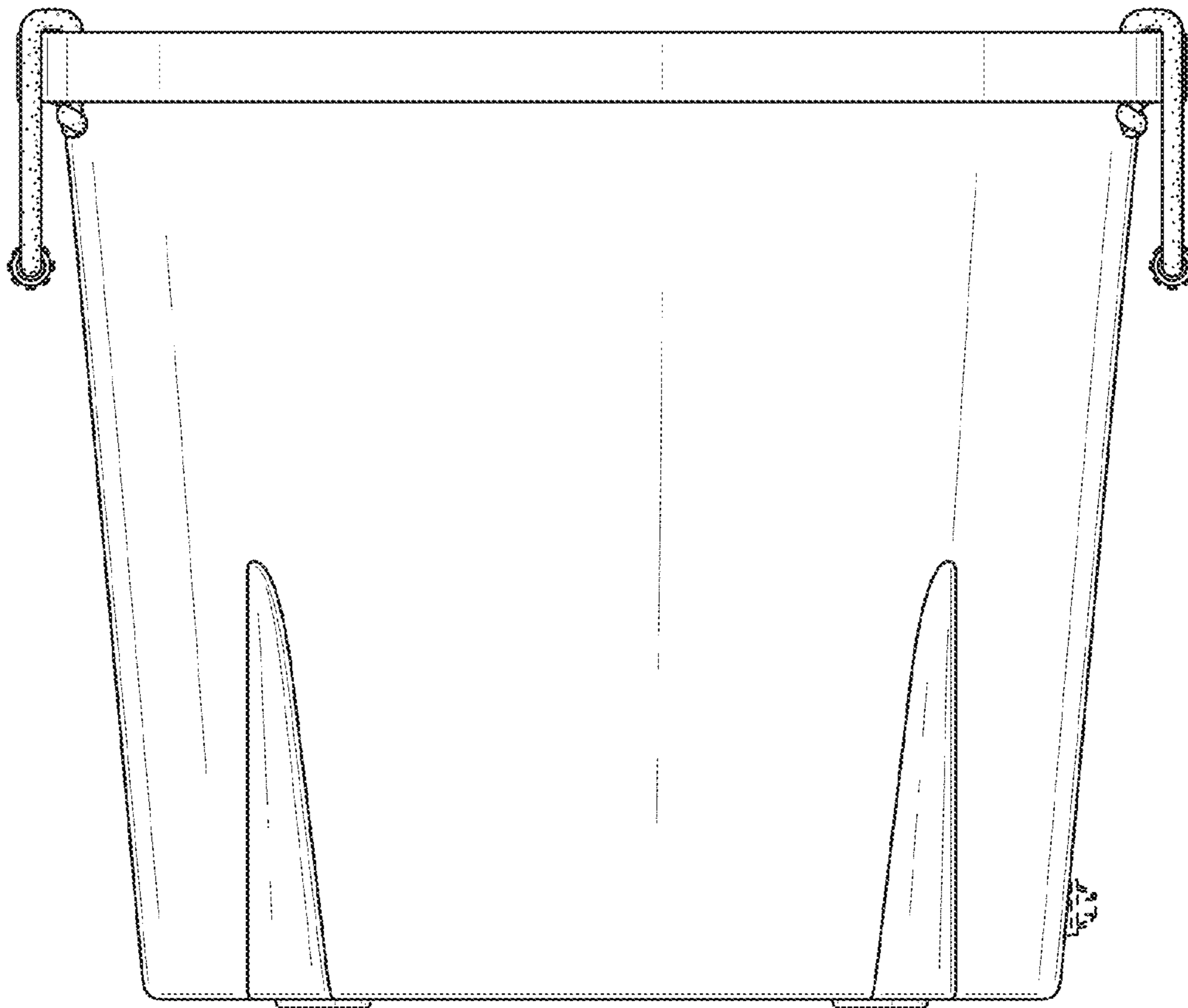


FIG. 2

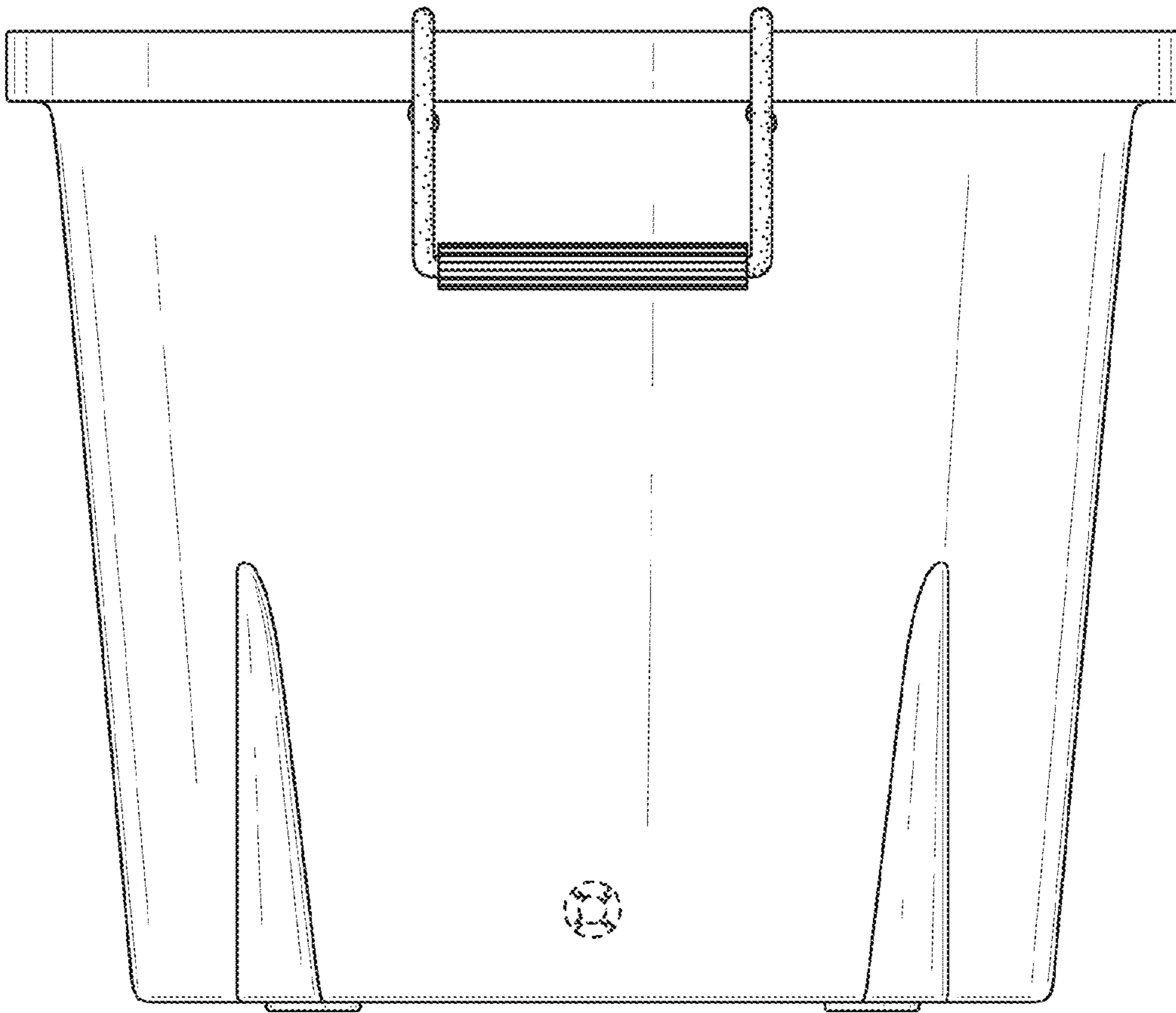


FIG. 3

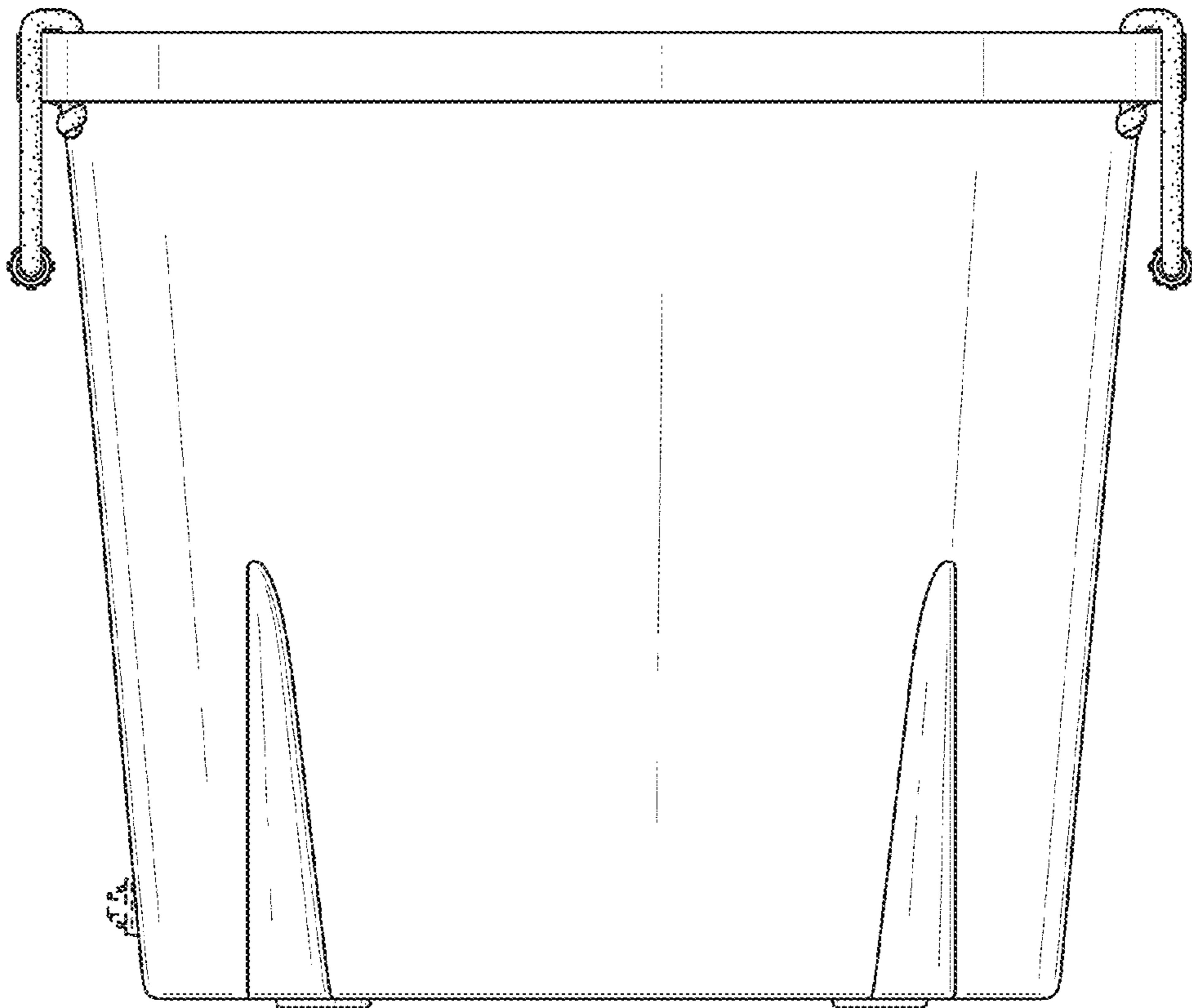


FIG. 4

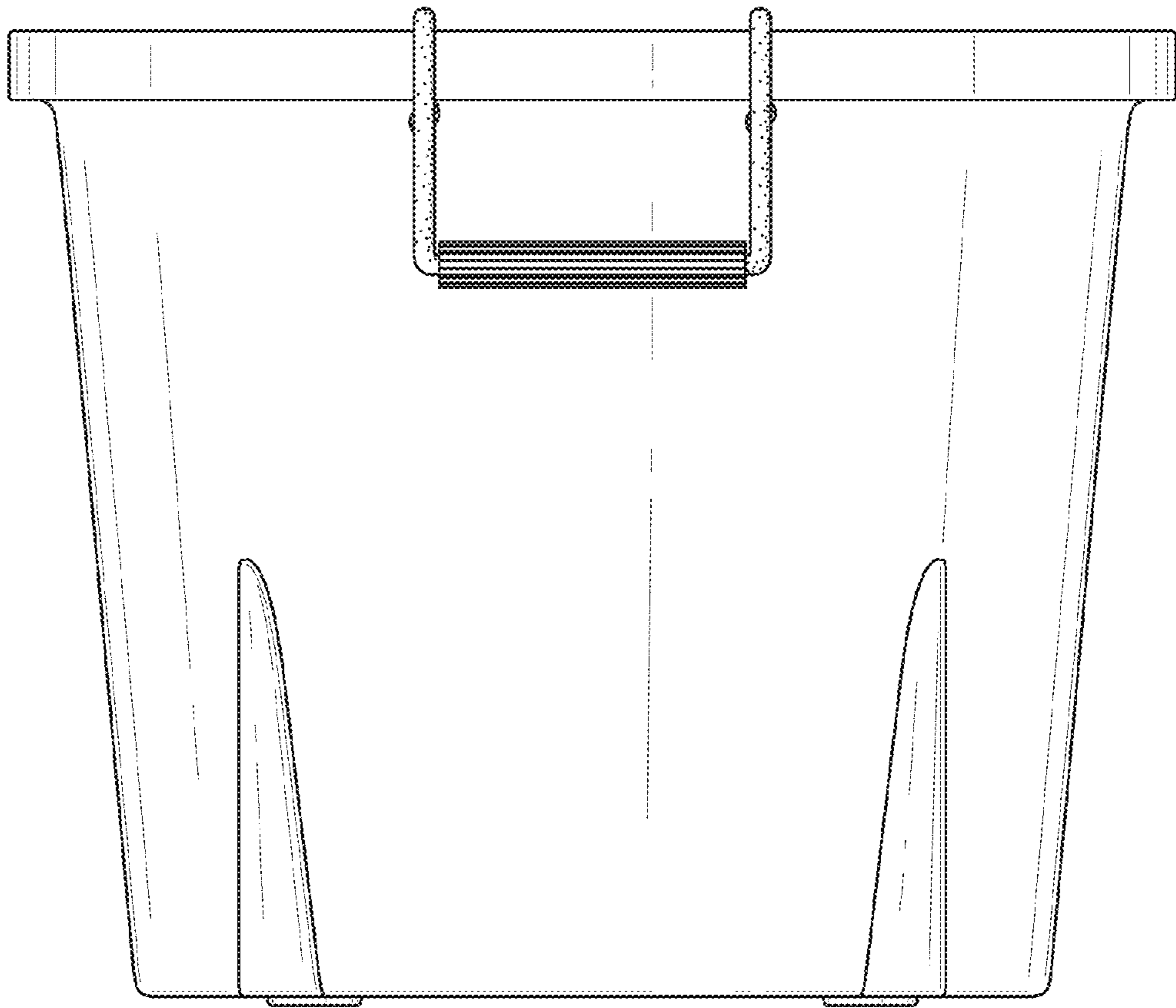


FIG. 5

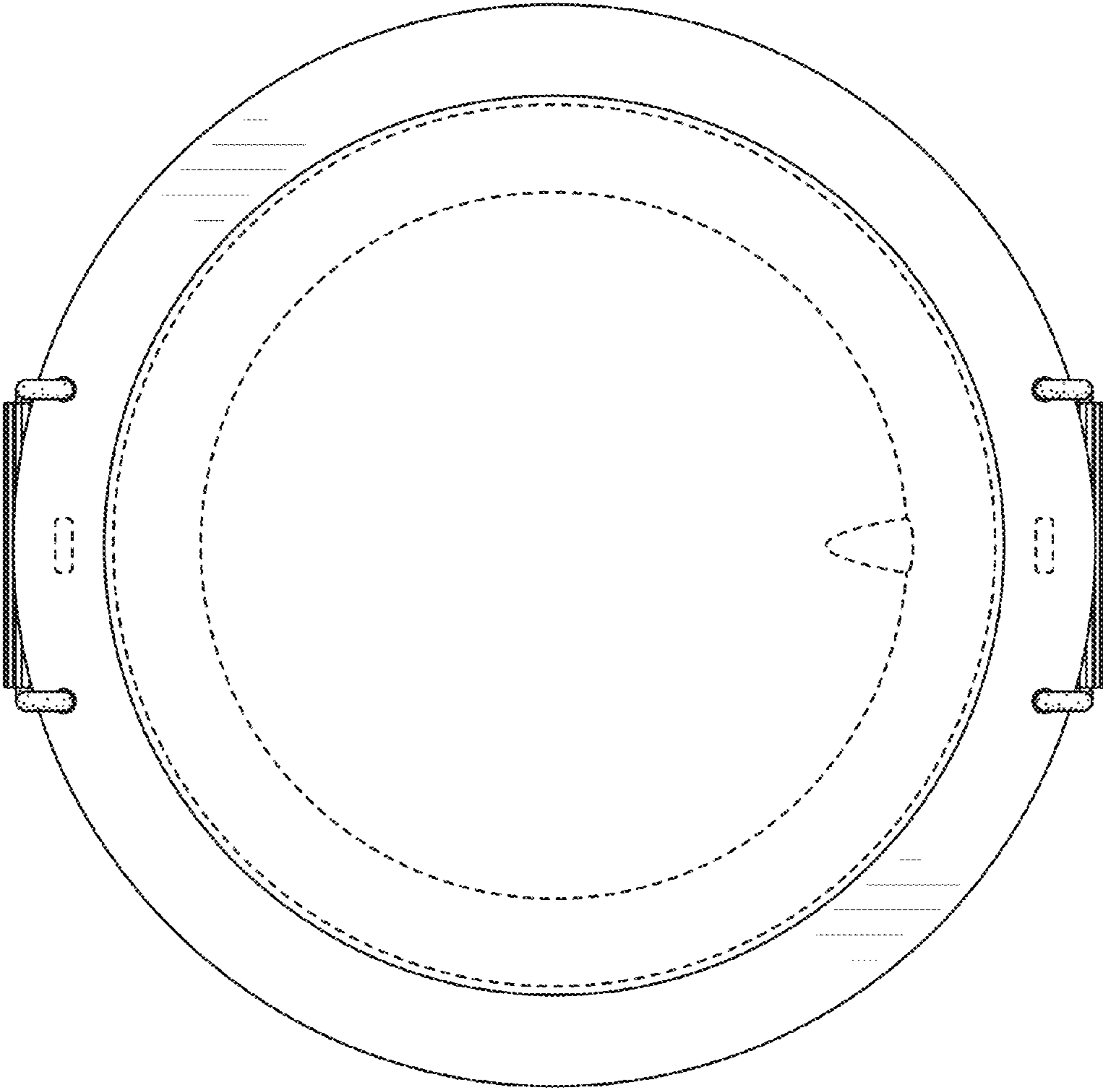


FIG. 6

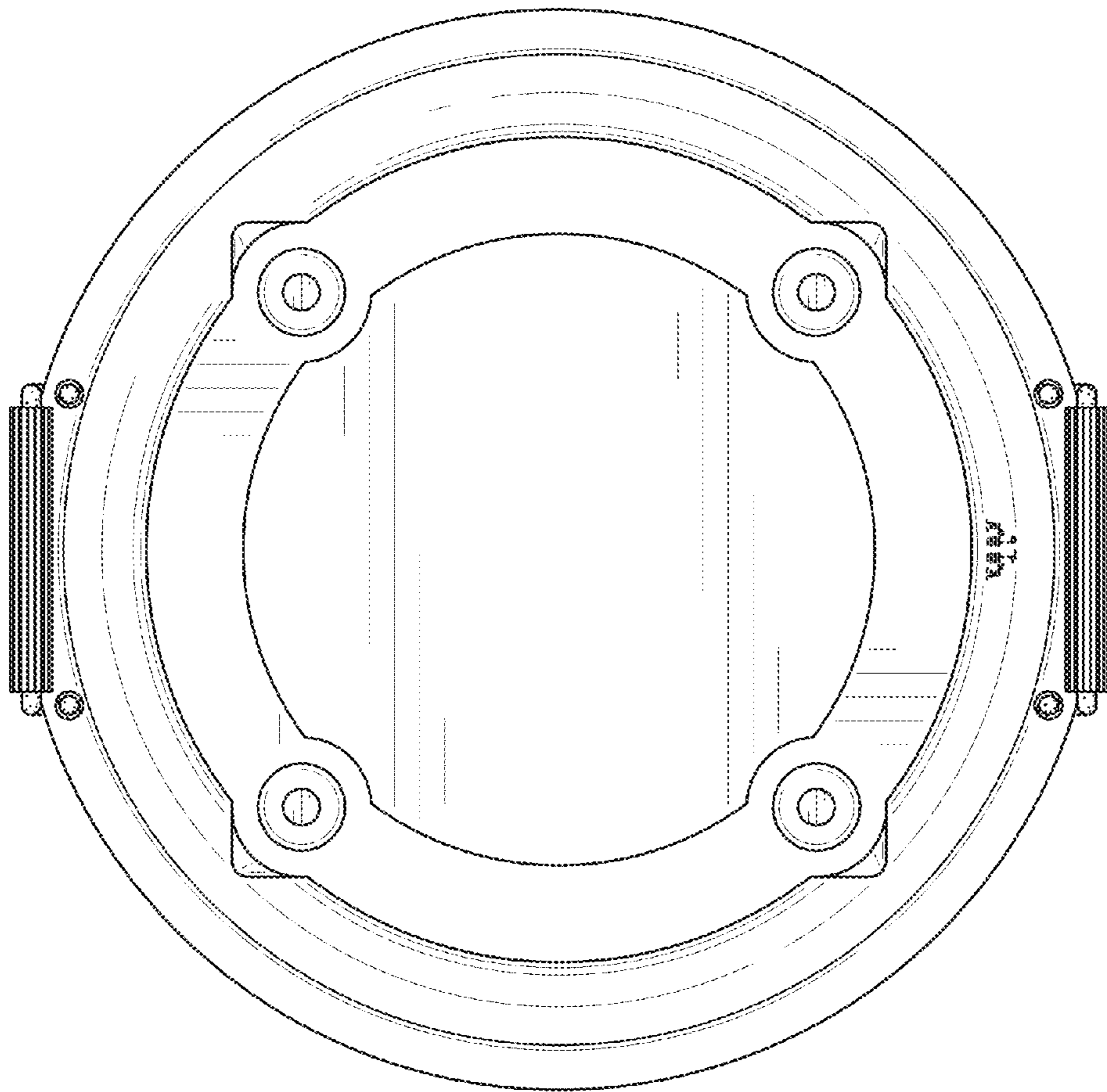


FIG. 7