



US00D722473S

(12) **United States Design Patent**
Lee

(10) **Patent No.:** **US D722,473 S**
(45) **Date of Patent:** **** Feb. 17, 2015**

(54) **TUB COOLER**

(71) Applicant: **Lawrence K. Lee**, Houston, TX (US)

(72) Inventor: **Lawrence K. Lee**, Houston, TX (US)

(**) Term: **14 Years**

(21) Appl. No.: **29/465,692**

(22) Filed: **Aug. 30, 2013**

(51) **LOC (10) Cl.** **07-01**

(52) **U.S. Cl.**
USPC **D7/605**

(58) **Field of Classification Search**

CPC A47F 3/0439; A47F 3/14; F25D 3/02
USPC D7/605, 606; D15/83; 220/592.1,
220/592.2, 592.25, 592.03, 592.09, 592.16,
220/915.1, 915.2; D34/1, 5;
62/457.1–457.9, 371, 372, 462, 463,
62/464, 458

See application file for complete search history.

(56) **References Cited**

U.S. PATENT DOCUMENTS

4,546,900 A * 10/1985 Lackey 220/592.16
5,048,305 A * 9/1991 Taub 62/372
5,433,085 A * 7/1995 Rogers 62/372
5,564,288 A * 10/1996 Lewis 62/372
D453,893 S * 2/2002 Mount D7/608

D460,291 S * 7/2002 Miller et al. D6/436
6,415,623 B1 * 7/2002 Jennings et al. 62/457.2
6,920,995 B2 * 7/2005 Bowen et al. 220/592.1
D557,566 S * 12/2007 Linnane et al. D7/605
D652,264 S * 1/2012 Fuller D7/608
2007/0271947 A1 * 11/2007 Hase et al. 62/371

* cited by examiner

Primary Examiner — Terry Wallace

(74) *Attorney, Agent, or Firm* — Egbert Law Offices, PLLC

(57) **CLAIM**

The ornamental design for a tub cooler, as shown and described.

DESCRIPTION

FIG. 1 is a perspective view of the tub cooler showing my new design.

FIG. 2 is a front view thereof;

FIG. 3 is a rear view thereof;

FIG. 4 is a side view thereof;

FIG. 5 is an opposite side view thereof;

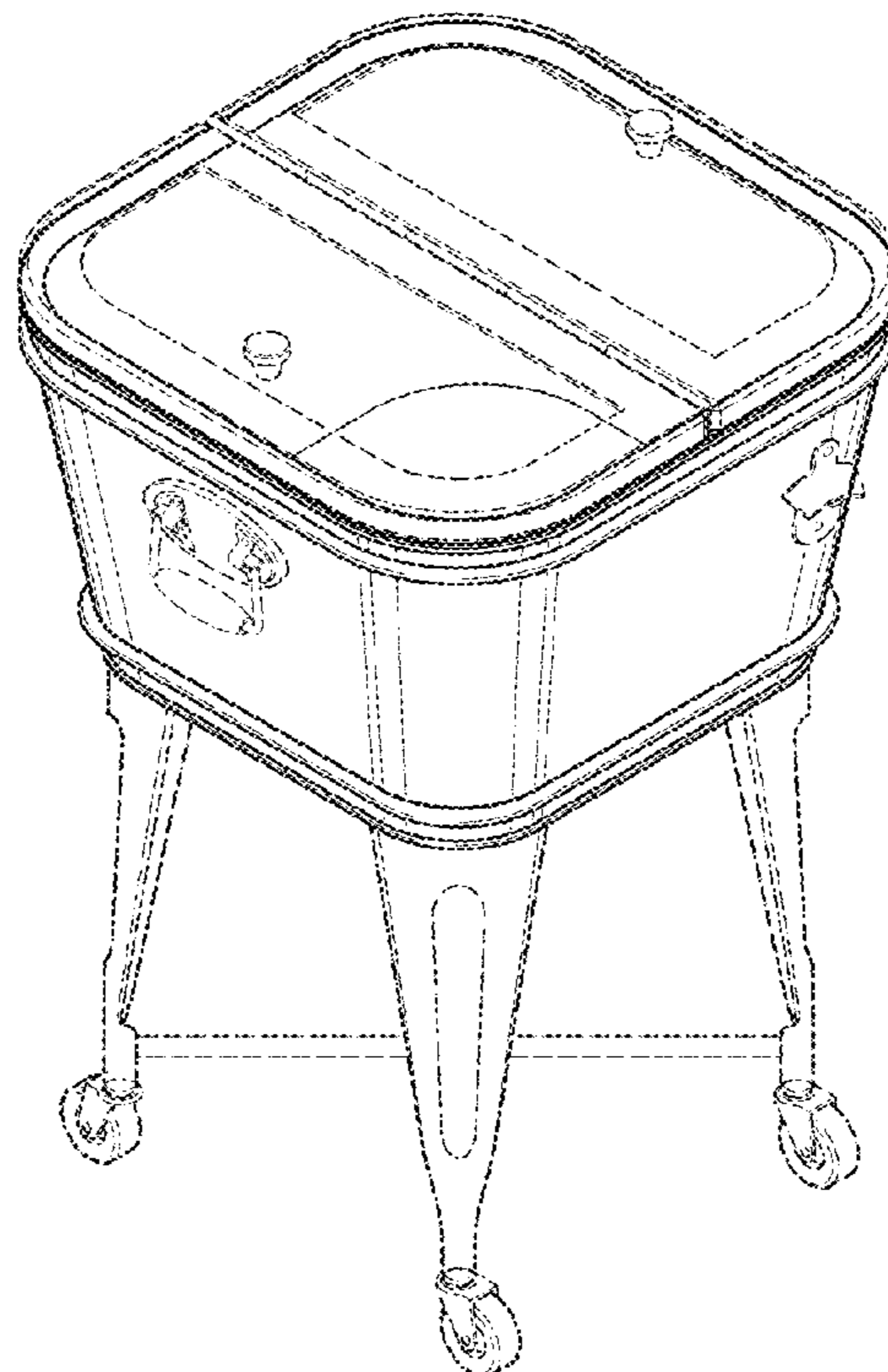
FIG. 6 is a top view thereof;

FIG. 7 is a bottom view thereof; and,

FIG. 8 is a perspective view of the tub cooler wherein the lid is removed.

The features presented in broken lines are for environmental purposes only and form no part of the claimed design.

1 Claim, 3 Drawing Sheets



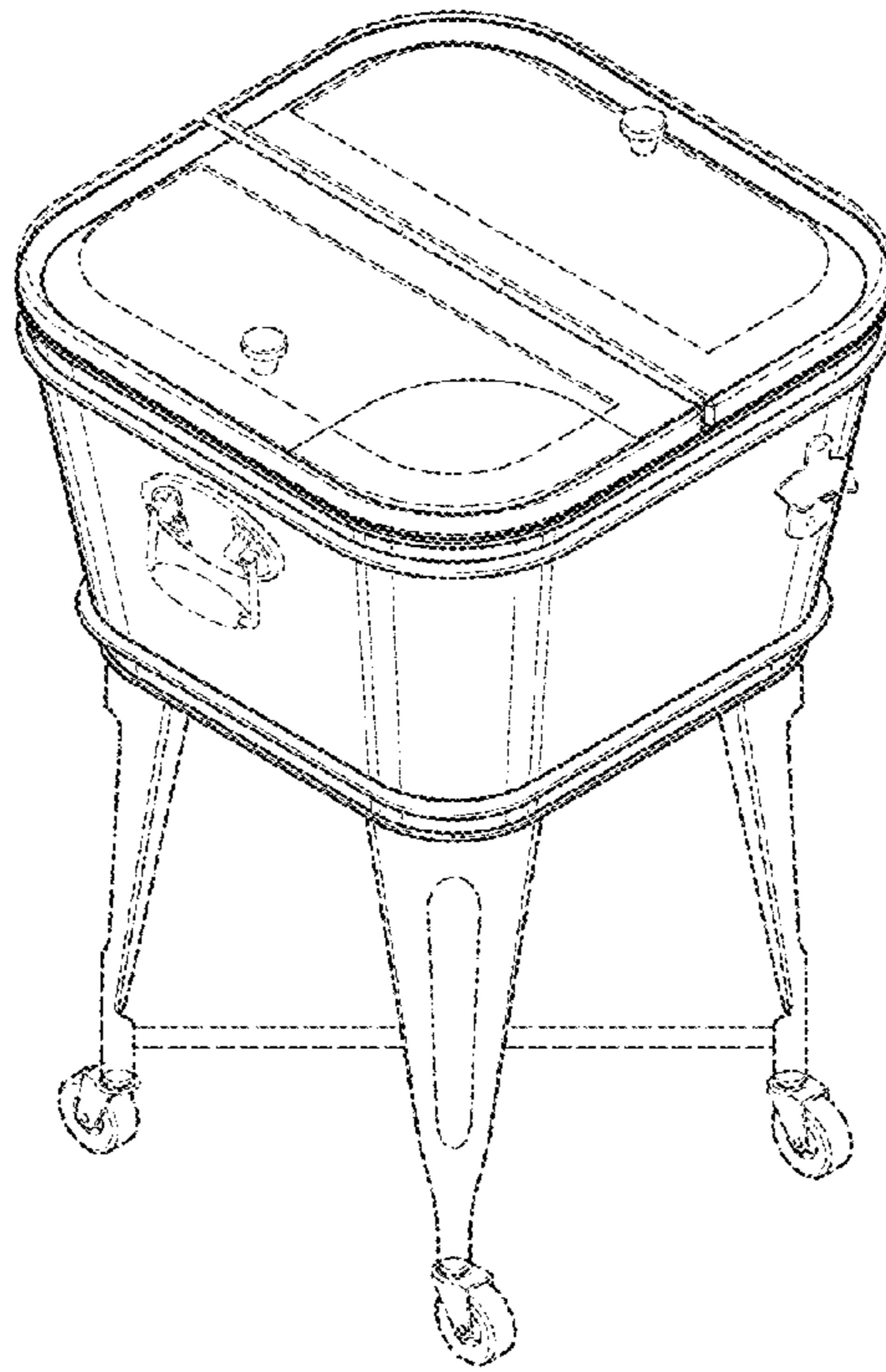


FIG. 1

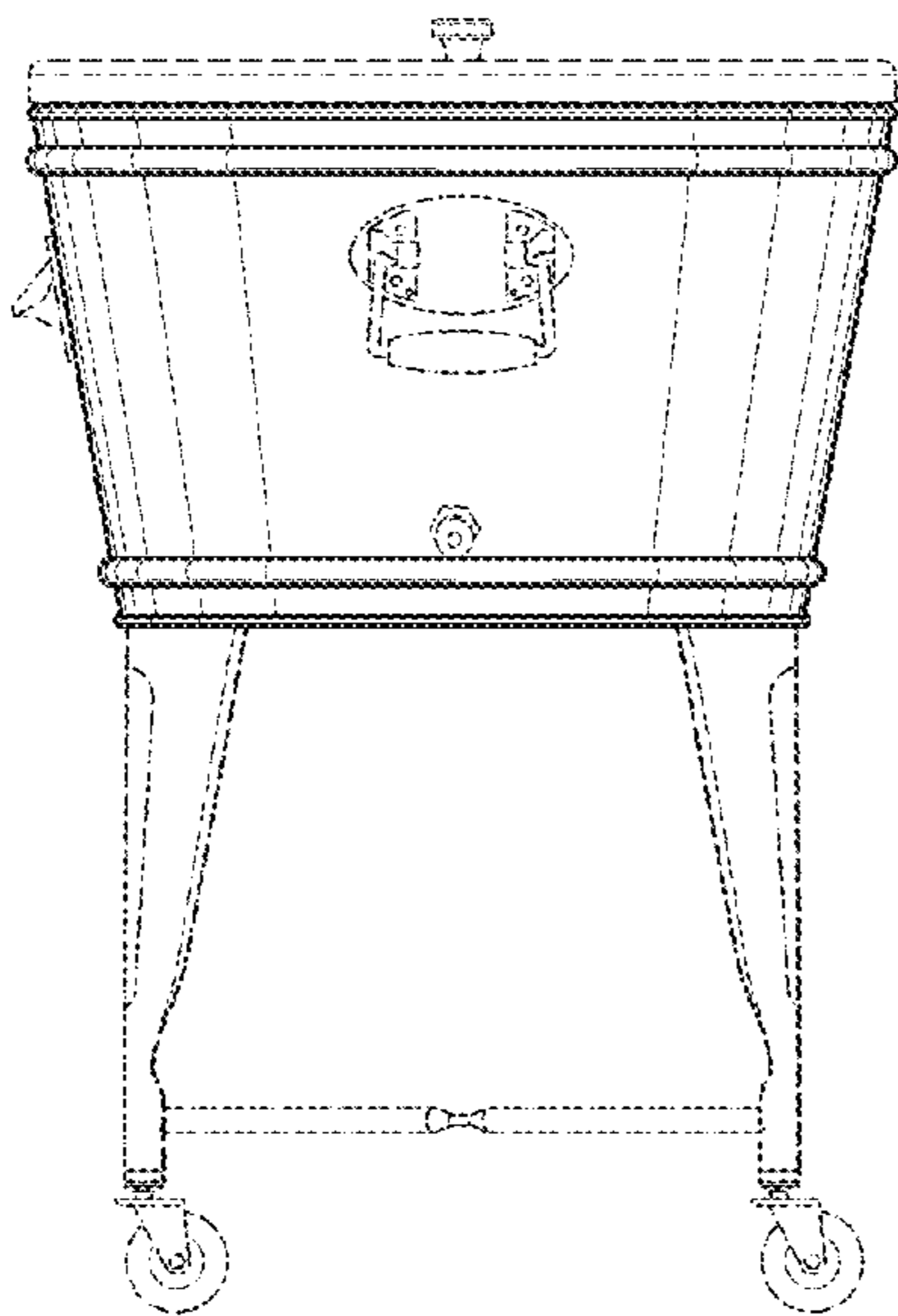


FIG. 2

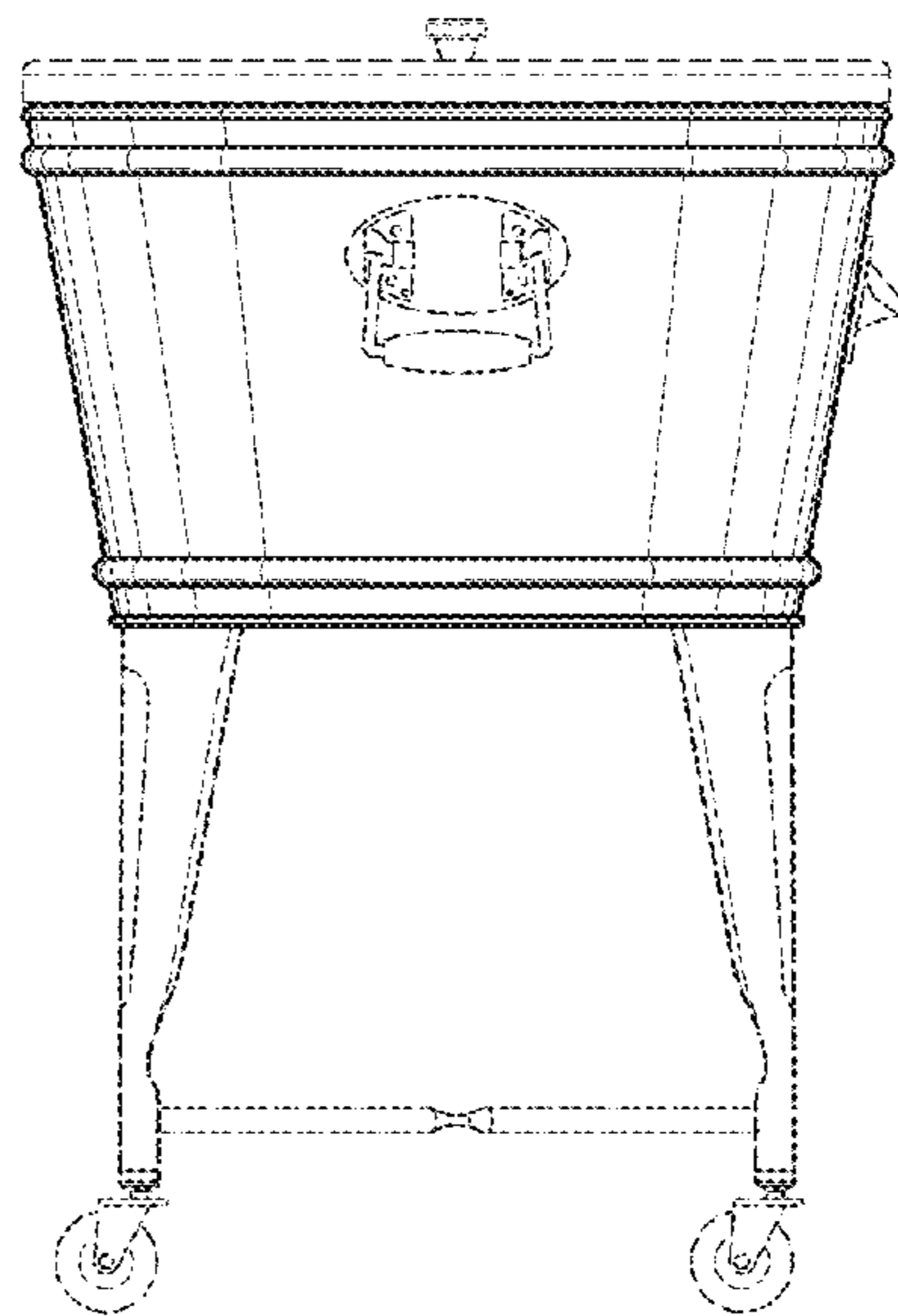


FIG. 3

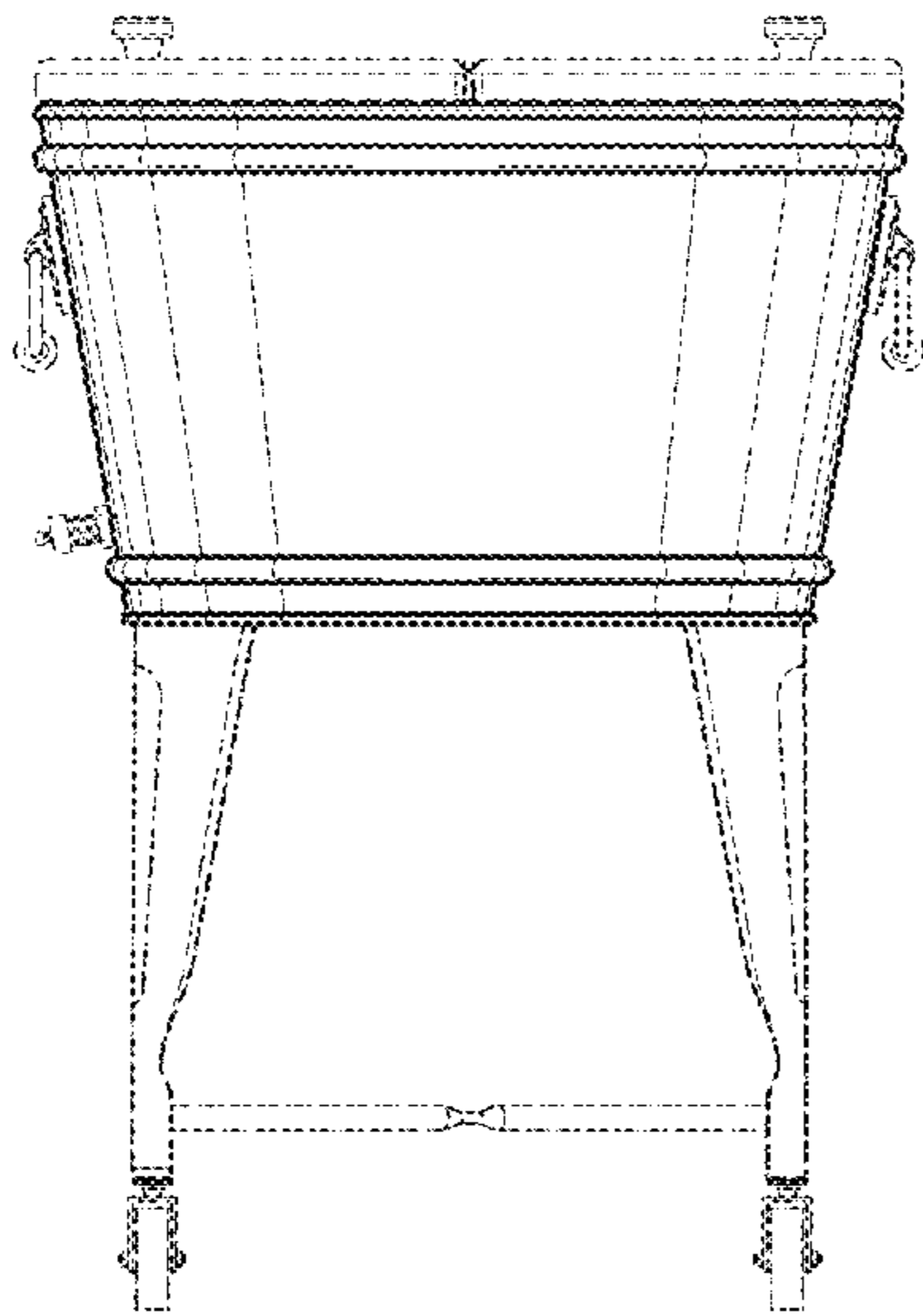


FIG. 4

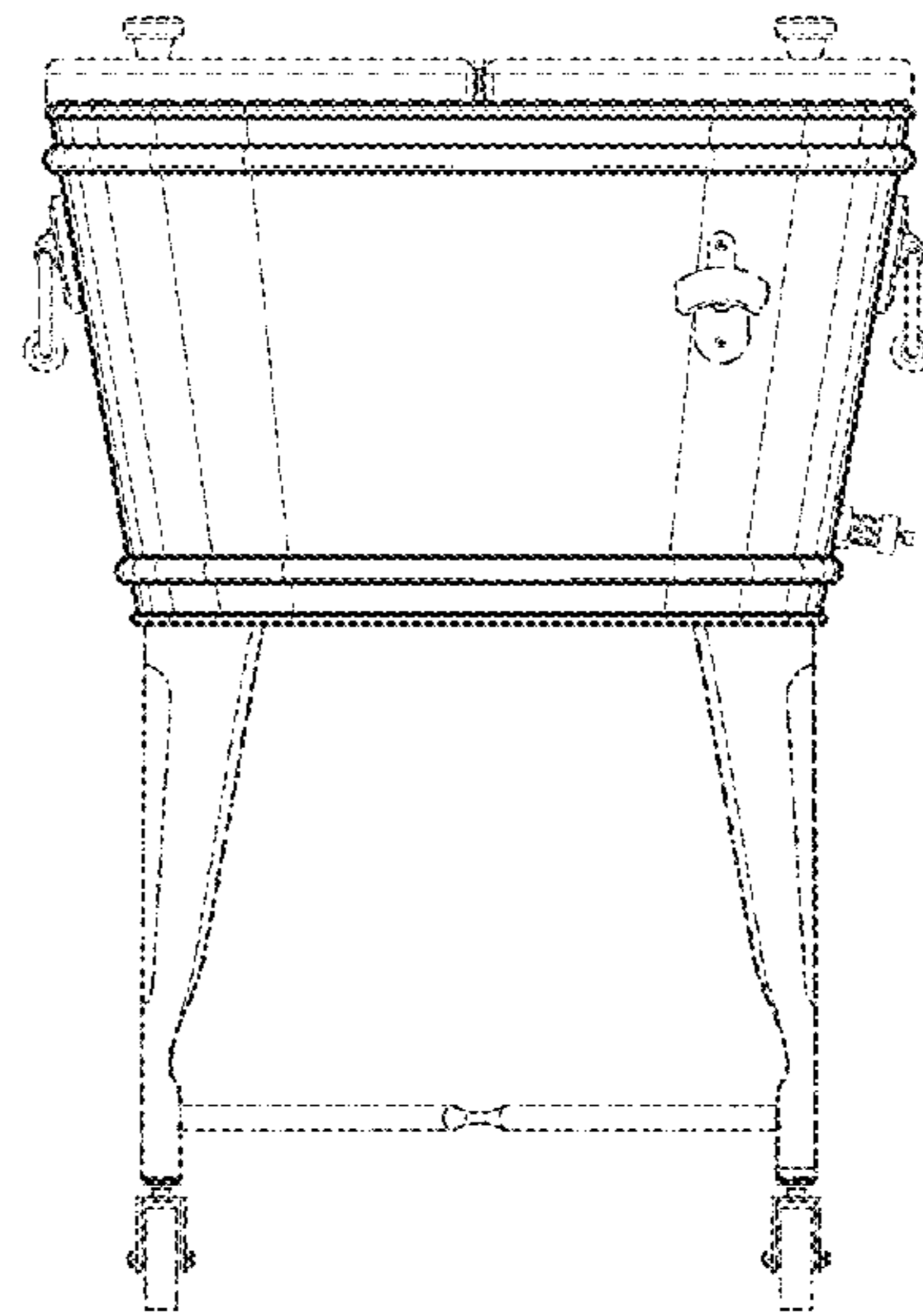


FIG. 5

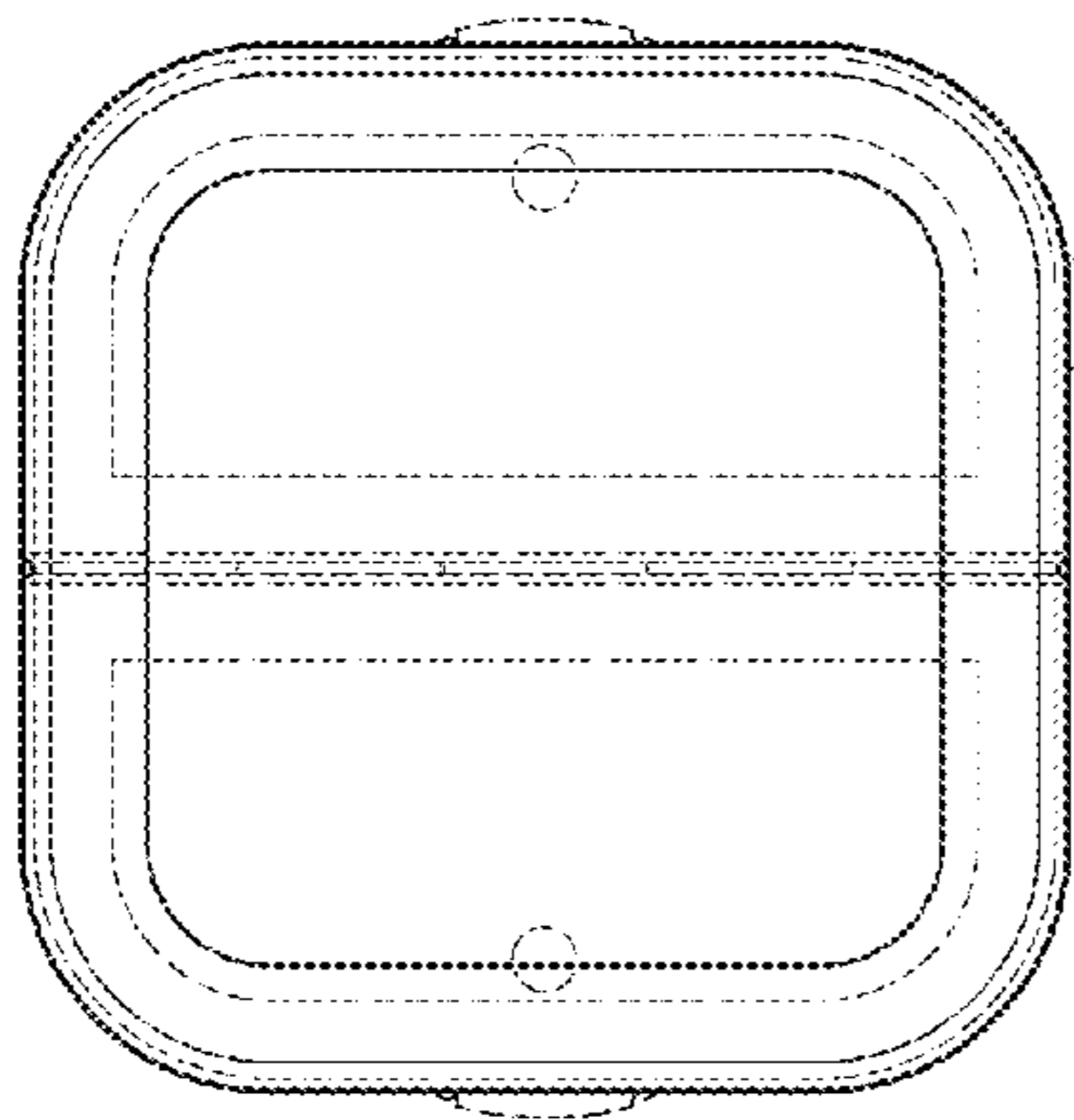


FIG. 6

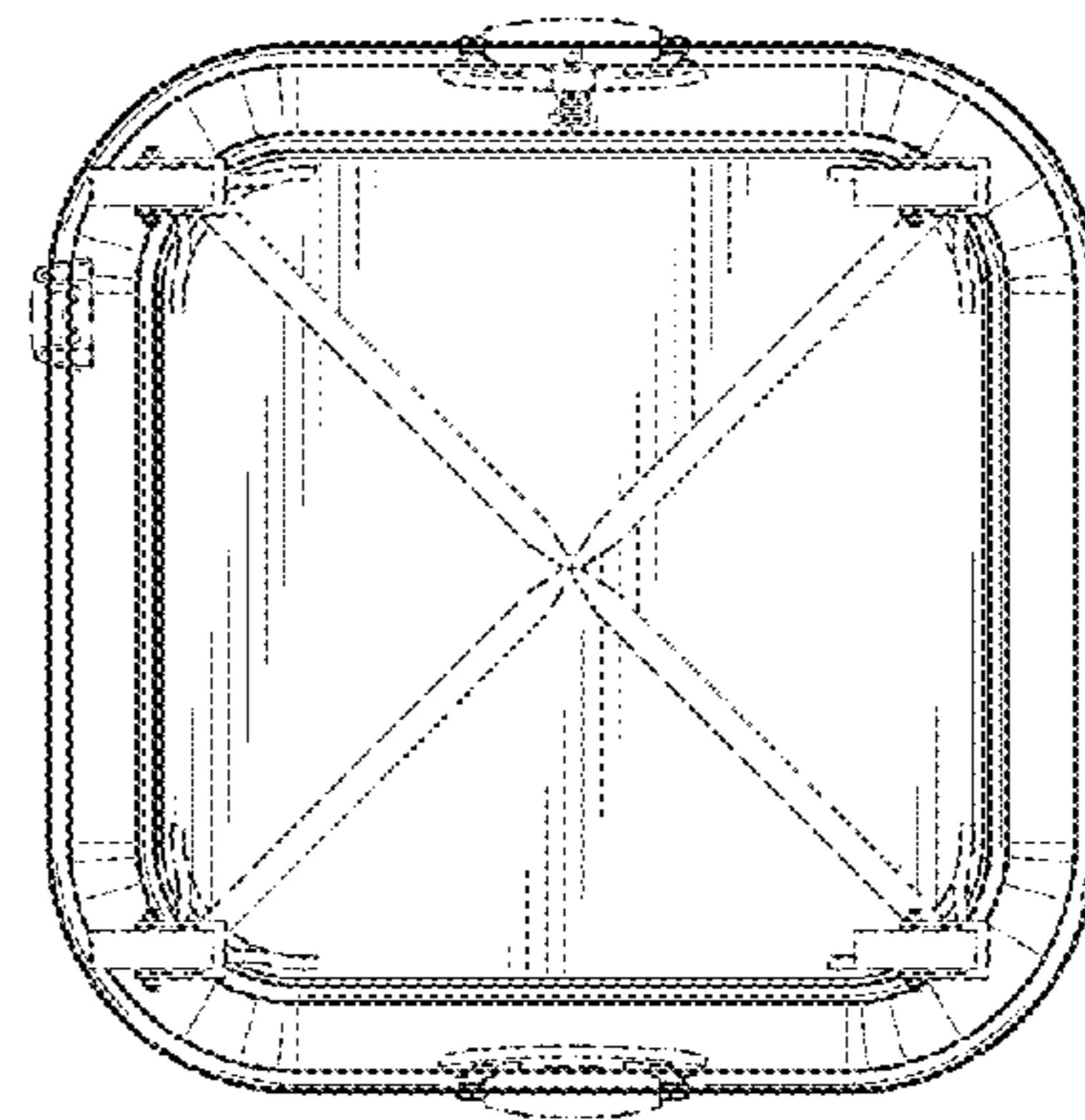


FIG. 7

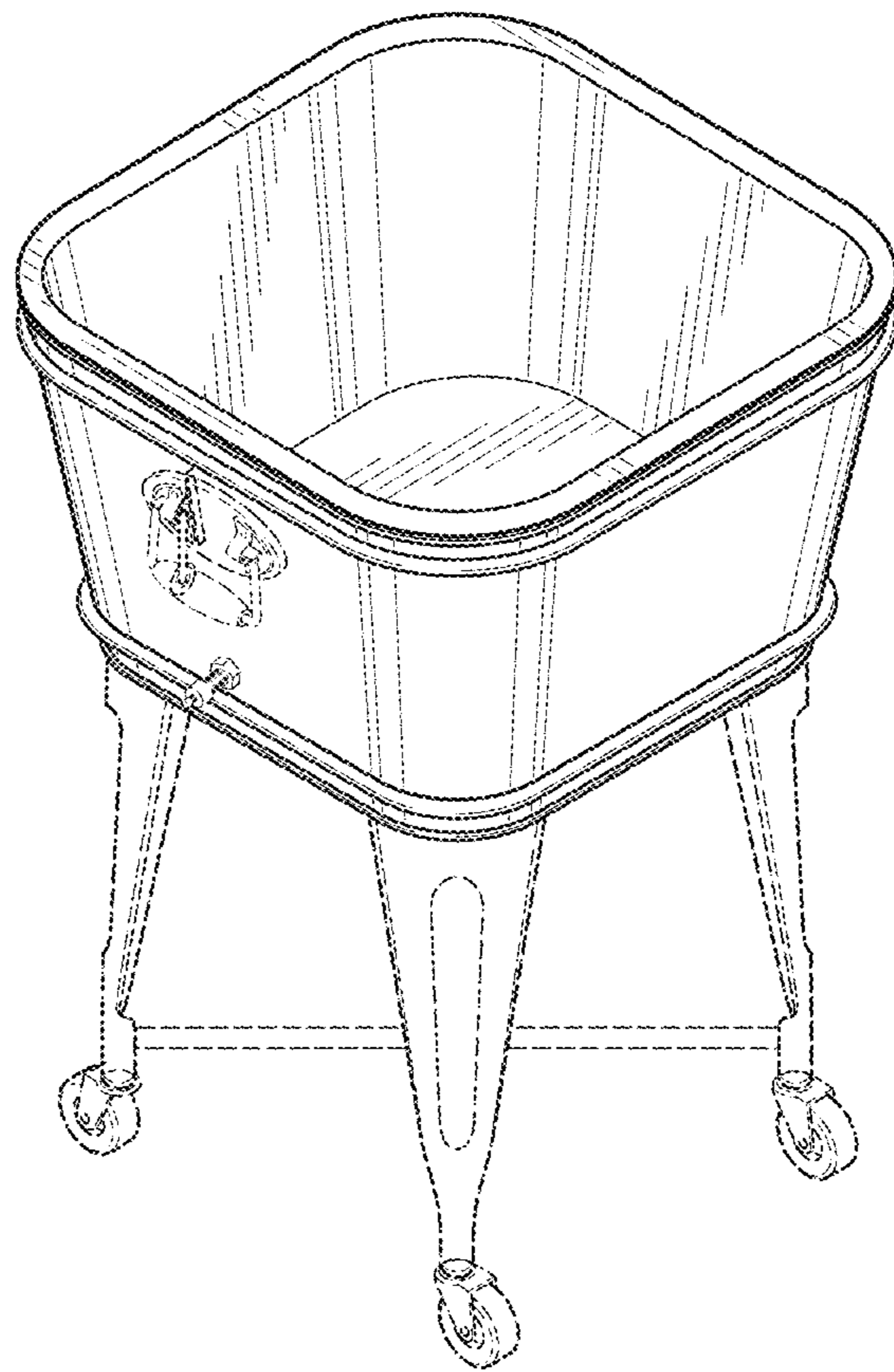


FIG. 8