



US00D722468S

(12) **United States Design Patent**
Yamamoto

(10) **Patent No.:** **US D722,468 S**

(45) **Date of Patent:** **** Feb. 17, 2015**

(54) **MICROWAVE OVEN WITH HEATER**

(71) Applicant: **Panasonic Corporation**, Kadoma-shi,
Osaka (JP)

(72) Inventor: **Tetsuya Yamamoto**, Shiga (JP)

(73) Assignee: **Panasonic Intellectual Property**
Management Co., Ltd., Osaka (JP)

(**) Term: **14 Years**

(21) Appl. No.: **29/496,089**

(22) Filed: **Jul. 9, 2014**

(30) **Foreign Application Priority Data**

Jan. 14, 2014 (JP) 2014-000421

(51) **LOC (10) Cl.** **07-02**

(52) **U.S. Cl.**
USPC **D7/351**

(58) **Field of Classification Search**
USPC D7/350.1–350.4, 351, 402, 405, 406;
126/19 R, 19 M, 41 R; 219/391, 725,
219/756–758; 99/DIG. 14

See application file for complete search history.

(56) **References Cited**

U.S. PATENT DOCUMENTS

D276,122 S *	10/1984	Tanaka et al.	D7/351
D481,582 S *	11/2003	Seum et al.	D7/350.1
D533,391 S *	12/2006	Foray et al.	D7/351
D539,073 S *	3/2007	Kanza	D7/351
D540,106 S *	4/2007	Jeon	D7/351
D568,675 S *	5/2008	Kawata	D7/350.1
D606,799 S *	12/2009	Saunders	D7/351

* cited by examiner

Primary Examiner — Ruth McInroy

(74) *Attorney, Agent, or Firm* — Brinks Gilson & Liono

(57) **CLAIM**

I claim the ornamental design for a microwave oven with heater, as shown and described.

DESCRIPTION

FIG. 1 is a front perspective view of a microwave oven with heater of the present invention;

FIG. 2 is a front view thereof;

FIG. 3 is a top view thereof;

FIG. 4 is a bottom view thereof;

FIG. 5 is a first side view thereof;

FIG. 6 is a second side view thereof; and,

FIG. 7 is a rear view thereof.

The broken lines shown represent unclaimed subject matter and form no part of the claimed design.

1 Claim, 4 Drawing Sheets

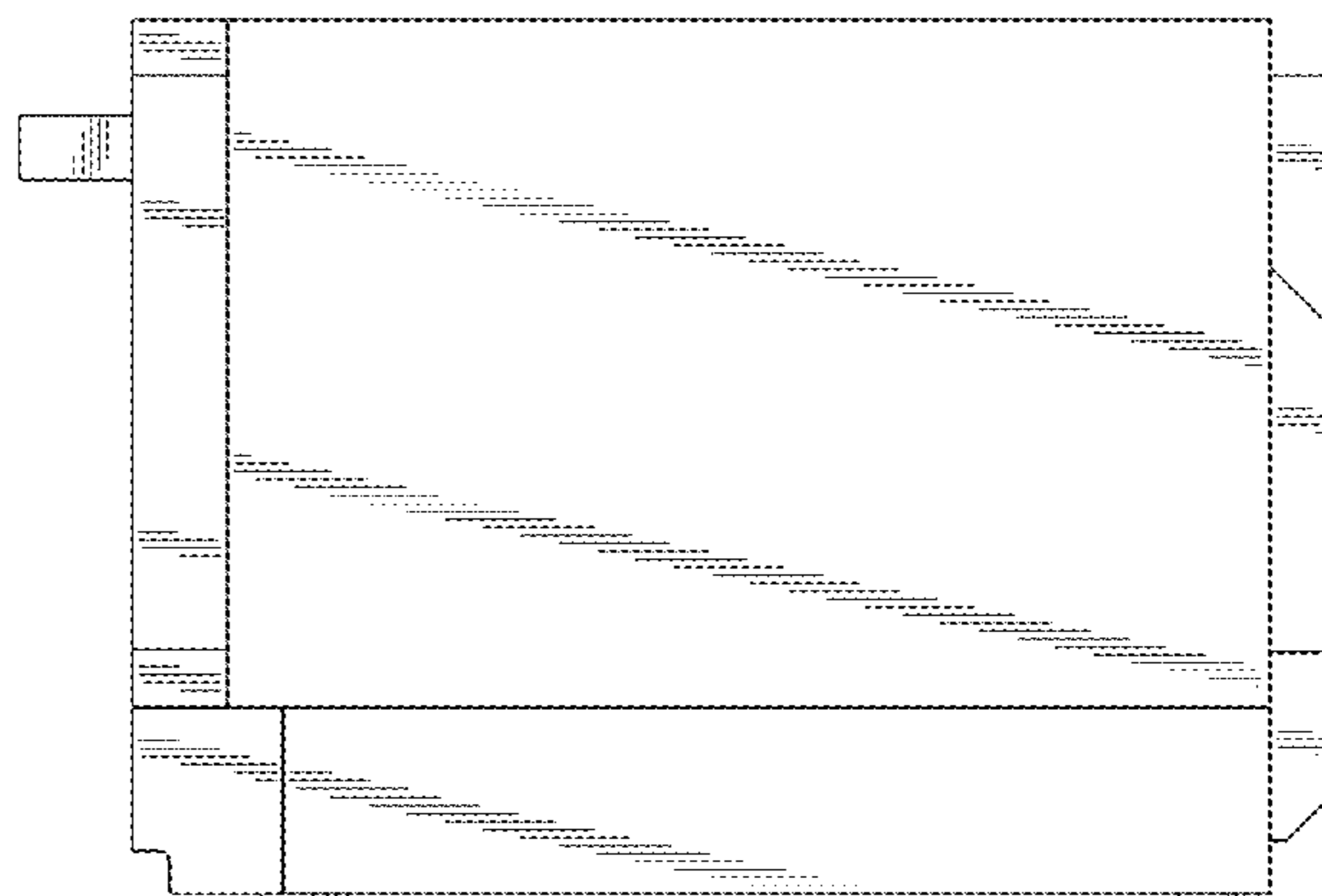
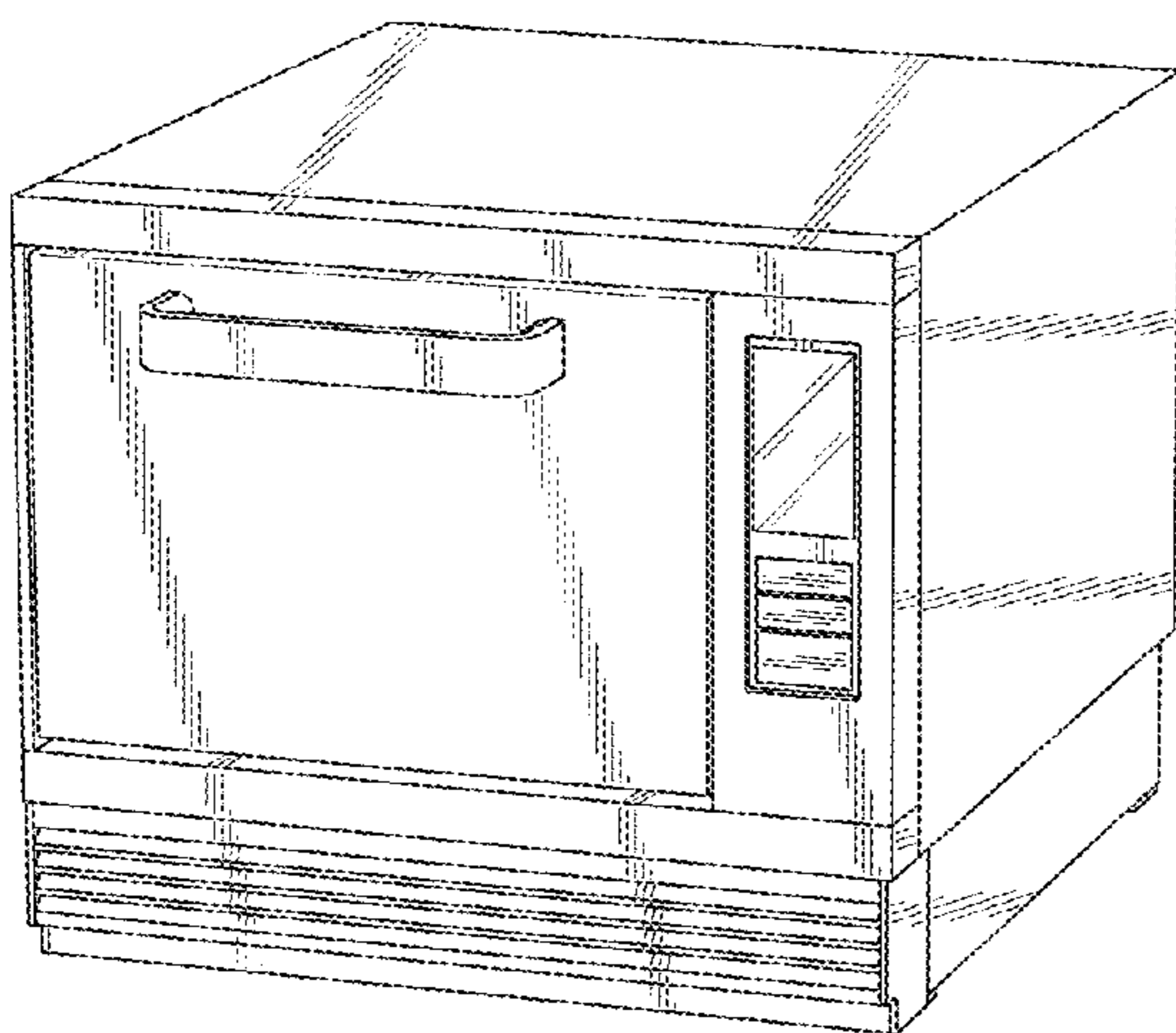


FIG. 1

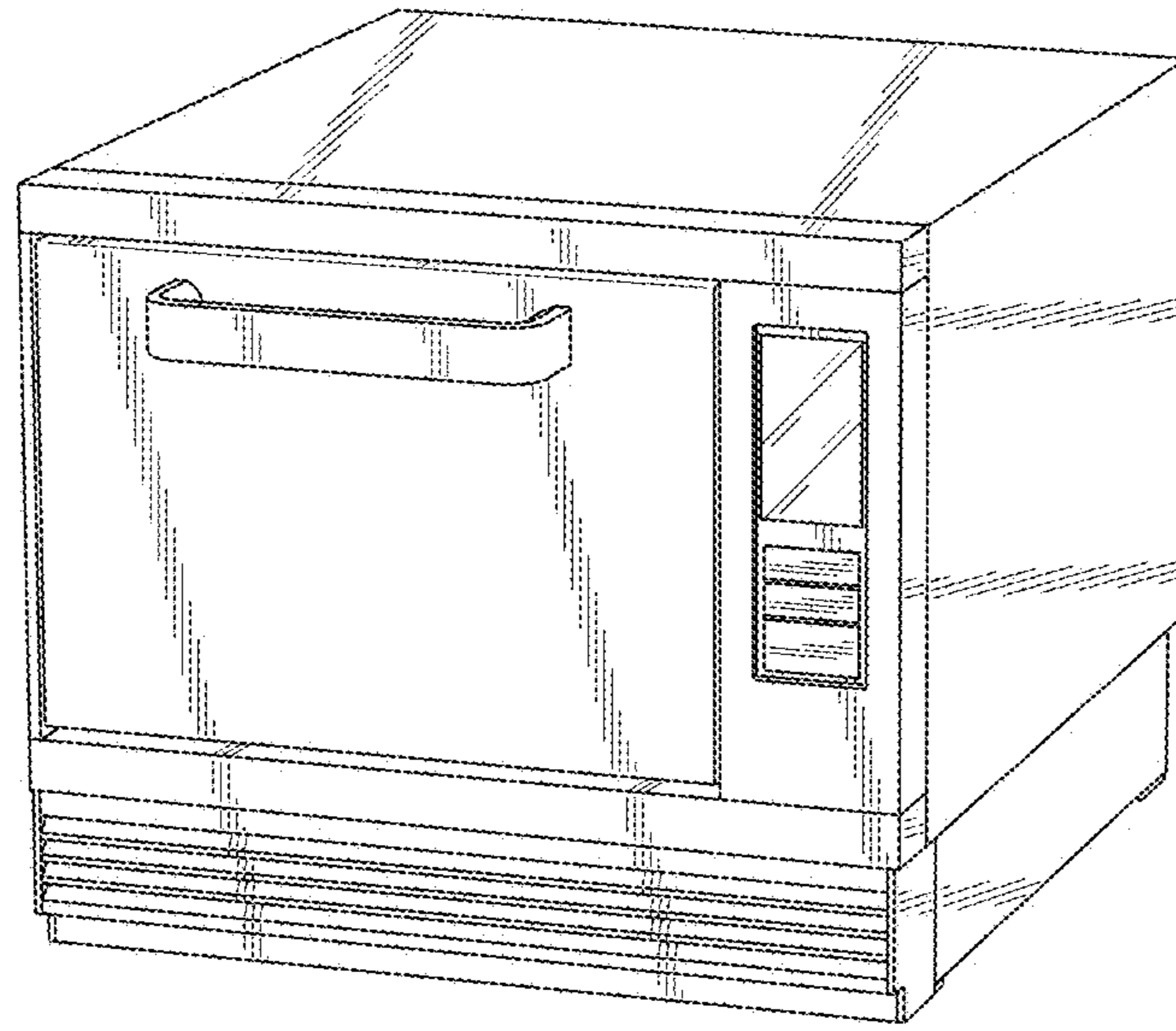


FIG. 2

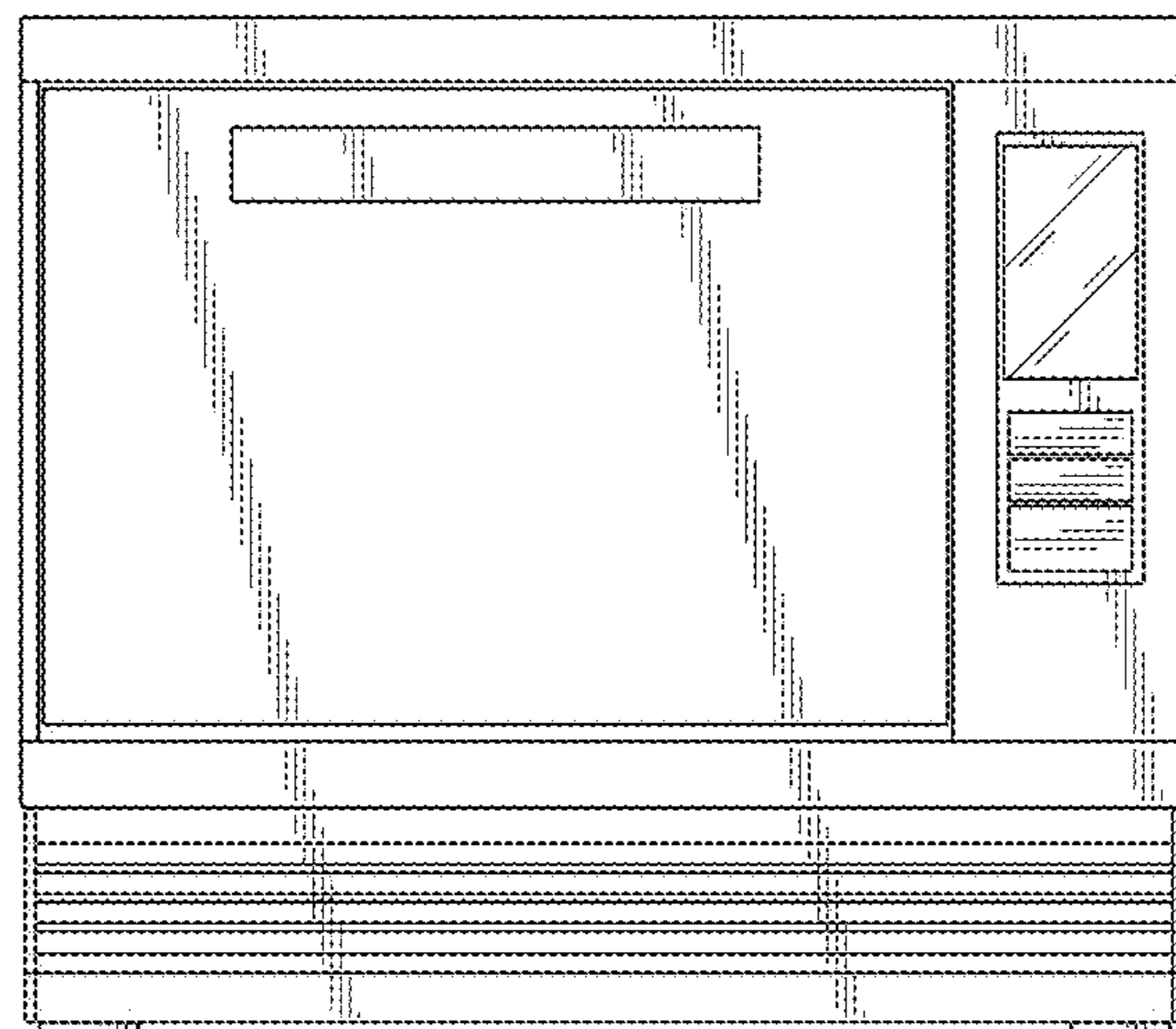


FIG.3

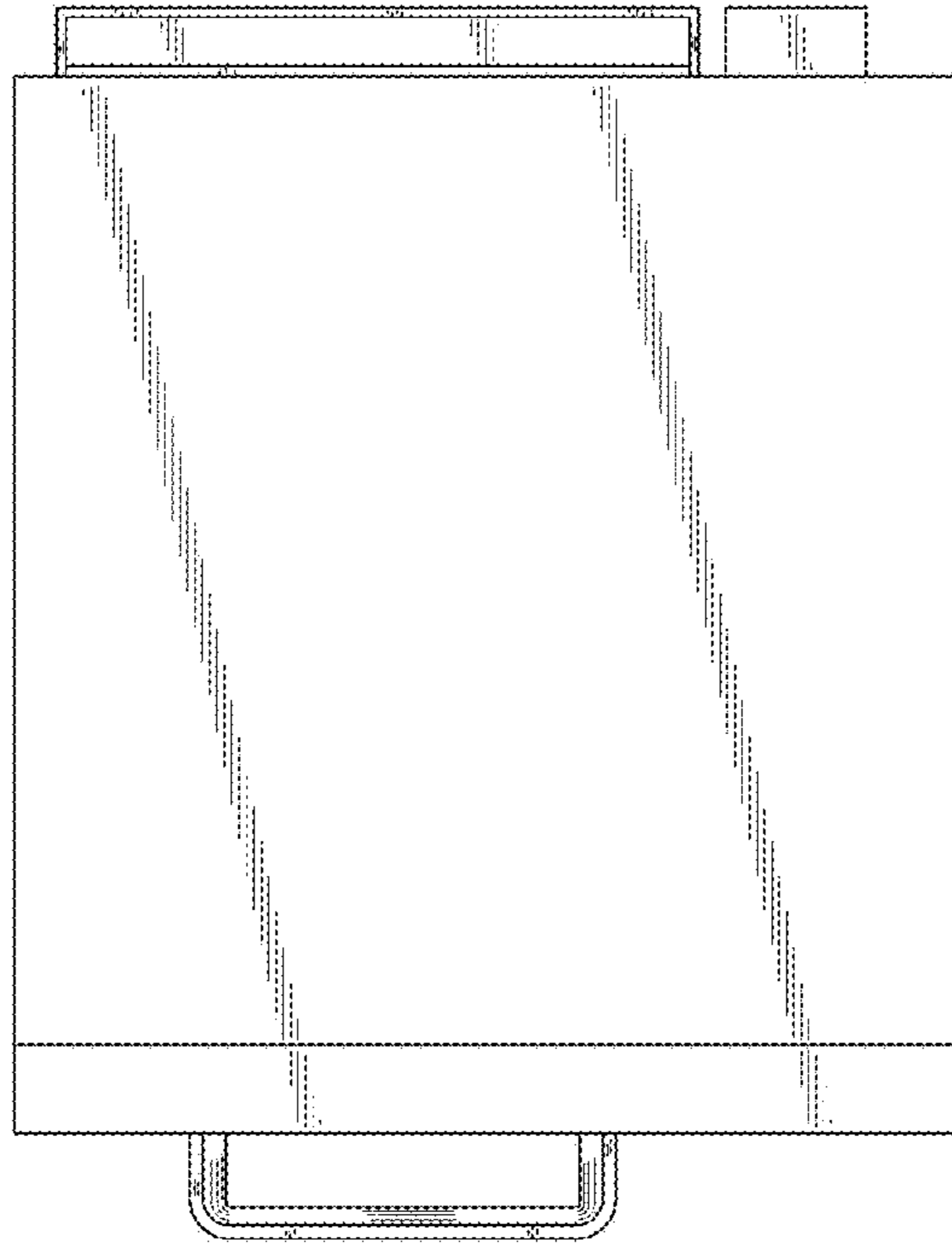


FIG.4

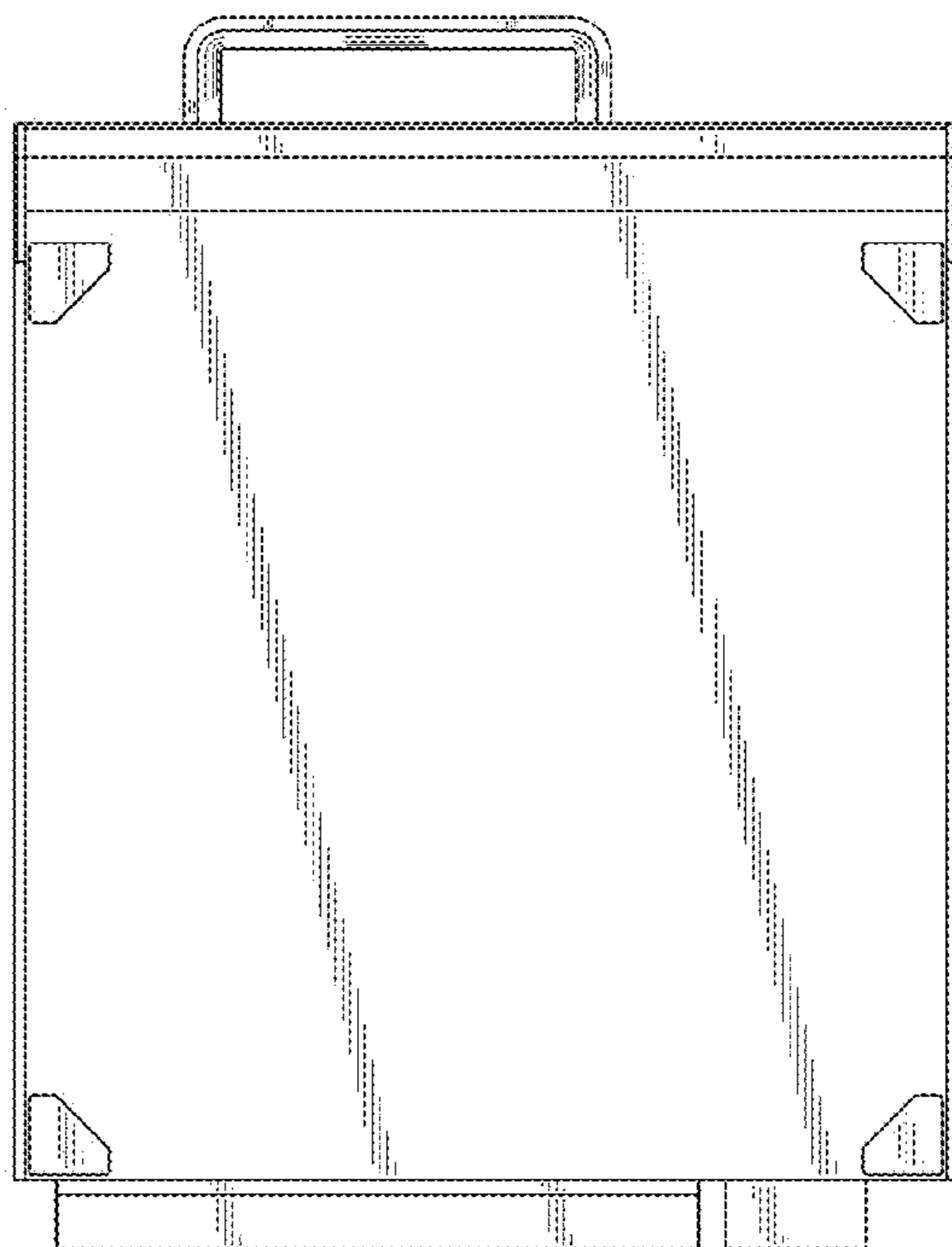


FIG.5

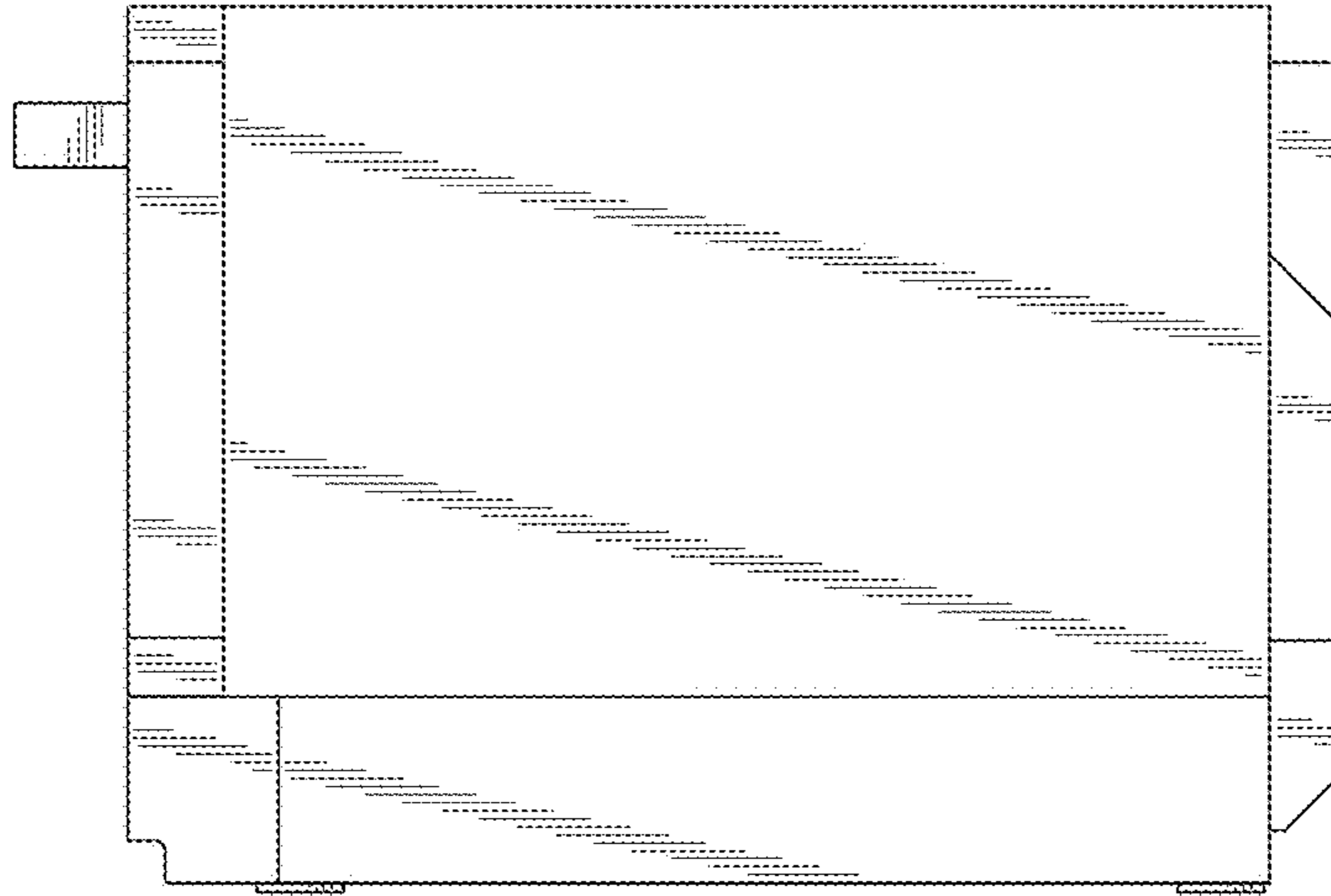


FIG.6

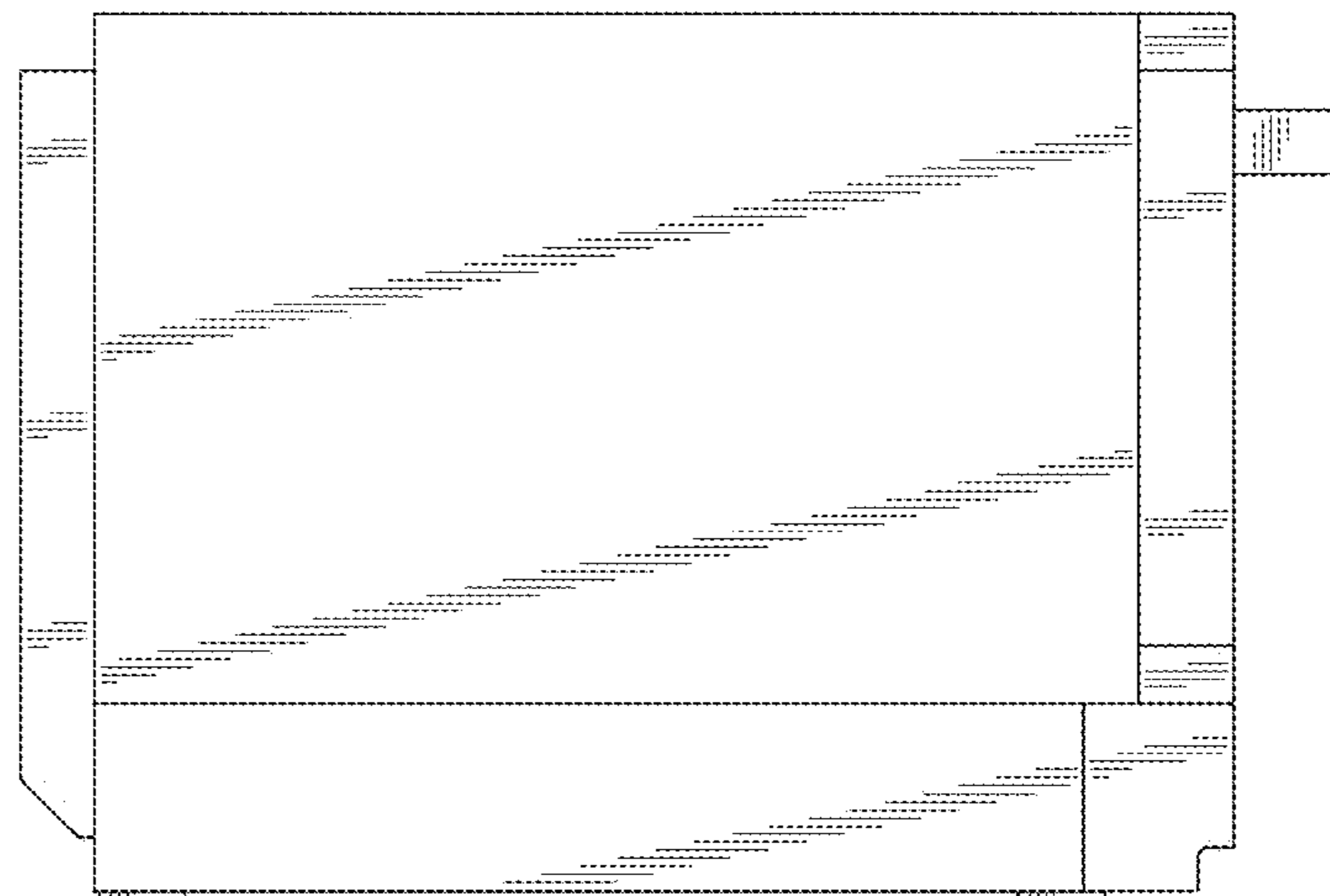


FIG. 7

