



US00D722467S

(12) **United States Design Patent**
Chung

(10) **Patent No.:** **US D722,467 S**

(45) **Date of Patent:** **** Feb. 17, 2015**

(54) **BARBECUE GRILL**

(71) Applicant: **Kiosky Chung**, Taichung (TW)

(72) Inventor: **Kiosky Chung**, Taichung (TW)

(**) Term: **14 Years**

(21) Appl. No.: **29/475,874**

(22) Filed: **Dec. 7, 2013**

(51) **LOC (10) Cl.** **07-05**

(52) **U.S. Cl.**
USPC **D7/337**

(58) **Field of Classification Search**
USPC D7/332, 334–337, 402–405, 362, 367;
99/481–482, 449, 340; 431/206;
126/19 M, 19 R, 39 R, 39 H, 39 B, 25 R,
126/43, 41 R, 9 R, 38, 37 R, 40, 50
See application file for complete search history.

(56) **References Cited**

U.S. PATENT DOCUMENTS

D455,598 S	*	4/2002	Pai	D7/337
D464,844 S	*	10/2002	Pai	D7/337
D513,149 S	*	12/2005	Zhang	D7/337
D549,038 S	*	8/2007	Chung	D7/337
D600,970 S	*	9/2009	Chung	D7/337

D630,464 S	*	1/2011	Chung	D7/337
D653,898 S	*	2/2012	Chung	D7/337
D653,899 S	*	2/2012	Chung	D7/337
D657,988 S	*	4/2012	Chung	D7/337
D676,702 S	*	2/2013	Chung	D7/337
D677,111 S	*	3/2013	Chung	D7/337

* cited by examiner

Primary Examiner — Ruth McInroy

(57) **CLAIM**

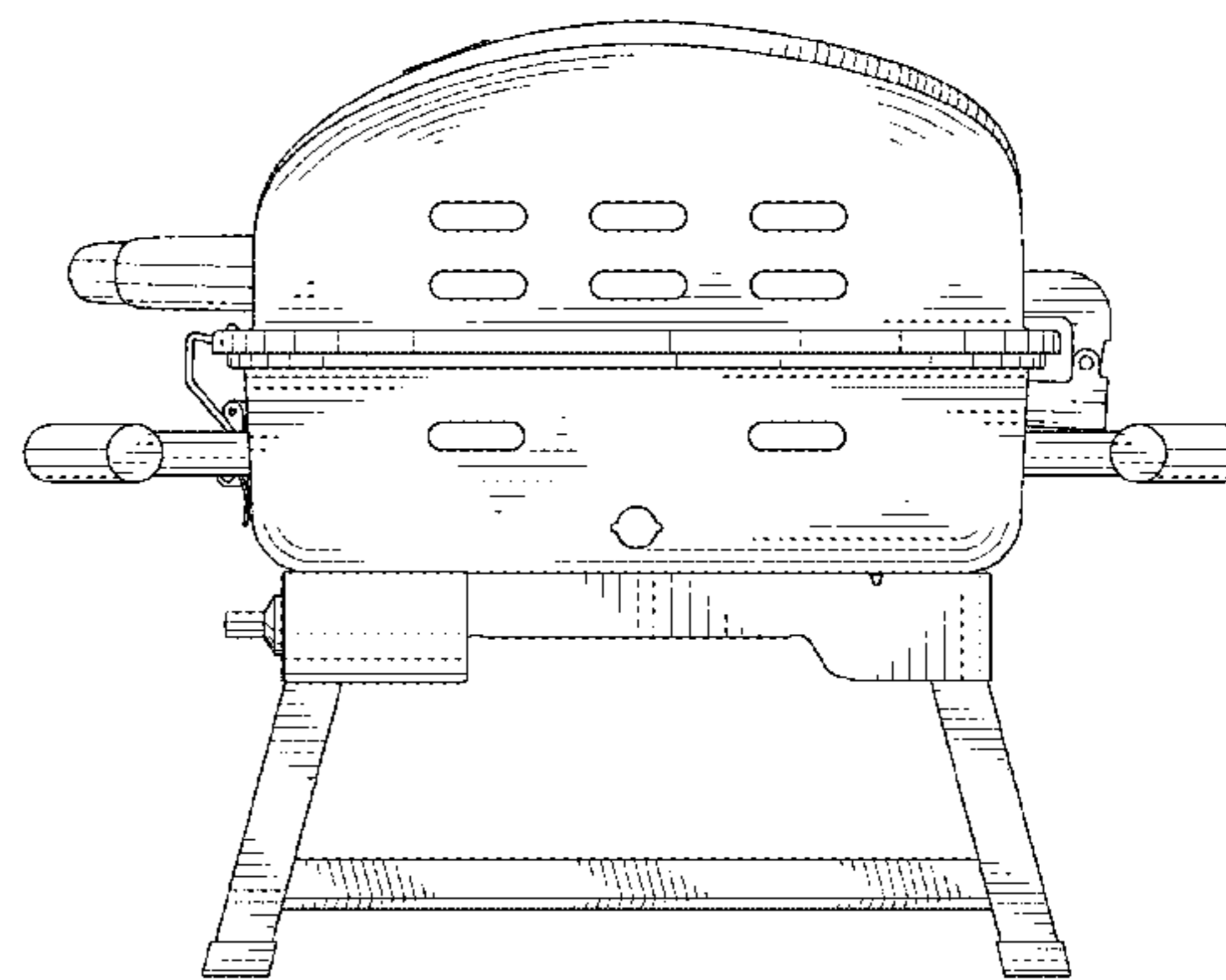
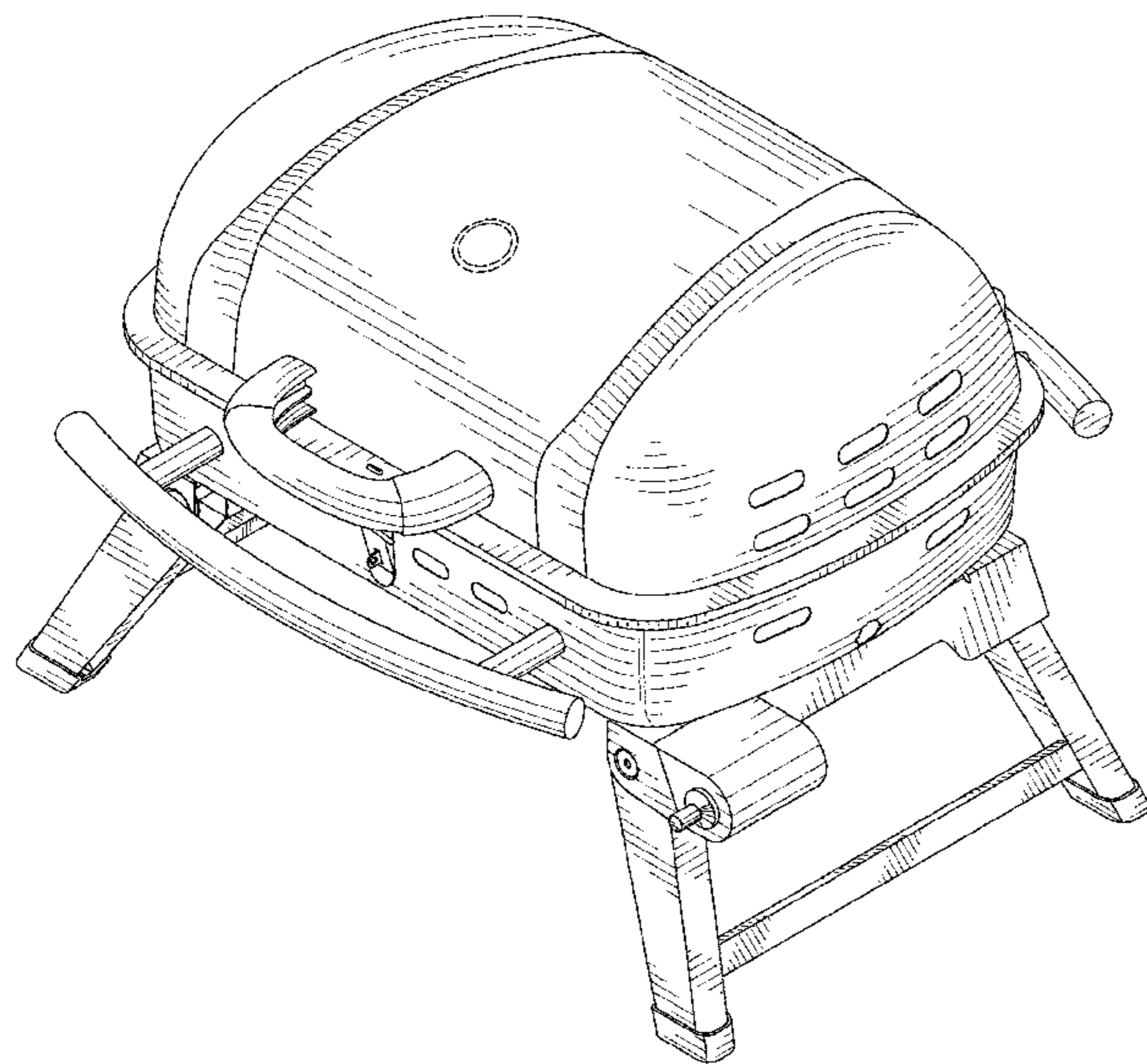
I claim the ornamental design for a barbecue grill, as shown and described.

DESCRIPTION

FIG. 1 is a perspective view of a barbecue grill, showing my new design;
FIG. 2 is a front elevational view thereof;
FIG. 3 is a rear elevational view thereof;
FIG. 4 is a left side elevational view thereof;
FIG. 5 is a right side elevational view thereof;
FIG. 6 is a top plan view thereof; and,
FIG. 7 is a bottom plan view thereof.

The broken lines shown in the drawings are for the purpose of illustrating unclaimed portions of the barbecue grill and form no part of the claimed design.

1 Claim, 7 Drawing Sheets



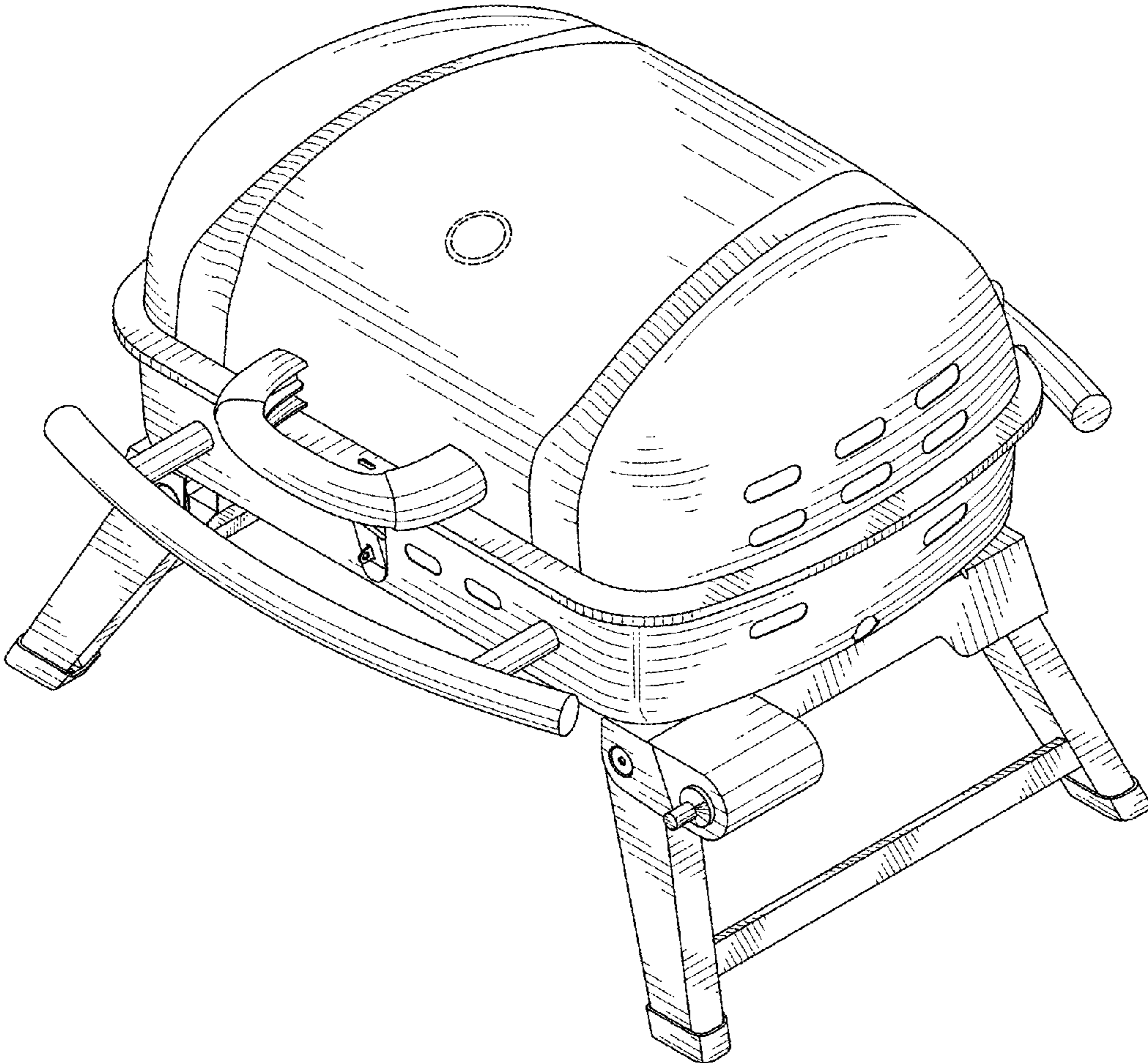


FIG.1

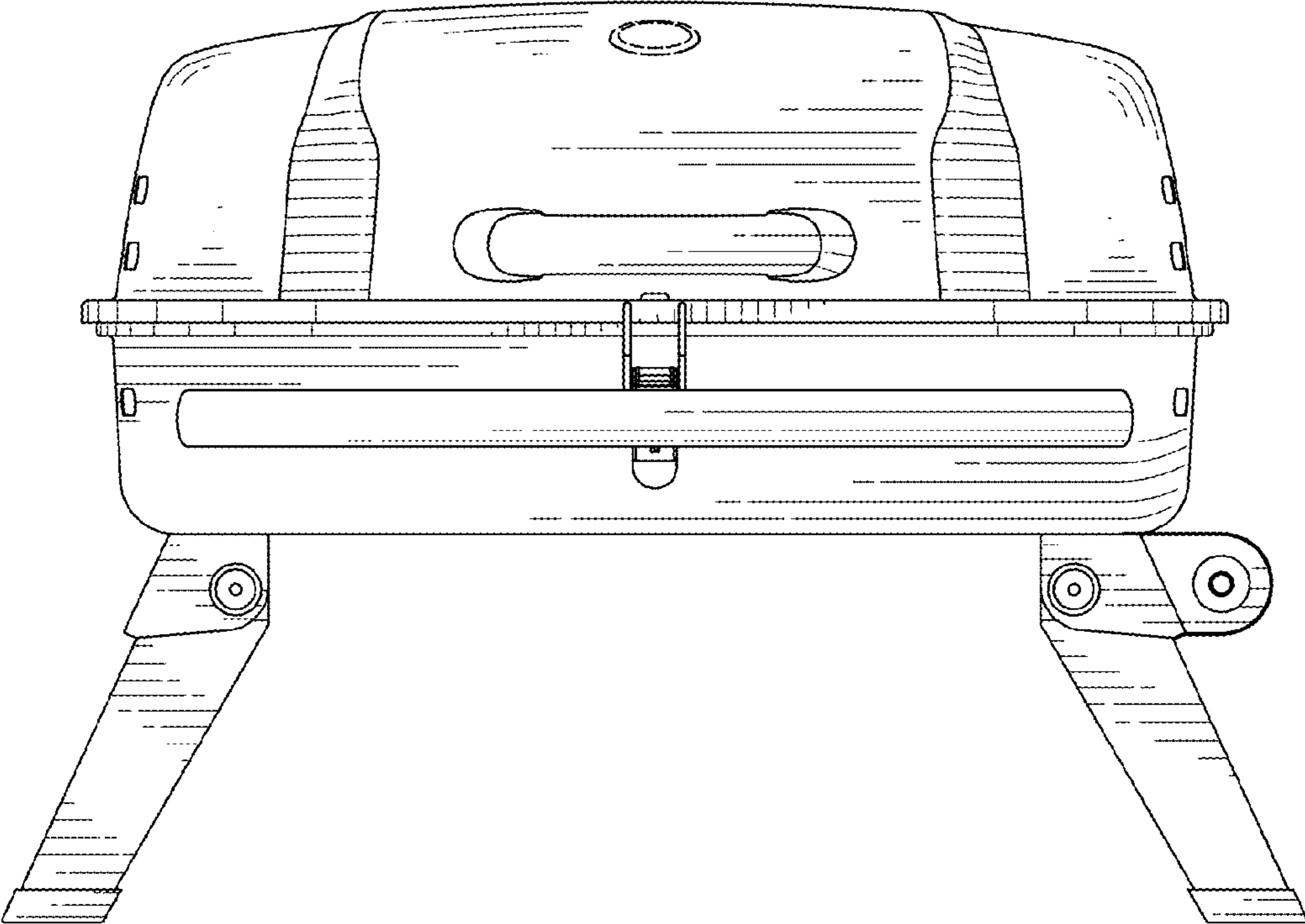


FIG.2

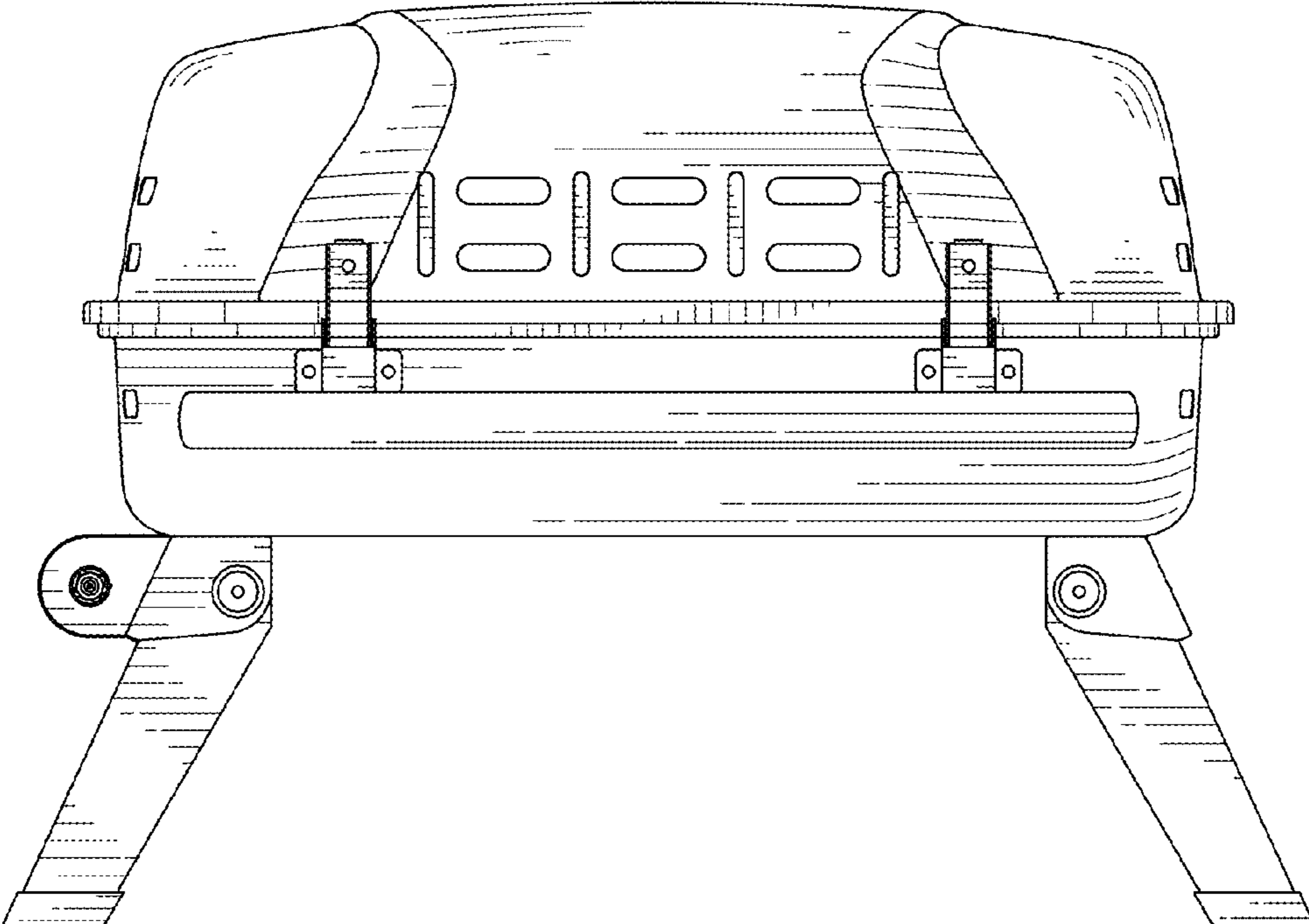


FIG.3

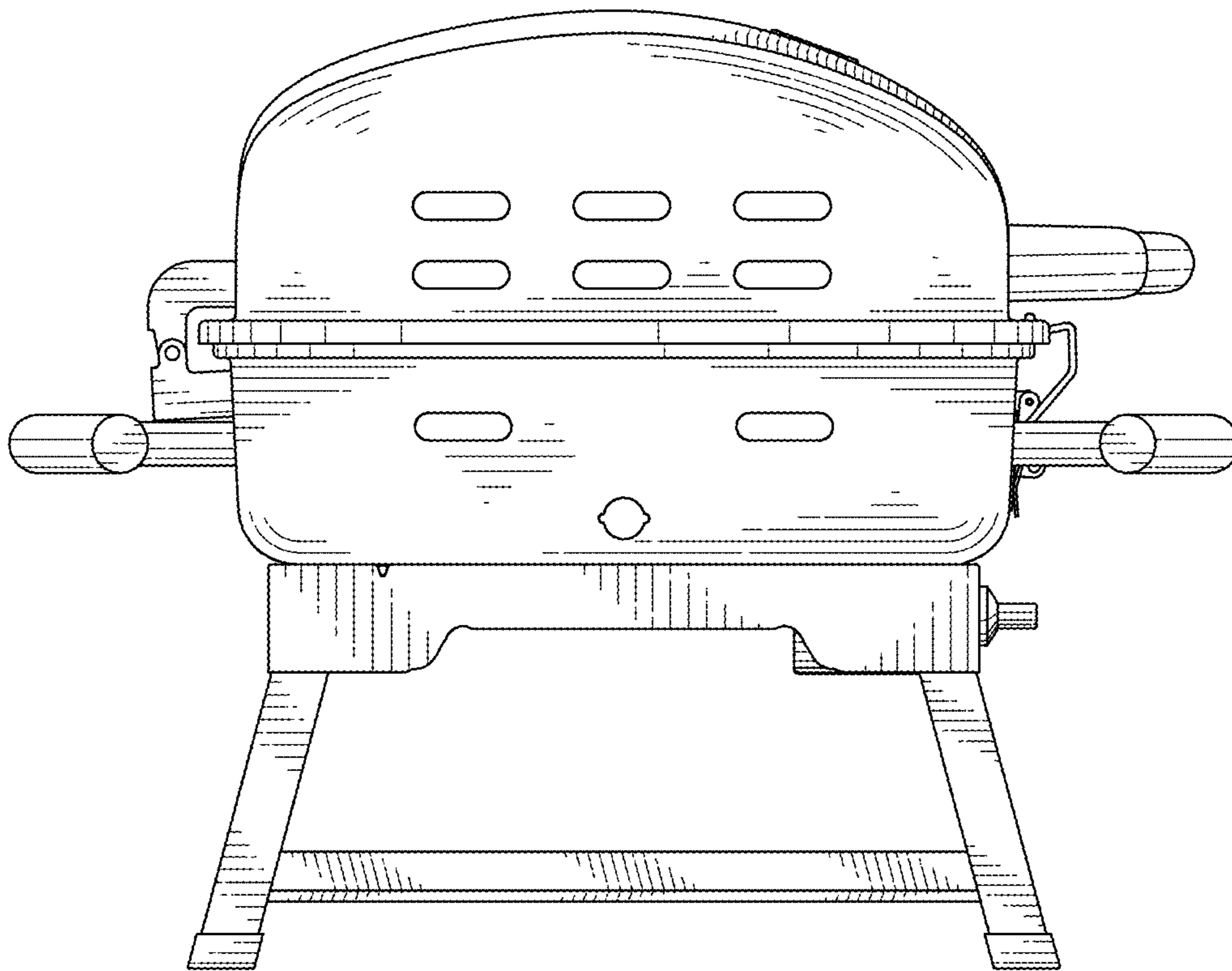


FIG.4

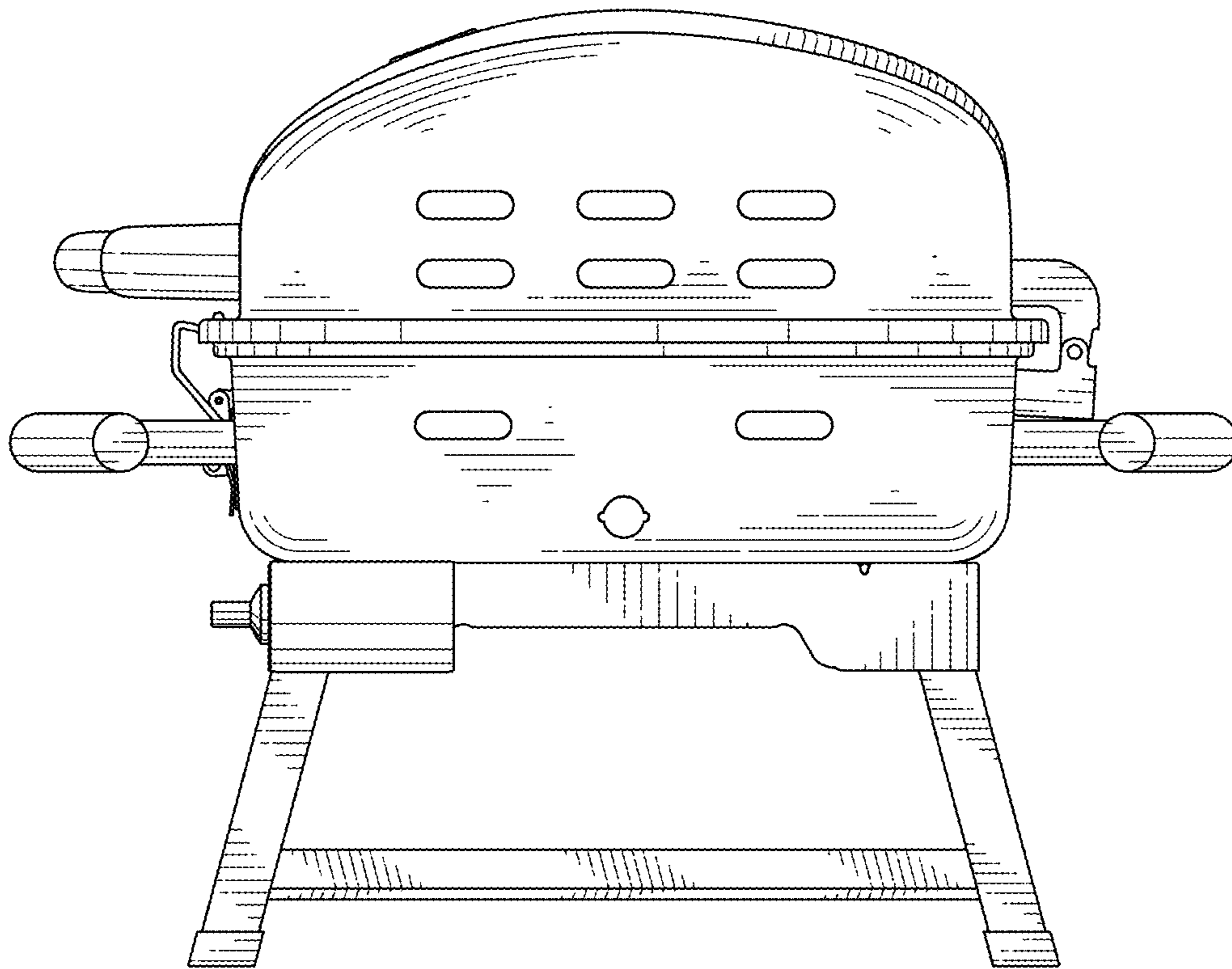


FIG.5

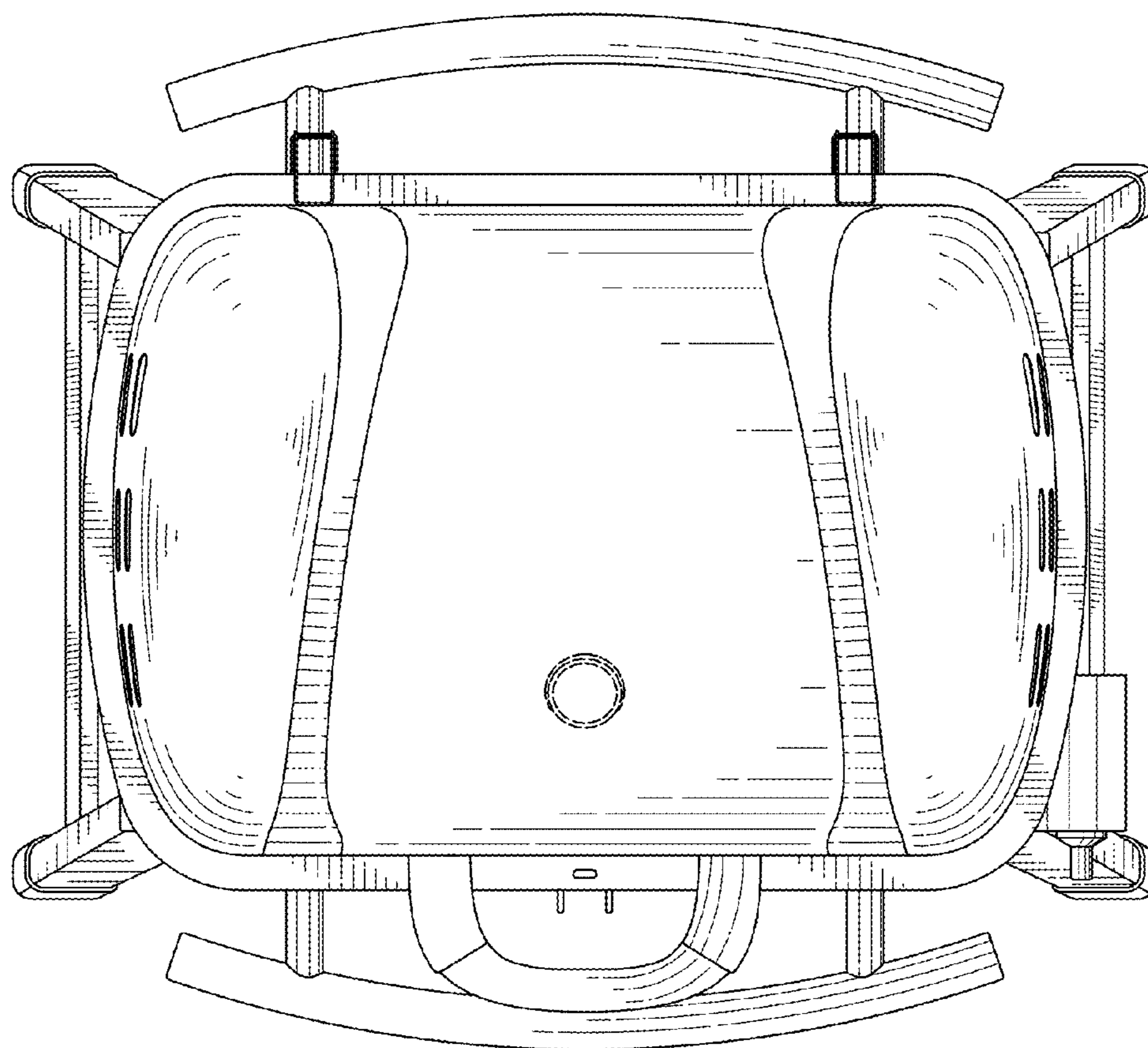


FIG.6

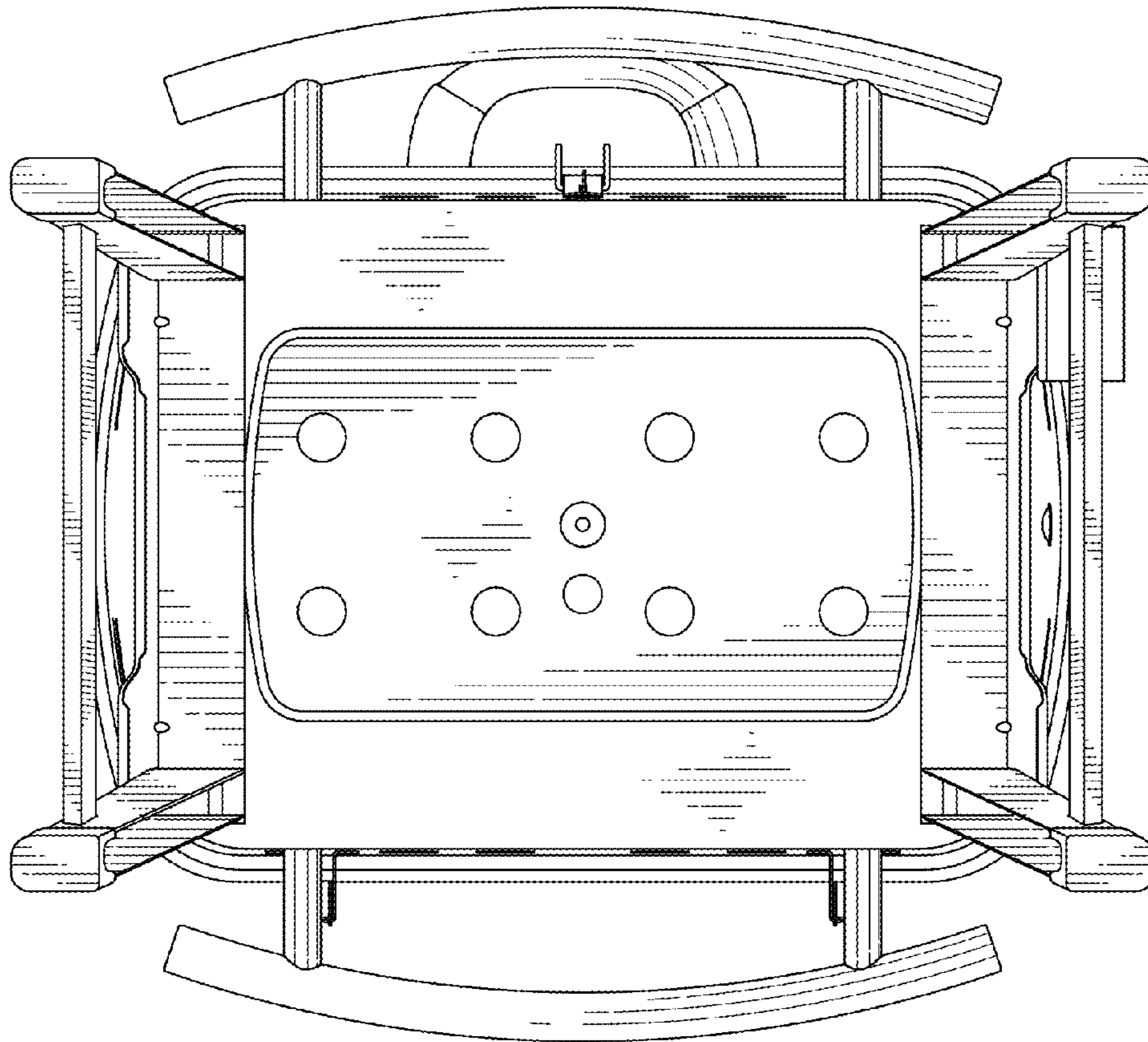


FIG.7