



US00D722466S

(12) **United States Design Patent**  
**Zamora**

(10) **Patent No.:** **US D722,466 S**  
(45) **Date of Patent:** **\*\* Feb. 17, 2015**

(54) **BARBEQUE TRAILER**

(71) Applicant: **Rene E. Zamora**, San Martin, CA (US)

(72) Inventor: **Rene E. Zamora**, San Martin, CA (US)

(\*\*) Term: **14 Years**

(21) Appl. No.: **29/462,372**

(22) Filed: **Aug. 1, 2013**

(51) **LOC (10) Cl.** ..... **07-02**

(52) **U.S. Cl.**  
USPC ..... **D7/334**

(58) **Field of Classification Search**

CPC ..... A47J 37/07–37/079; A47J 2037/0777  
USPC ..... D7/332, 334–337, 402–406; 126/25 R,  
126/25 A, 25 AA, 37 R, 41 R, 41 A, 40, 39 M,  
126/50, 214 D, 289, 285 R, 505, 506, 276,  
126/312, 29–30, 154, 337 A, 83, 275 R, 9 R,  
126/39 E, 39 K, 39 J, 39 N, 41 B, 42;  
D8/380–381, 373, 354; 248/354.6,  
248/354.4, 354.5, 354.1, 207, 213.2,  
248/220.21, 309.1, 311.2, 316.1, 243, 247;  
99/393, 402; D21/541, 549, 550, 548;  
D34/16

See application file for complete search history.

(56) **References Cited**

**U.S. PATENT DOCUMENTS**

3,025,782 A 3/1962 Stall  
3,861,288 A 1/1975 Cluff, Sr.  
D240,494 S 7/1976 Beasley  
D251,230 S \* 3/1979 Adams ..... D7/334  
D265,374 S \* 7/1982 Hamilton, Jr. .... D7/334

5,031,602 A \* 7/1991 Vick ..... 126/25 R  
D325,490 S \* 4/1992 Dodgen ..... D7/334  
D329,623 S 9/1992 Dodgen  
D329,624 S 9/1992 Dodgen  
D334,687 S \* 4/1993 Gongwer ..... D7/334  
5,255,664 A \* 10/1993 Gurliacci ..... 126/276  
5,481,964 A \* 1/1996 Kitten ..... 99/339  
5,501,210 A \* 3/1996 Van Hoogmoed ..... 126/276  
D368,618 S 4/1996 Van Hoogmoed  
D487,209 S \* 3/2004 MacIntosh ..... D7/334  
6,736,050 B1 \* 5/2004 Monn ..... 99/339  
7,263,990 B1 \* 9/2007 Lenhart ..... 126/276  
D564,825 S 3/2008 Chan  
7,878,186 B2 \* 2/2011 Cusack ..... 126/25 R  
2008/0011285 A1 \* 1/2008 Milligan et al. .... 126/25 R  
2010/0258107 A1 \* 10/2010 Davidson et al. .... 126/276

\* cited by examiner

*Primary Examiner* — Ruth McInroy

(74) *Attorney, Agent, or Firm* — QuickPatents; Kevin Prince

(57) **CLAIM**

I claim the ornamental design for a barbecue trailer, as shown and described.

**DESCRIPTION**

FIG. 1 is a perspective view of a barbecue trailer, showing my new design;

FIG. 2 is a top plan view thereof;

FIG. 3 is a left-side elevational view thereof;

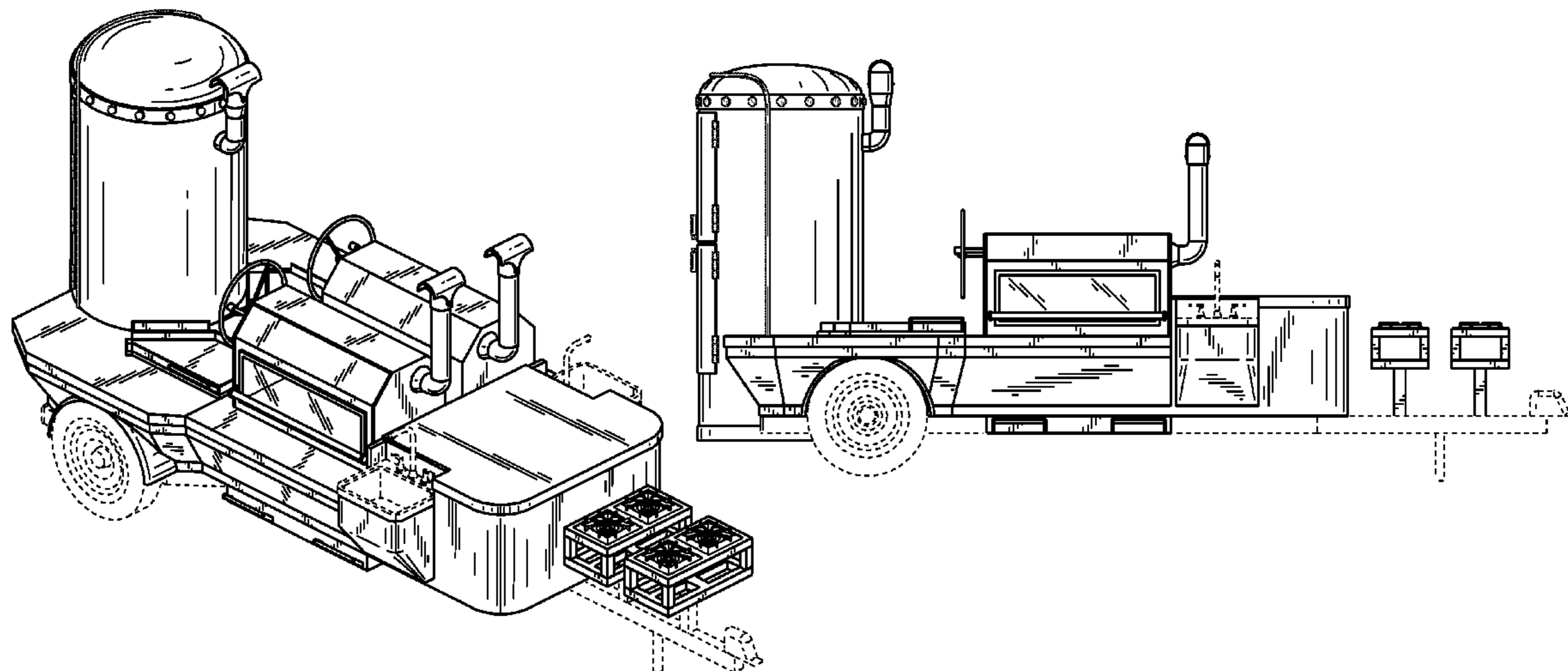
FIG. 4 is a right-side elevational view thereof;

FIG. 5 is a front elevational view thereof; and,

FIG. 6 is a rear elevational view thereof.

The broken lines in the figures depict environmental matter and form no part of the claimed design. The bottom plan view forms no part of the claimed design.

**1 Claim, 5 Drawing Sheets**



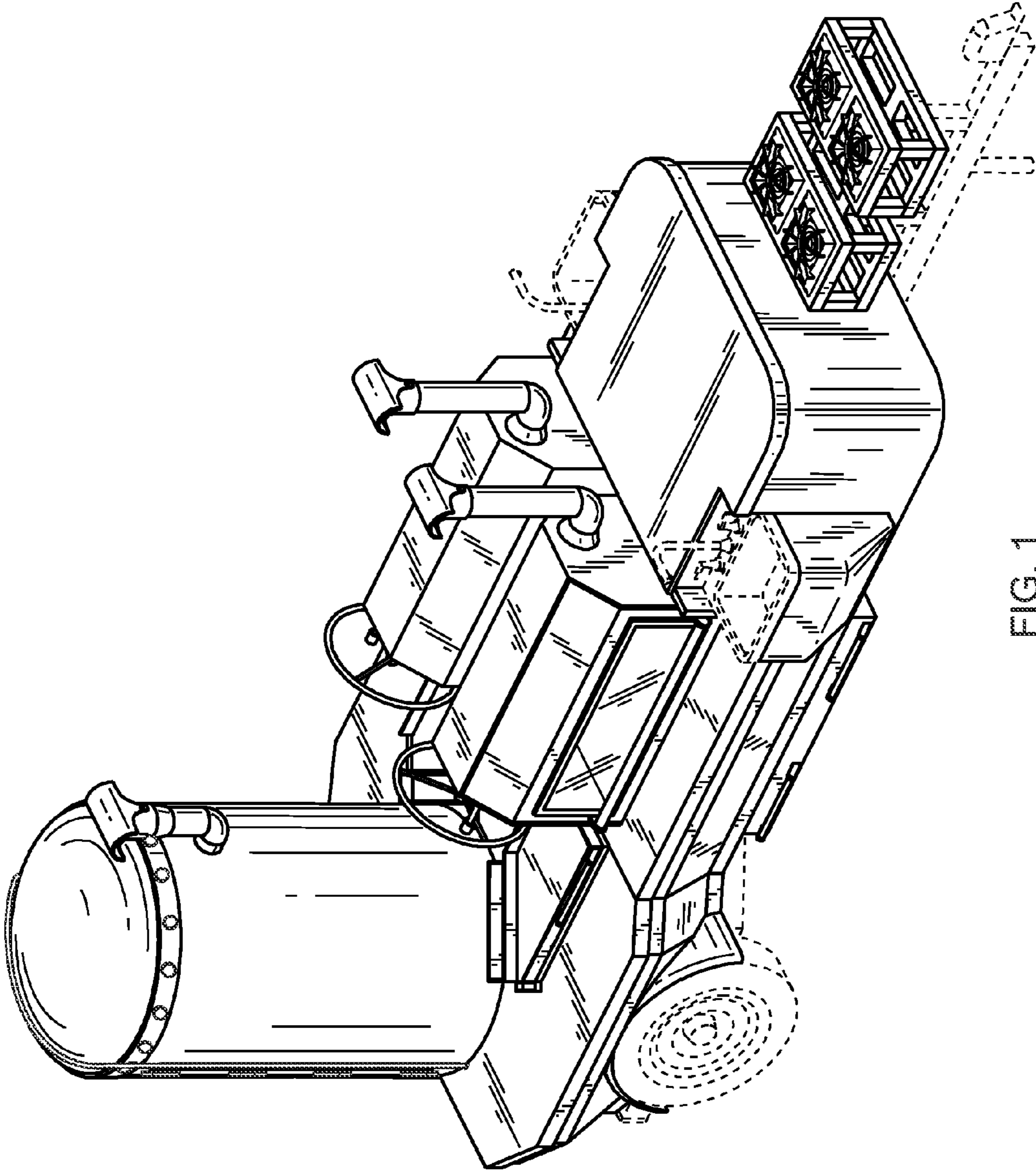


FIG. 1

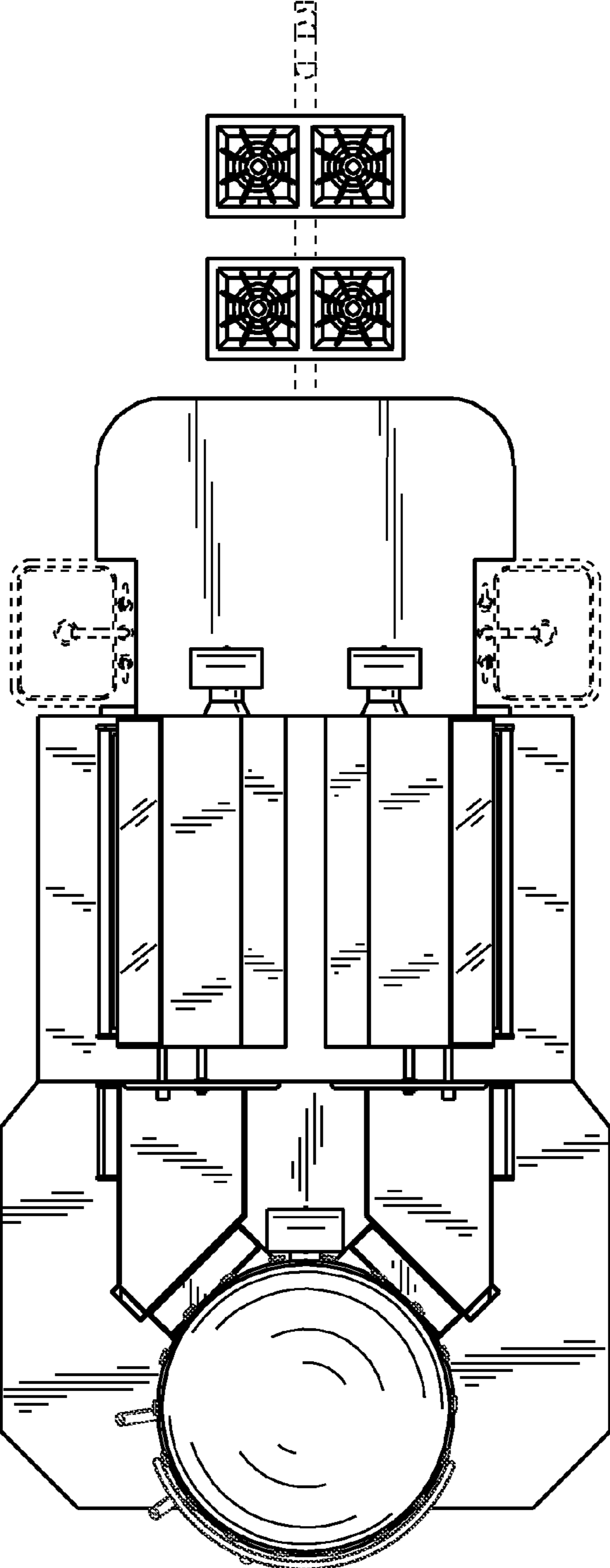


FIG. 2

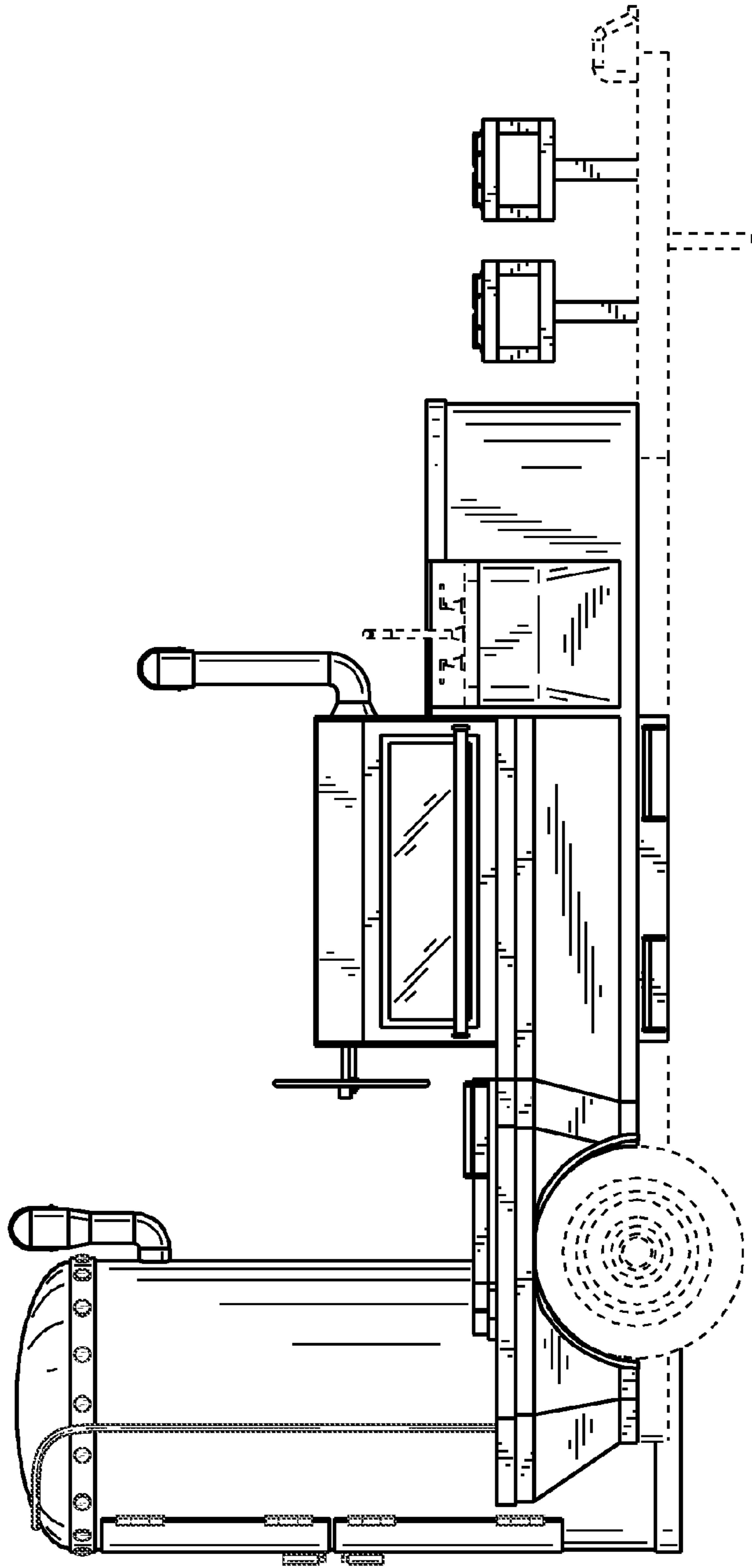


FIG. 3

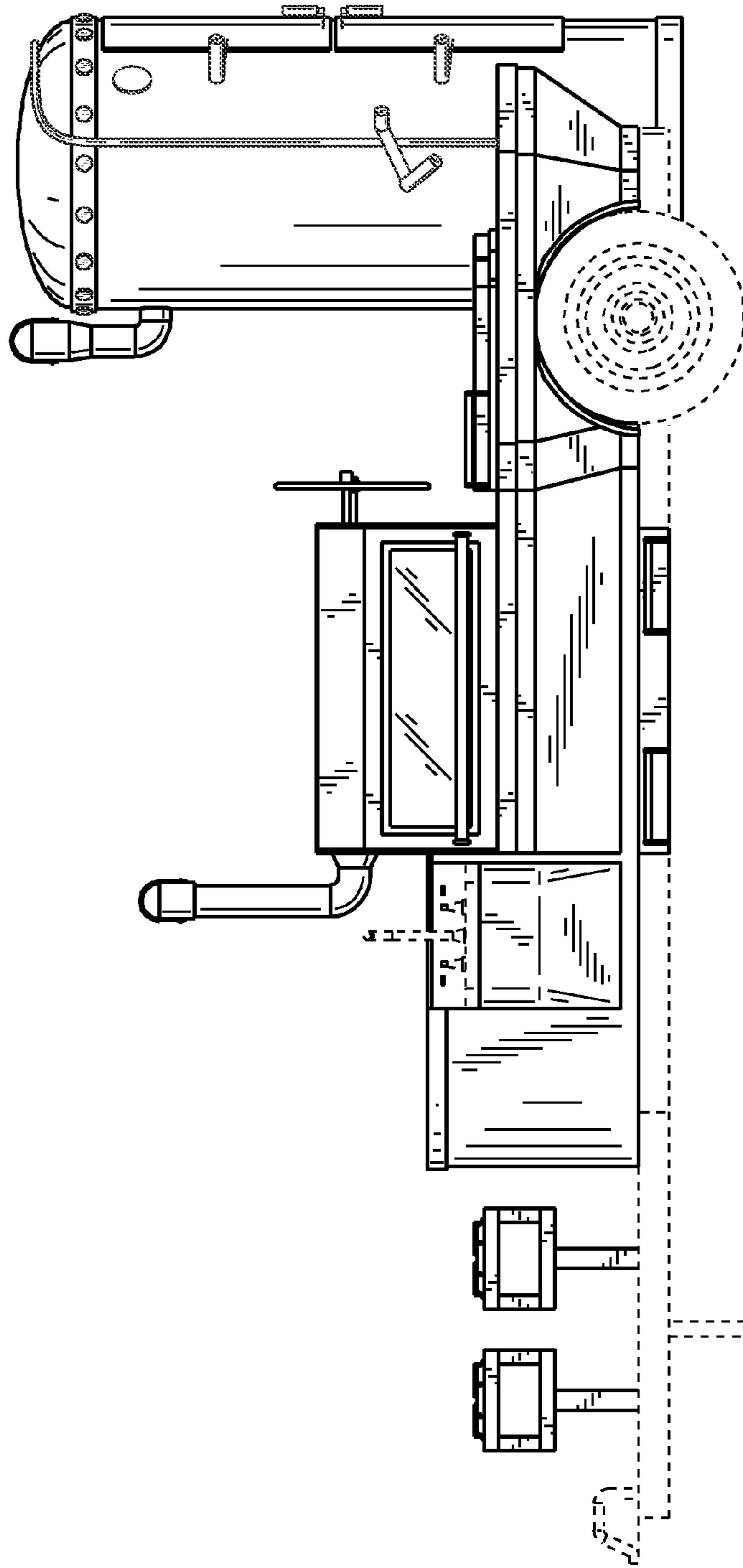


FIG. 4

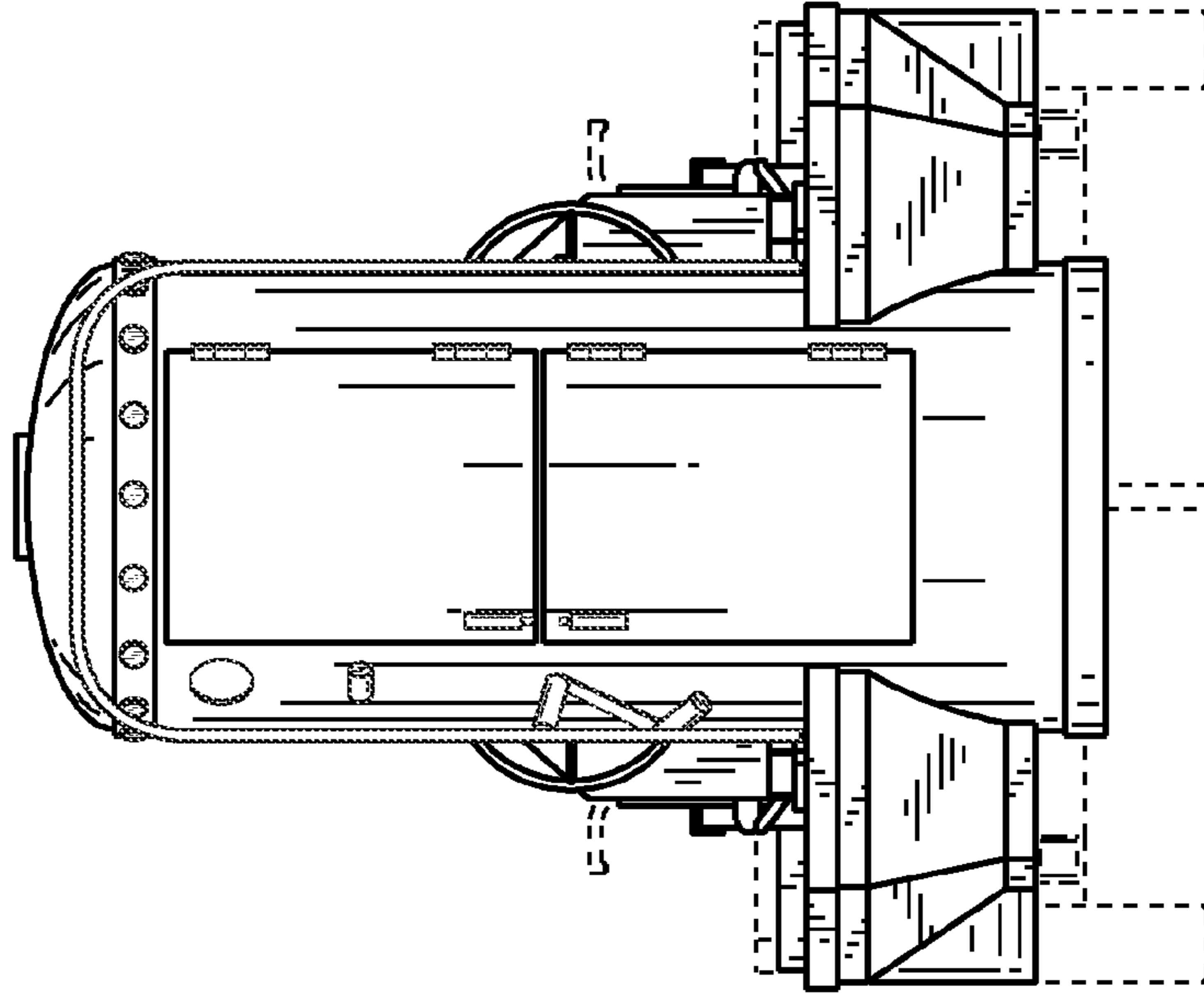


FIG. 6

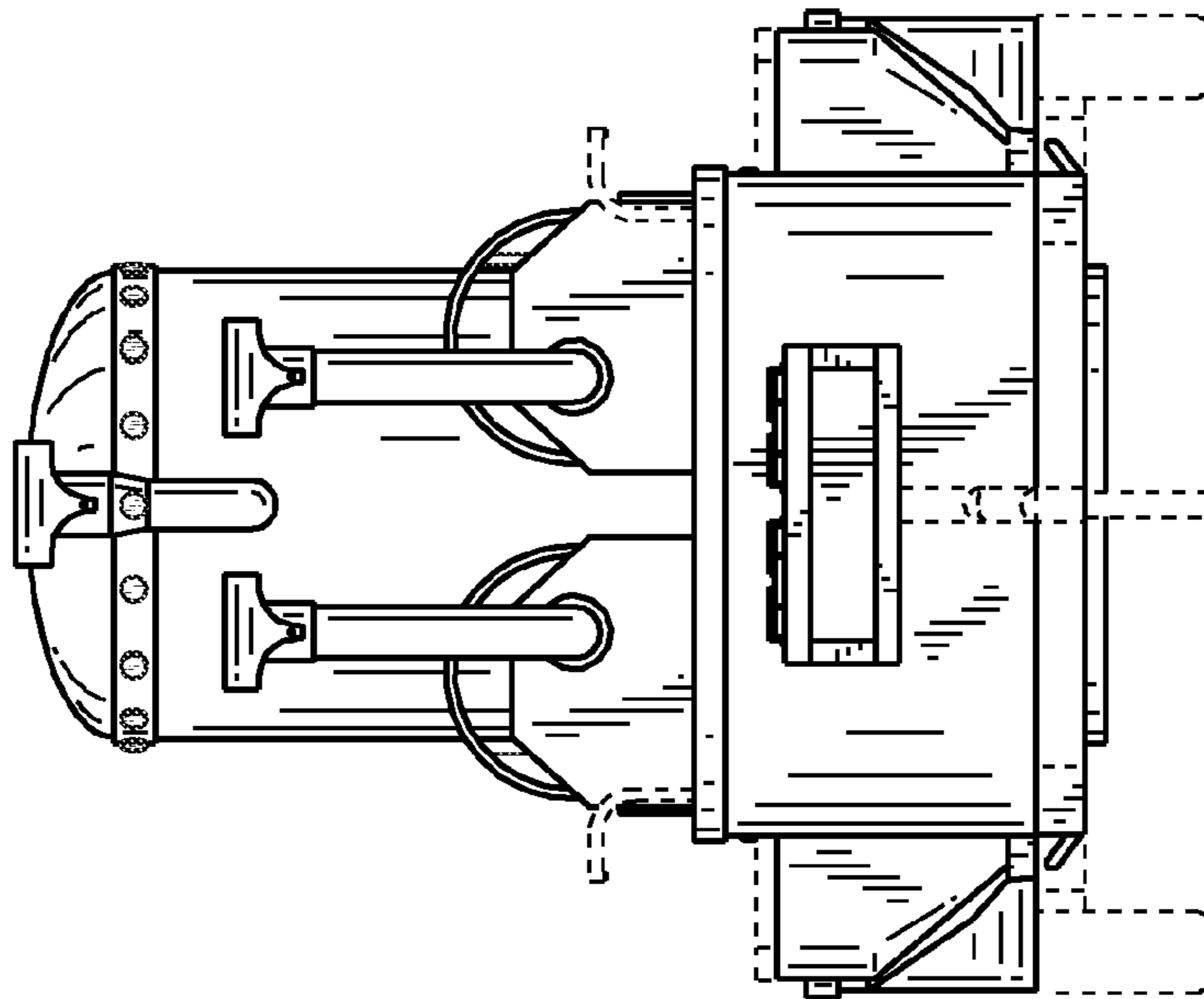


FIG. 5