



US00D722465S

(12) **United States Design Patent**
Berge

(10) **Patent No.:** **US D722,465 S**
(45) **Date of Patent:** **** Feb. 17, 2015**

(54) **CARAMEL CORN MAKER**

- (71) Applicant: **National Presto Industries, Inc.**, Eau Claire, WI (US)
 - (72) Inventor: **Michael R. Berge**, Eau Claire, WI (US)
 - (73) Assignee: **National Presto Industries, Inc.**, Eau Claire, WI (US)
 - (**) Term: **14 Years**
 - (21) Appl. No.: **29/444,302**
 - (22) Filed: **Jan. 29, 2013**
 - (51) **LOC (10) Cl.** **31-00**
 - (52) **U.S. Cl.**
USPC **D7/325**
 - (58) **Field of Classification Search**
CPC A23B 4/066; A23B 7/0425; A23L 1/01; A23L 1/0128; A23L 1/10; A23L 1/18; A23L 1/1802; A23L 1/1812; A23L 1/1815; A23L 1/1817; A23L 1/217; A23P 1/14; A23P 1/142; A23P 1/144; A23P 1/146; A23P 1/148; A47G 19/26; A47J 27/04; A47J 27/004; A47J 36/027; A47J 36/06; A47J 37/067; B65D 11/188; B65D 81/34; B65D 81/3407; B65D 81/3446; B65D 81/3453; F25B 21/02
USPC D6/631; D7/323, 325, 337, 339, D7/346-347, 350.1, 350.4, 354, 360-362, D7/391, 602, 610, 629; 62/3.2, 3.6, 457.6, 62/457.9; 99/323.4-323.11; 126/274; 219/433, 441, 682, 728-731, 734-735; 426/106-107, 113, 115, 241-243, 443, 426/449
- See application file for complete search history.

(56) **References Cited**

U.S. PATENT DOCUMENTS

D206,674 S 1/1967 Hughes et al.
3,722,399 A 3/1973 Cole

(Continued)

OTHER PUBLICATIONS

West Bend Kettle Crazy Instruction Manual, 2009, 32 pages.

(Continued)

Primary Examiner — Ricky Pham

(74) *Attorney, Agent, or Firm* — Patterson Thunte Pedersen, P.A.

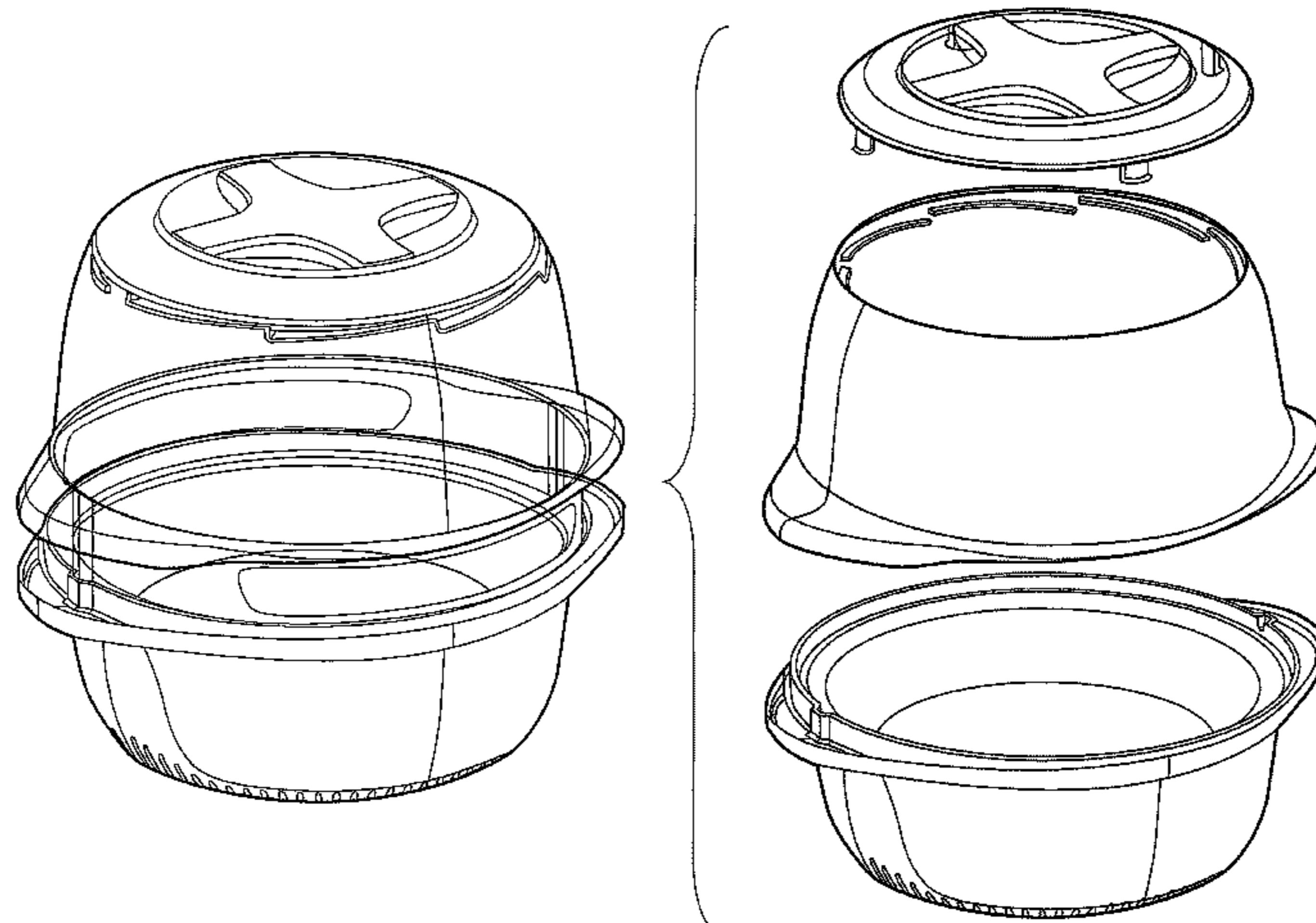
(57) **CLAIM**

I claim the ornamental design for caramel corn maker, as shown and described.

DESCRIPTION

FIG. 1 is a front view of a caramel corn maker according to an embodiment of the invention.
 FIG. 2 is a left side view of the caramel corn maker depicted in FIG. 1.
 FIG. 3 is a rear view of the caramel corn maker depicted in FIG. 1.
 FIG. 4 is a right side view of the caramel corn maker depicted in FIG. 1.
 FIG. 5 is top view of the caramel corn maker depicted in FIG. 1.
 FIG. 6 is a bottom view of the caramel corn maker depicted in FIG. 1.
 FIG. 7 is a front, perspective view of the caramel corn maker depicted in FIG. 1.
 FIG. 8 is a front, exploded perspective view of the caramel corn maker depicted in FIG. 1.
 FIG. 9 is a front view of a caramel corn maker according to another embodiment of the invention.
 FIG. 10 is a left side view of the caramel corn maker depicted in FIG. 9.
 FIG. 11 is a rear view of the caramel corn maker depicted in FIG. 9.
 FIG. 12 is a right side view of the caramel corn maker depicted in FIG. 9.
 FIG. 13 is top view of the caramel corn maker depicted in FIG. 9.
 FIG. 14 is a bottom view of the caramel corn maker depicted in FIG. 9.
 FIG. 15 is a front, perspective view of the caramel corn maker depicted in FIG. 9; and,
 FIG. 16 is a front, exploded perspective view of the caramel corn maker depicted in FIG. 9.
 Items shown in broken lines are for illustrative purposes only and form no part of the claimed invention.

1 Claim, 16 Drawing Sheets



(56)

References Cited

U.S. PATENT DOCUMENTS

4,149,455 A 4/1979 Ross
 4,152,974 A 5/1979 Tienor
 D256,019 S 7/1980 Boldt et al.
 D279,070 S 6/1985 Morrison et al.
 D280,062 S * 8/1985 Cesaroni D7/325
 D280,174 S 8/1985 Cesaroni
 D281,137 S 10/1985 Cesaroni
 D286,124 S 10/1986 Dempsey
 4,763,568 A 8/1988 Kiczek
 4,923,704 A * 5/1990 Levinson 426/243
 5,397,879 A 3/1995 Geissler
 D360,102 S 7/1995 Geissler et al.
 5,695,673 A 12/1997 Geissler
 D442,816 S * 5/2001 Chen D6/631
 D445,647 S 7/2001 Ciesko et al.
 6,378,325 B1 * 4/2002 Yang 62/457.6
 6,763,665 B2 * 7/2004 Clark et al. 62/3.6

6,799,433 B1 * 10/2004 Gleason et al. 62/457.9
 D514,372 S * 2/2006 Kaposi et al. D7/354
 D521,796 S 5/2006 Bertulis
 7,308,796 B1 * 12/2007 Eager 62/3.2
 D615,797 S 5/2010 Berge et al.
 8,343,560 B2 * 1/2013 Blythe et al. 426/106
 D678,730 S * 3/2013 Stewart D7/610
 D708,893 S * 7/2014 Henry D7/360
 8,772,685 B2 * 7/2014 Backaert et al. 219/682
 2004/0211406 A1 * 10/2004 Cornfield 126/274

OTHER PUBLICATIONS

West Bend Stir Crazy Corn Popper Instruction Manual, 2007, 24 pages.
 Presto Automatic Buttering Corn Popper Instruction Manual, 1975, 2 pages.
 Presto© Caramel Corn'r Popcorn/Caramel Corn Maker Brochure, 1 page, Copyright 1982.

* cited by examiner

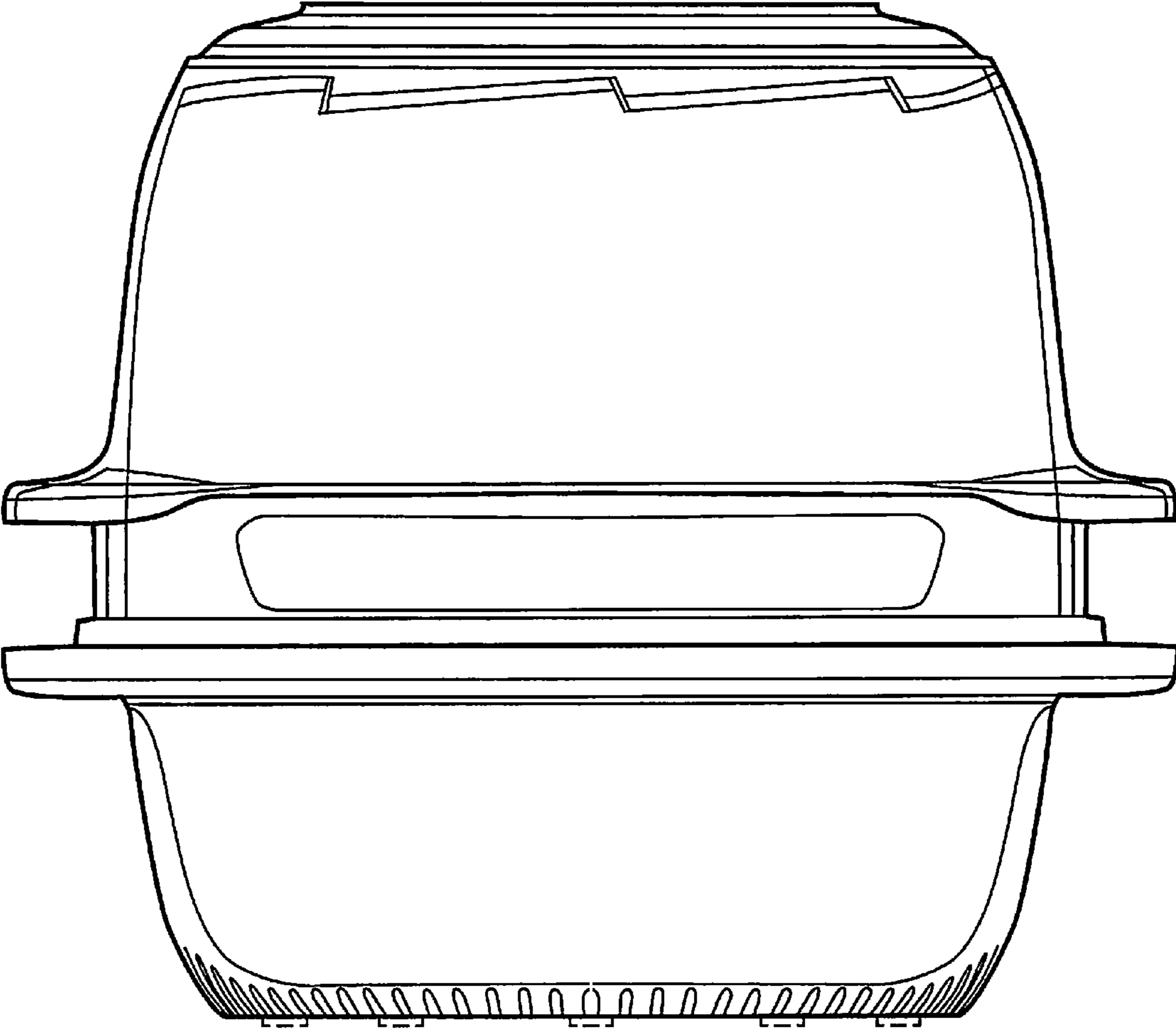


Fig. 1

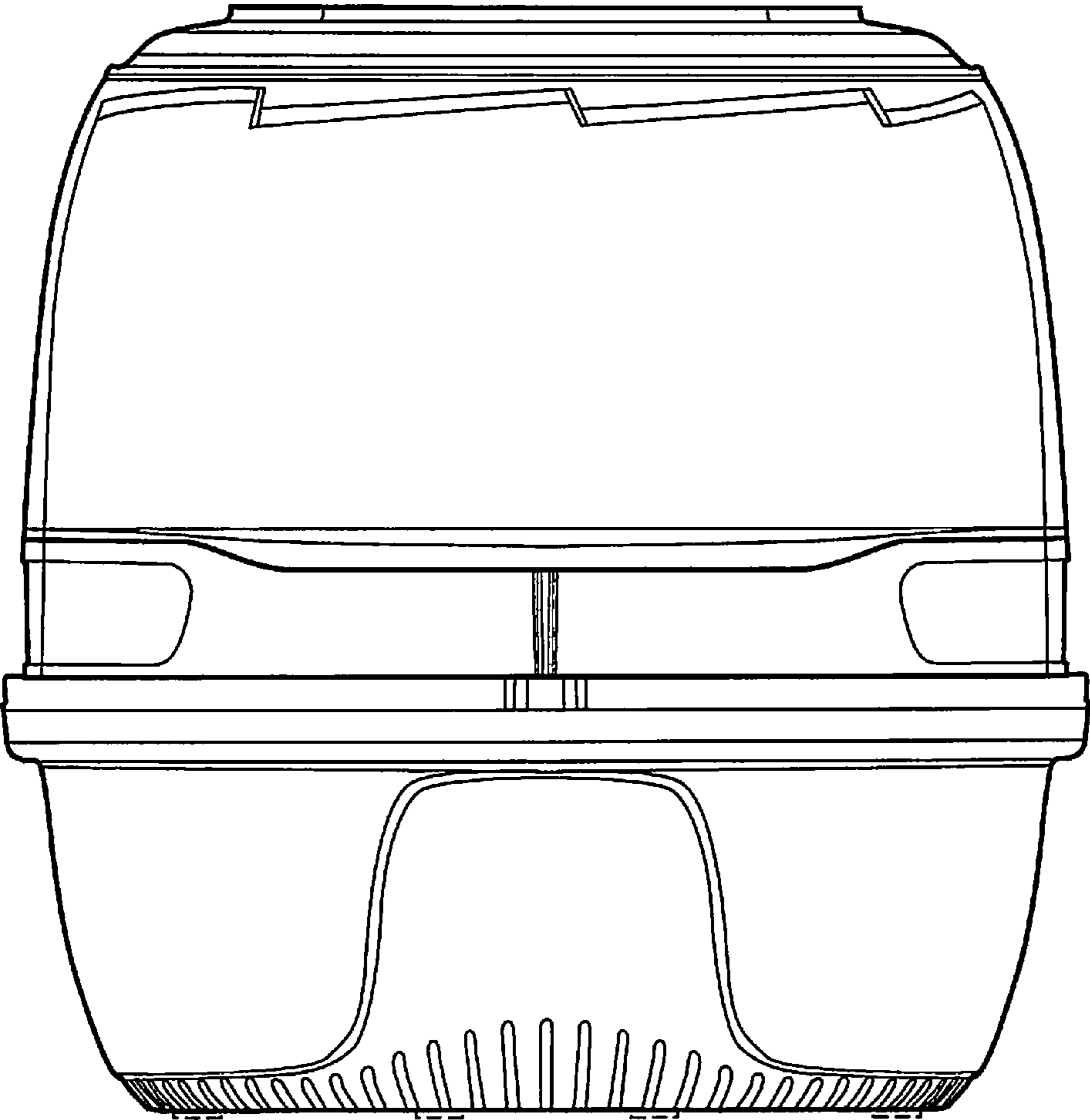


Fig. 2

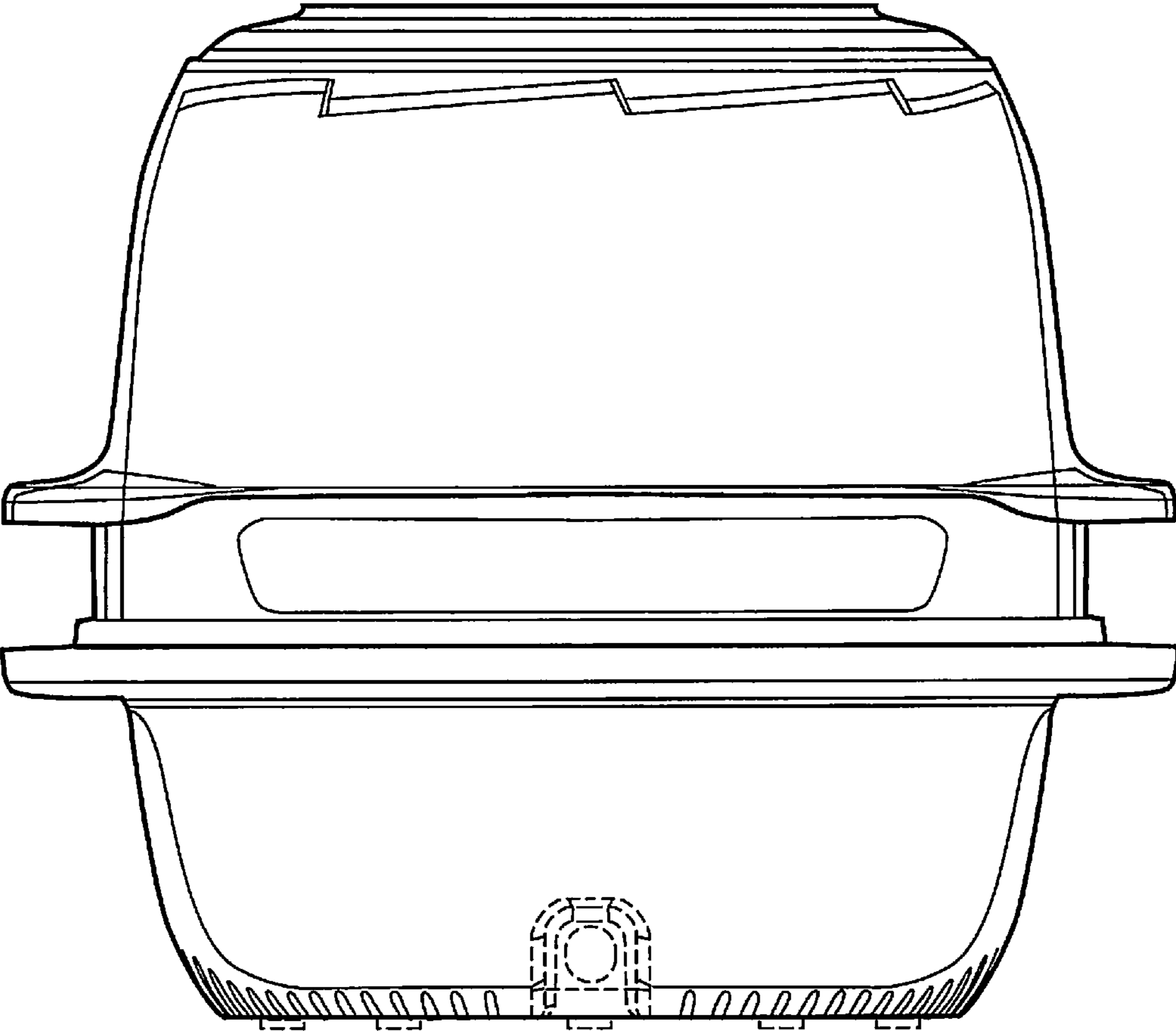


Fig. 3

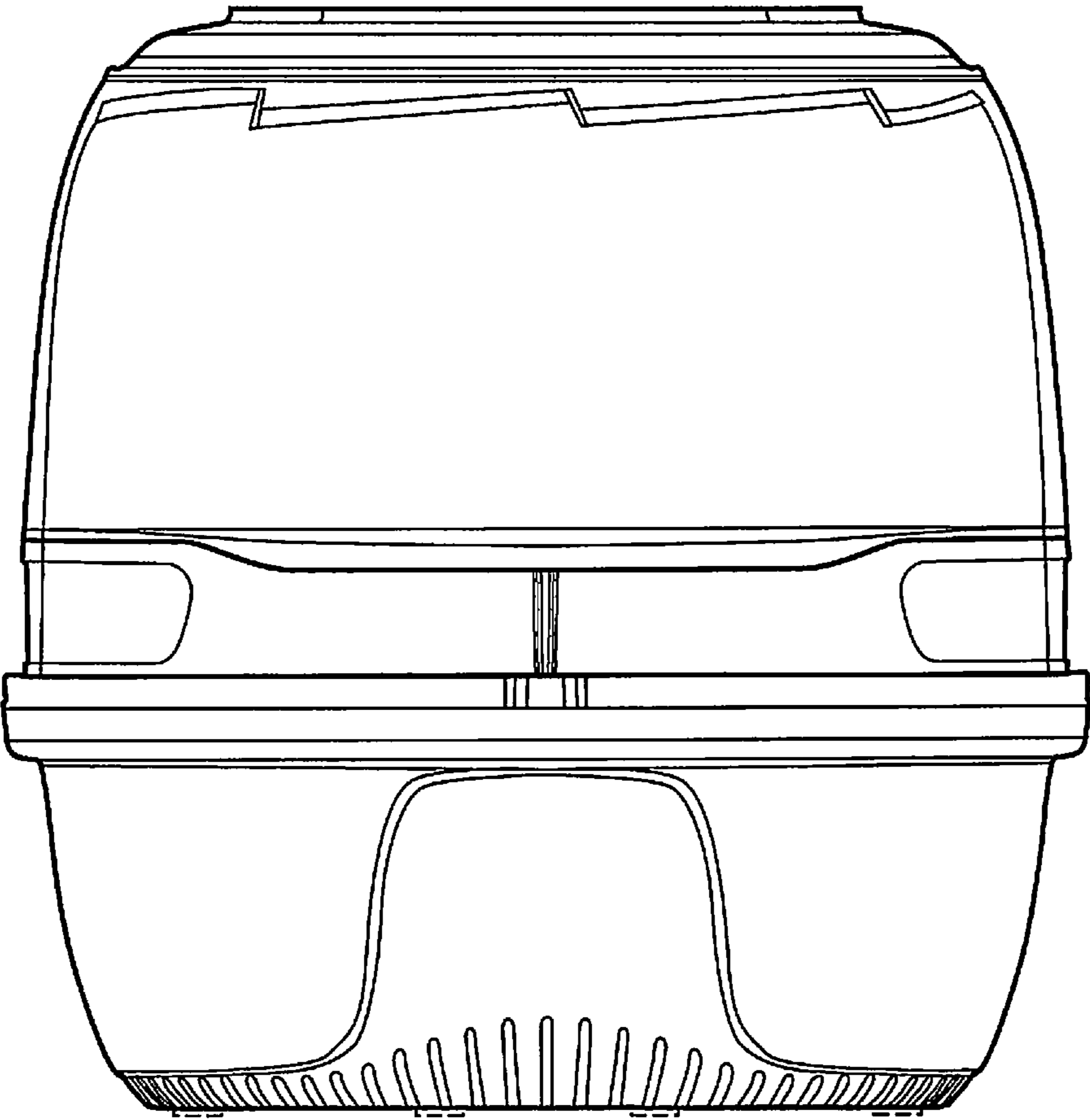


Fig. 4

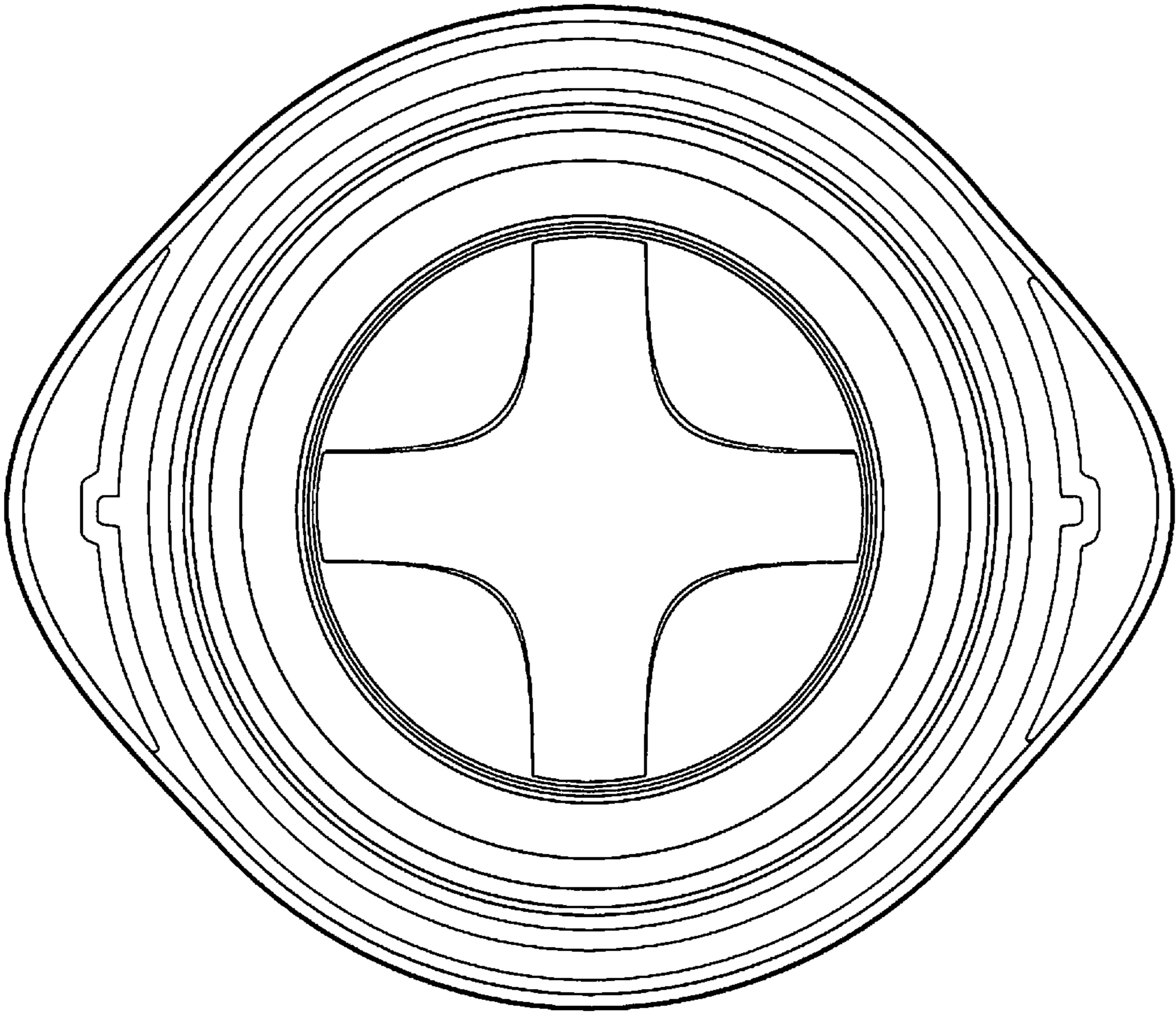


Fig. 5

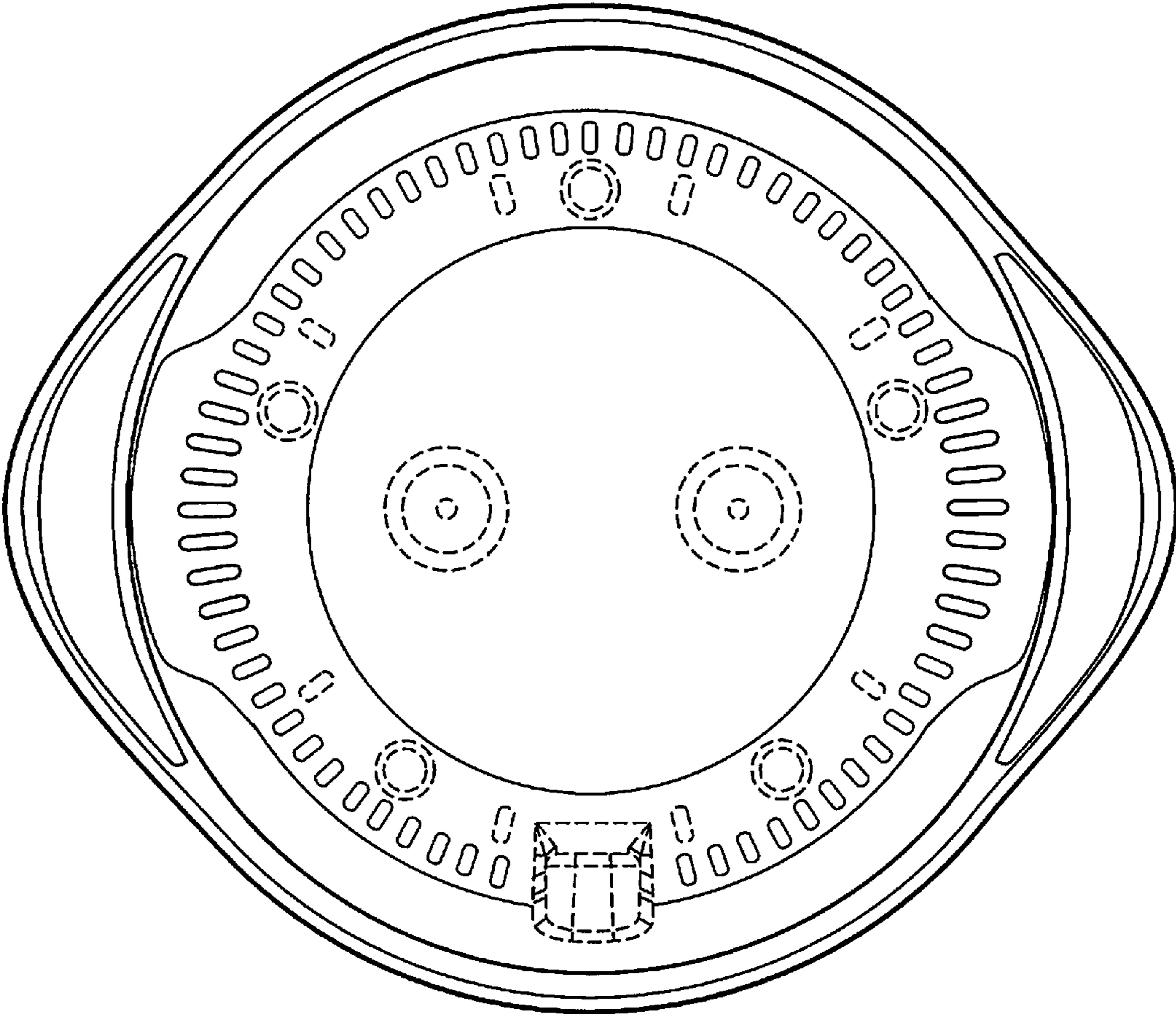


Fig. 6

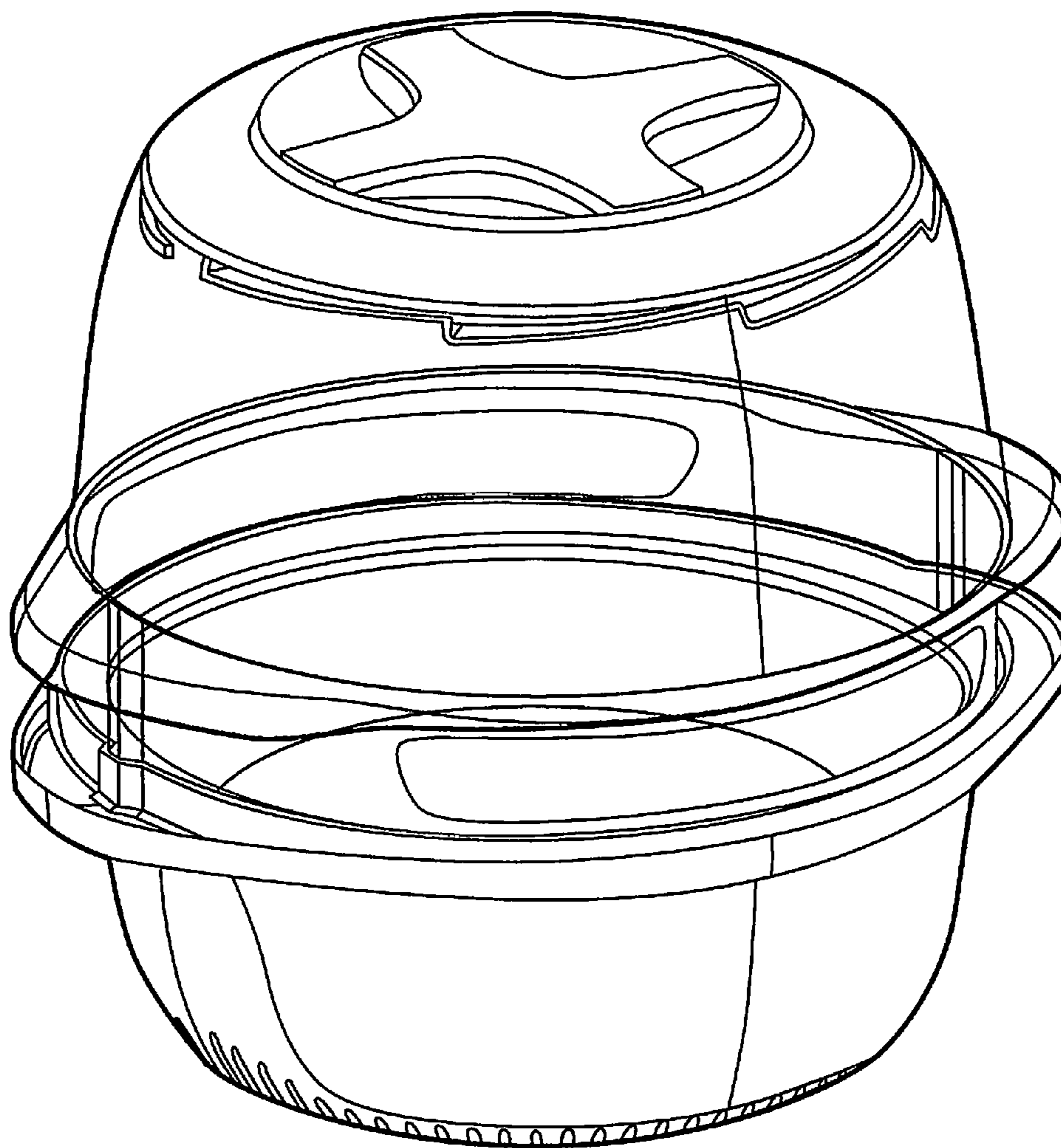


Fig. 7

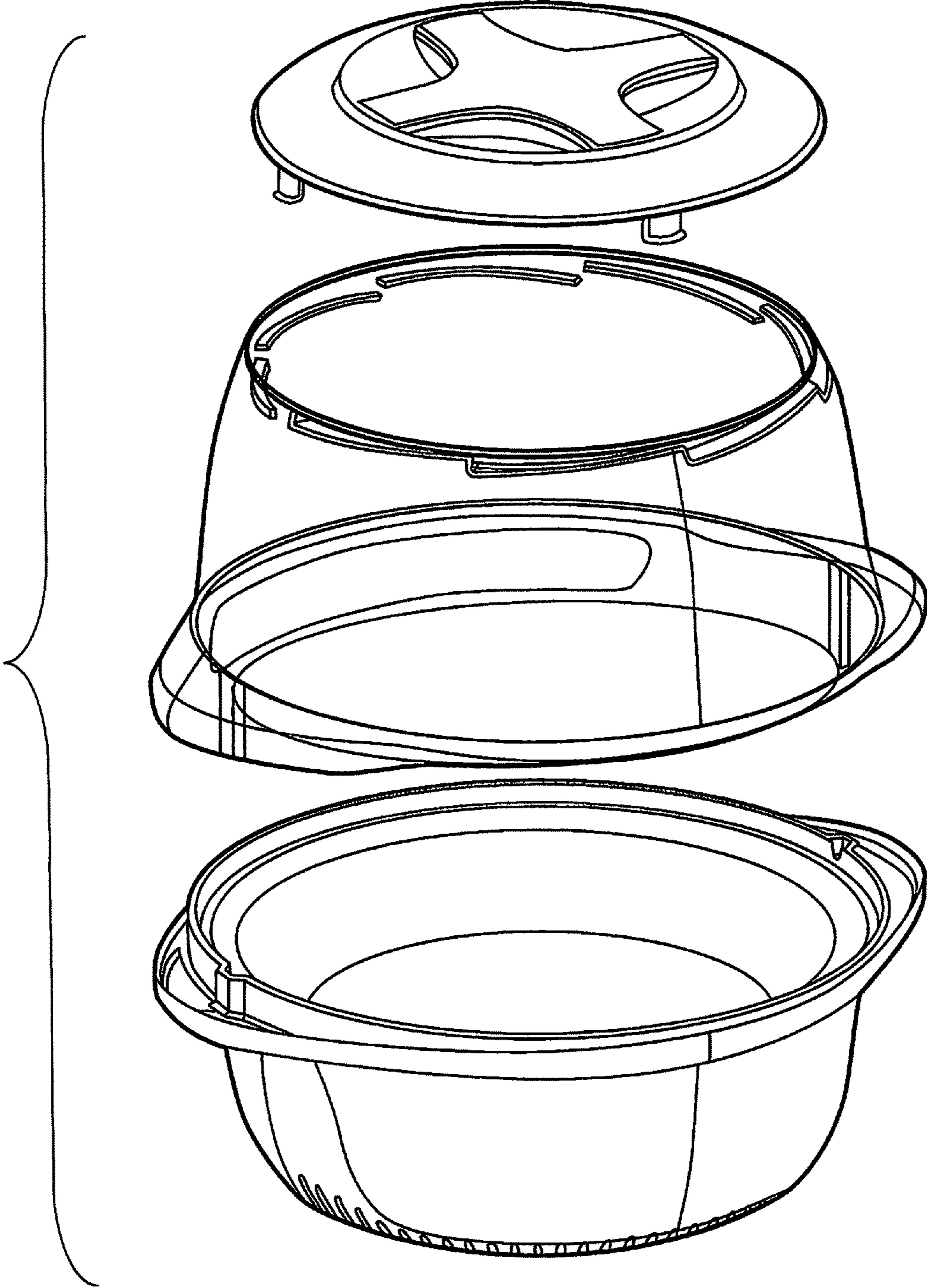


Fig. 8

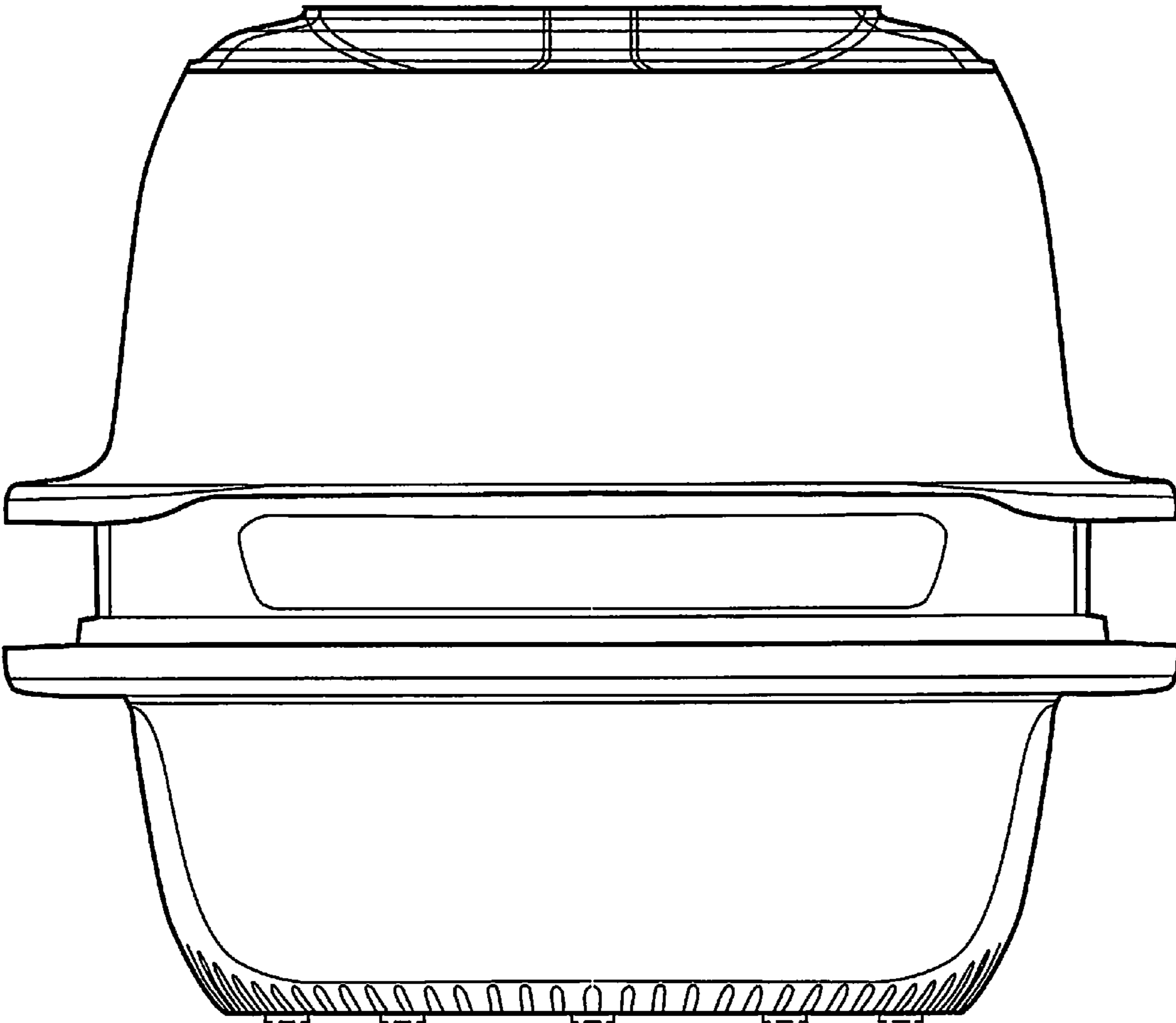


Fig. 9

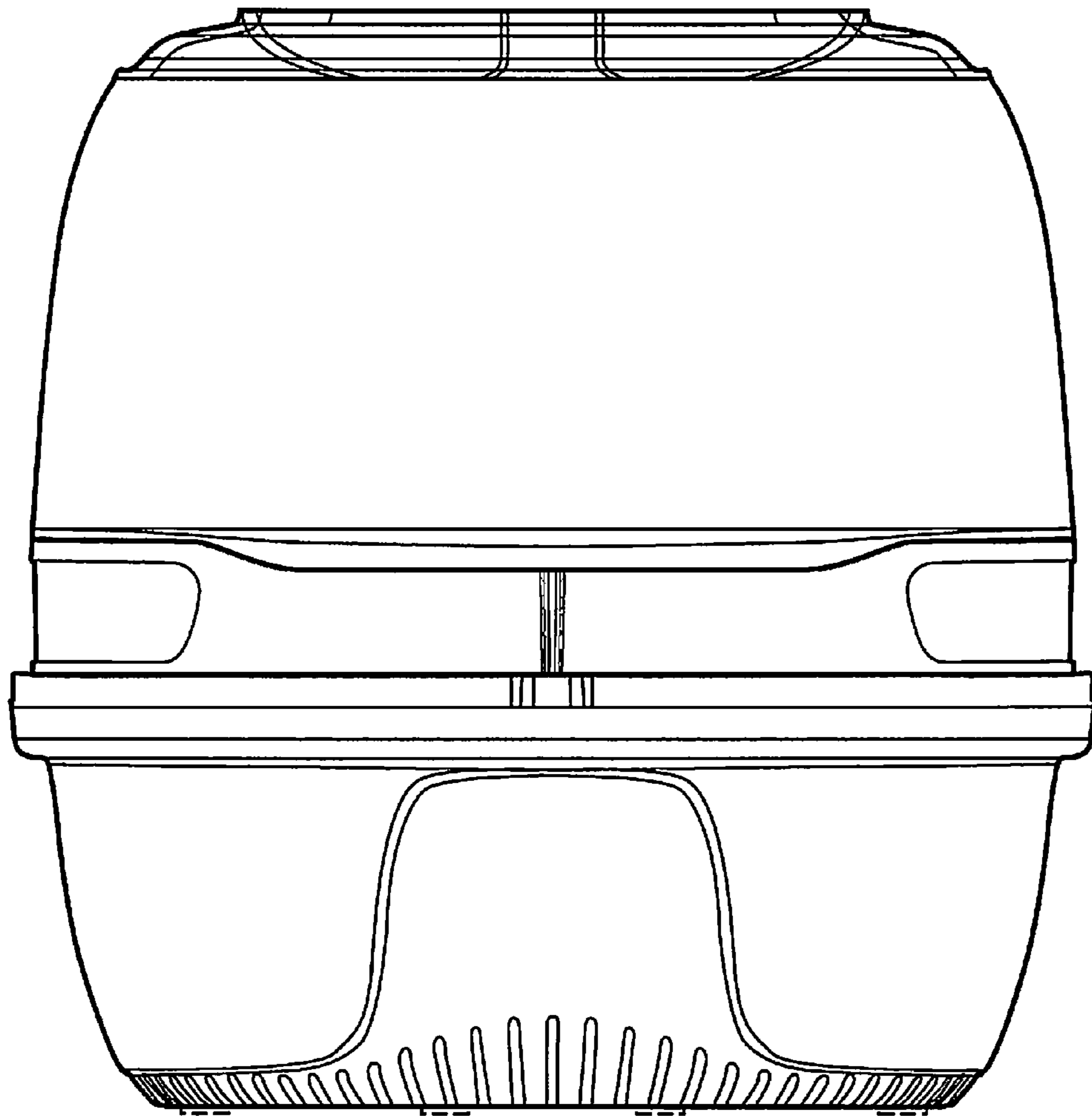


Fig. 10

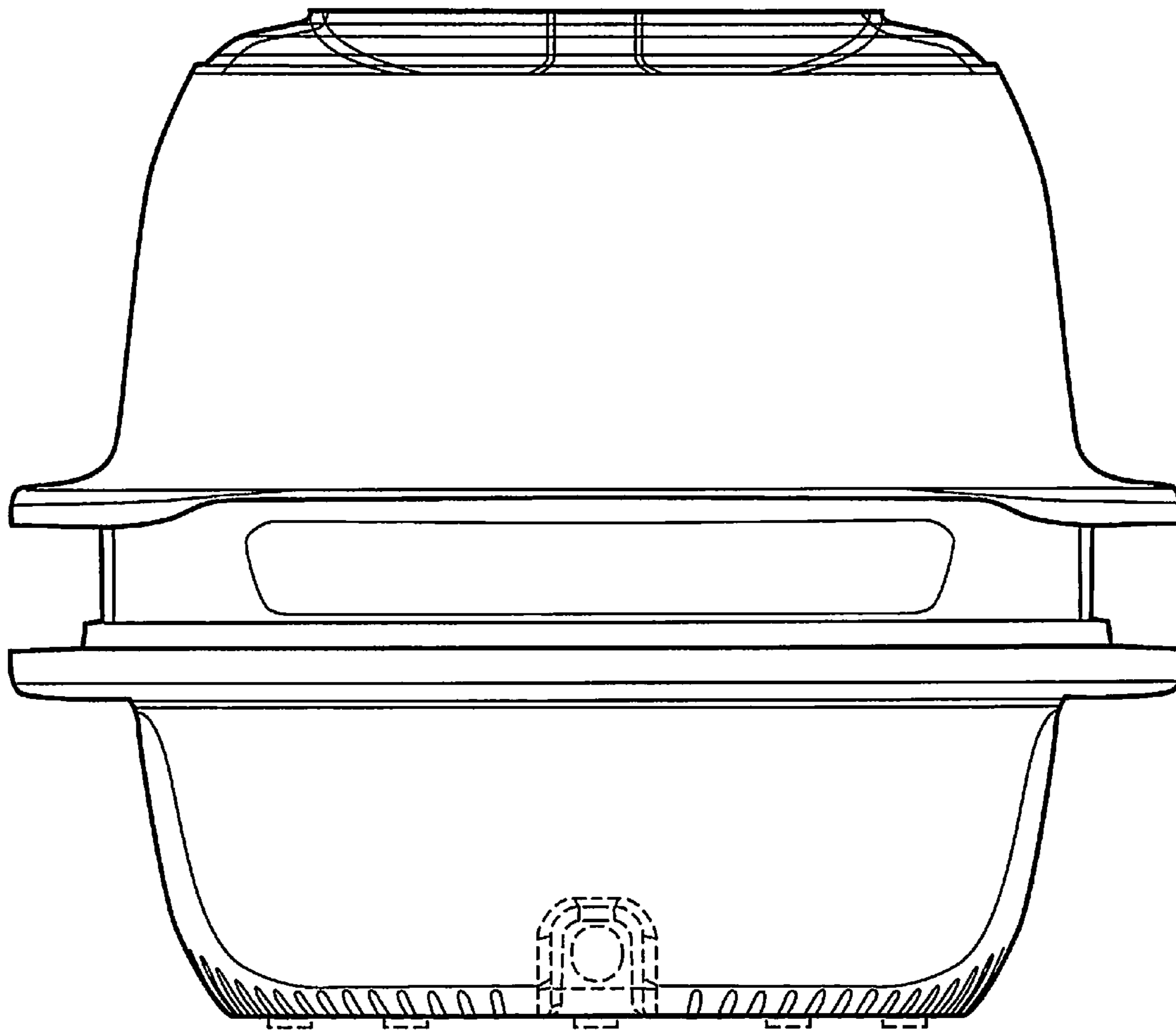


Fig. 11

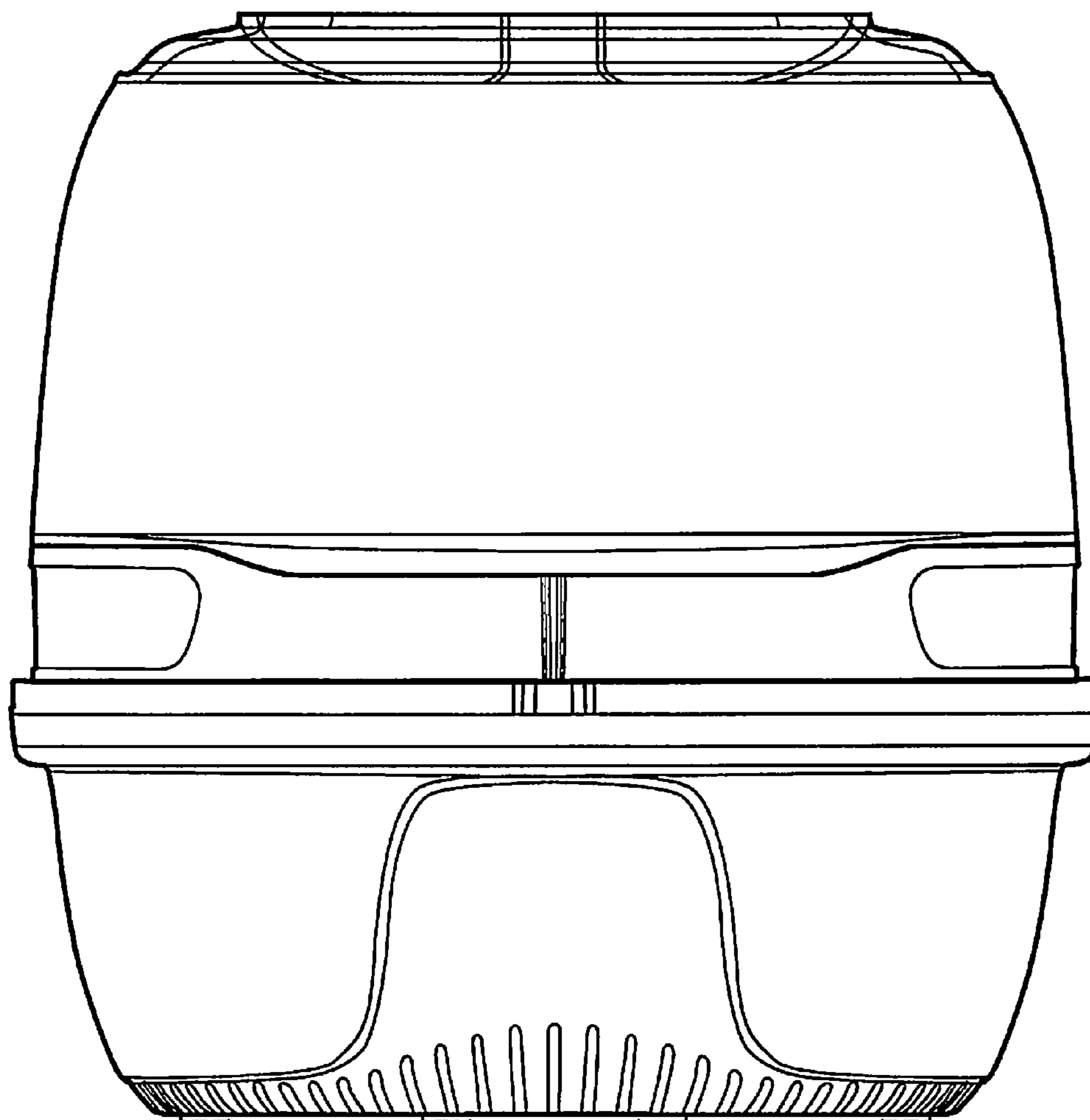


Fig. 12

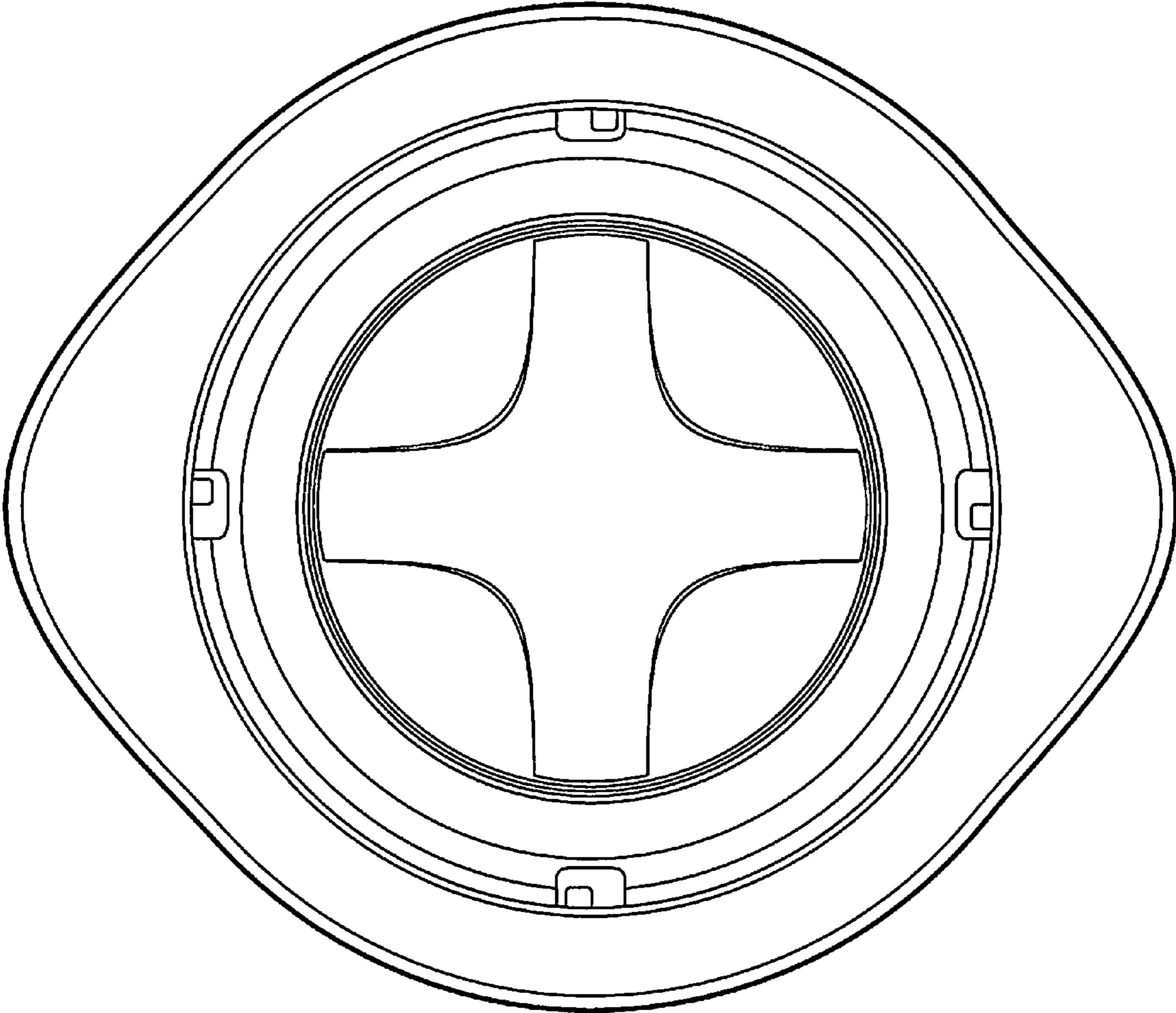


Fig. 13

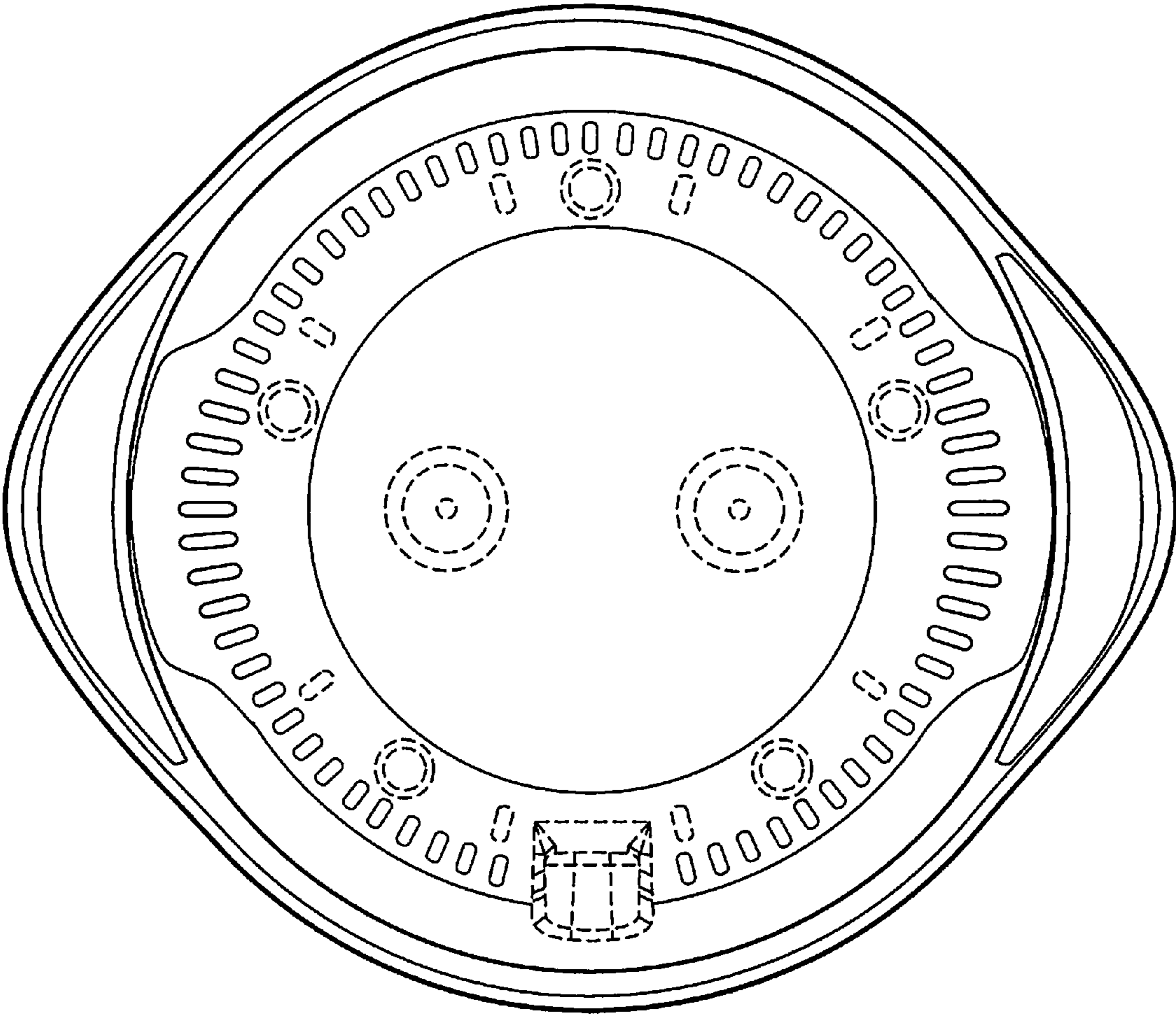


Fig. 14

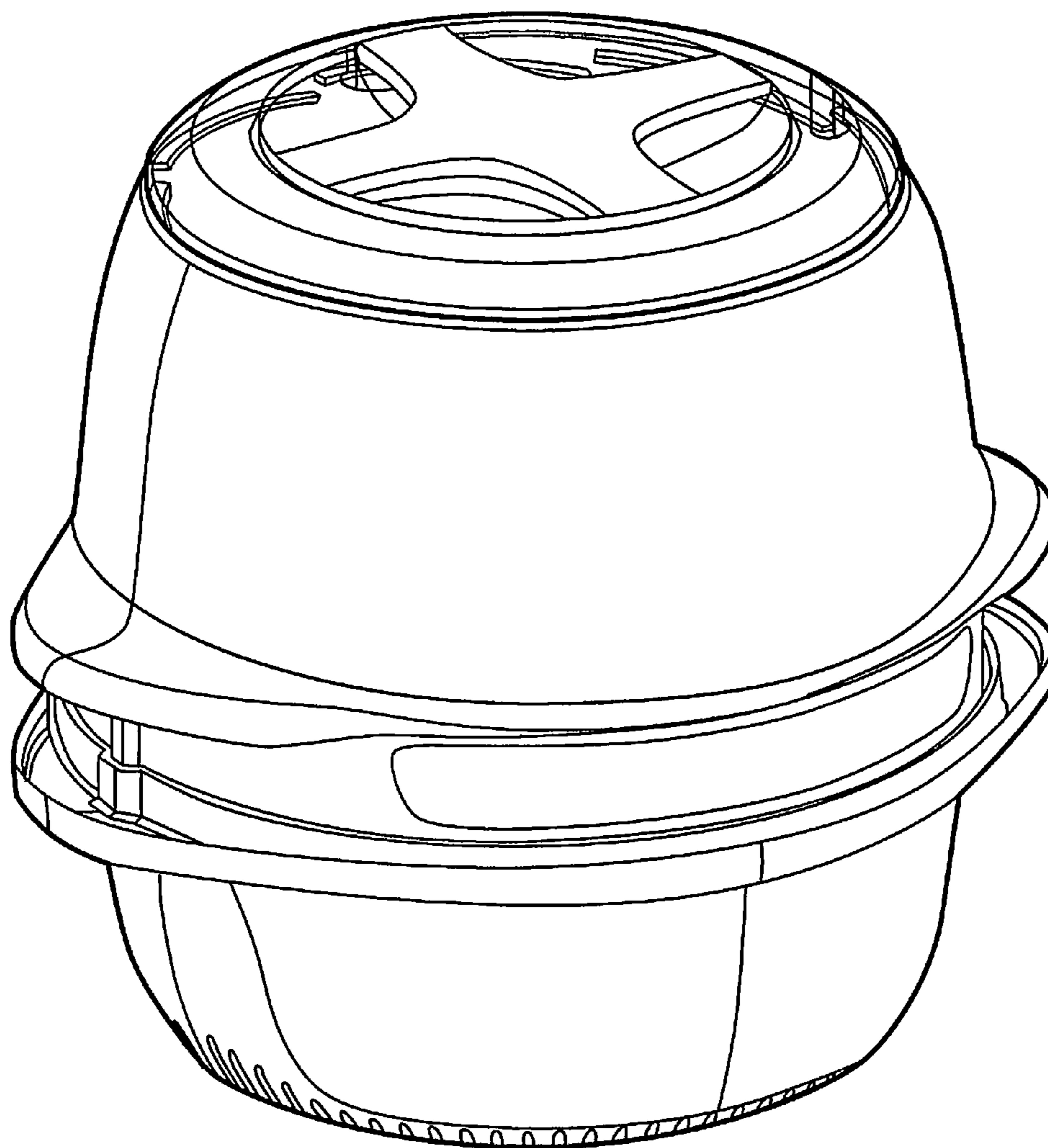


Fig. 15

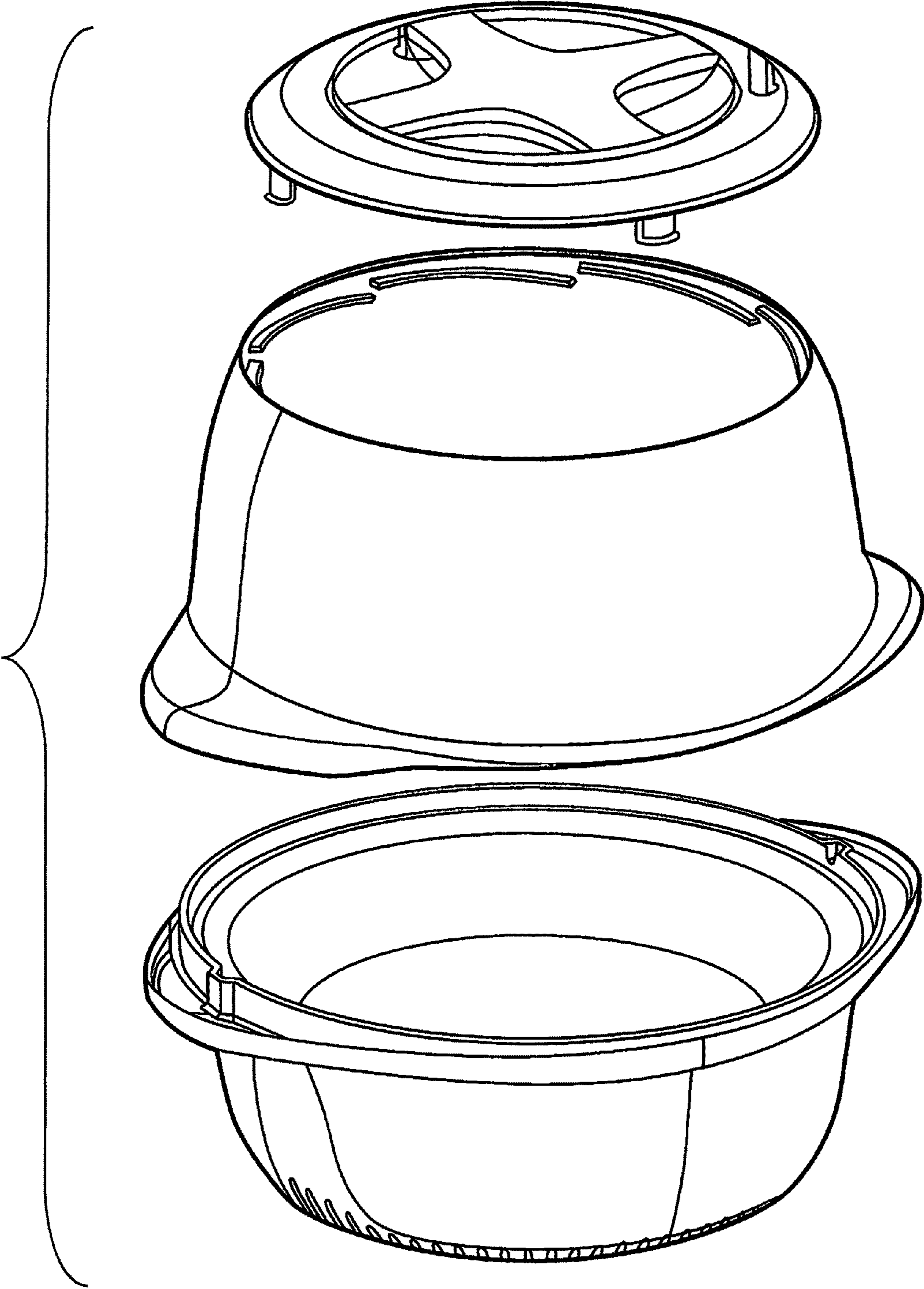


Fig. 16