



US00D722463S

(12) **United States Design Patent**
Manly et al.

(10) **Patent No.:** **US D722,463 S**
(45) **Date of Patent:** **** Feb. 17, 2015**

(54) **BEVERAGE MACHINE**

(71) Applicant: **Keurig, Incorporated**, Reading, MA (US)
(72) Inventors: **David Manly**, Duxbury, MA (US); **Karen Gallagher**, Andover, MA (US); **James E. Shepard**, Marblehead, MA (US); **Michelle V. Stacy**, Ipswich, MA (US); **Ben C. Yoder**, Reading, MA (US); **Scott M. Vogel**, Salem, MA (US); **Allison Cummings**, Charlestown, MA (US); **Stephanie Simione**, Charlestown, MA (US); **Steffen F. Koury**, Everett, MA (US); **Paul K. Metaxatos**, Swampscott, MA (US); **James T. McGee**, Winthrop, MA (US); **Da Deng**, Somerville, MA (US)

(73) Assignee: **Keurig Green Mountain, Inc.**, Waterbury, VT (US)

(**) Term: **14 Years**

(21) Appl. No.: **29/466,346**

(22) Filed: **Sep. 6, 2013**

(51) **LOC (10) Cl.** **07-01**

(52) **U.S. Cl.**
USPC **D7/306; D7/309; D7/311**

(58) **Field of Classification Search**
USPC **D7/306-311, 301, 300, 326, 386, D7/397-399; 99/281, 305, 307; 141/247; 222/129.1, 129.3, 145.6; D24/197**
See application file for complete search history.

(56) **References Cited**

U.S. PATENT DOCUMENTS

D513,572 S * 1/2006 Schaffeld et al. D7/309
D538,577 S * 3/2007 Glucksman et al. D7/306

D544,299 S * 6/2007 Schaffeld et al. D7/397
D608,132 S * 1/2010 Bertolina D7/309
D637,859 S * 5/2011 Orkney et al. D7/306
D649,390 S * 11/2011 Santoiemmo D7/306
D663,158 S * 7/2012 Jacquet et al. D7/393
8,210,095 B2 * 7/2012 Brezovnik et al. 99/295
8,250,972 B2 * 8/2012 Santoiemmo 99/323.2
D667,674 S * 9/2012 Wilder et al. D7/306

(Continued)

FOREIGN PATENT DOCUMENTS

JP D1470496 5/2013
KR 30-0655357 8/2012
TW D117641 6/2007

Primary Examiner — Marianne Pandozzi

(74) *Attorney, Agent, or Firm* — Wolf, Greenfield & Sacks, P.C.

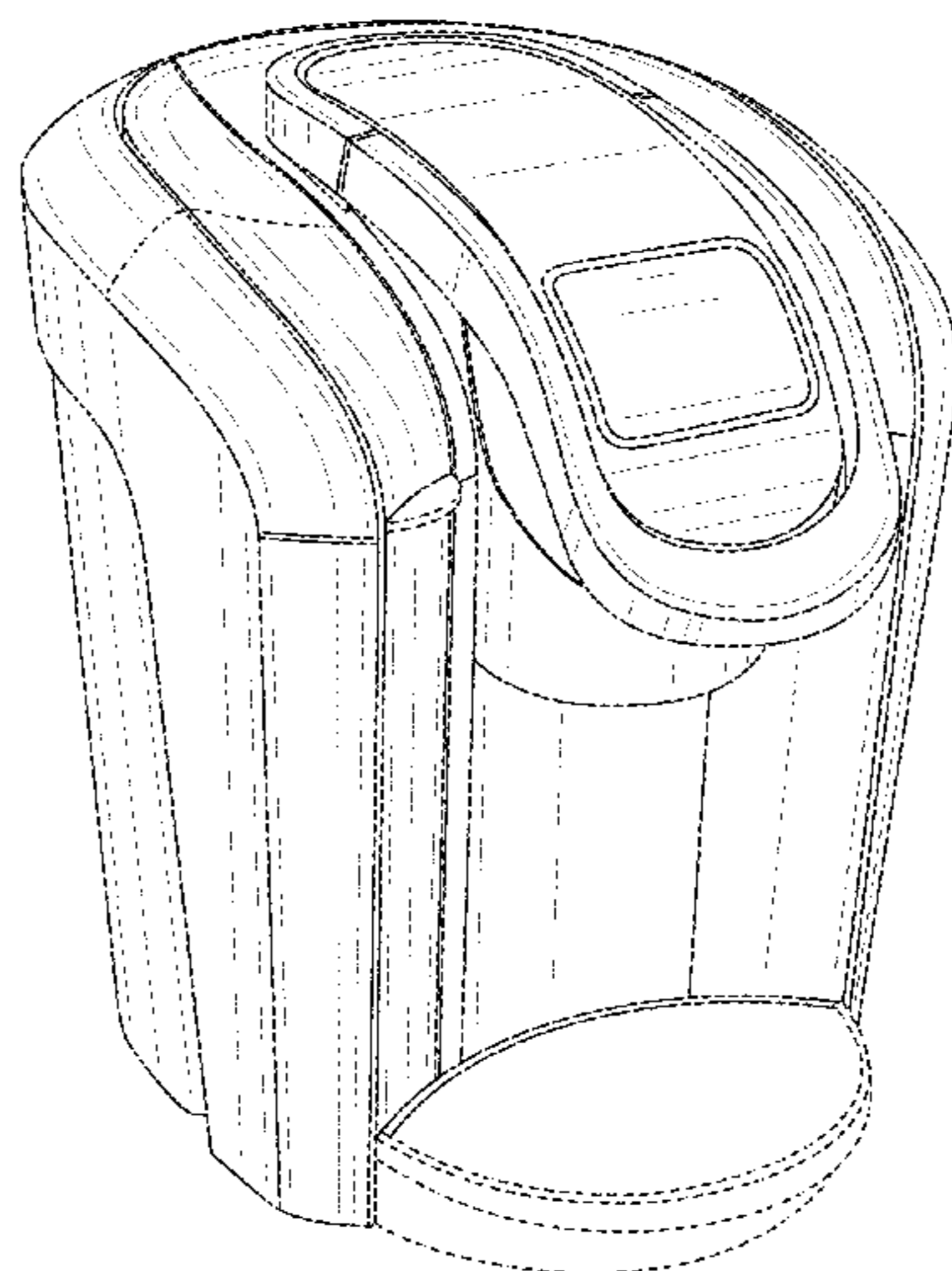
(57) **CLAIM**

The ornamental design for a beverage machine, as shown and described.

DESCRIPTION

FIG. 1 is a front, left perspective view of the beverage machine;
FIG. 2 is a front, right perspective view of the FIG. 1 embodiment;
FIG. 3 is a front view of the FIG. 1 embodiment;
FIG. 4 is a top view of the FIG. 1 embodiment;
FIG. 5 is a left side view of the FIG. 1 embodiment;
FIG. 6 is a right side view of the FIG. 1 embodiment;
FIG. 7 is a rear view of the FIG. 1 embodiment;
FIG. 8 is a rear, right perspective view of the FIG. 1 embodiment; and,
FIG. 9 is a rear, left perspective view of the FIG. 1 embodiment.
Features shown in dashed line form no part of the claimed invention.

1 Claim, 9 Drawing Sheets



(56)

References Cited

U.S. PATENT DOCUMENTS

D674,232 S * 1/2013 Lavy et al. D7/309
D674,233 S * 1/2013 Lavy et al. D7/309
D683,174 S * 5/2013 Regamey D7/306
D696,903 S * 1/2014 Burrows D7/401

8,677,888 B2 * 3/2014 Santoiemmo 99/323.2
D702,984 S * 4/2014 Hanneson et al. D7/306
8,833,241 B2 * 9/2014 Santoiemmo 99/323.2
2007/0056994 A1 * 3/2007 Woodnorth et al. 222/221
2008/0134902 A1 * 6/2008 Zimmerman et al. 99/302 R
2010/0024658 A1 * 2/2010 Jacobs et al. 99/302 R

* cited by examiner

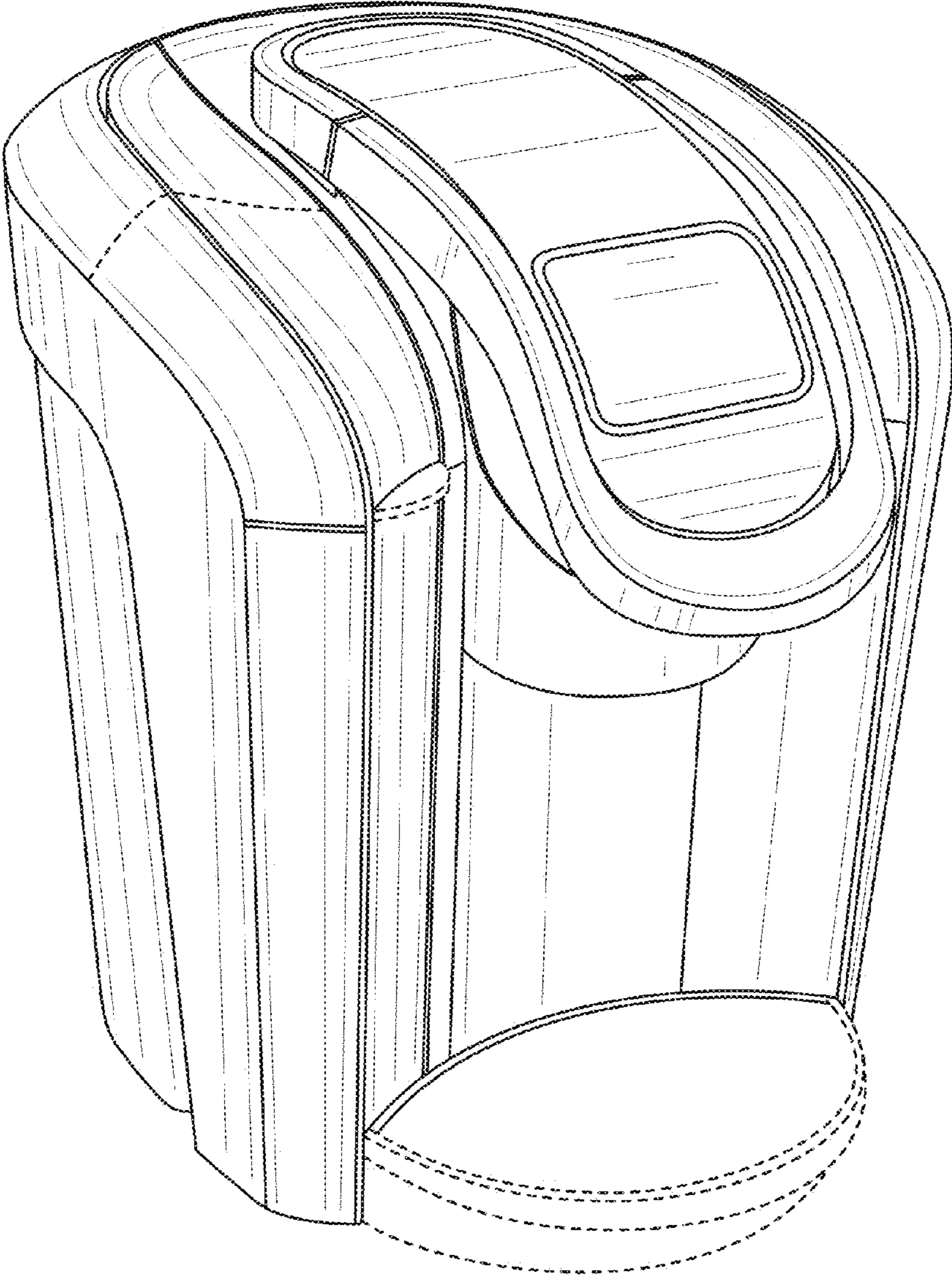


FIG. 1

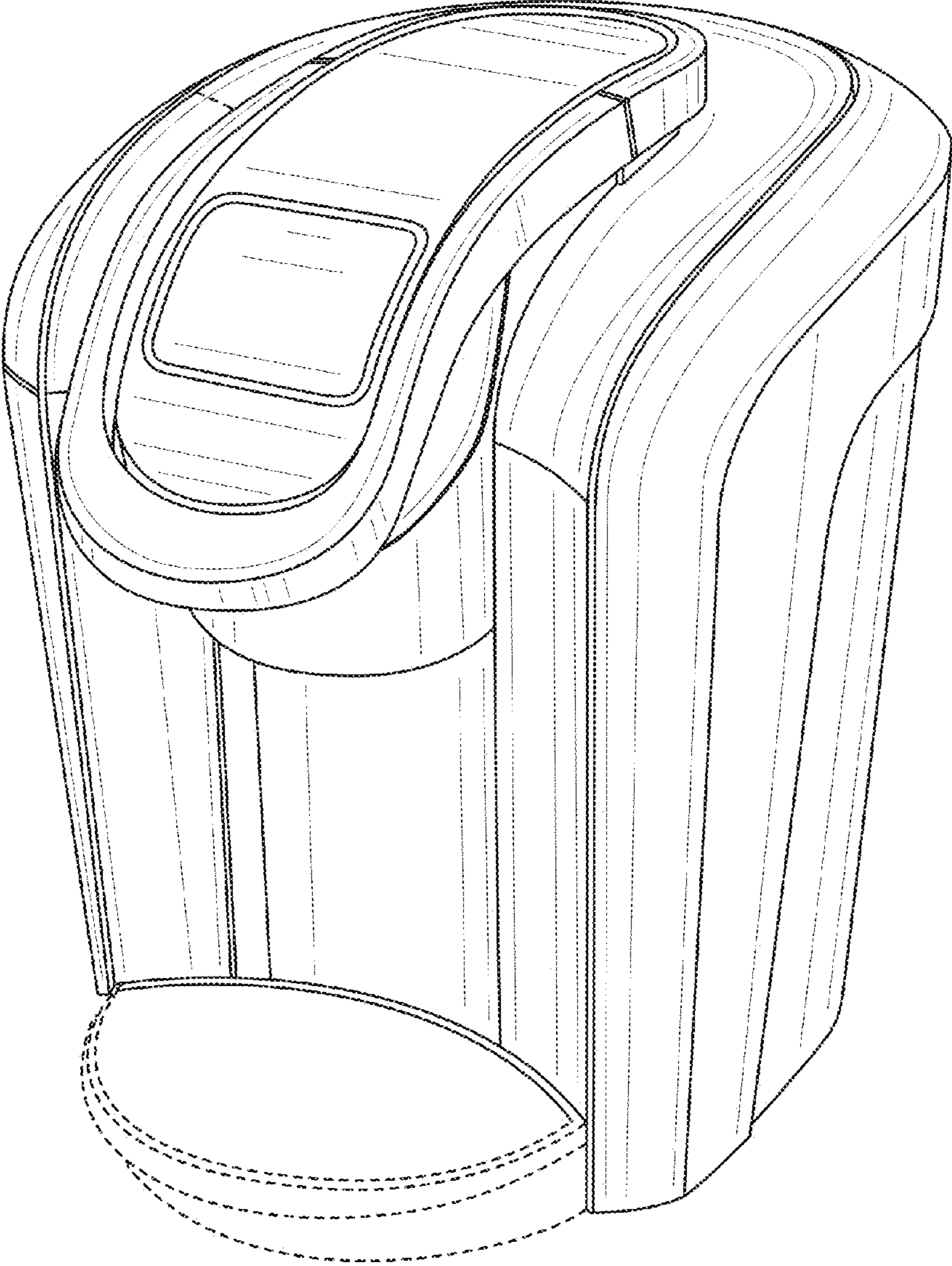


FIG. 2

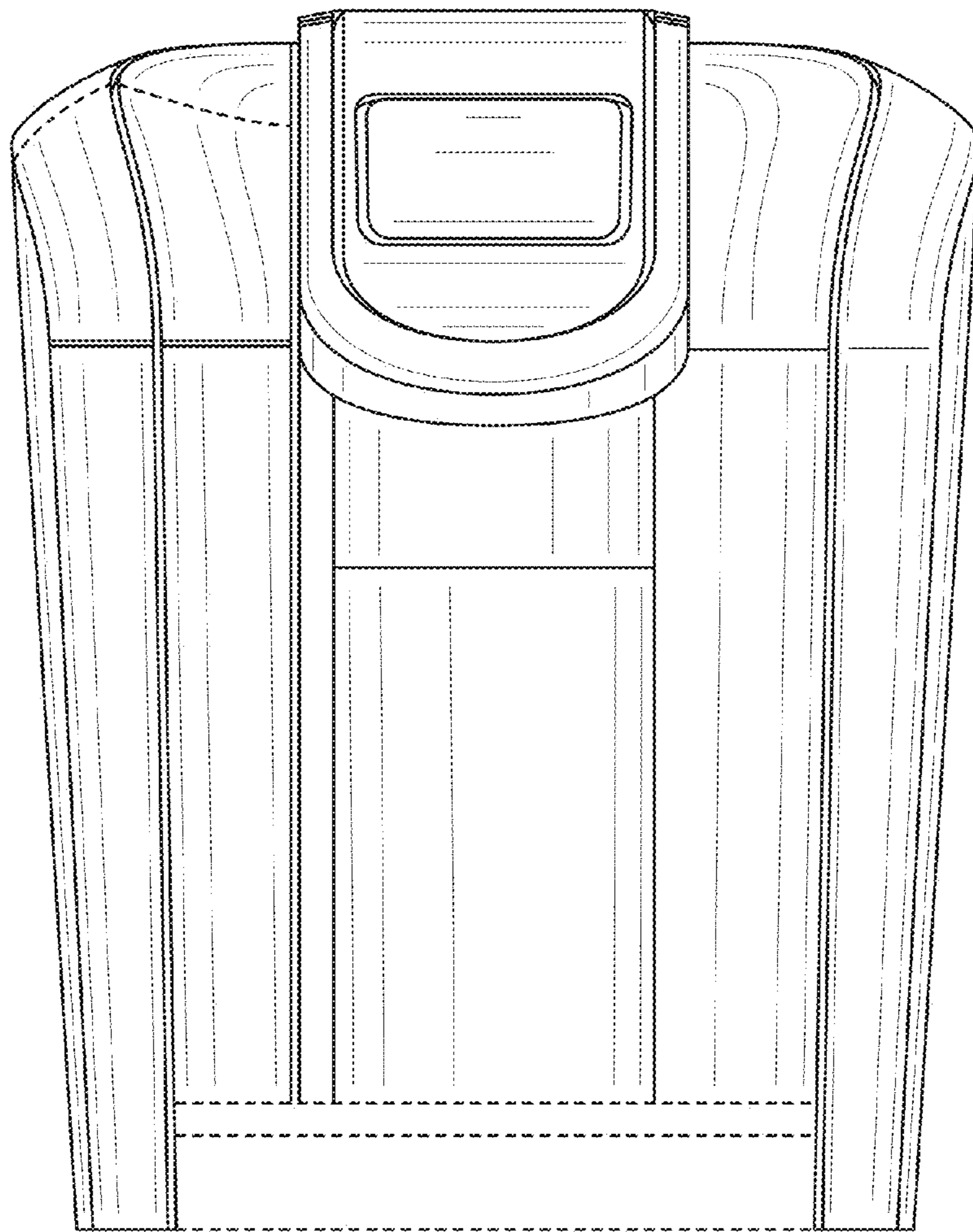


FIG. 3

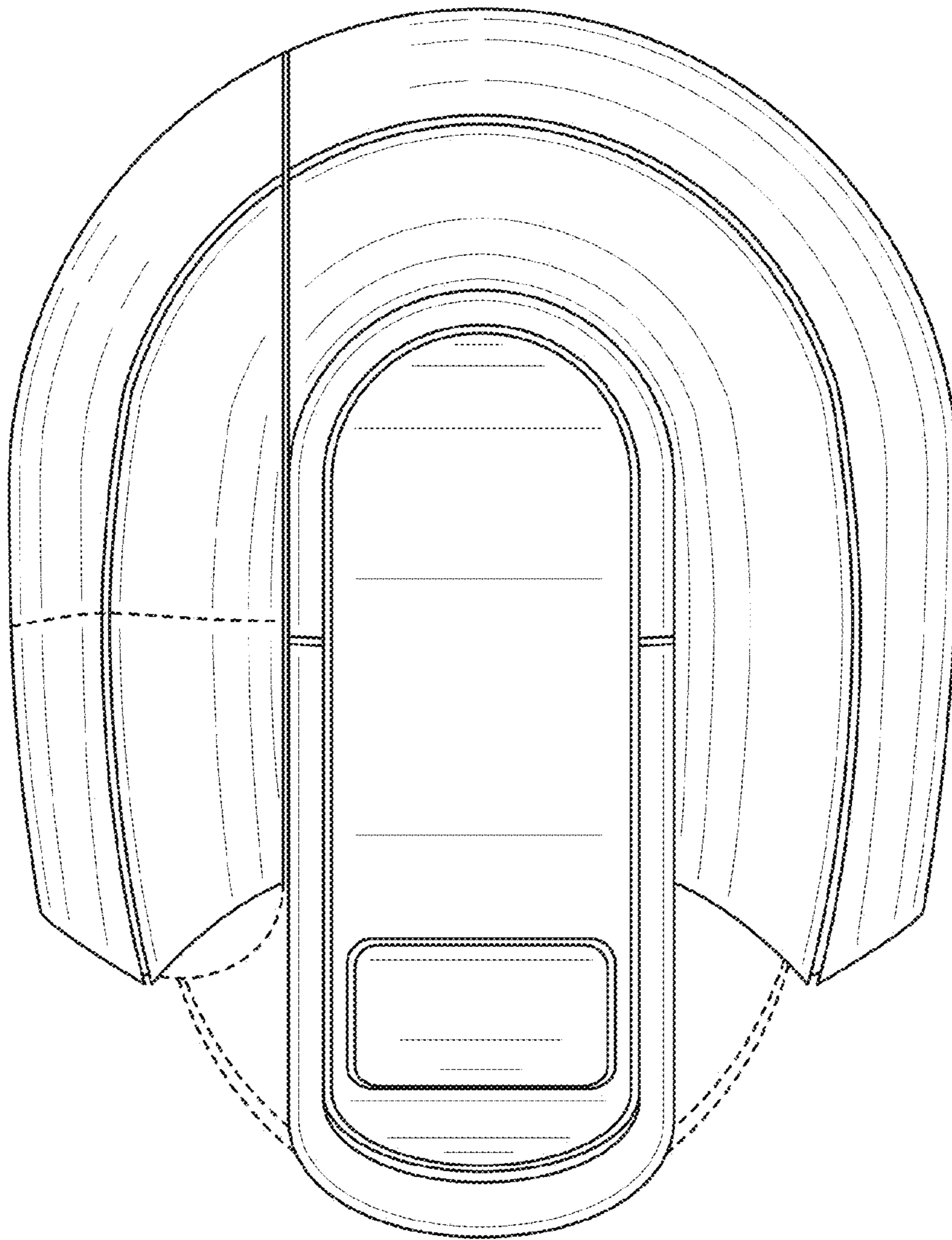


FIG. 4

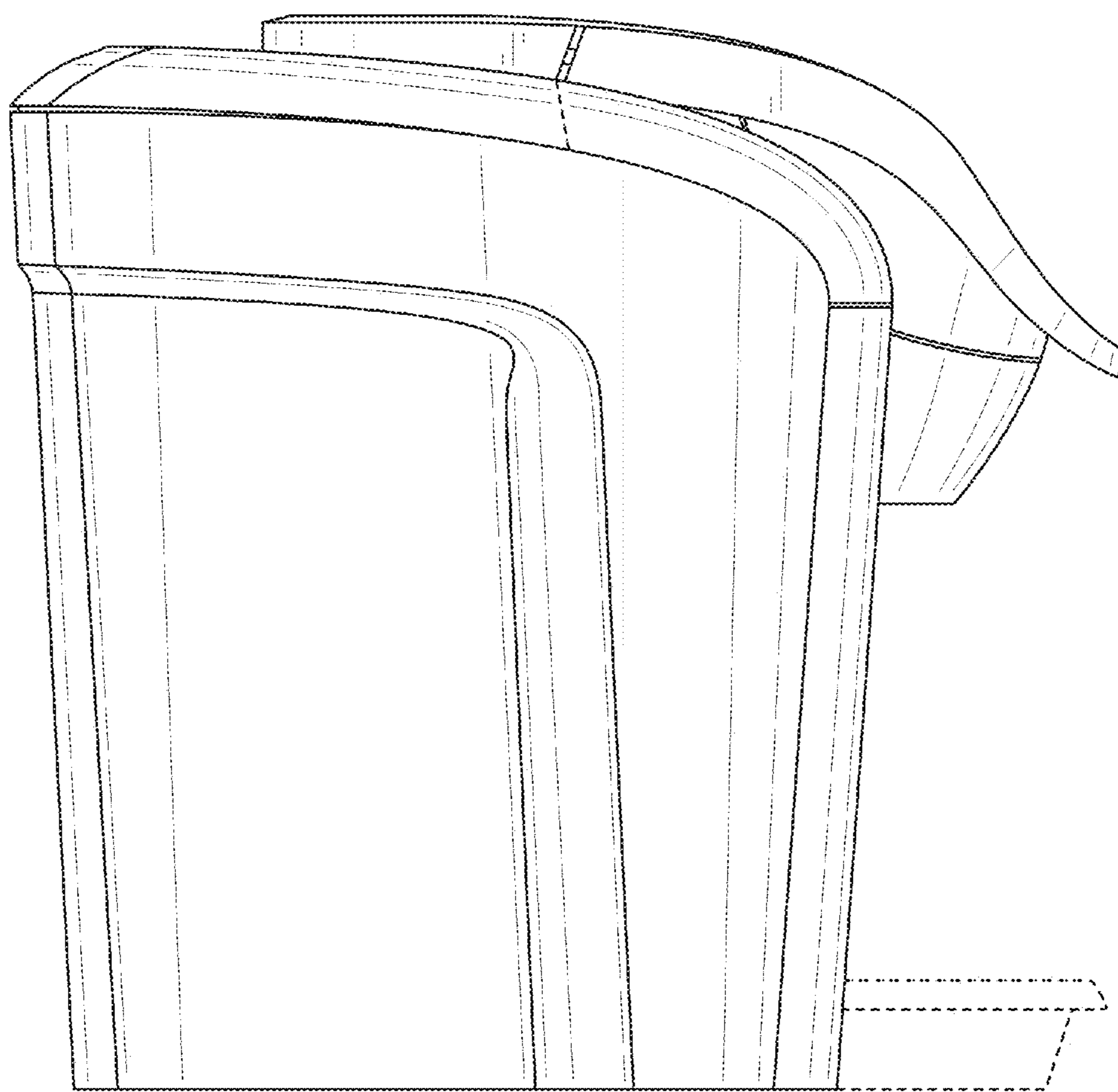


FIG. 5

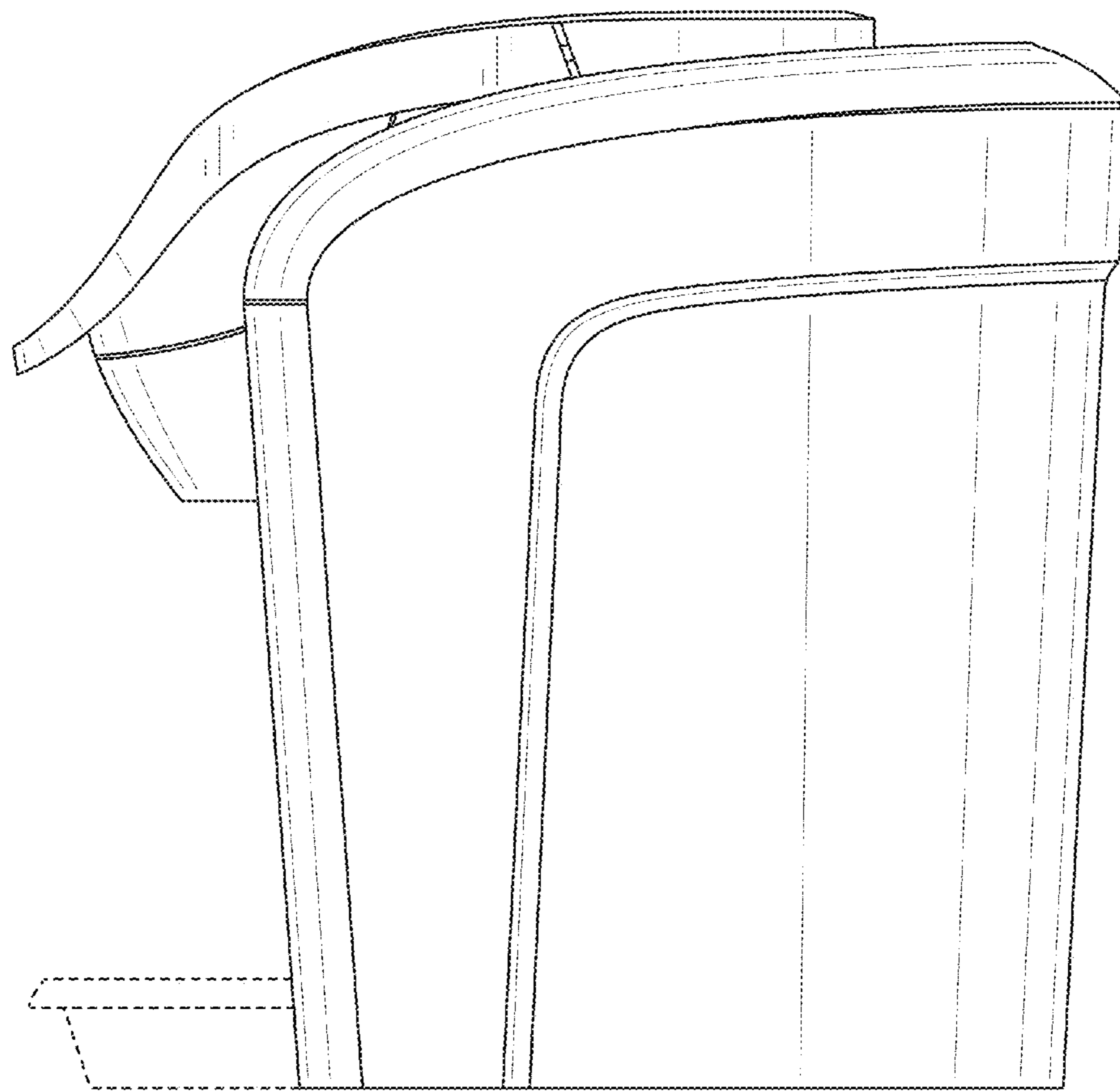


FIG. 6

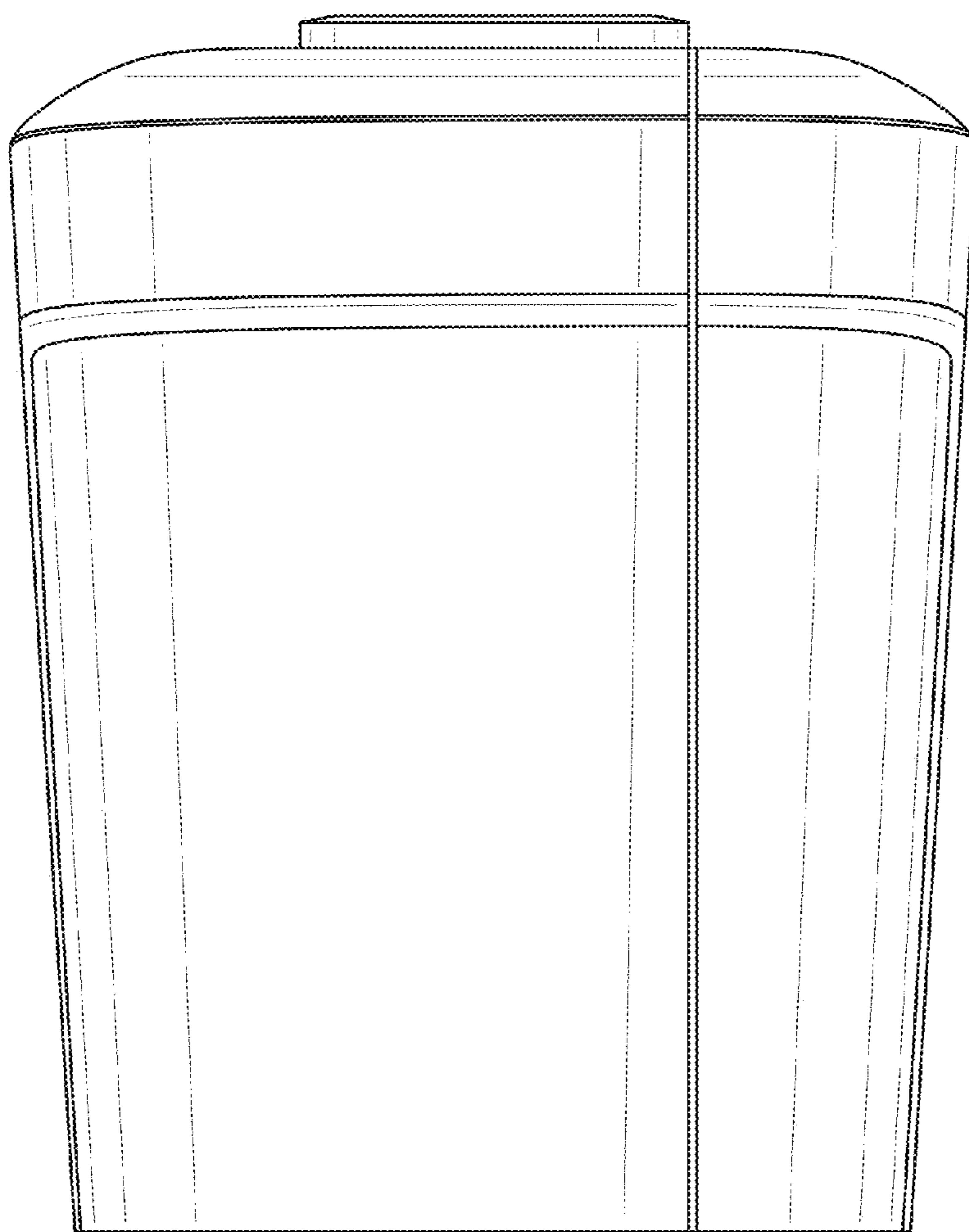


FIG. 7

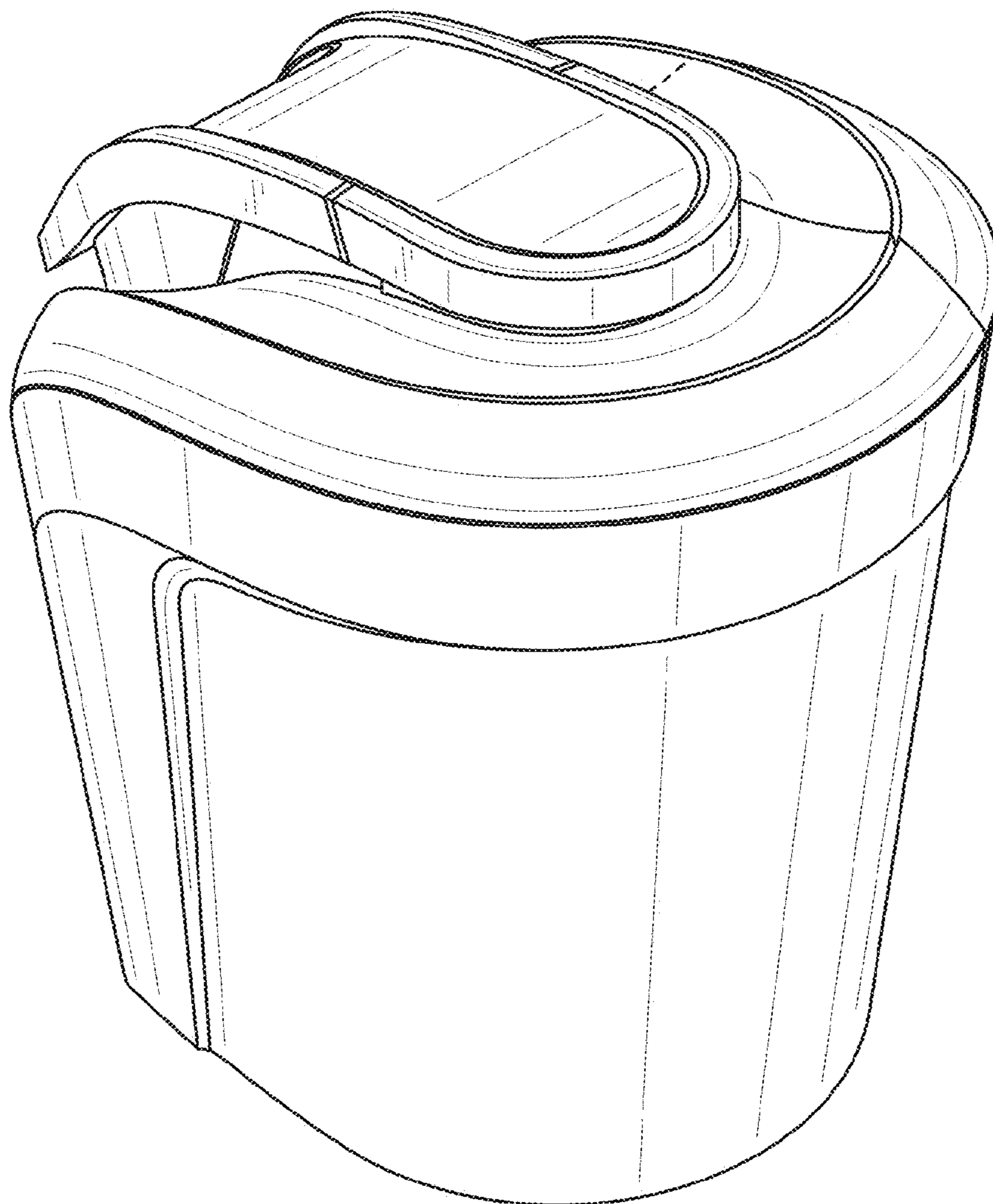


FIG. 8

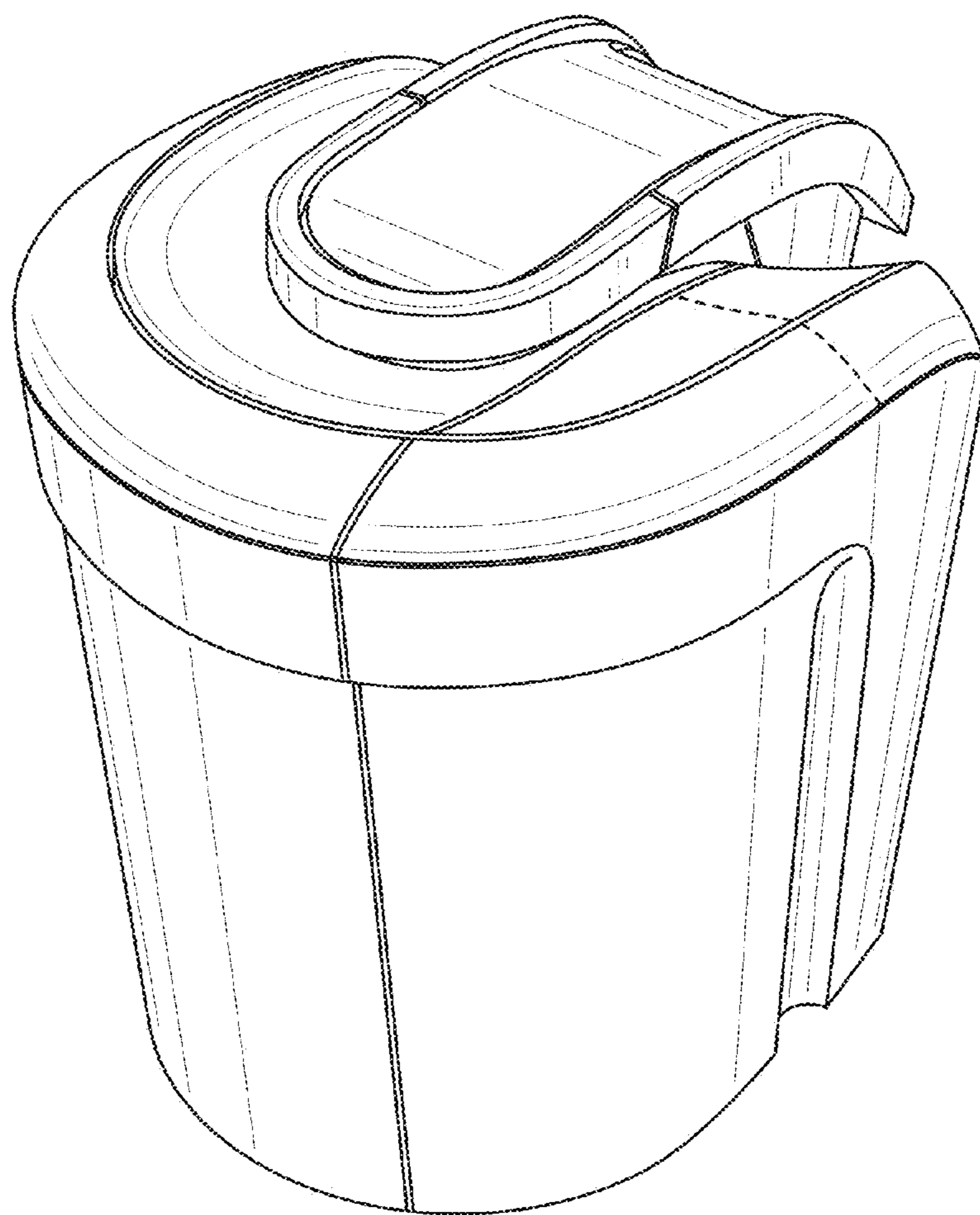


FIG. 9