



US00D722461S

(12) **United States Design Patent**
Braun

(10) **Patent No.:** **US D722,461 S**
(45) **Date of Patent:** **** Feb. 17, 2015**

(54) **PURSE STAND**

(71) Applicant: **Pursenal Butler**, Surrey (CA)

(72) Inventor: **Deborah Braun**, Surrey (CA)

(73) Assignee: **Pursenal Butler**, Surrey, BC

(**) Term: **14 Years**

(21) Appl. No.: **29/465,257**

(22) Filed: **Aug. 26, 2013**

(51) **LOC (10) Cl.** **06-06**

(52) **U.S. Cl.**
USPC **D6/682.6**; D3/234; D3/238; D3/243;
D6/681.3

(58) **Field of Classification Search**
CPC Y10S 248/914; Y10S 248/915; Y10S 2/92
USPC D3/232, 233, 238, 240, 243, 245, 246,
D3/318, 324, 327, 328; D6/681.1, 681.2,
D6/681.3, 681.6, 315; D8/331, 336, 342;
150/100, 108, 110, 131, 150, 152;
190/103; 16/405; 224/191; 70/68

See application file for complete search history.

(56) **References Cited**

U.S. PATENT DOCUMENTS

D35,223 S *	10/1901	Boggs	D6/415
1,883,702 A *	10/1932	Gomi	150/108
D125,246 S *	2/1941	Pichel	D3/324
D138,543 S *	8/1944	Pichel	D3/324
D175,139 S *	7/1955	Allen	D6/412

(Continued)

FOREIGN PATENT DOCUMENTS

EM	001693110-0001	*	4/2010
WO	WOD039860-006	*	4/1997

OTHER PUBLICATIONS

Cassandra LA Gem Calf Hair Evening Bag, announced Feb. 15, 2013, [online], [site visited Sep. 9, 2014]. Available from Internet, <URL:http://www.bagbliss.com/clutch/cassandra-la-gem-calf-hair-evening-bag/>.*

(Continued)

Primary Examiner — Cathron Brooks

Assistant Examiner — Catherine Posthauer

(74) *Attorney, Agent, or Firm* — SoCal IP Law Group LLP; M. Kala Sarvaiya

(57) **CLAIM**

The ornamental design for a purse stand, as shown and described.

DESCRIPTION

A portion of the disclosure of this patent document contains material which is subject to copyright protection. This patent document may show and/or describe matter which is or may become trade dress of the owner. The copyright and trade dress owner has no objection to the facsimile reproduction by anyone of the patent disclosure as it appears in the Patent and Trademark Office patent files or records, but otherwise reserves all copyright and trade dress rights whatsoever.

FIG. 1 is a perspective view of a first embodiment of a purse stand.

FIG. 2 is a top plan view thereof.

FIG. 3 is a bottom plan view thereof.

FIG. 4 is a front side elevation view thereof, the back side elevation view being a mirror image.

FIG. 5 is a right side elevation view thereof, the left side elevation view being a mirror image.

FIG. 6 is a perspective view of a second embodiment of a purse stand.

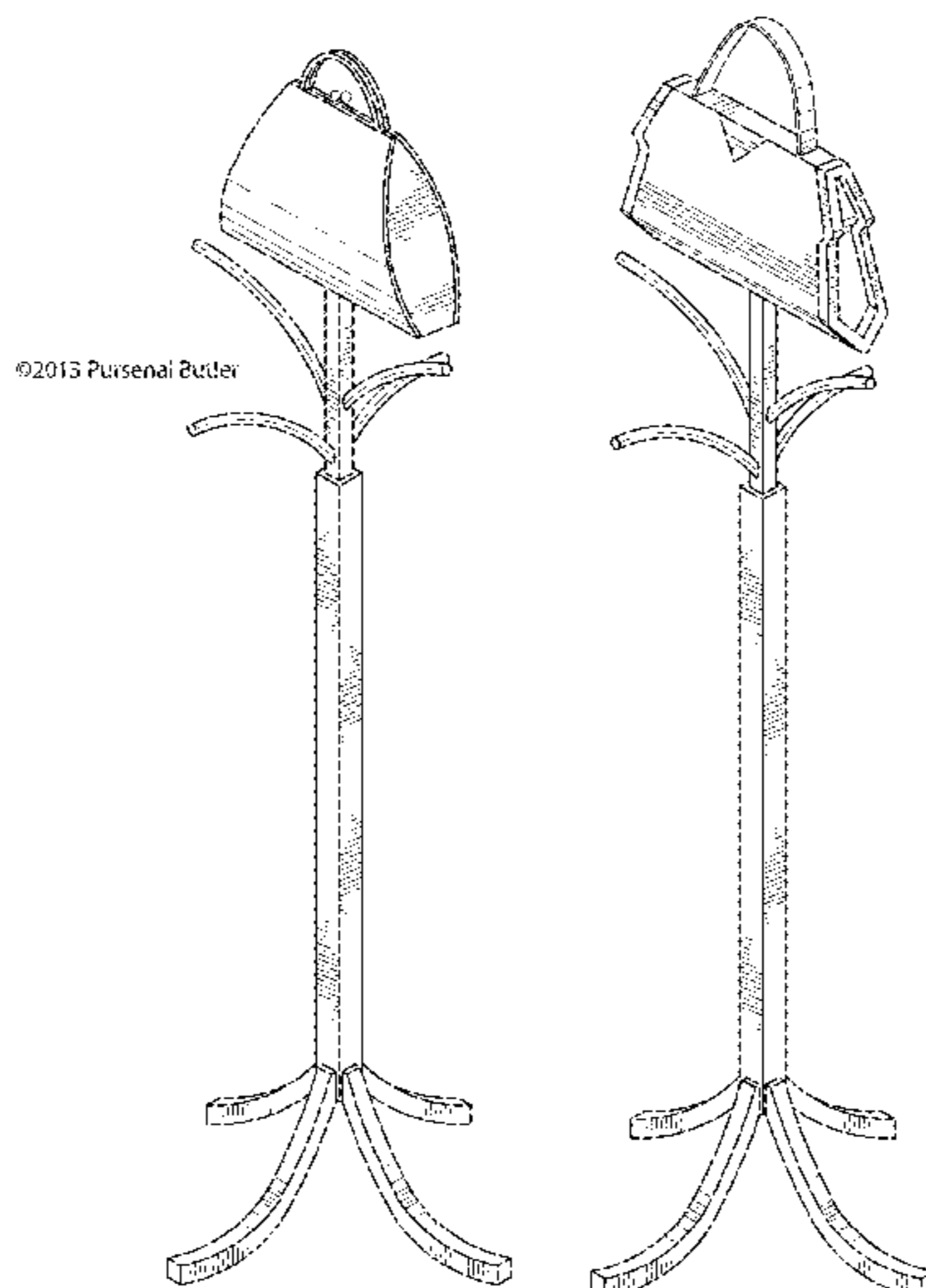
FIG. 7 is a top plan view thereof.

FIG. 8 is a bottom plan view thereof.

FIG. 9 is a front side elevation view thereof, the back side elevation view being a mirror image; and,

FIG. 10 is a right side elevation view thereof, the left side elevation view being a mirror image.

1 Claim, 4 Drawing Sheets



(56)

References Cited

U.S. PATENT DOCUMENTS

D193,433 S * 8/1962 Goldman et al. D6/412
 D195,568 S * 7/1963 Gleitsman et al. D6/412
 3,310,180 A * 3/1967 Neagle 211/205
 D210,786 S * 4/1968 Rodin D6/415
 D231,163 S * 4/1974 Lee D6/412
 D250,866 S * 1/1979 Mulligan D6/404
 D253,077 S * 10/1979 Wolf D6/449
 D285,393 S * 9/1986 Miller D6/412
 D302,081 S * 7/1989 Elliott D6/412
 D306,533 S * 3/1990 Fritsch D6/412
 D322,524 S * 12/1991 Allen D6/411
 D326,374 S * 5/1992 Townsend D6/412
 D326,573 S * 6/1992 Crawford et al. D6/458
 D339,009 S * 9/1993 Evenson D6/411
 D339,249 S * 9/1993 Wu D6/411
 D347,532 S * 6/1994 Doran D6/412
 D369,032 S * 4/1996 Huang et al. D6/412
 D372,156 S * 7/1996 Botsford D6/548
 D375,838 S * 11/1996 Ostrow D3/324
 D410,804 S * 6/1999 Murray D6/455

D428,278 S * 7/2000 Yang D6/412
 D443,413 S * 6/2001 Naiken-Goddin D3/246
 D450,200 S * 11/2001 Lowe D6/411
 D450,474 S * 11/2001 Sokoloff D6/415
 D457,745 S * 5/2002 Han D6/405
 D570,599 S * 6/2008 Yuson et al. D3/246
 D595,518 S * 7/2009 Zapanta D6/449
 7,556,226 B2 * 7/2009 Muncie 248/176.1
 D617,997 S * 6/2010 Johnson et al. D6/315
 D631,249 S * 1/2011 Brinegar D3/238
 D644,432 S * 9/2011 Gerbi D3/245
 D664,788 S * 8/2012 Baylon D6/411
 D697,306 S * 1/2014 Romero D3/232
 D698,146 S * 1/2014 Deneve D3/245
 D699,486 S * 2/2014 Huang et al. D6/681.3

OTHER PUBLICATIONS

Vintage Purse, announced Feb. 21, 2012, [online], [site visited Sep. 9, 2014]. Available from Internet, <URL: <http://dandelionvintage.blogspot.com/2011/08/just-added-1920s-1930s-1940s-and.html>>.*

* cited by examiner

FIG. 1

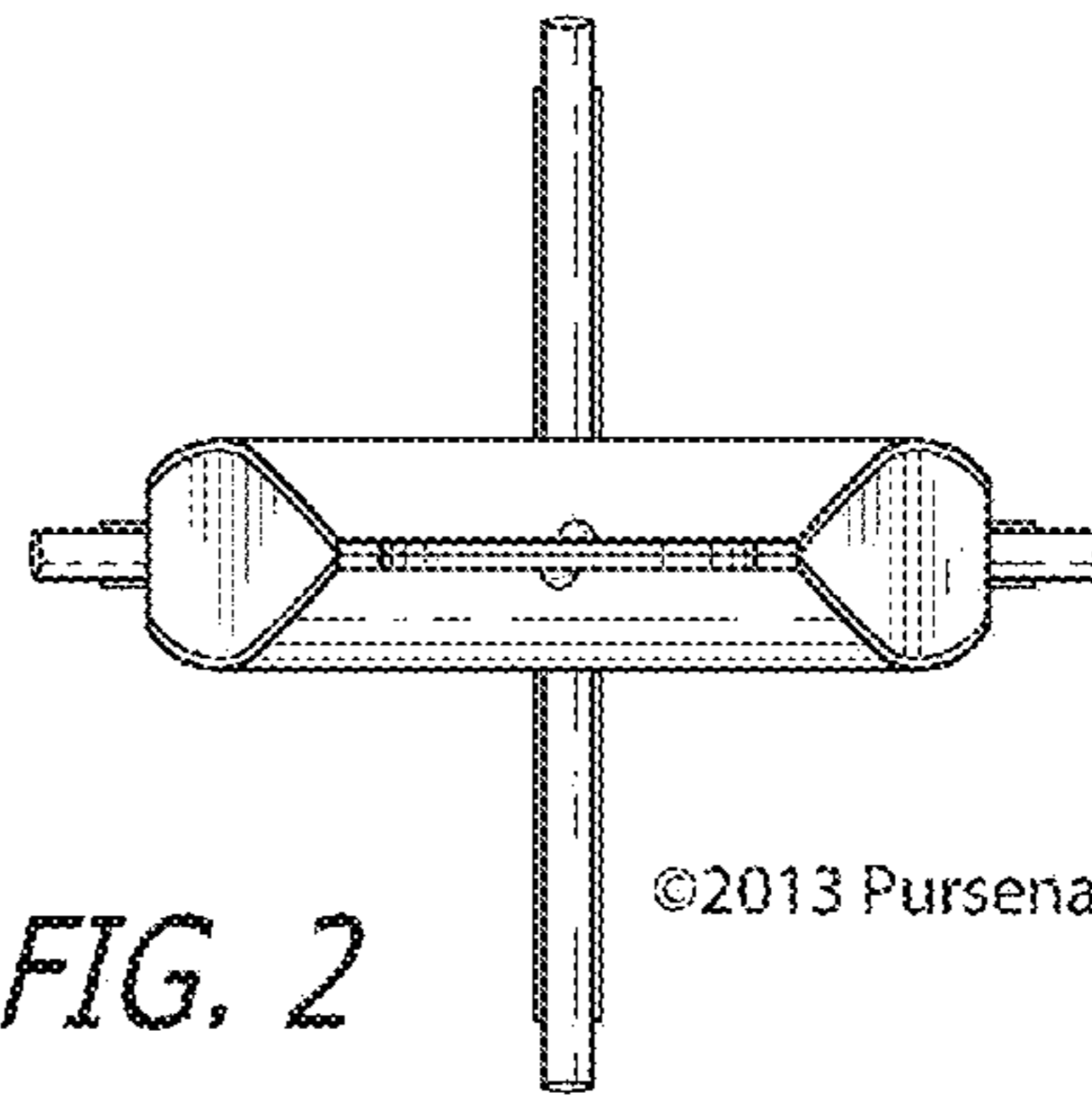
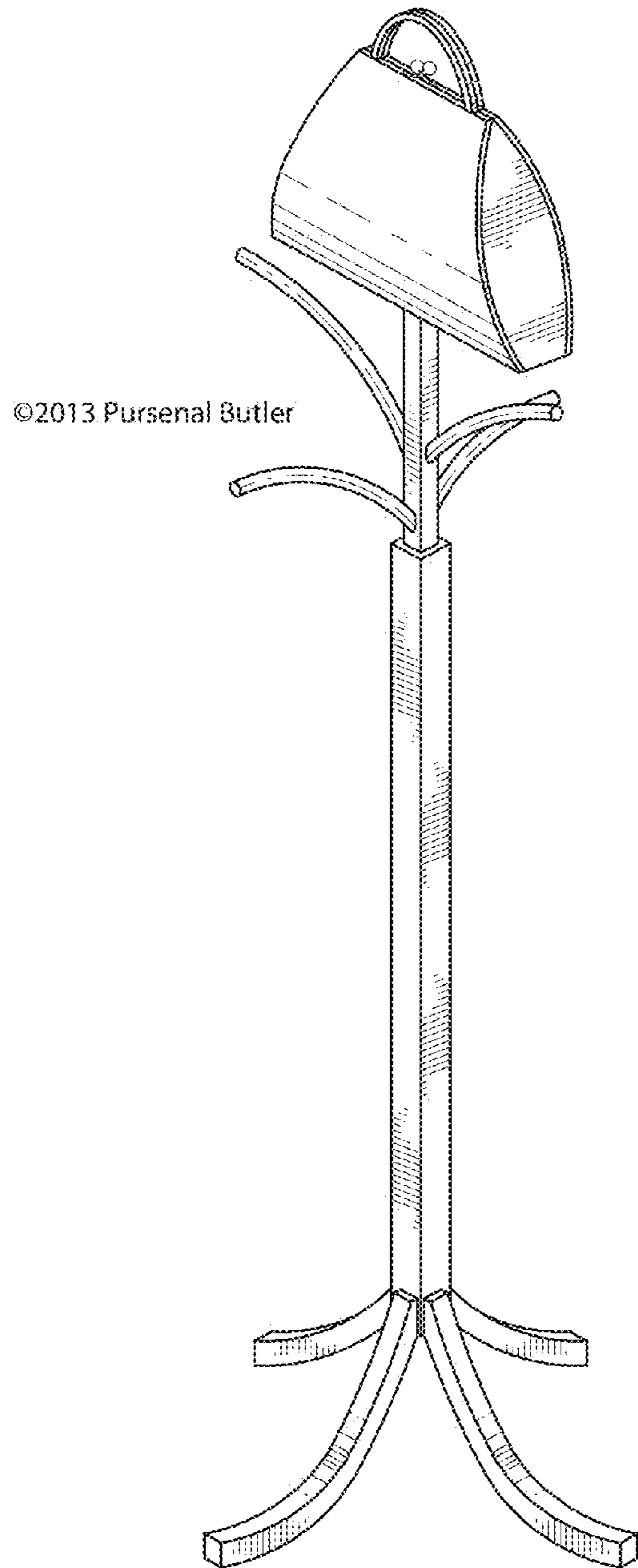


FIG. 2

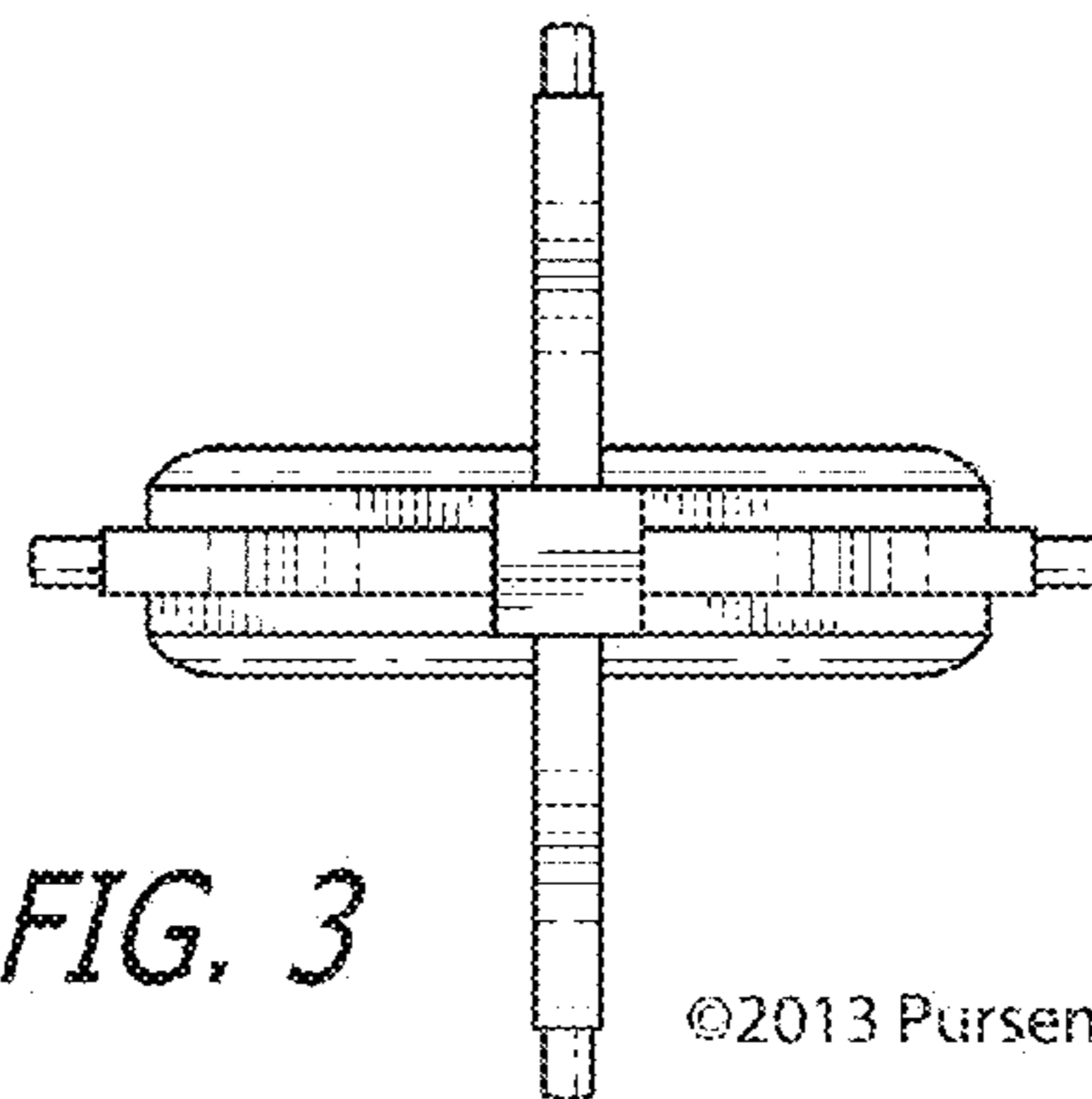


FIG. 3

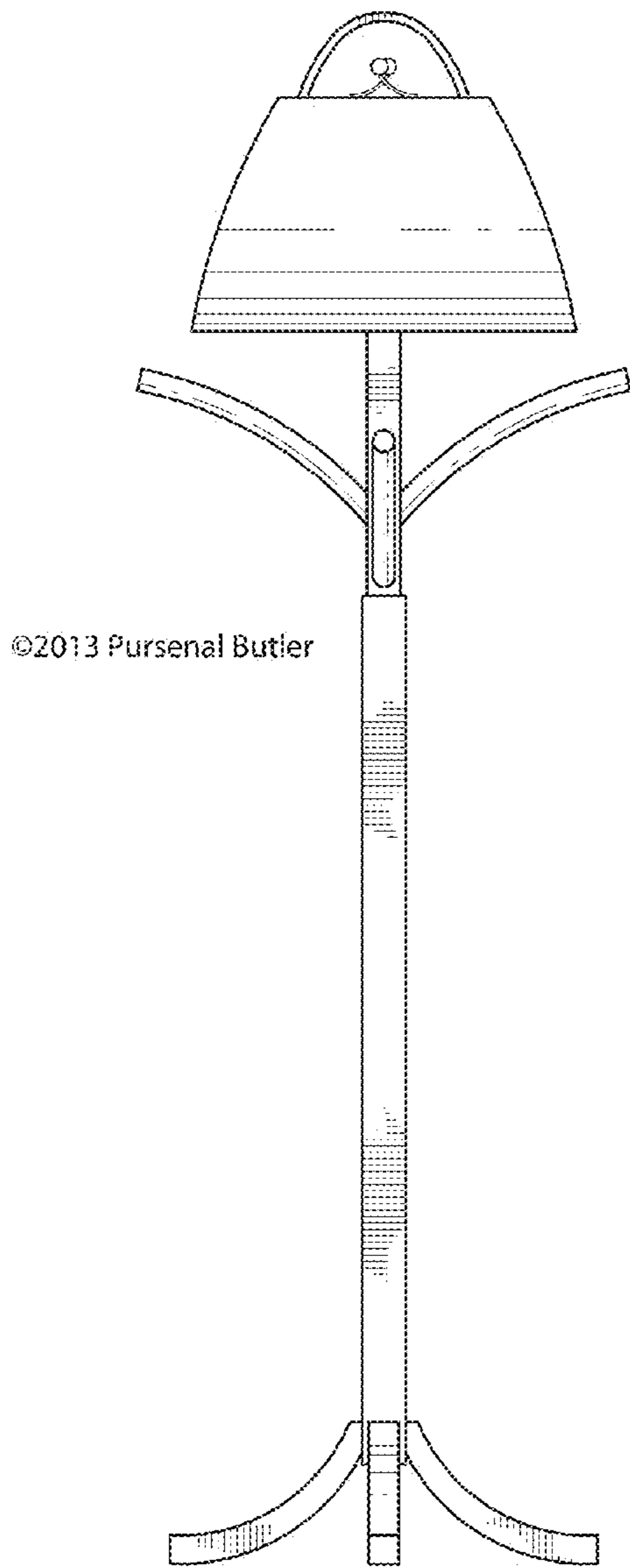


FIG. 4

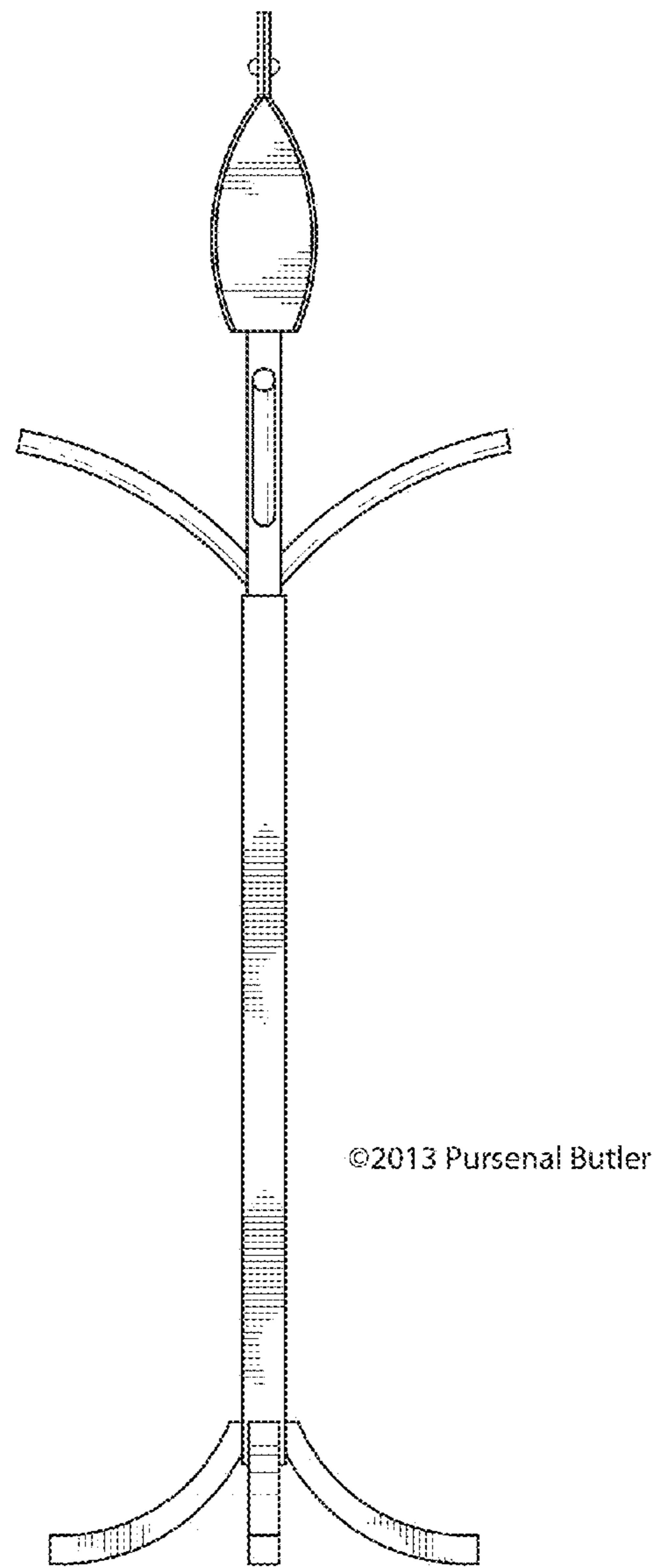


FIG. 5

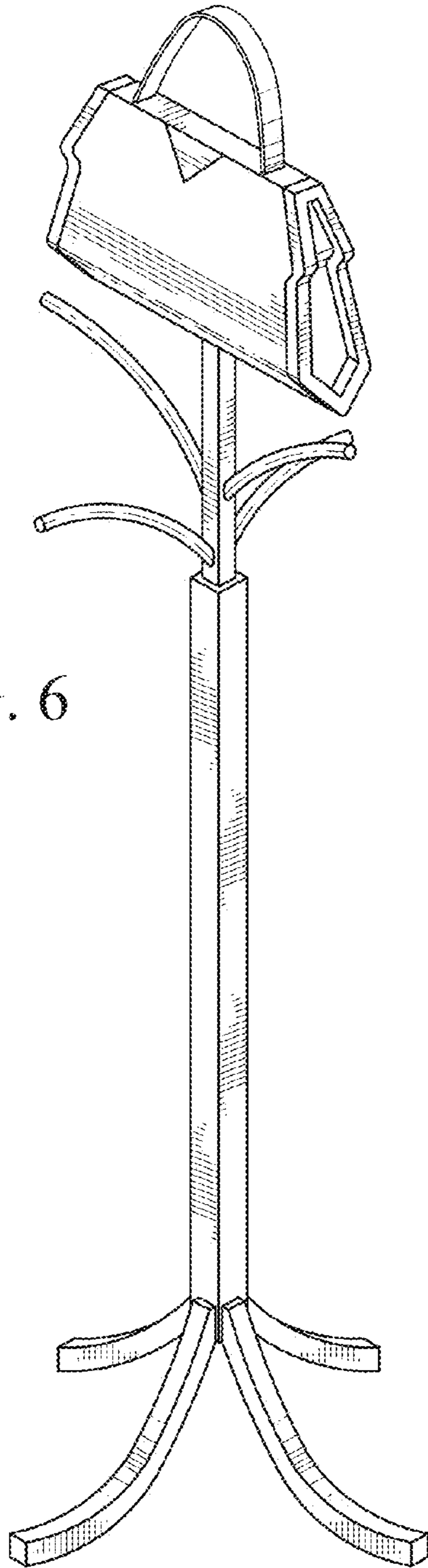


FIG. 6

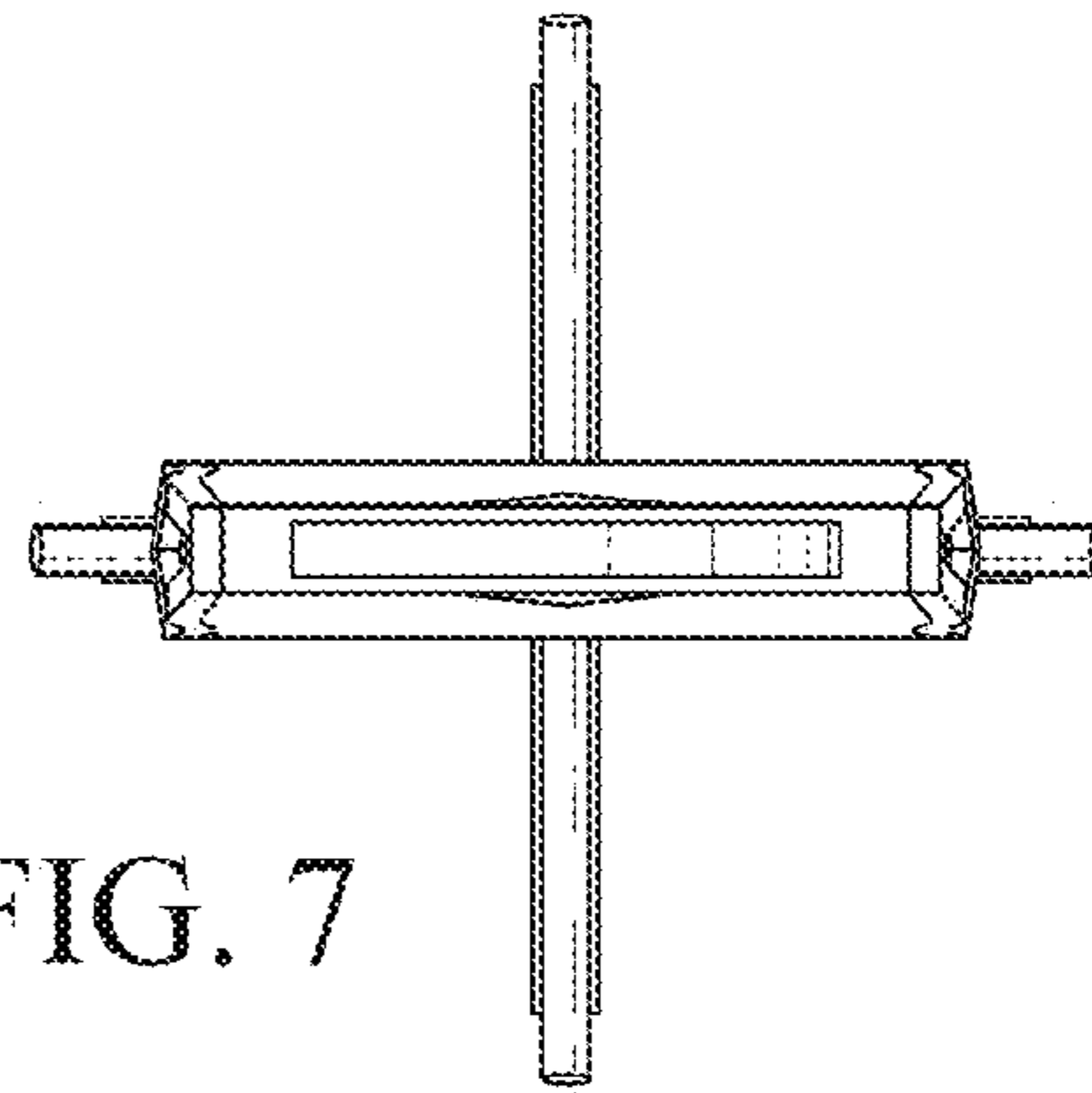


FIG. 7

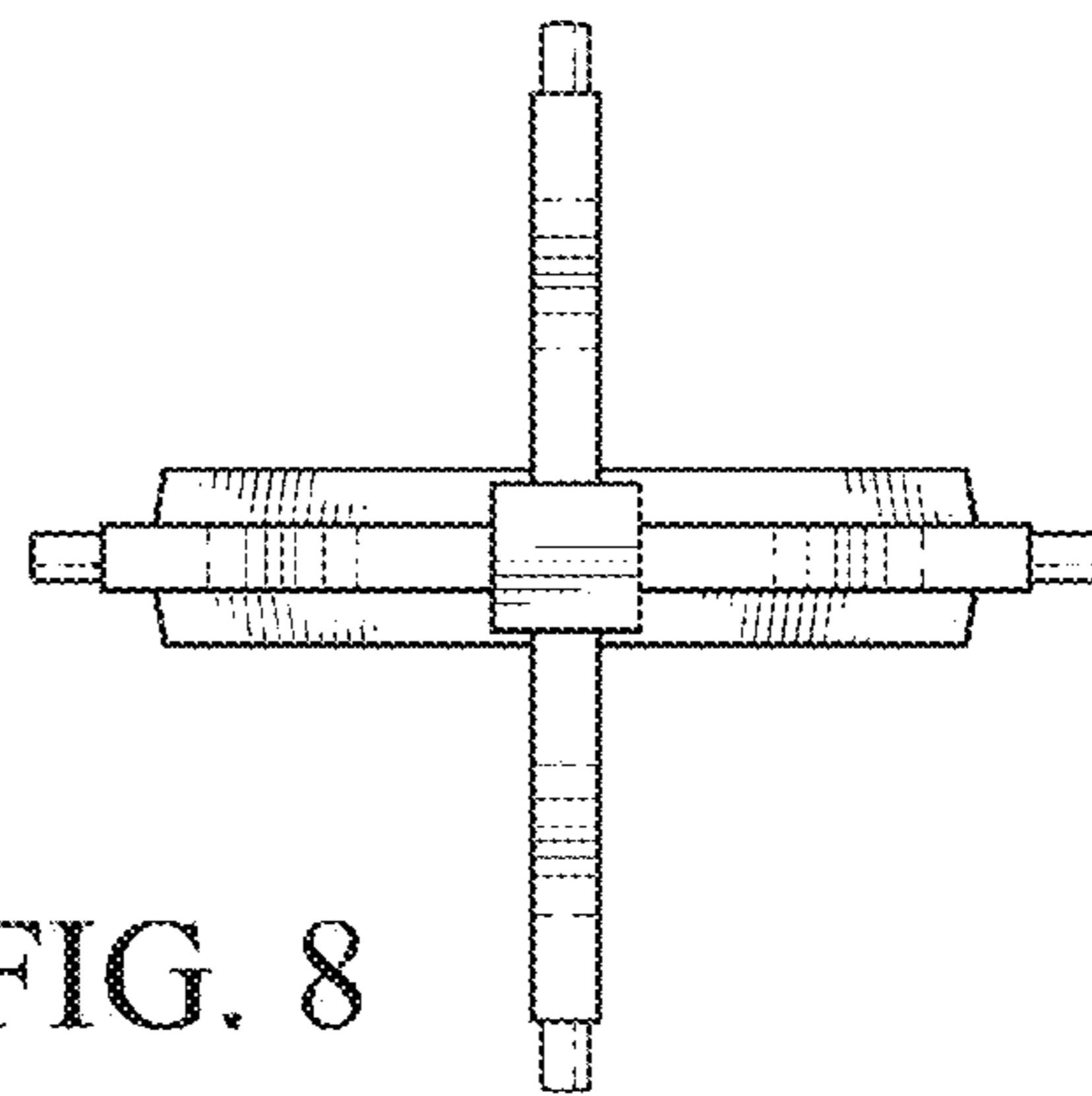


FIG. 8

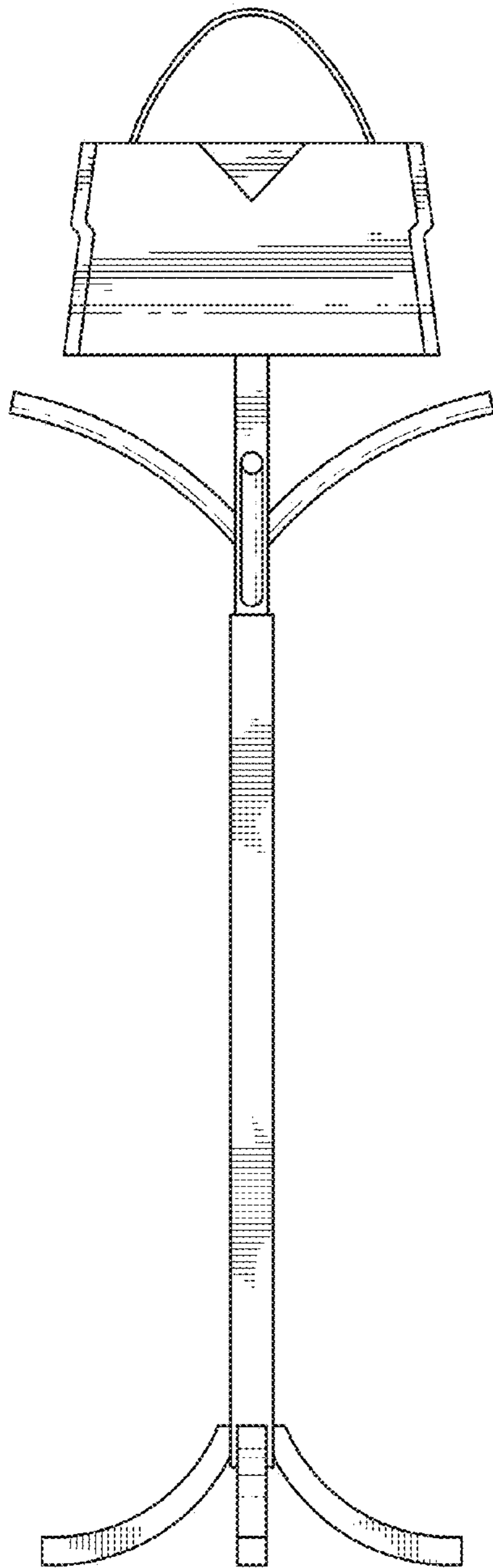


FIG. 9

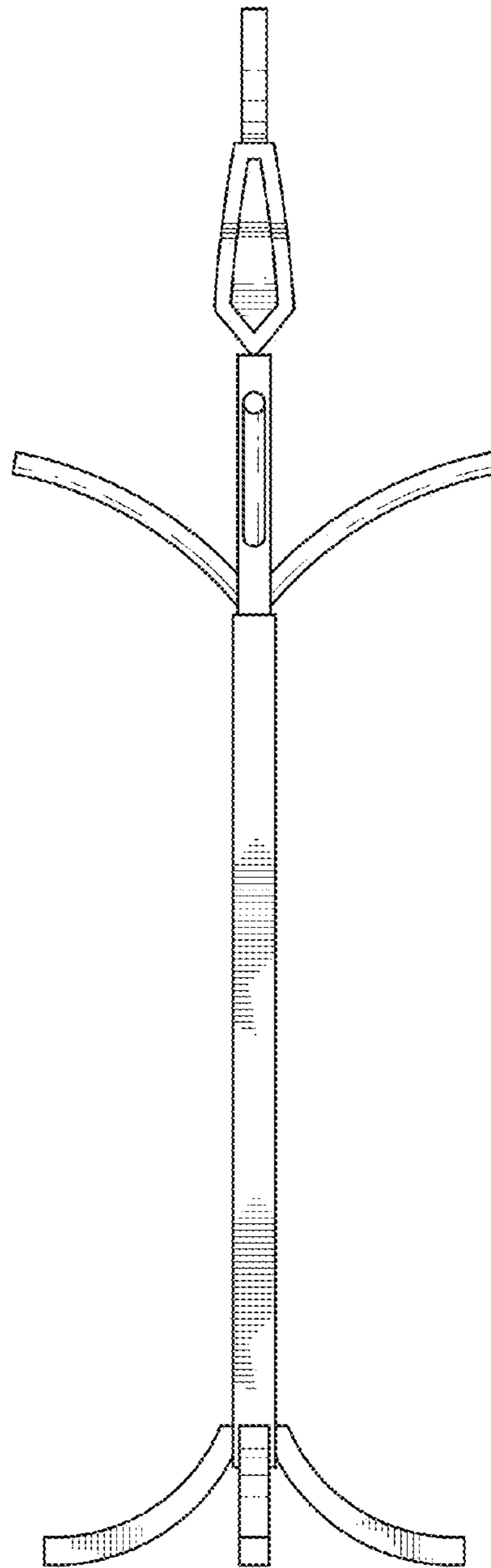


FIG. 10