

US00D722460S

(12) **United States Design Patent**
Shaw

(10) **Patent No.:** **US D722,460 S**

(45) **Date of Patent:** **** Feb. 17, 2015**

(54) **BEVERAGE CONTAINER HOLDER RACK**

(71) Applicant: **Thomas J. Shaw**, Frisco, TX (US)

(72) Inventor: **Thomas J. Shaw**, Frisco, TX (US)

(**) Term: **14 Years**

(21) Appl. No.: **29/464,398**

(22) Filed: **Aug. 15, 2013**

(51) **LOC (10) Cl.** **06-06**

(52) **U.S. Cl.**
USPC **D6/677**

(58) **Field of Classification Search**
USPC D6/409–415, 449, 455–458, 461–462,
D6/464–468, 474, 476, 672, 677;
211/13.1, 85.1, 85.2, 85.3, 85.4, 85.5,
211/30, 33, 78, 163, 196, 197, 198, 199,
211/204–206; 312/133, 322

See application file for complete search history.

(56) **References Cited**

U.S. PATENT DOCUMENTS

D243,892	S *	4/1977	Ferriter et al.	D6/461
4,144,662	A *	3/1979	Drexler	40/661
D263,528	S *	3/1982	Gunnigle	D6/457
D329,548	S *	9/1992	Wells et al.	D6/407
D399,394	S *	10/1998	Rapaz	D7/590
6,585,119	B2 *	7/2003	Palder	211/49.1

D477,934	S *	8/2003	Goossens	D6/457
D484,331	S *	12/2003	Peyker	D6/468
6,755,310	B1 *	6/2004	Hilton et al.	211/59.2
D534,372	S *	1/2007	Babbino et al.	D6/457
7,275,647	B1 *	10/2007	Thompson	211/85.18
D669,741	S	10/2012	Shaw		
8,292,096	B2 *	10/2012	Thompson	211/77
8,336,721	B2 *	12/2012	Traldi	211/85.4
D696,051	S *	12/2013	Scatterday	D6/680.2
2012/0211629	A1	8/2012	Shaw		

* cited by examiner

Primary Examiner — Kelley Donnelly

(74) *Attorney, Agent, or Firm* — Ross Barnes LLP; Monty L. Ross; Robin L. Barnes

(57) **CLAIM**

The ornamental design for a beverage container holder rack, as shown and described.

DESCRIPTION

FIG. 1 is a perspective view of a beverage container holder rack as shown and described;
FIG. 2 is a top plan view thereof;
FIG. 3 is a front elevation view thereof;
FIG. 4 is a left side elevation view thereof;
FIG. 5 is a right side elevation view thereof;
FIG. 6 is a rear view thereof; and,
FIG. 7 is a front elevation view thereof, as is FIG. 4 with the stacked elements not aligned.

1 Claim, 4 Drawing Sheets

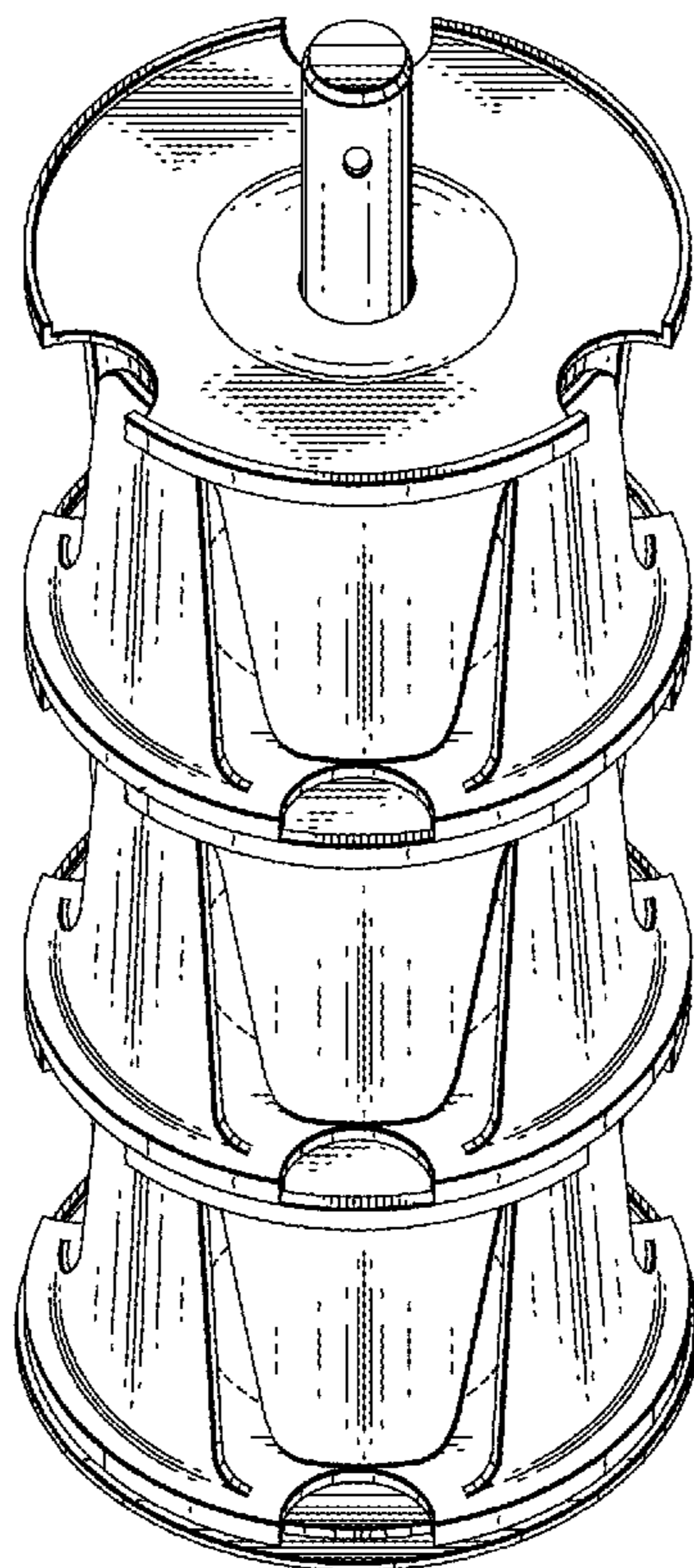


FIG. 1

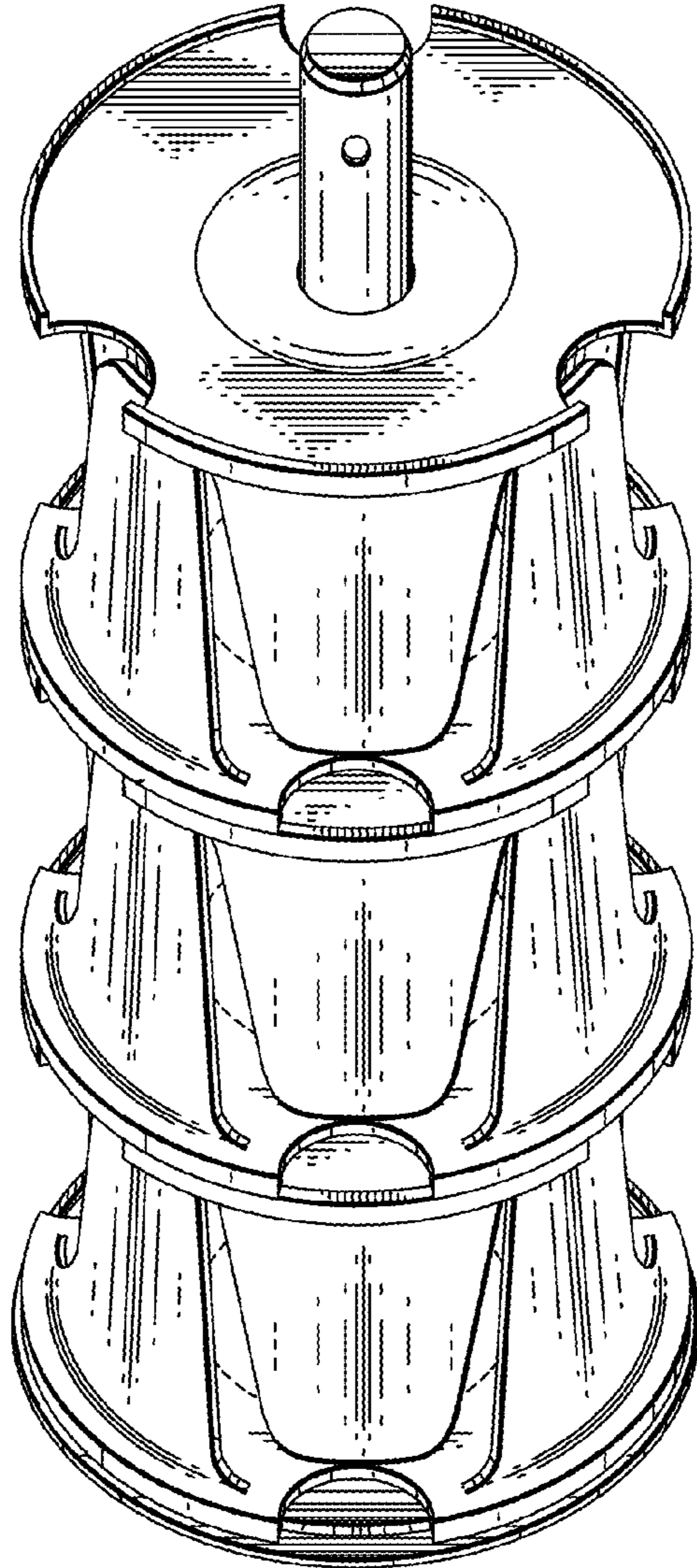


FIG. 2

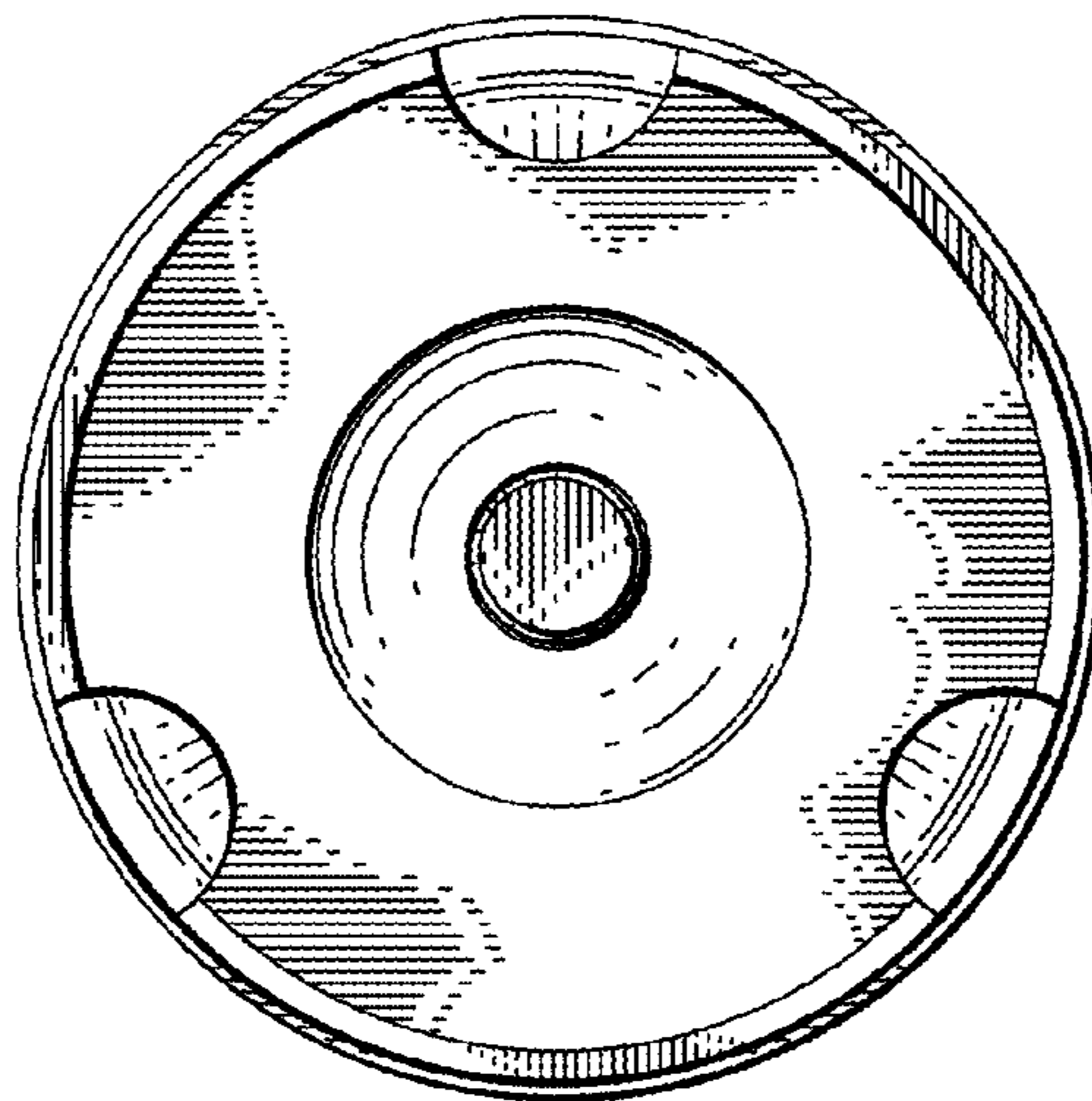


FIG. 3

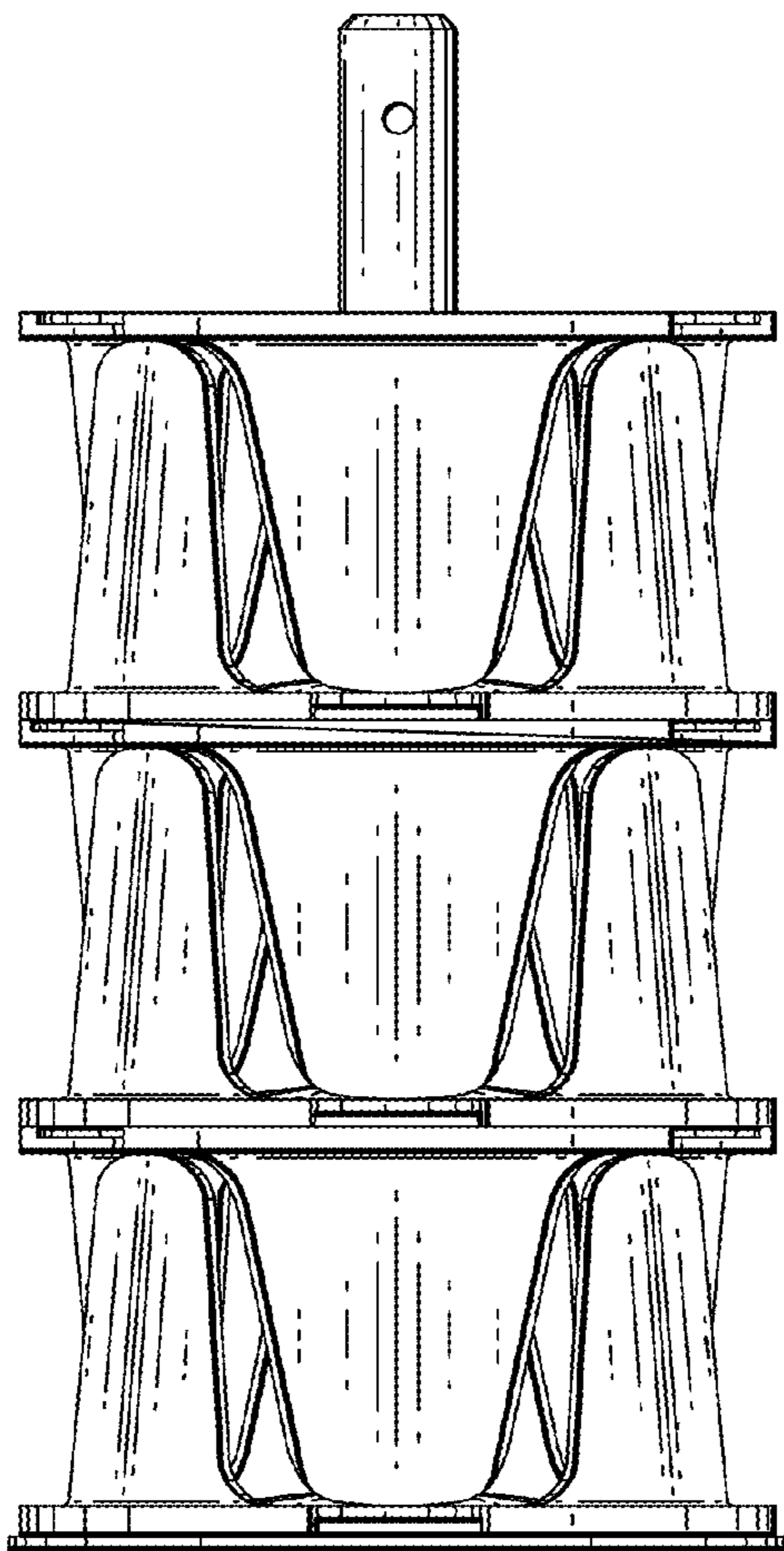


FIG. 4

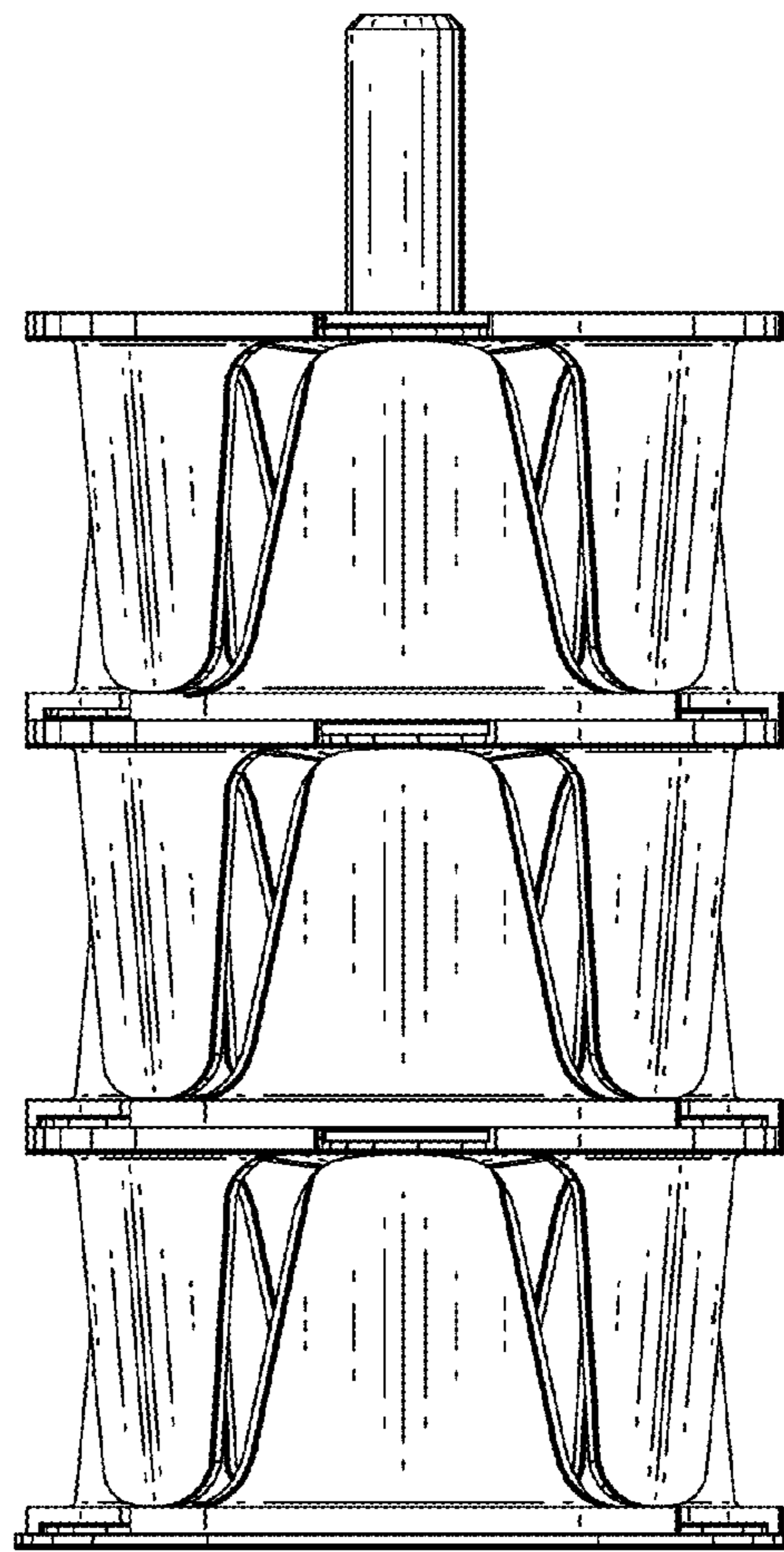


FIG. 5

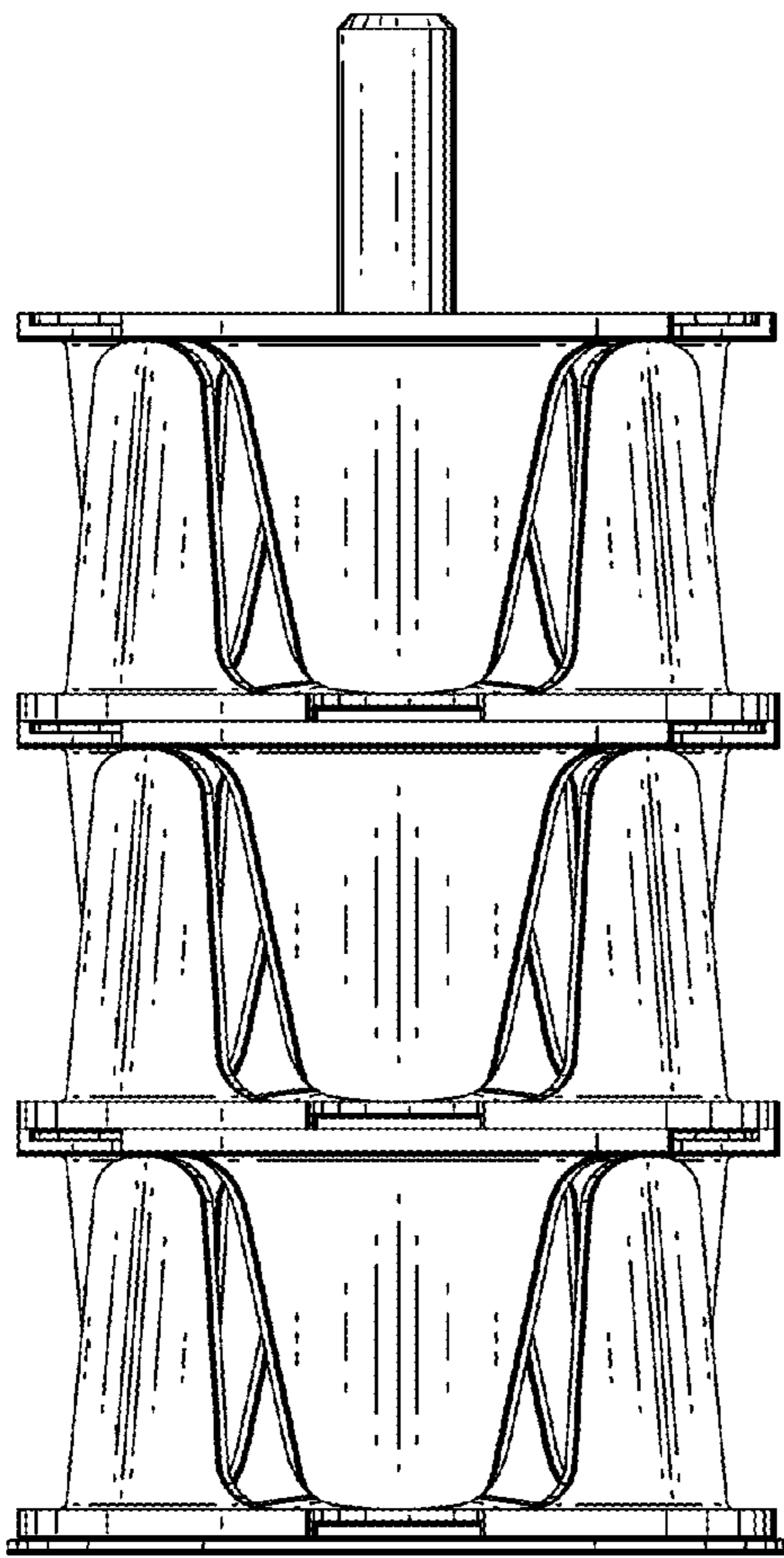


FIG. 6

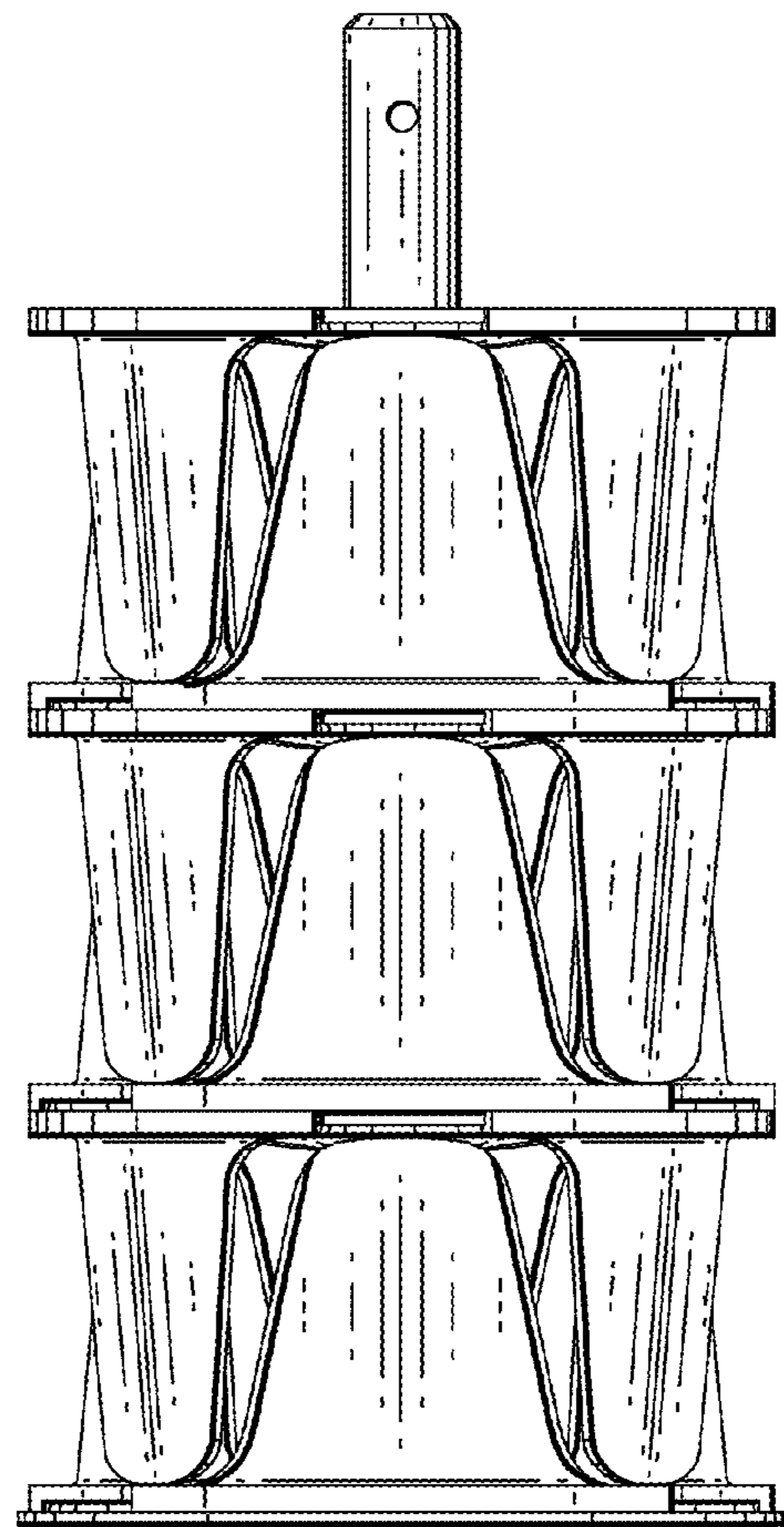


FIG. 7

