



US00D722456S

(12) **United States Design Patent**
Kielwasser

(10) **Patent No.:** **US D722,456 S**

(45) **Date of Patent:** **** Feb. 17, 2015**

(54) **NIGHTSTAND**

(71) Applicant: **Acme Furniture Industry, Inc.**, City of Industry, CA (US)

(72) Inventor: **Bonnie Kielwasser**, Hillsborough, NC (US)

(73) Assignee: **Acme Furniture Industry, Inc.**, City of Industry, CA (US)

(**) Term: **14 Years**

(21) Appl. No.: **29/467,471**

(22) Filed: **Sep. 19, 2013**

(51) **LOC (10) Cl.** **06-04**

(52) **U.S. Cl.**
USPC **D6/665; D6/671.1**

(58) **Field of Classification Search**
CPC A47F 3/00; A47F 3/005; A47B 17/04;
A47B 67/005; A47B 47/03
USPC D6/663, 664, 664.1, 665, 671, 671.1,
D6/671.2; 312/114, 138.1, 204, 224,
312/257.1, 330.1
See application file for complete search history.

(56) **References Cited**

U.S. PATENT DOCUMENTS

D353,282 S * 12/1994 Keller D6/671.1
D374,785 S * 10/1996 Keller et al. D6/671.1

D400,029 S * 10/1998 Zaidman D6/671.1
D401,447 S * 11/1998 Hazen et al. D6/671.1
D401,781 S * 12/1998 Zaidman D6/671.1
D569,652 S * 5/2008 Kanthasamy D6/671.1

* cited by examiner

Primary Examiner — Mimoso De

(74) *Attorney, Agent, or Firm* — Ardent Law Group, PC;
Anthony King

(57) **CLAIM**

The ornamental design for a nightstand, as shown and described.

DESCRIPTION

FIG. 1 is a perspective view of a nightstand of the present invention;

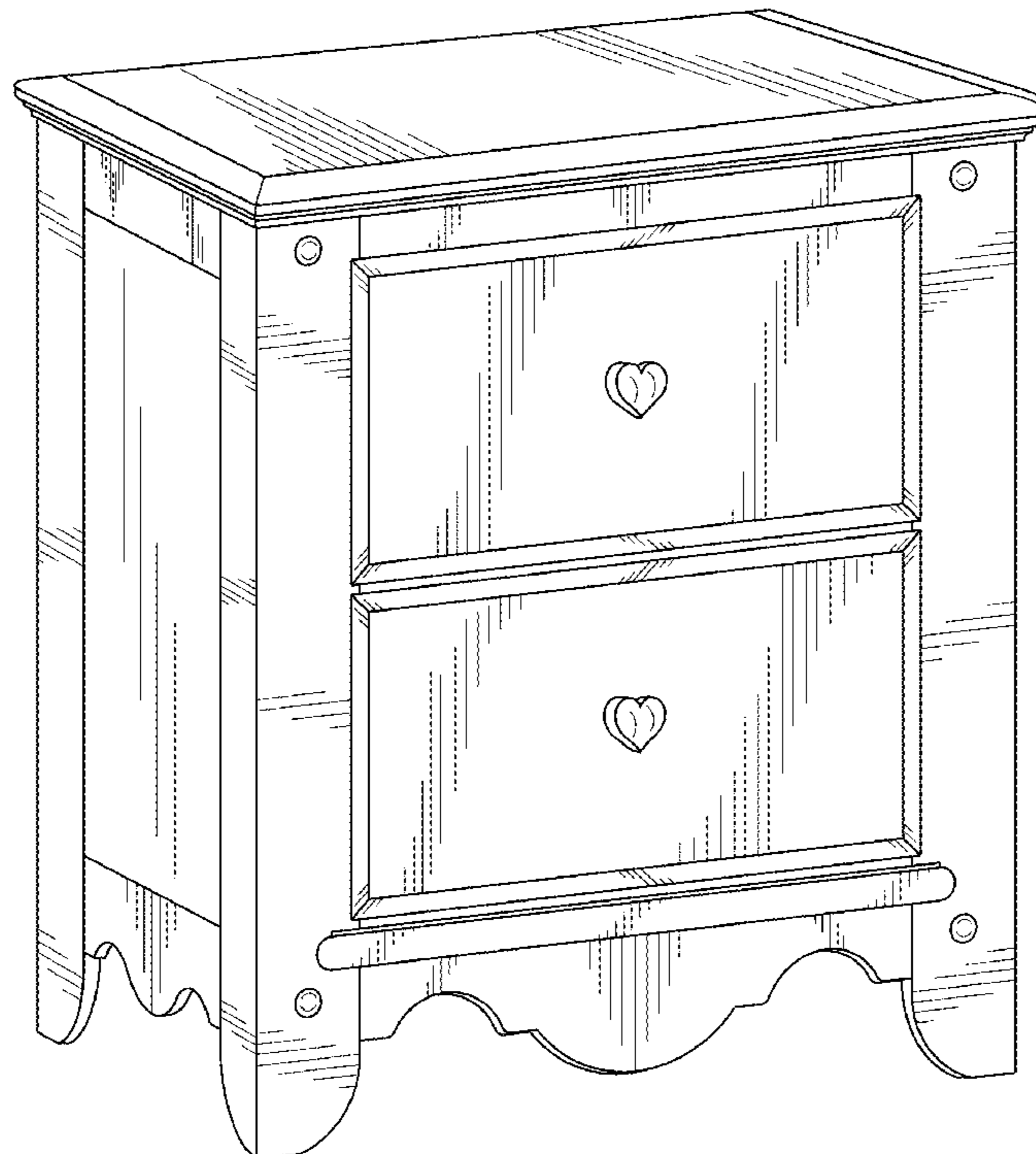
FIG. 2 is a front view of the nightstand of FIG. 1, the back of the nightstand is not illustrated as it forms no part of the present invention;

FIG. 3 is a right side view of the nightstand of FIG. 1, the left side view being a mirror image thereof; and,

FIG. 4 is a top view of the nightstand of FIG. 1, the bottom of the nightstand is not illustrated as it forms no part of the present invention.

The nightstand is typically used in bedroom settings. The nightstand comprises a main central body having two storage drawers within the main central body.

1 Claim, 4 Drawing Sheets



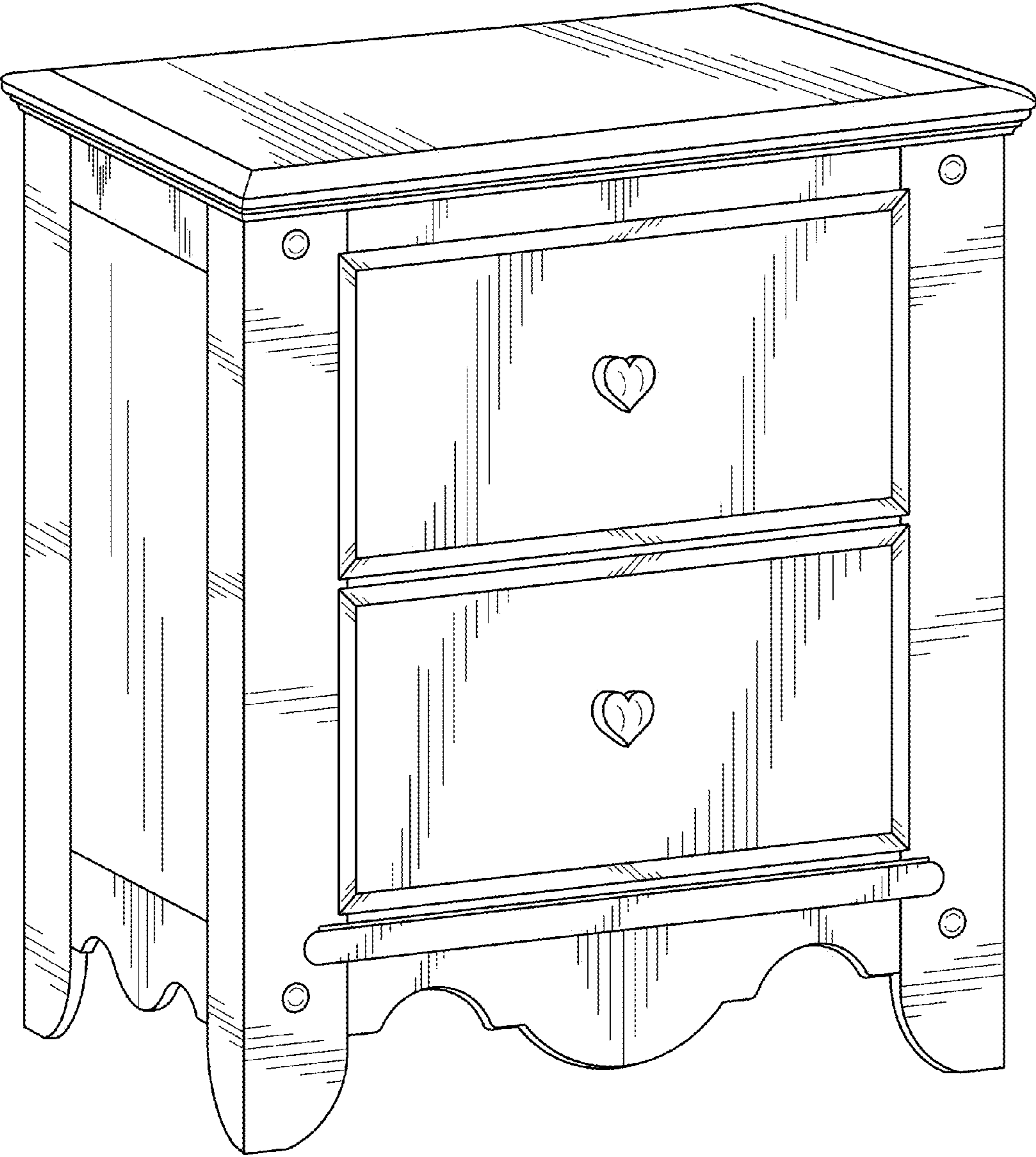


FIG. 1

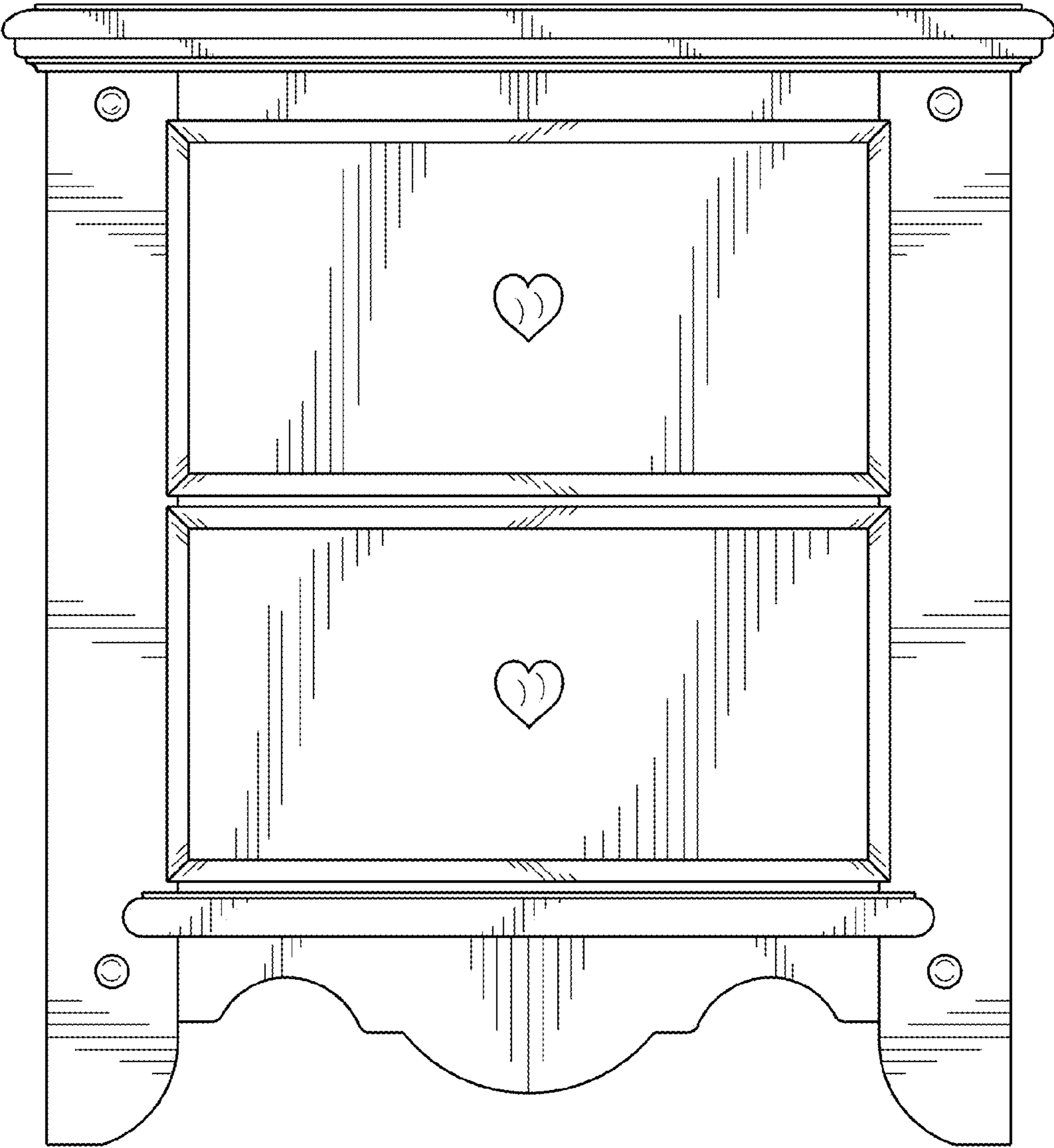


FIG. 2

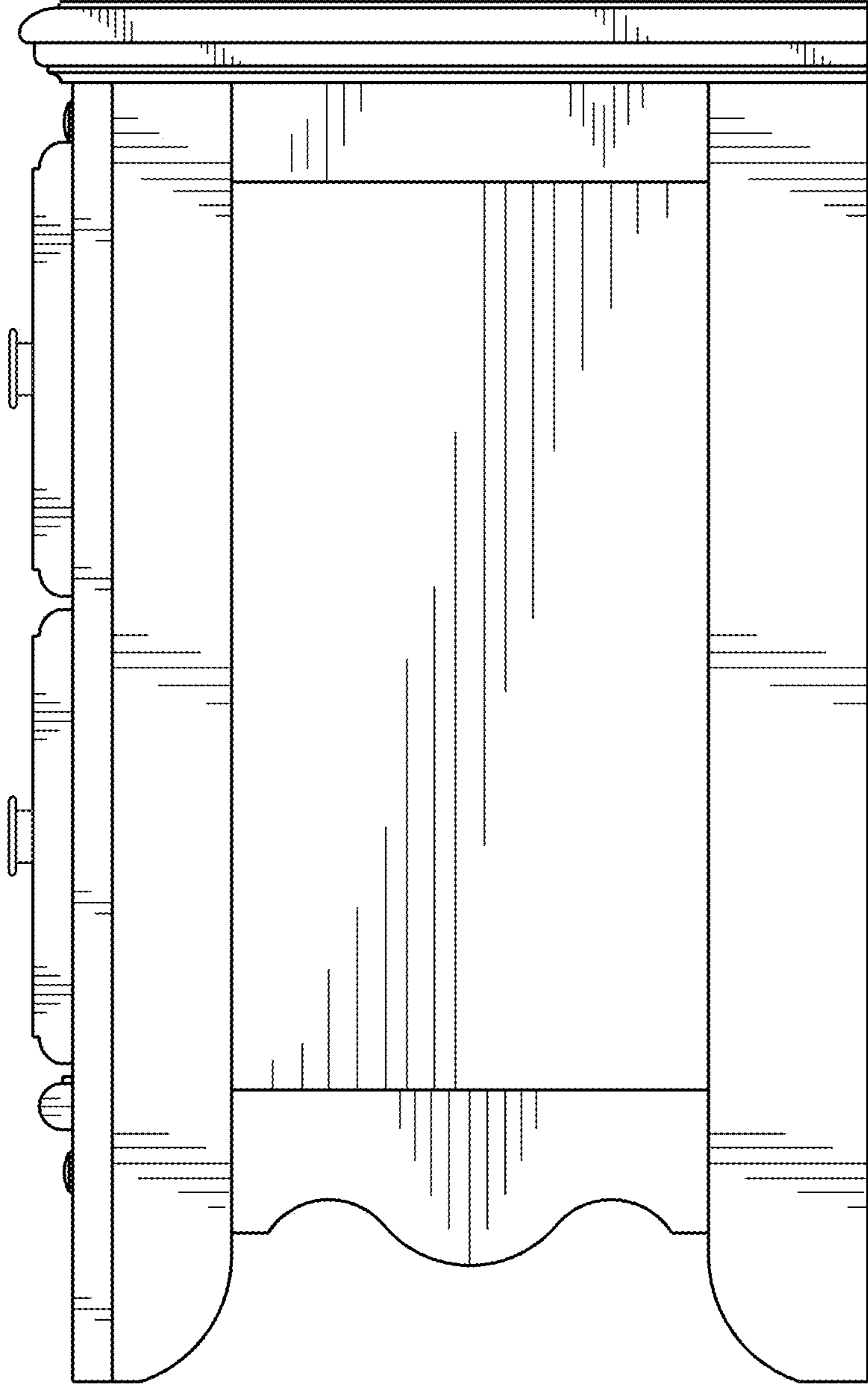


FIG. 3

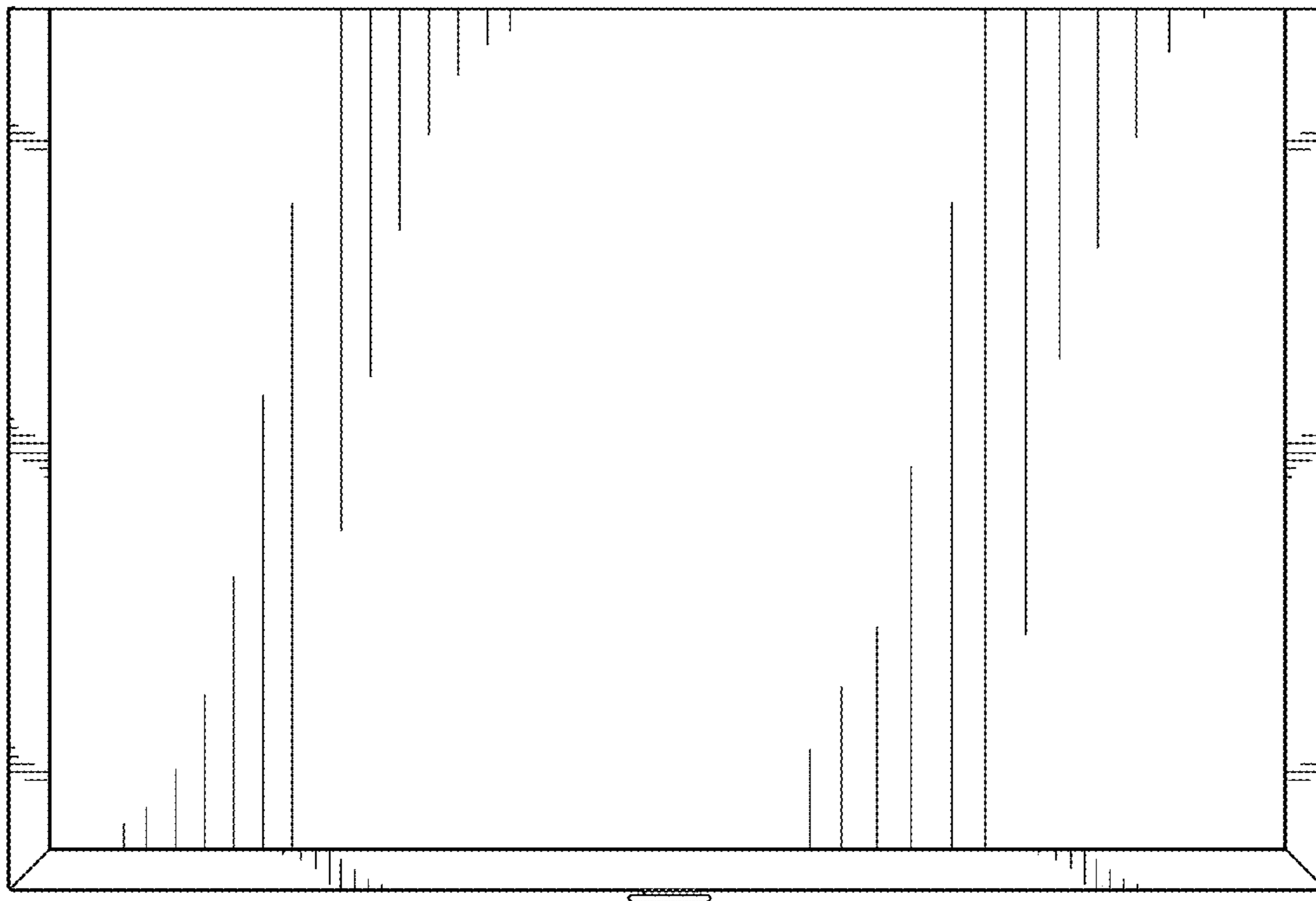


FIG. 4