



US00D722451S

(12) **United States Design Patent**  
**Chen**

(10) **Patent No.:** **US D722,451 S**

(45) **Date of Patent:** **\*\* Feb. 17, 2015**

(54) **BATHROOM VANITY CABINET**

(71) Applicant: **Yanxin Chen**, Shanghai (CN)

(72) Inventor: **Yanxin Chen**, Shanghai (CN)

(\*\*) Term: **14 Years**

(21) Appl. No.: **29/458,757**

(22) Filed: **Jun. 21, 2013**

(51) **LOC (10) Cl.** ..... **06-04**

(52) **U.S. Cl.**  
USPC ..... **D6/657**

(58) **Field of Classification Search**

CPC ..... A47F 3/005; A47K 1/02; A47B 17/04;  
A47B 67/005; A47B 47/03; A47B 88/0014;  
A47B 2220/03

USPC ..... D6/657, 662, 663, 664, 664.1, 671.1,  
D6/691.9; 312/138.1, 204, 224, 257.1,  
312/330.1; 4/630; D23/286

See application file for complete search history.

(56) **References Cited**

**U.S. PATENT DOCUMENTS**

D63,194 S \* 10/1923 Peterson ..... D6/663  
D496,804 S \* 10/2004 Peterson et al. .... D6/691.9

D498,519 S \* 11/2004 Mayer ..... D23/286  
D508,982 S \* 8/2005 Mayer ..... D23/286  
D538,899 S \* 3/2007 Mayer ..... D23/286  
D563,117 S \* 3/2008 Mayer et al. .... D6/657  
D563,121 S \* 3/2008 Bates ..... D6/657

\* cited by examiner

*Primary Examiner* — Mimoso De

(74) *Attorney, Agent, or Firm* — Robert J. Lauson, Esq.;  
Lauson & Tarver LLP

(57) **CLAIM**

I claim the ornamental design for a bathroom vanity cabinet,  
as shown and described.

**DESCRIPTION**

FIG. 1 is a front perspective view.

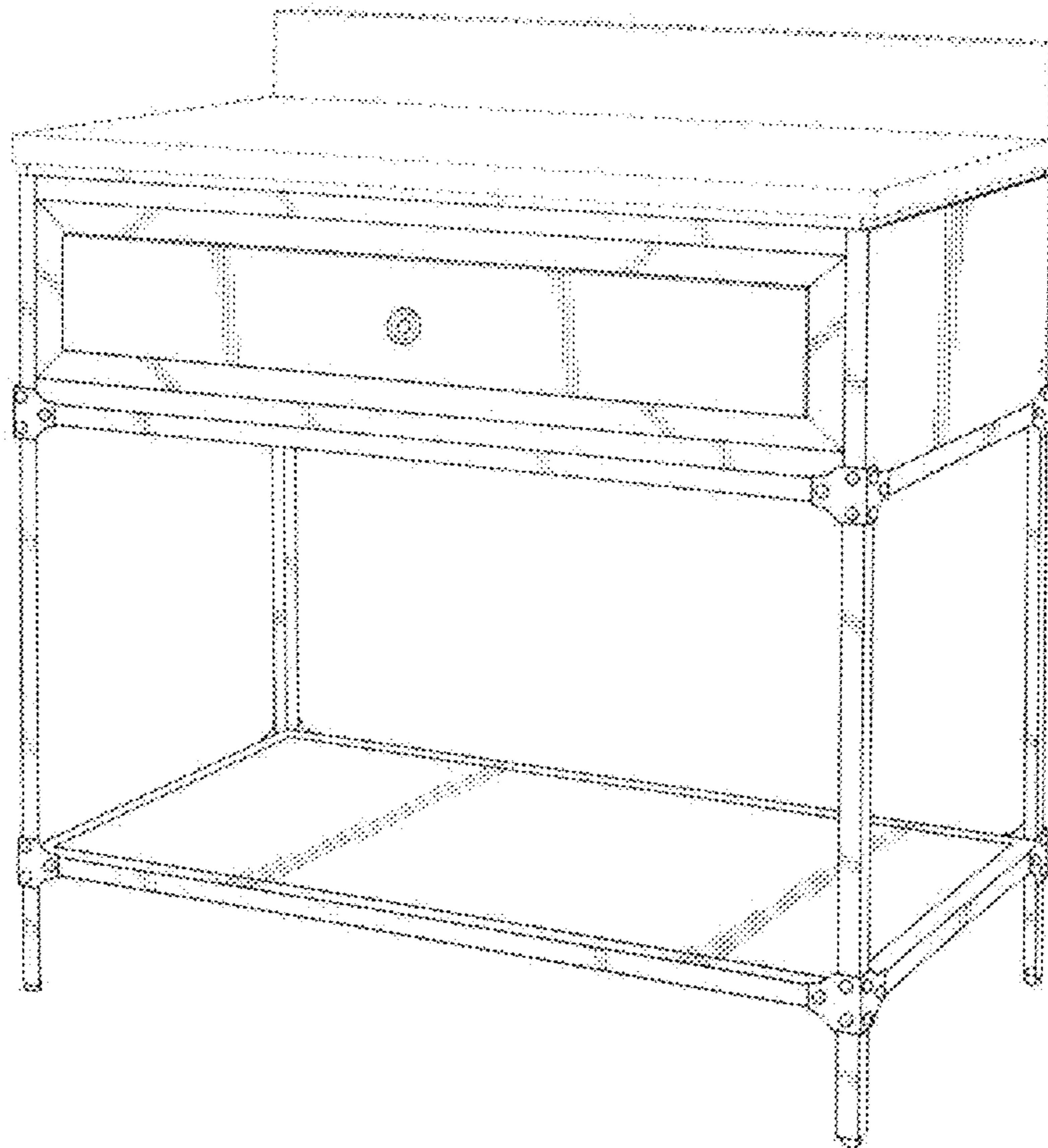
FIG. 2 is a front view.

FIG. 3 is a right side view, and the left side view being a mirror  
image thereof; and,

FIG. 4 is a top view.

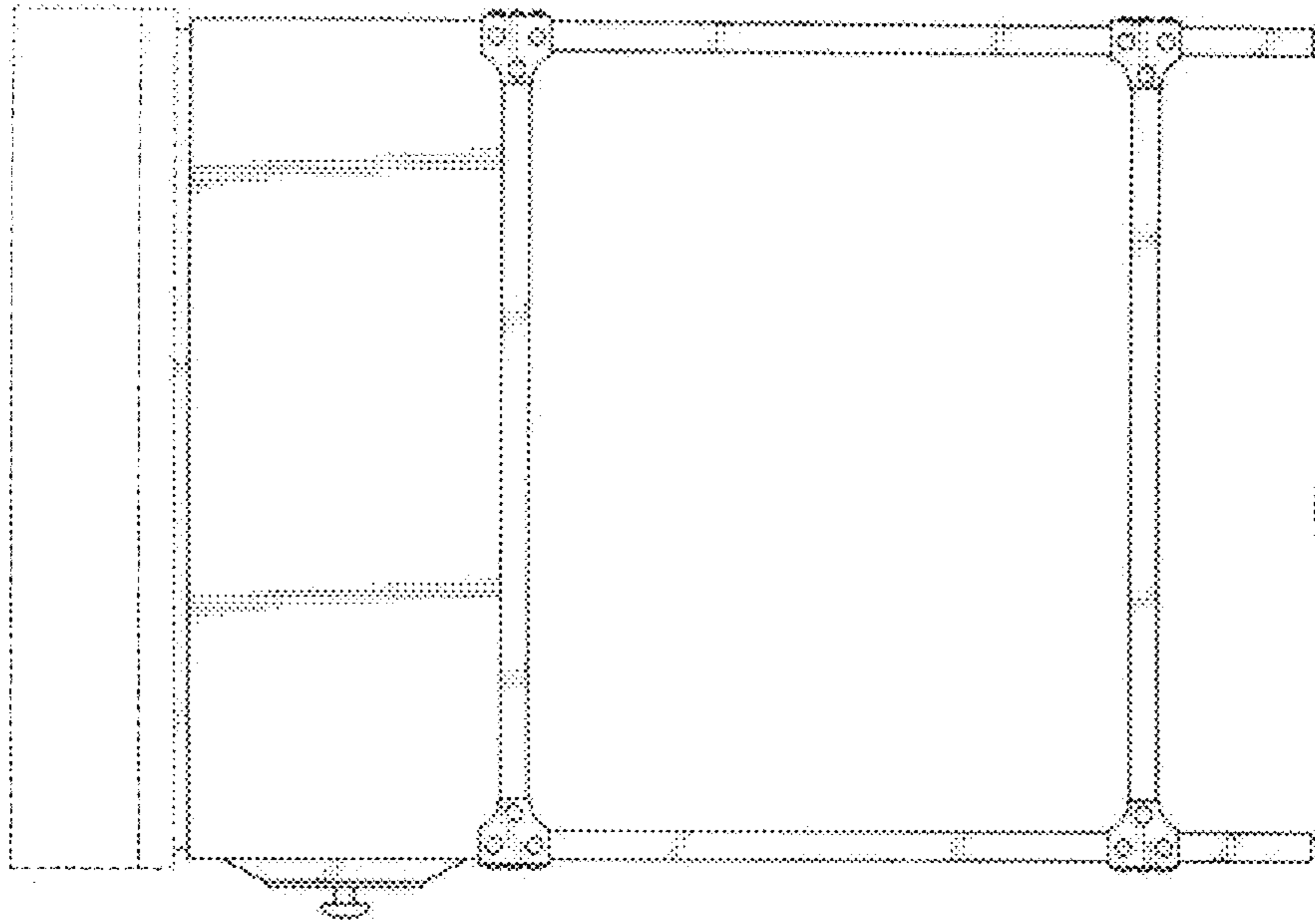
The broken lines are for illustrative purposes only and form  
no part of the claimed design.

**1 Claim, 3 Drawing Sheets**

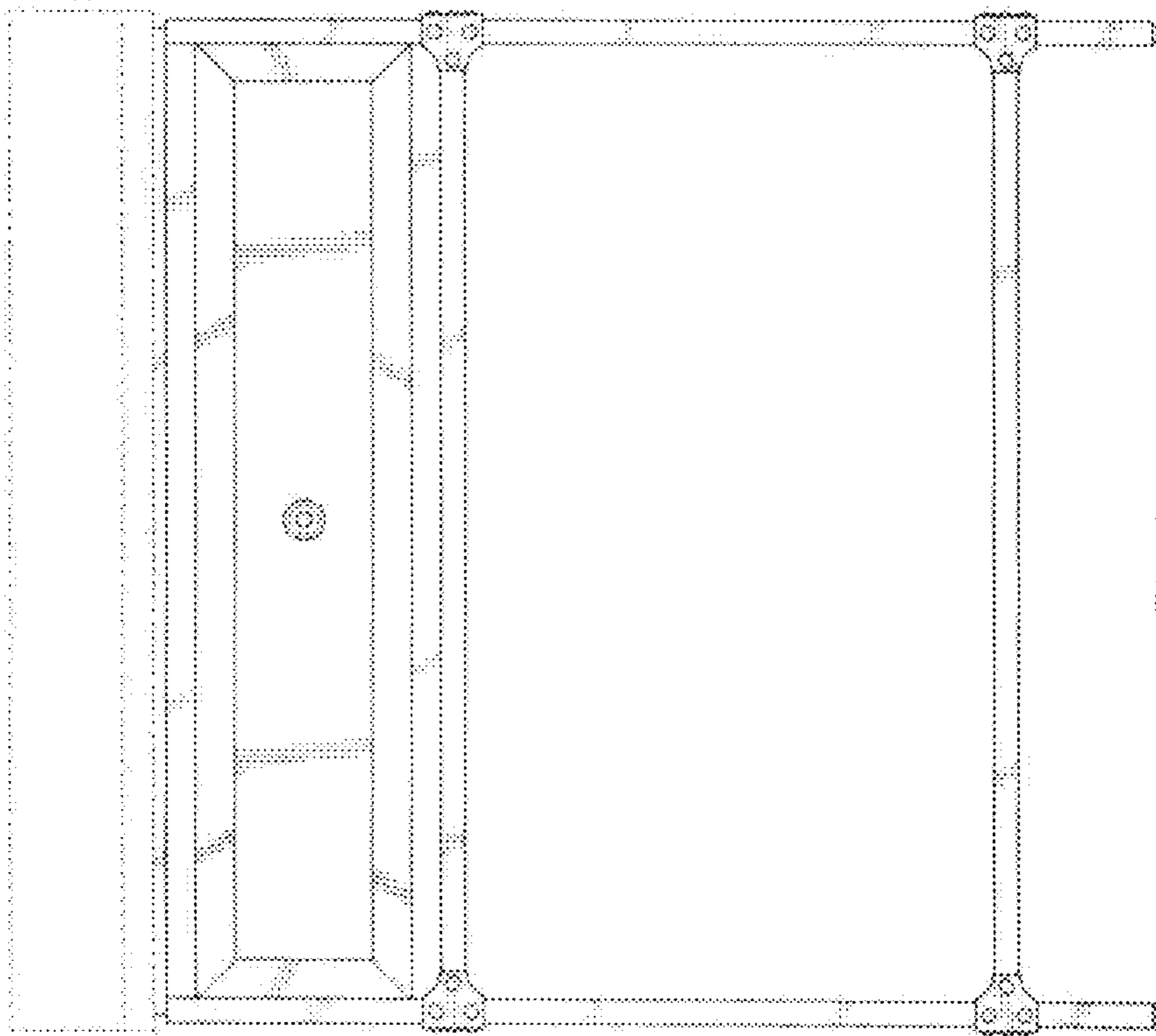




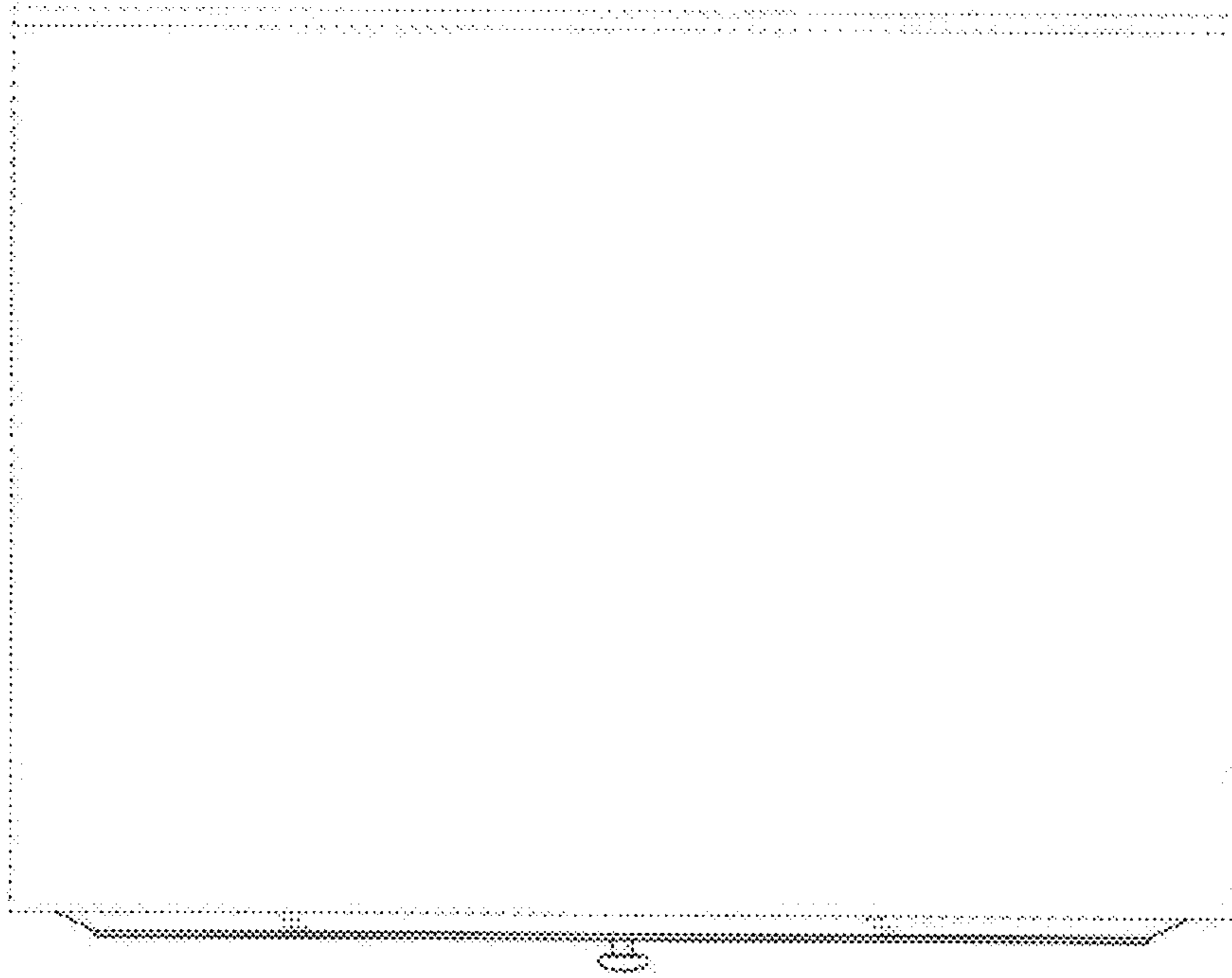
*FIG. 1*



*Fig. 3*



*Fig. 2*



*FIG. 4*