



US00D722445S

(12) **United States Design Patent**
Baraldi et al.

(10) **Patent No.:** **US D722,445 S**

(45) **Date of Patent:** **** Feb. 17, 2015**

(54) **SEATING WITH BALL RACK**

D578,791 S * 10/2008 Shilling et al. D6/381
D614,115 S * 4/2010 Guering D12/345
D657,964 S * 4/2012 Amini D6/334

(71) Applicant: **QubicaAMF Worldwide, LLC**,
Mechanicsville, VA (US)

* cited by examiner

(72) Inventors: **Massimo Baraldi**, Bologna (IT);
Tommaso Parisi, Bologna (IT); **Michele**
Oca, San Matteo Della Decima (IT)

Primary Examiner — Sandra Snapp
(74) *Attorney, Agent, or Firm* — Andrew M. Calderon;
Roberts Mlotkowski Safran & Cole, P.C.

(73) Assignee: **QubicaAMF Worldwide, LLC**,
Mechanicsville, VA (US)

(57) **CLAIM**
We claim the ornamental design for seating with ball rack, as
shown and described.

(**) Term: **14 Years**

DESCRIPTION

(21) Appl. No.: **29/477,099**

(22) Filed: **Dec. 19, 2013**

(51) **LOC (10) Cl.** **06-01**

(52) **U.S. Cl.**
USPC **D6/336**

(58) **Field of Classification Search**
CPC A47C 17/00; A47C 17/02; A47C 17/12;
A47C 17/18; A47C 7/021; A47C 31/00;
A47C 3/16

USPC D6/334, 335, 336, 379, 381, 369, 349;
297/94, 118, 232, 445.1, 448.1, DIG. 7

See application file for complete search history.

FIG. 1 is a front view of a seating with ball rack;
FIG. 2 is a rear view of the seating with ball rack;
FIG. 3 is a side view of the seating with ball rack;
FIG. 4 is a top view of the seating with ball rack;
FIG. 5 is a bottom view of the seating with ball rack;
FIG. 6 is a perspective view of the seating with ball rack;
FIG. 7 is a front view of another aspect of the seating with ball
rack;
FIG. 8 is a rear view of the another aspect of the seating with
ball rack;
FIG. 9 is a side view of the another aspect of the seating with
ball rack;
FIG. 10 is a top view of the another aspect of the seating with
ball rack;
FIG. 11 is a bottom view of the another aspect of the seating
with ball rack; and,
FIG. 12 is a perspective view of the another aspect of the
seating with ball rack.

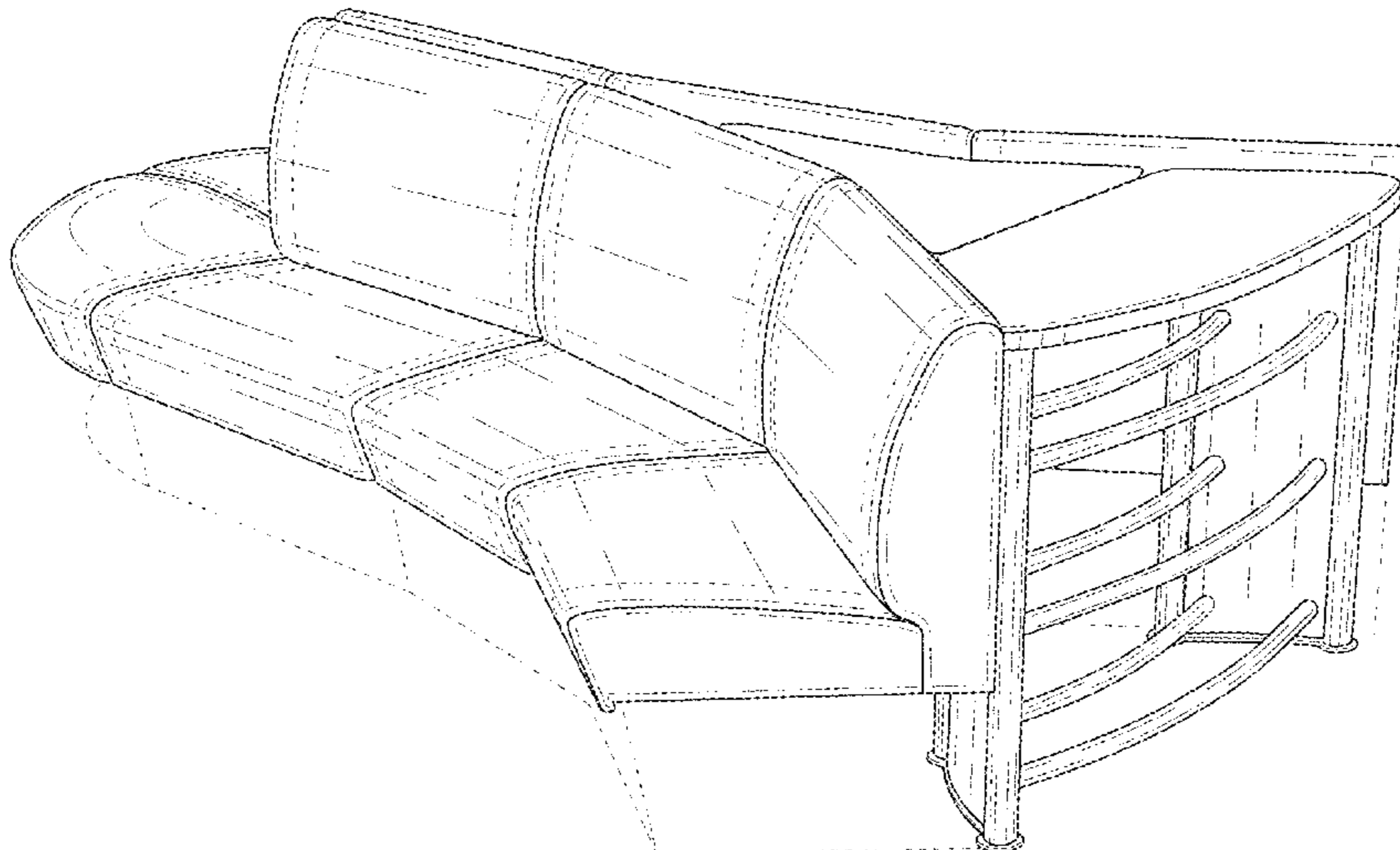
(56) **References Cited**

U.S. PATENT DOCUMENTS

D148,242 S * 12/1947 Horsewood D6/336
D203,817 S * 2/1966 Burke D6/357
D289,466 S * 4/1987 Leib D6/335
D418,313 S * 1/2000 Sexton et al. D6/335
D473,062 S * 4/2003 Natuzzi et al. D6/381
D494,772 S * 8/2004 Kagan D6/381
D512,573 S * 12/2005 Koenig D6/335
D530,929 S * 10/2006 Resterhouse et al. D6/336

Applicant notes that the side view of the seating with ball rack
as shown in FIGS. 3 and 9 is representative of both a right side
view and left side view of the seating with ball rack. Any
subject matter shown in dashed lines, and any surfaces of the
design not shown, including interior surfaces, form no part of
the claimed invention.

1 Claim, 12 Drawing Sheets



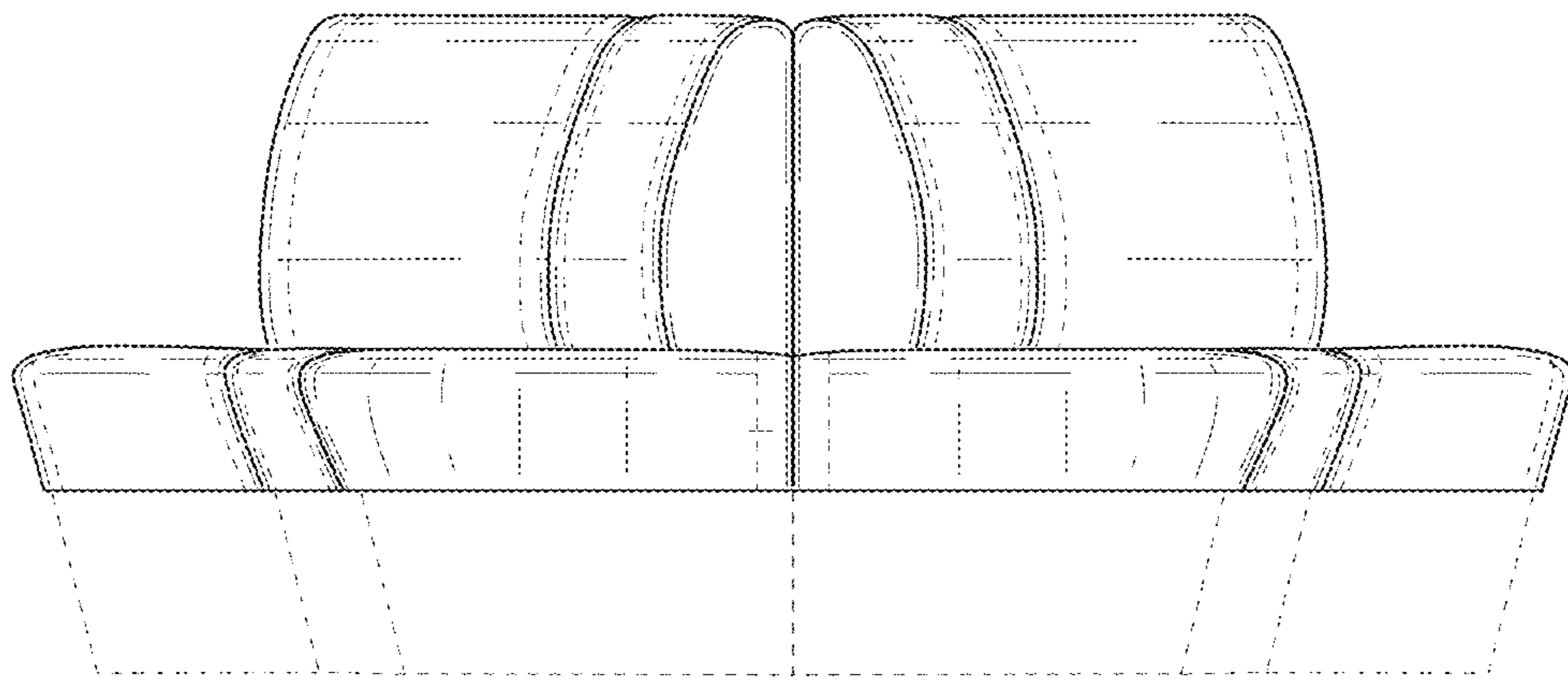


FIG. 1

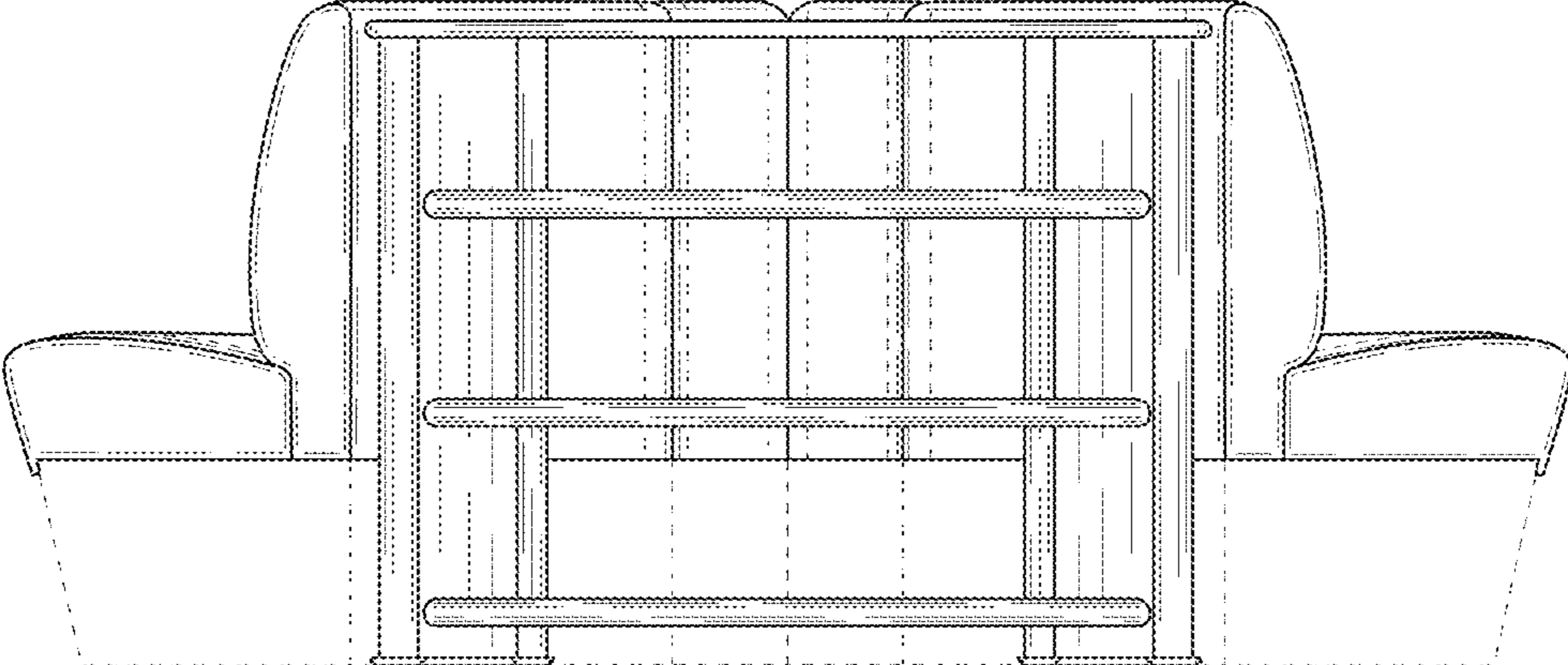


FIG. 2

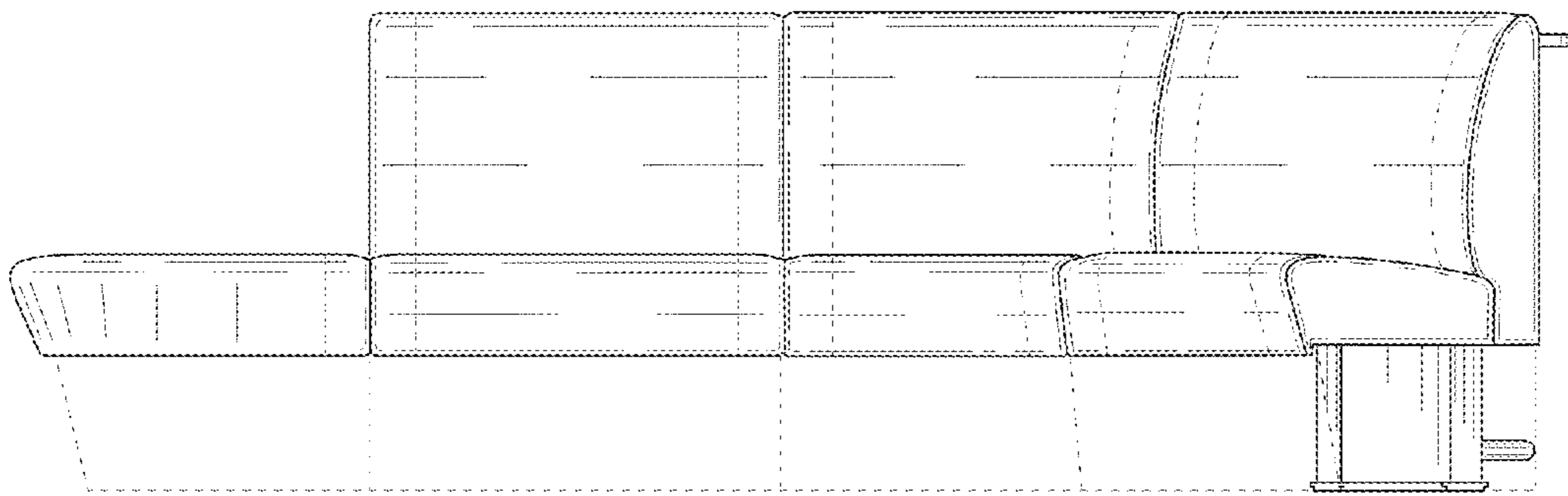


FIG. 3

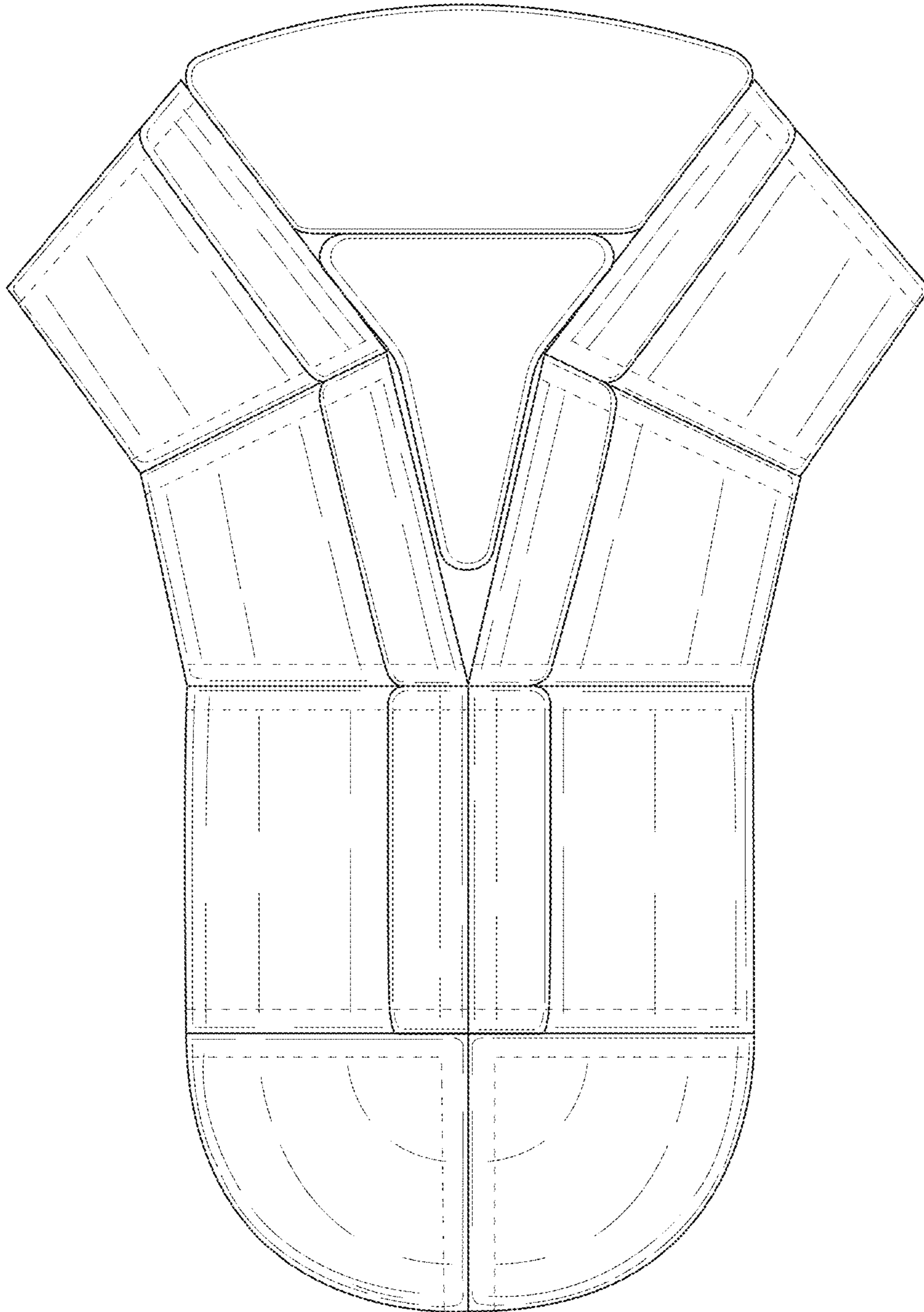


FIG. 4

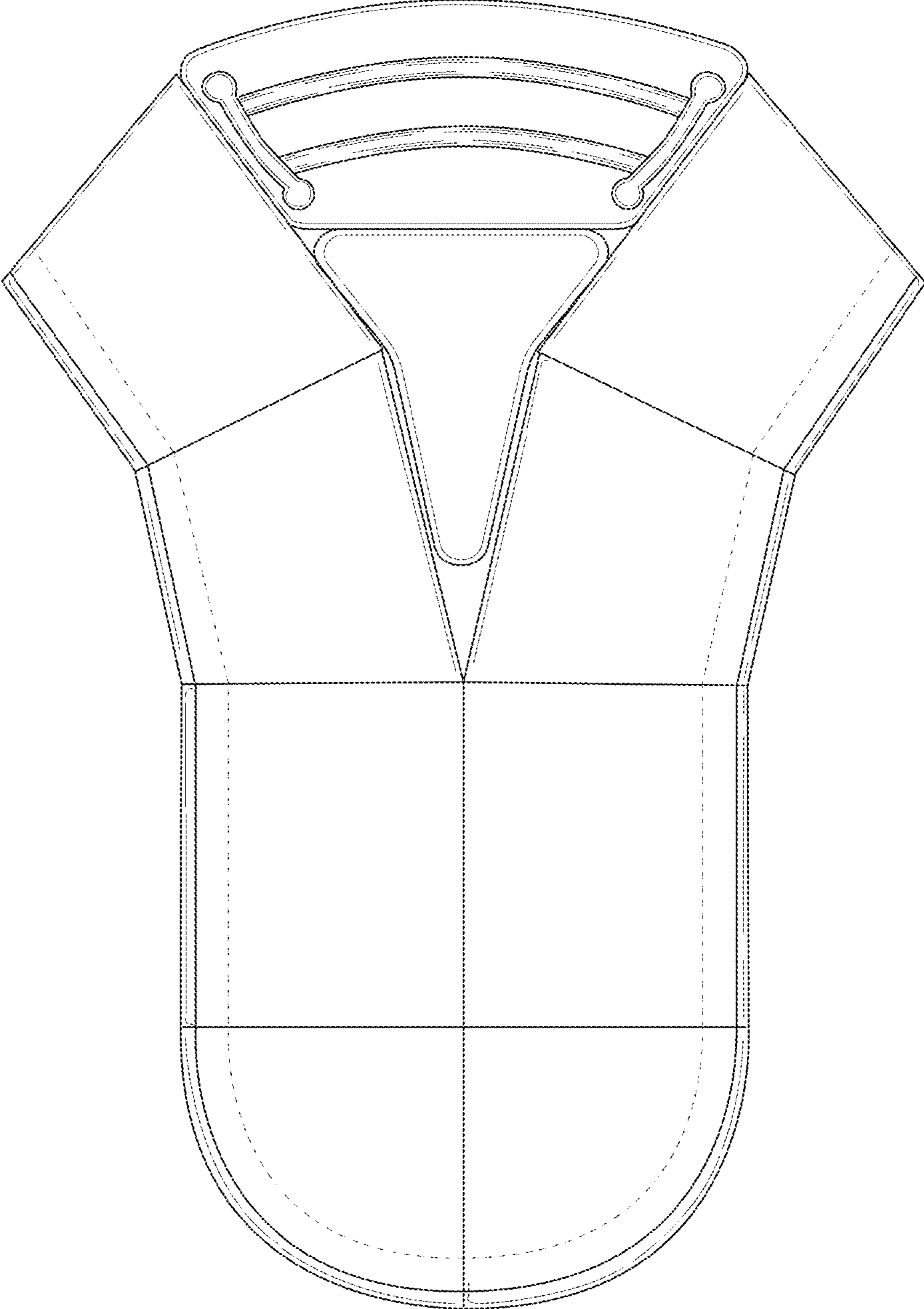


FIG. 5

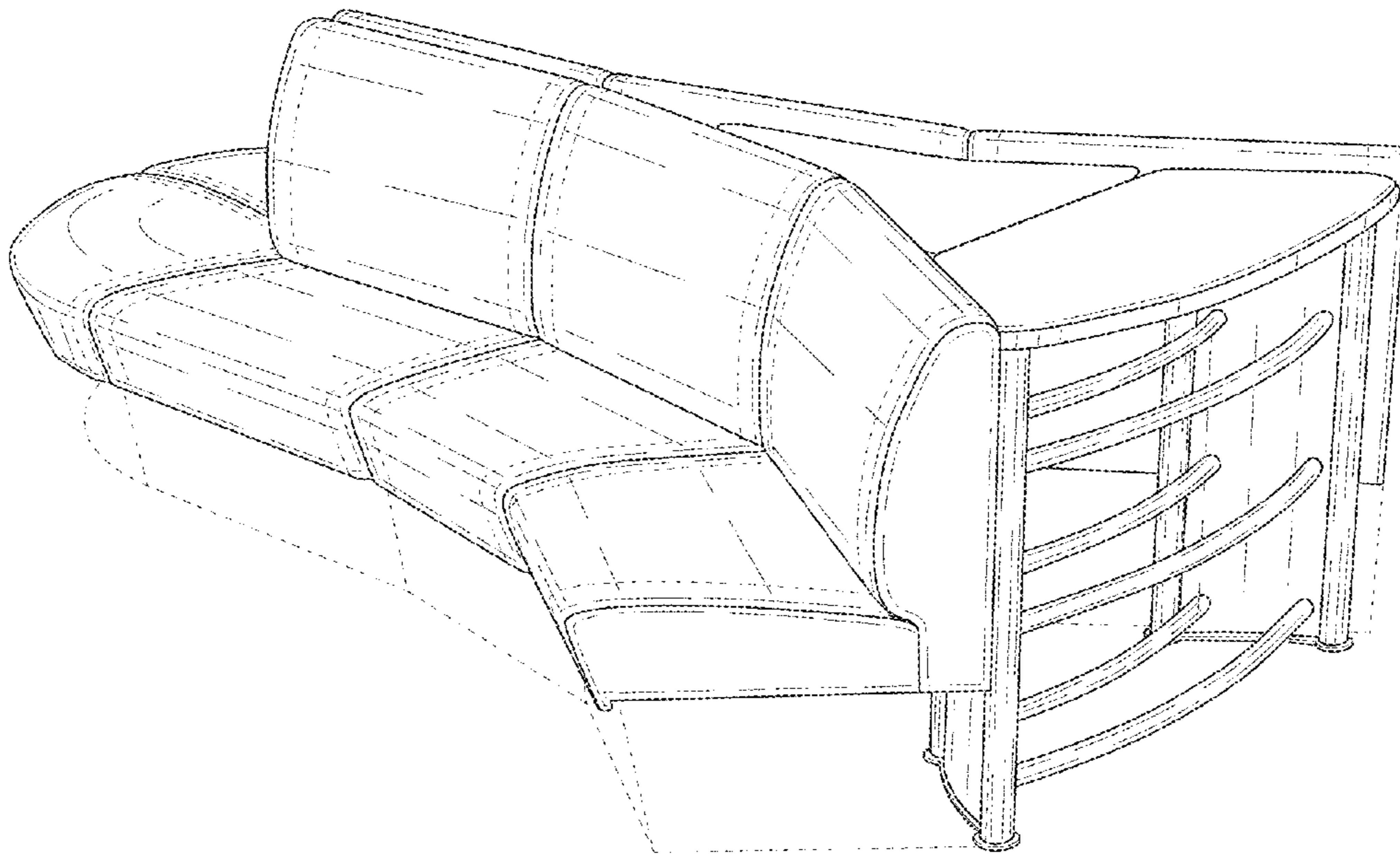


FIG. 6

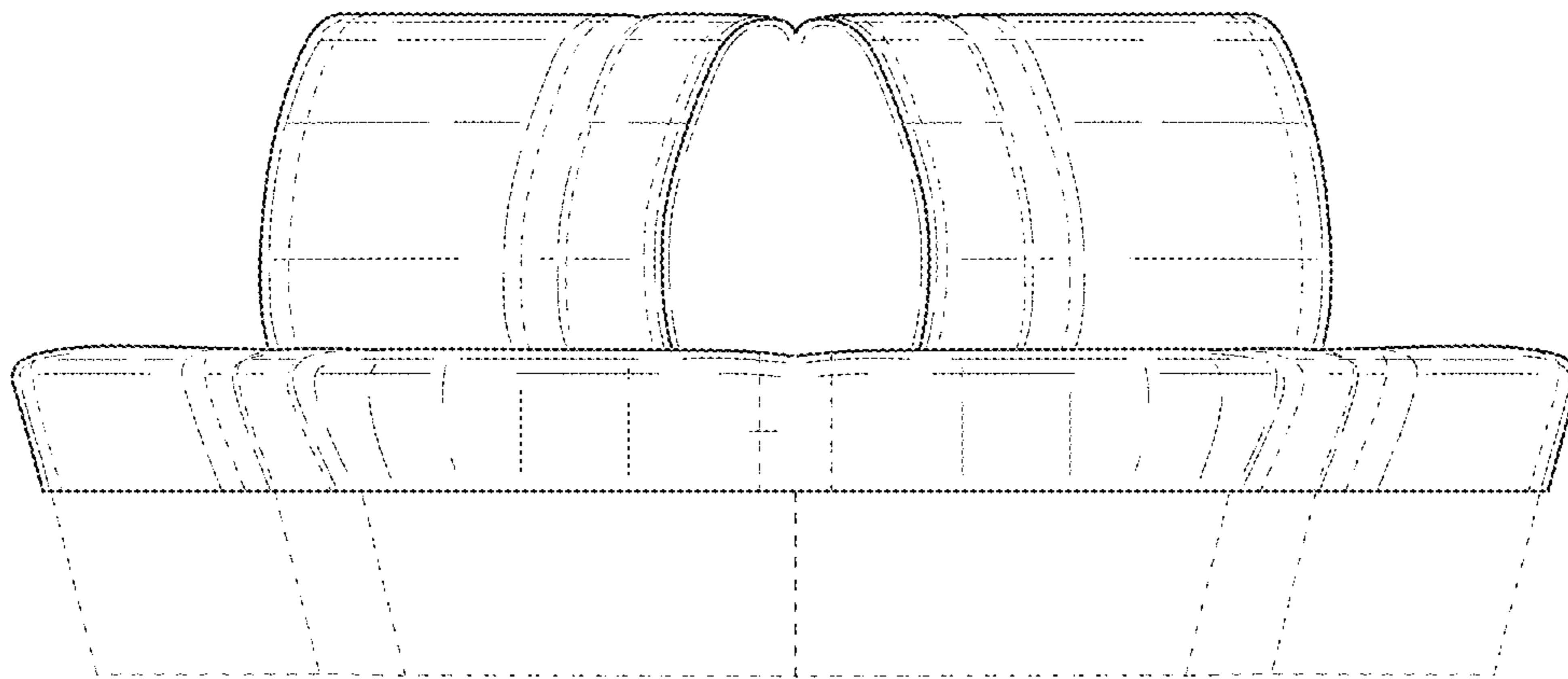


FIG. 7

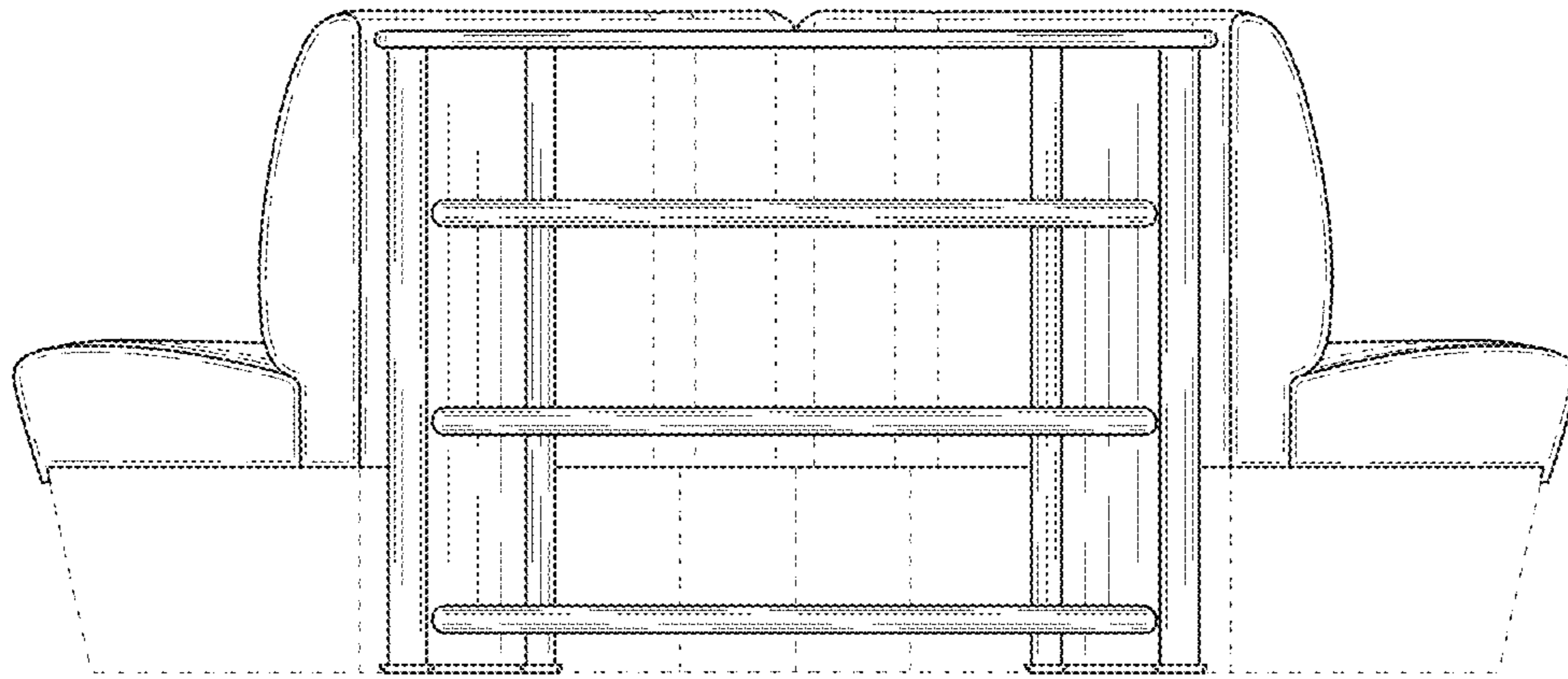


FIG. 8

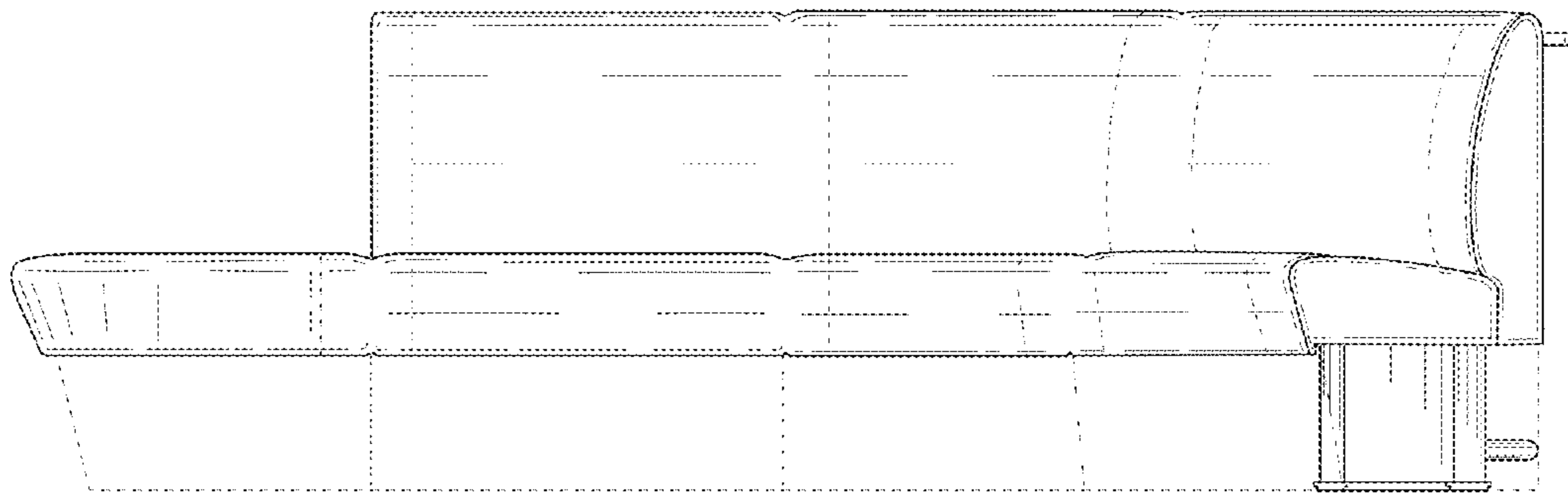


FIG. 9

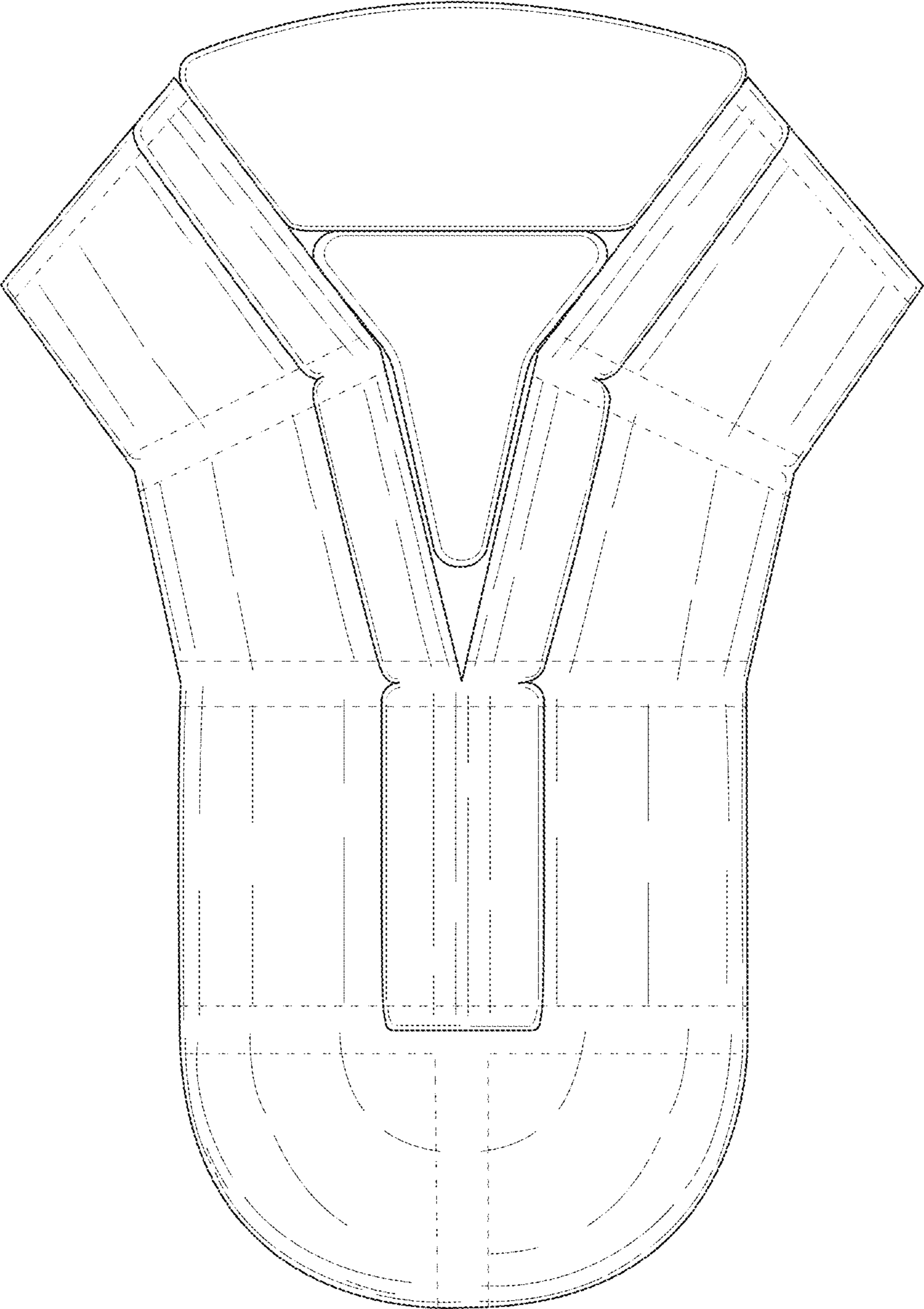


FIG. 10

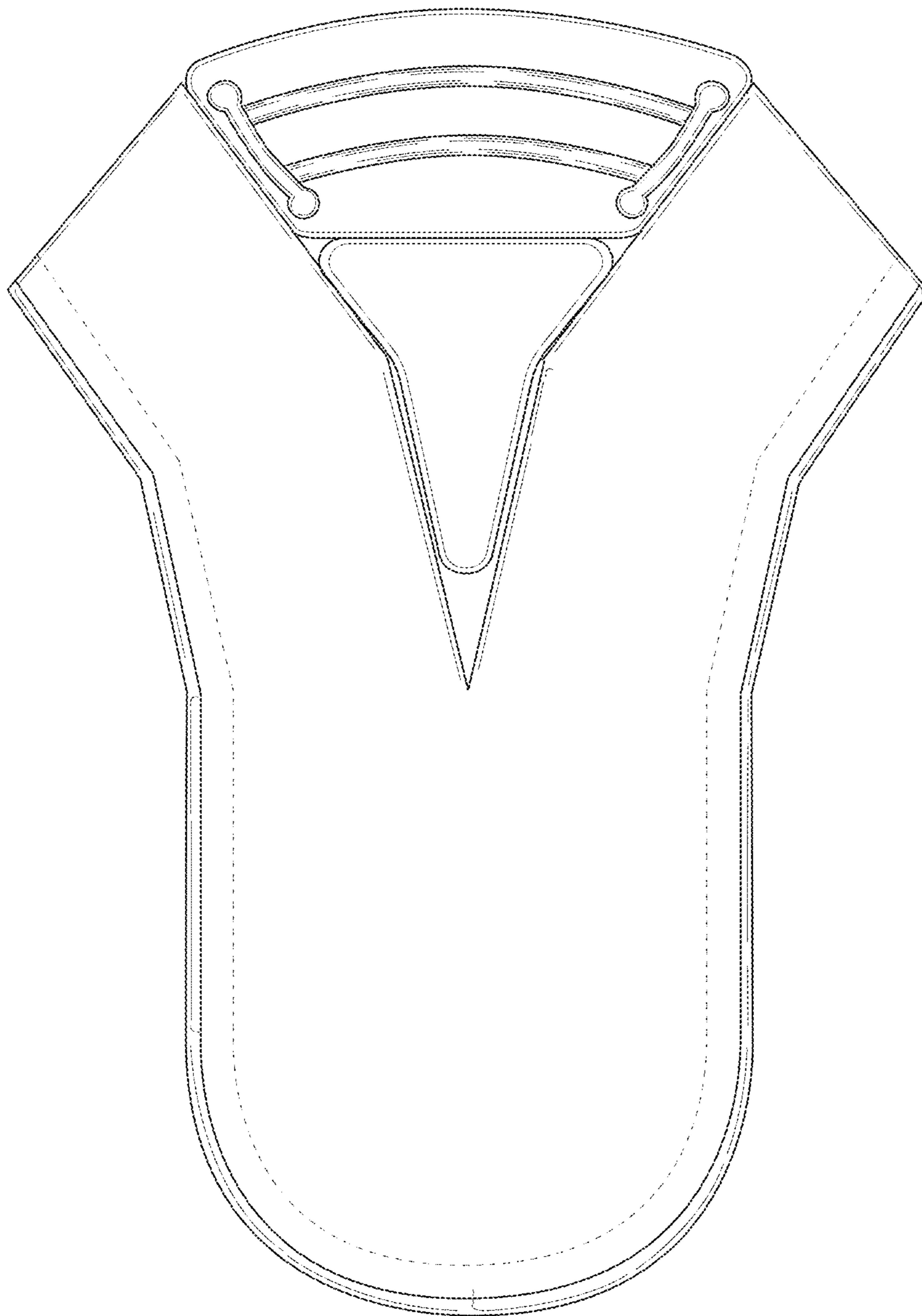


FIG. 11

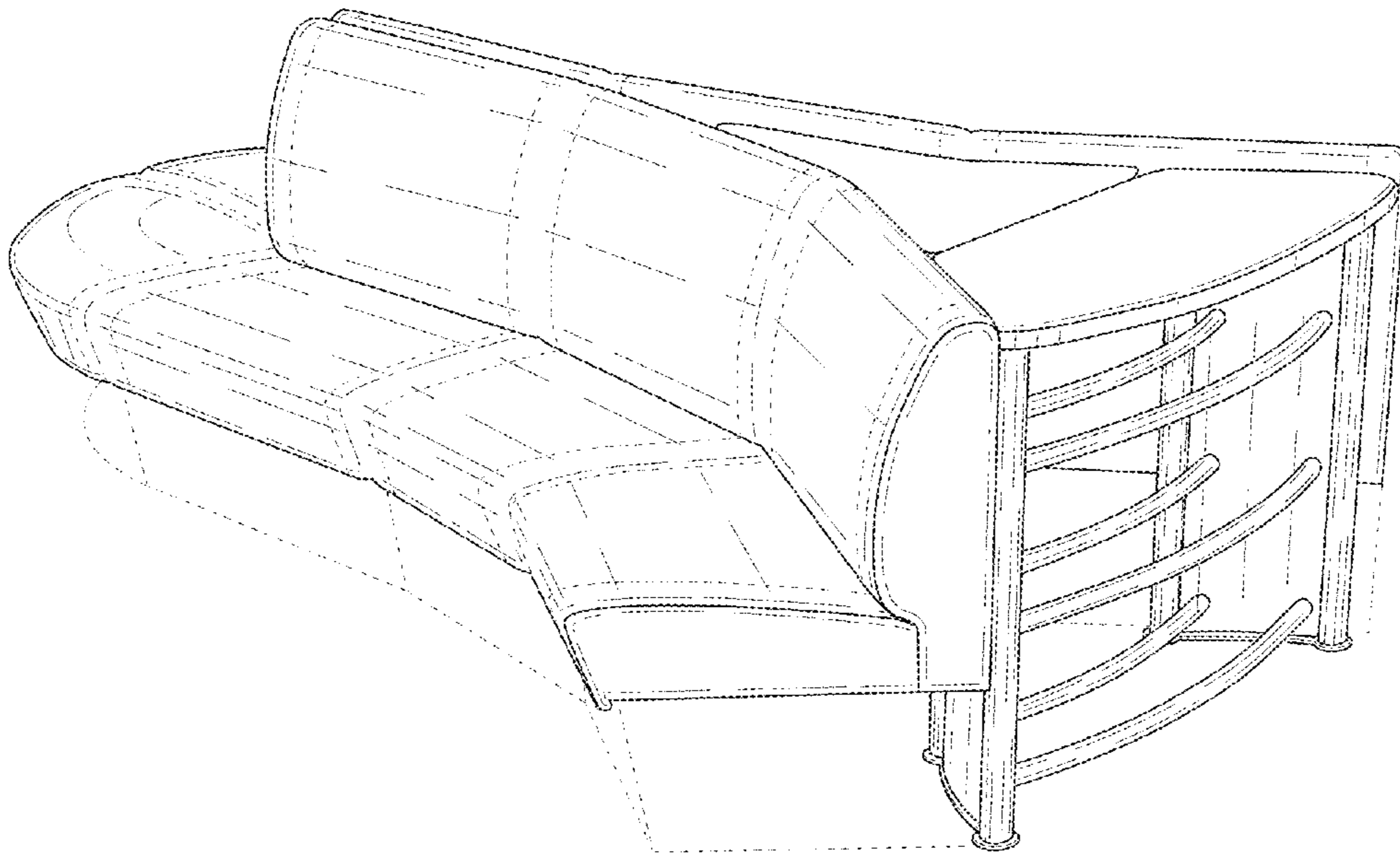


FIG. 12