



US00D722444S

(12) **United States Design Patent**
Lee

(10) **Patent No.:** **US D722,444 S**
(45) **Date of Patent:** **** Feb. 17, 2015**

- (54) **BENCH**
- (71) Applicant: **Justin Lee**, Houston, TX (US)
- (72) Inventor: **Justin Lee**, Houston, TX (US)
- (**) Term: **14 Years**
- (21) Appl. No.: **29/471,655**
- (22) Filed: **Nov. 4, 2013**
- (51) **LOC (10) Cl.** **06-01**
- (52) **U.S. Cl.**
USPC **D6/336**
- (58) **Field of Classification Search**
CPC A47C 17/00; A47C 17/02; A47C 17/12;
A47C 17/18; A47C 7/021; A47C 31/00;
A47C 3/16
USPC D6/334, 335, 336, 379, 381, 369, 349;
297/94, 118, 232, 445.1, 448.1, DIG. 7
See application file for complete search history.

- D427,788 S * 7/2000 Paul D6/336
- D509,075 S * 9/2005 Katz et al. D6/336
- D597,336 S * 8/2009 Anderson et al. D6/381

* cited by examiner

Primary Examiner — Sandra Snapp
(74) *Attorney, Agent, or Firm* — Egbert Law Offices, PLLC

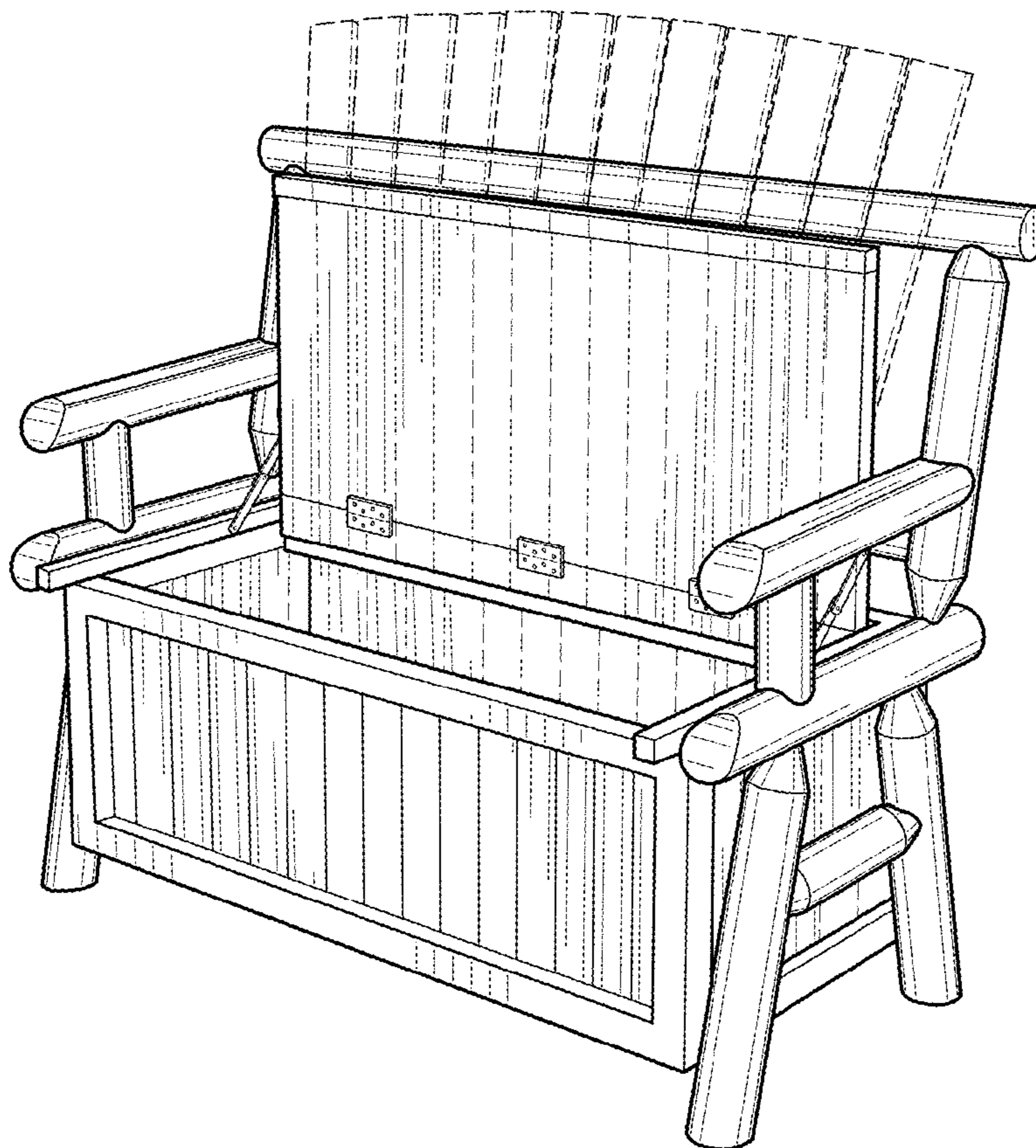
(57) **CLAIM**
The ornamental design for a bench, as shown and described.

DESCRIPTION

FIG. 1 is a perspective view of the bench showing my new design.
 FIG. 2 is a front view thereof;
 FIG. 3 is a rear view thereof;
 FIG. 4 is a side view thereof;
 FIG. 5 is an opposite side view thereof;
 FIG. 6 is a top view thereof;
 FIG. 7 is a bottom view thereof; and,
 FIG. 8 is a perspective view of the bench wherein the lid is open.
 The features presented in broken lines are for environmental purposes only and form no part of the claimed design.

- (56) **References Cited**
U.S. PATENT DOCUMENTS
986,686 A * 3/1911 Carney 297/123
D354,173 S * 1/1995 Escobal et al. D6/335

1 Claim, 4 Drawing Sheets



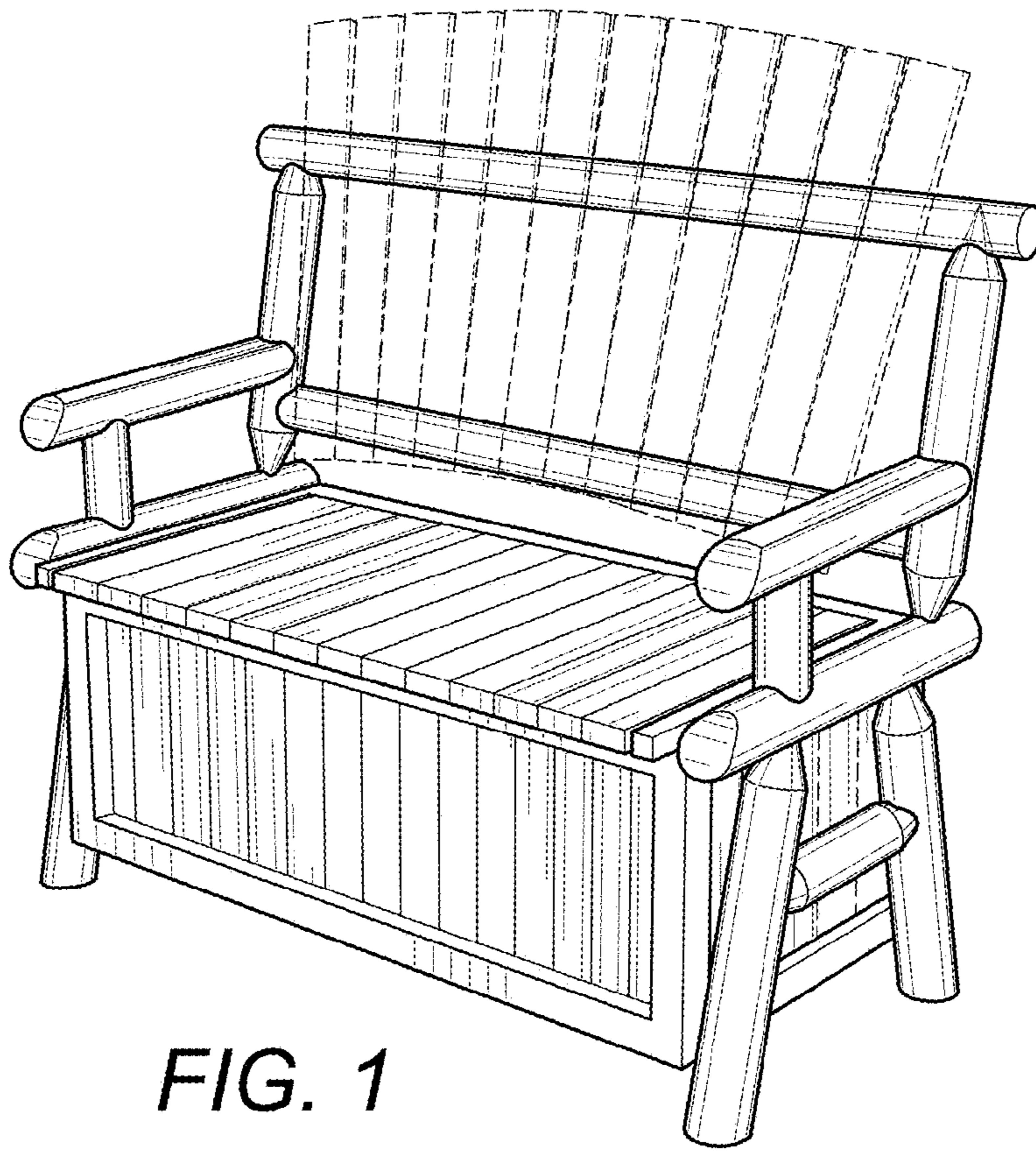


FIG. 1

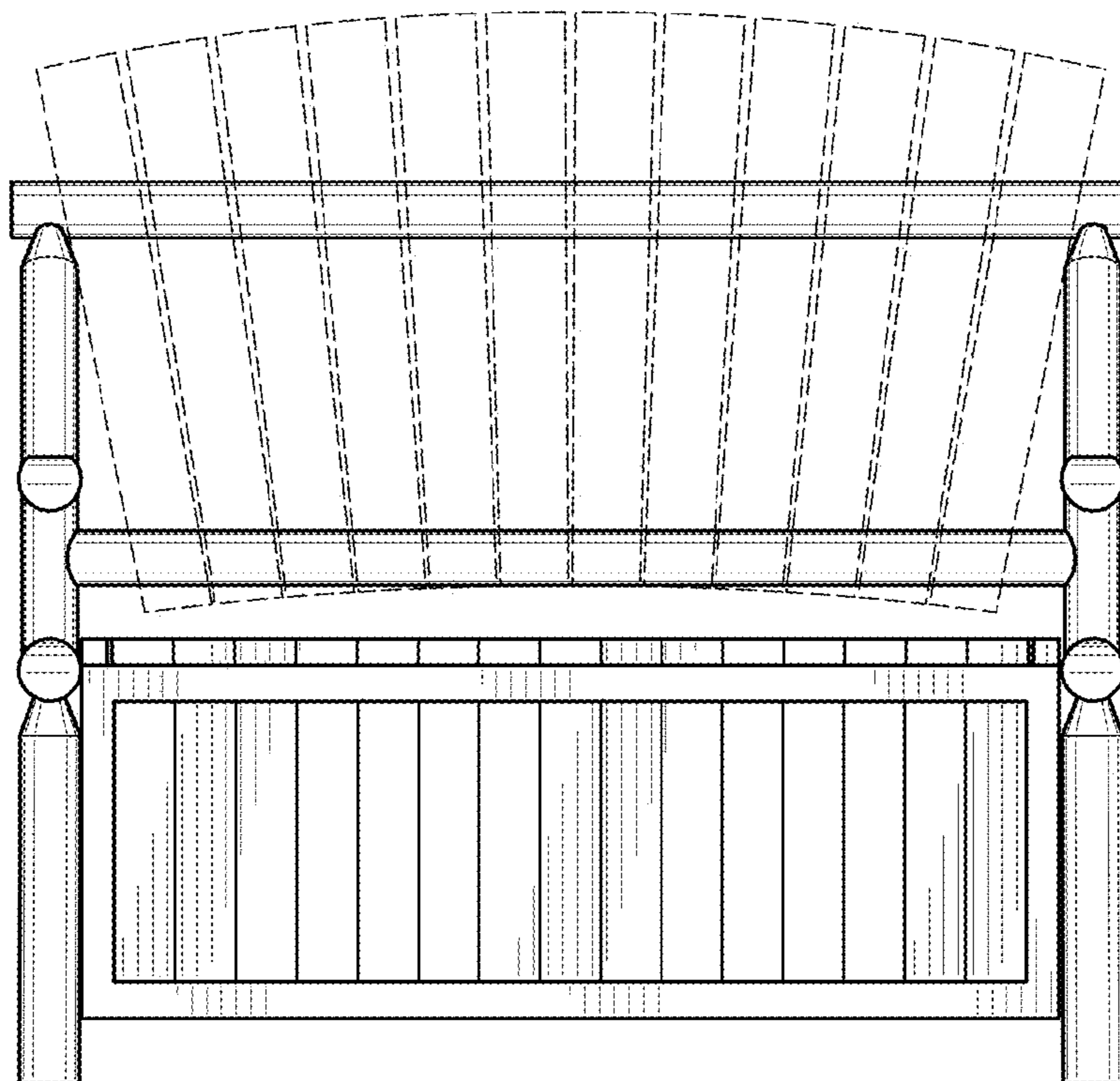


FIG. 2

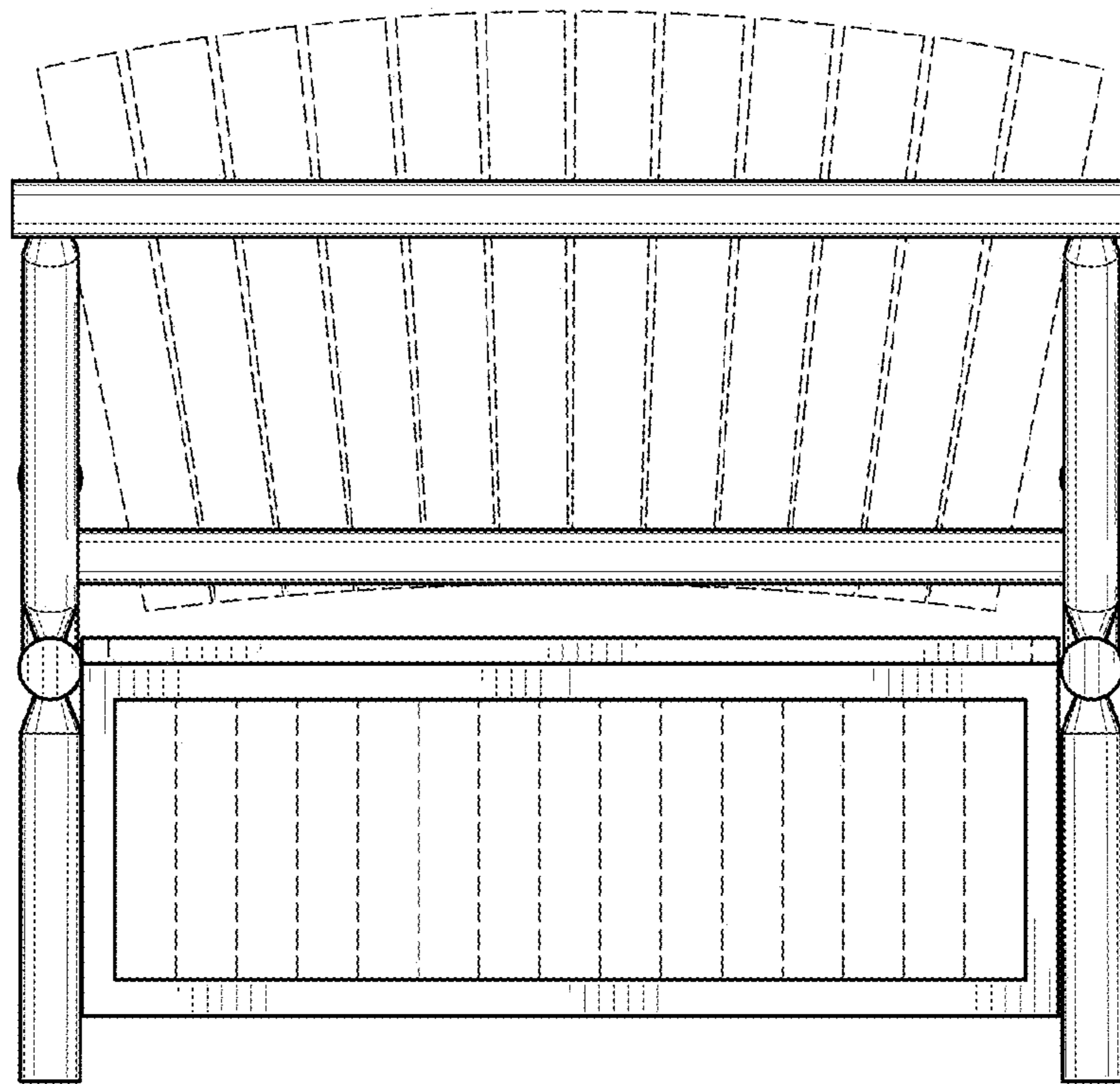


FIG. 3

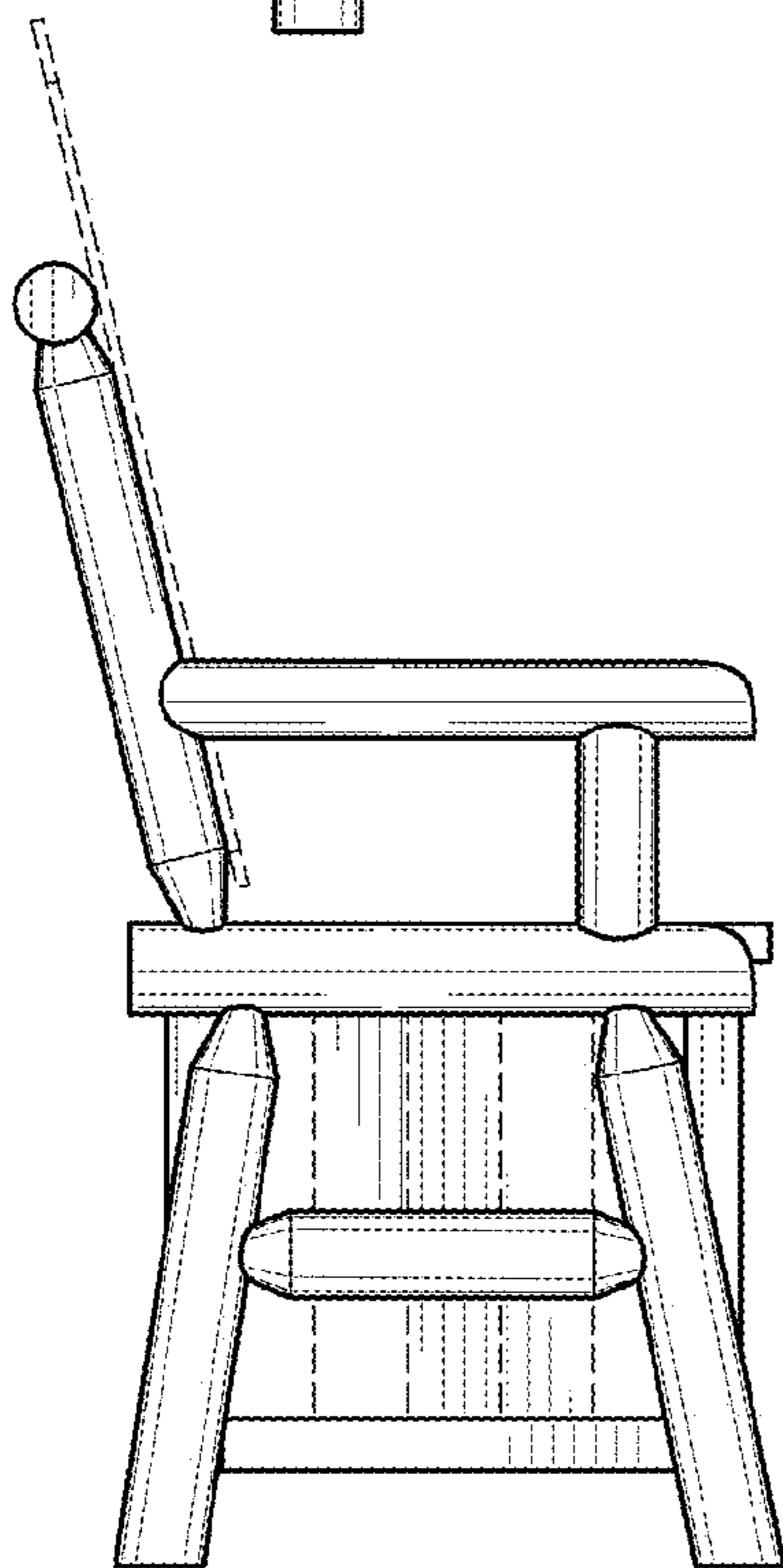


FIG. 4

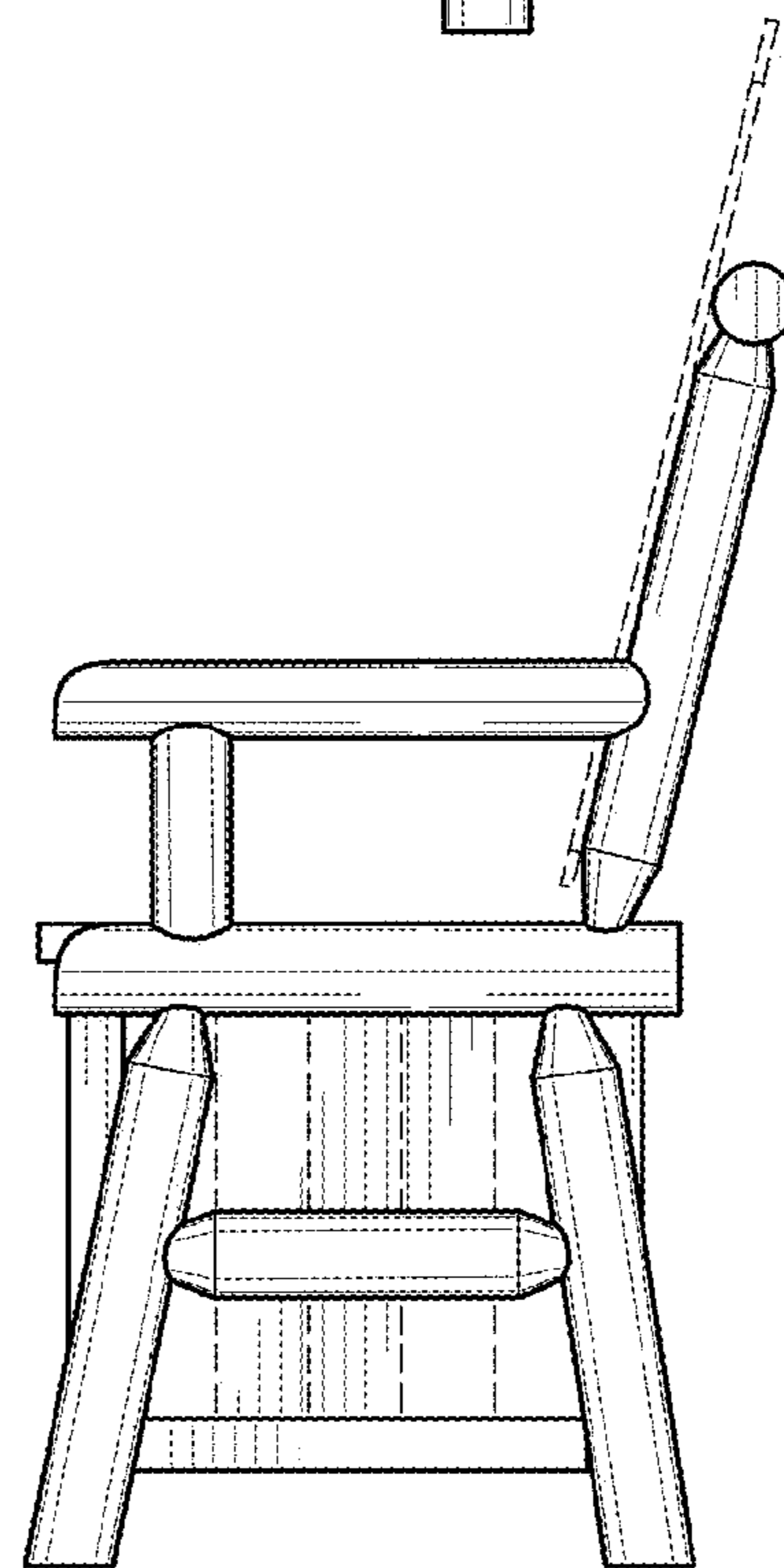


FIG. 5

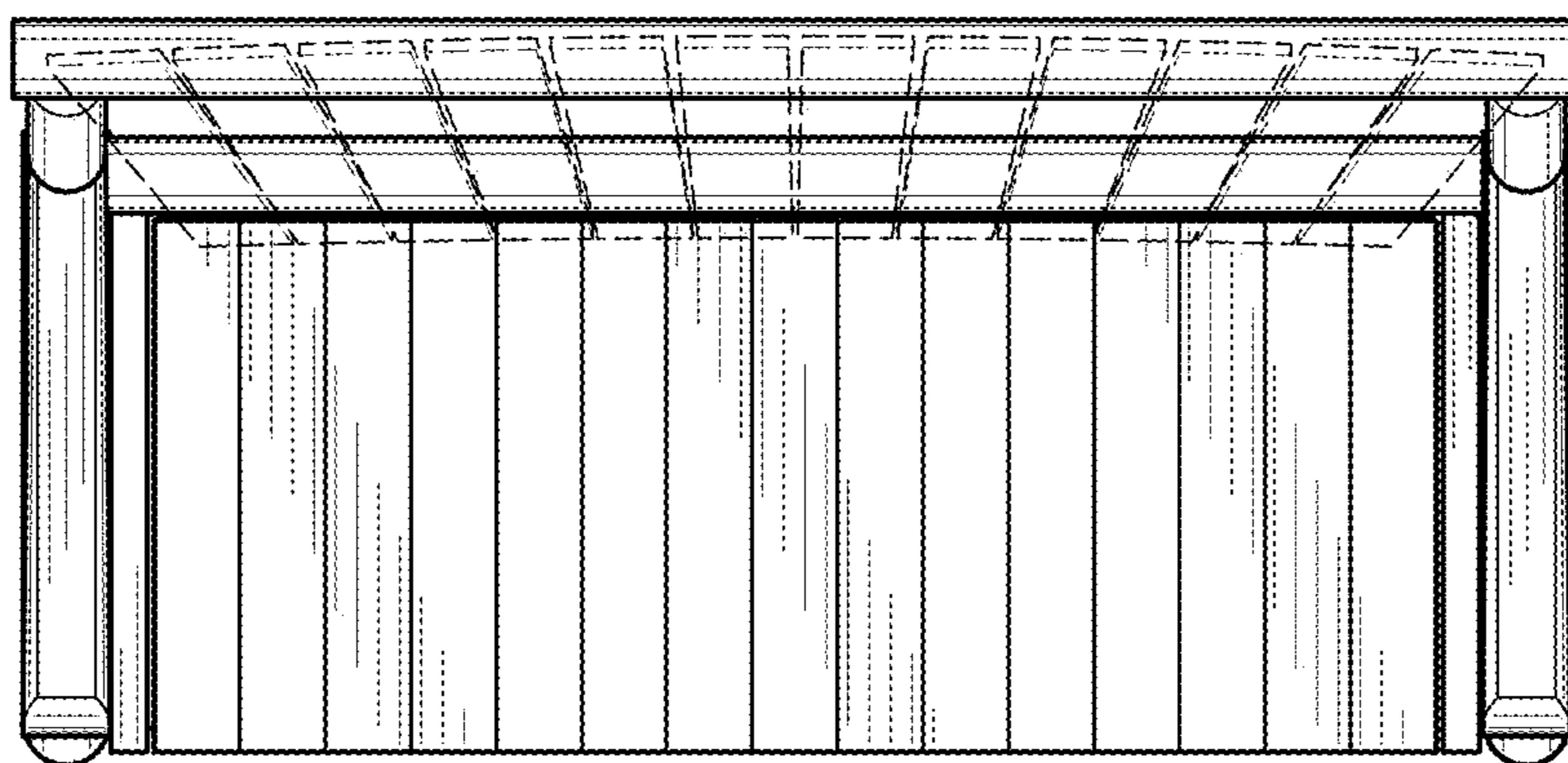


FIG. 6

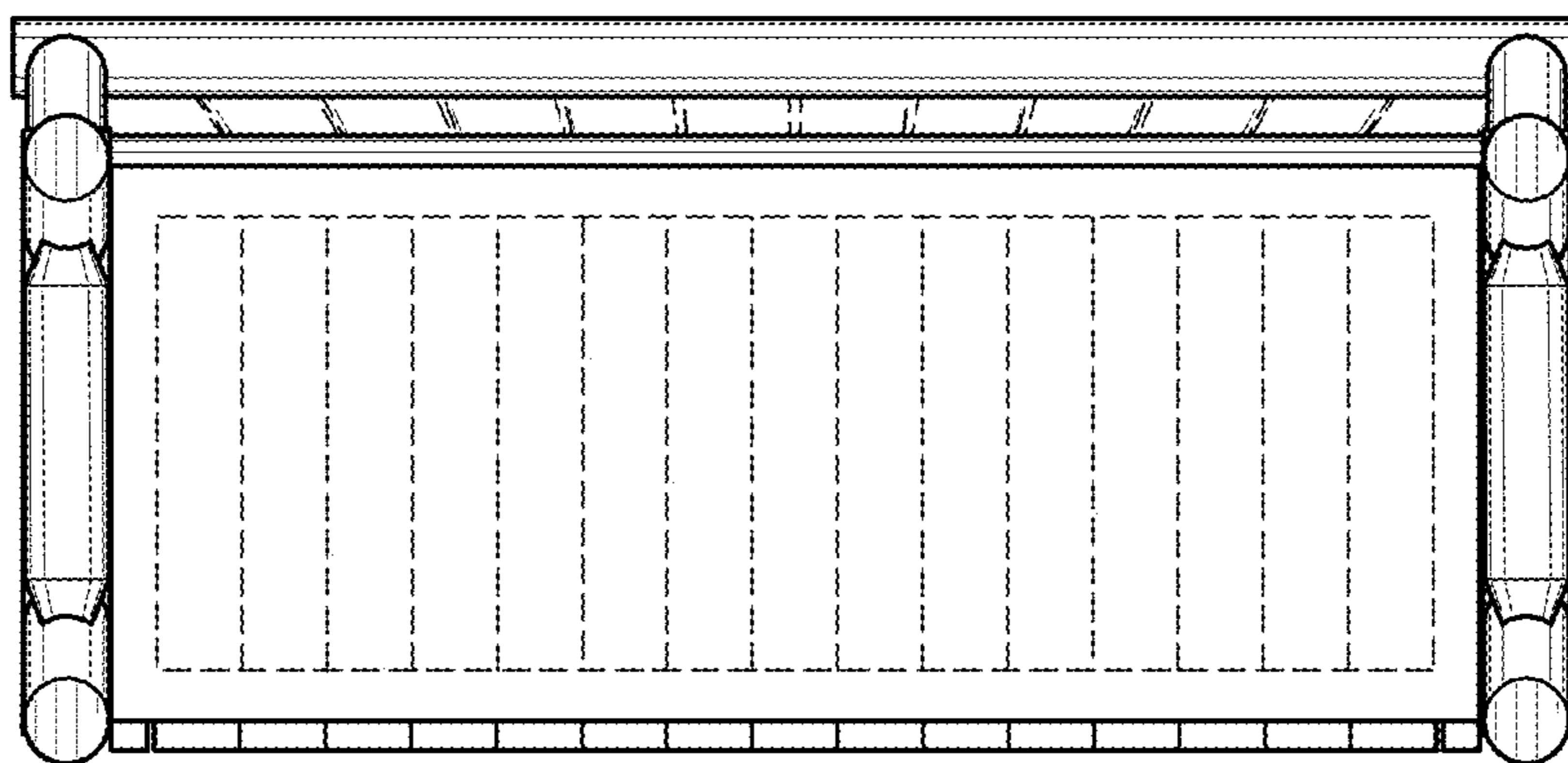


FIG. 7

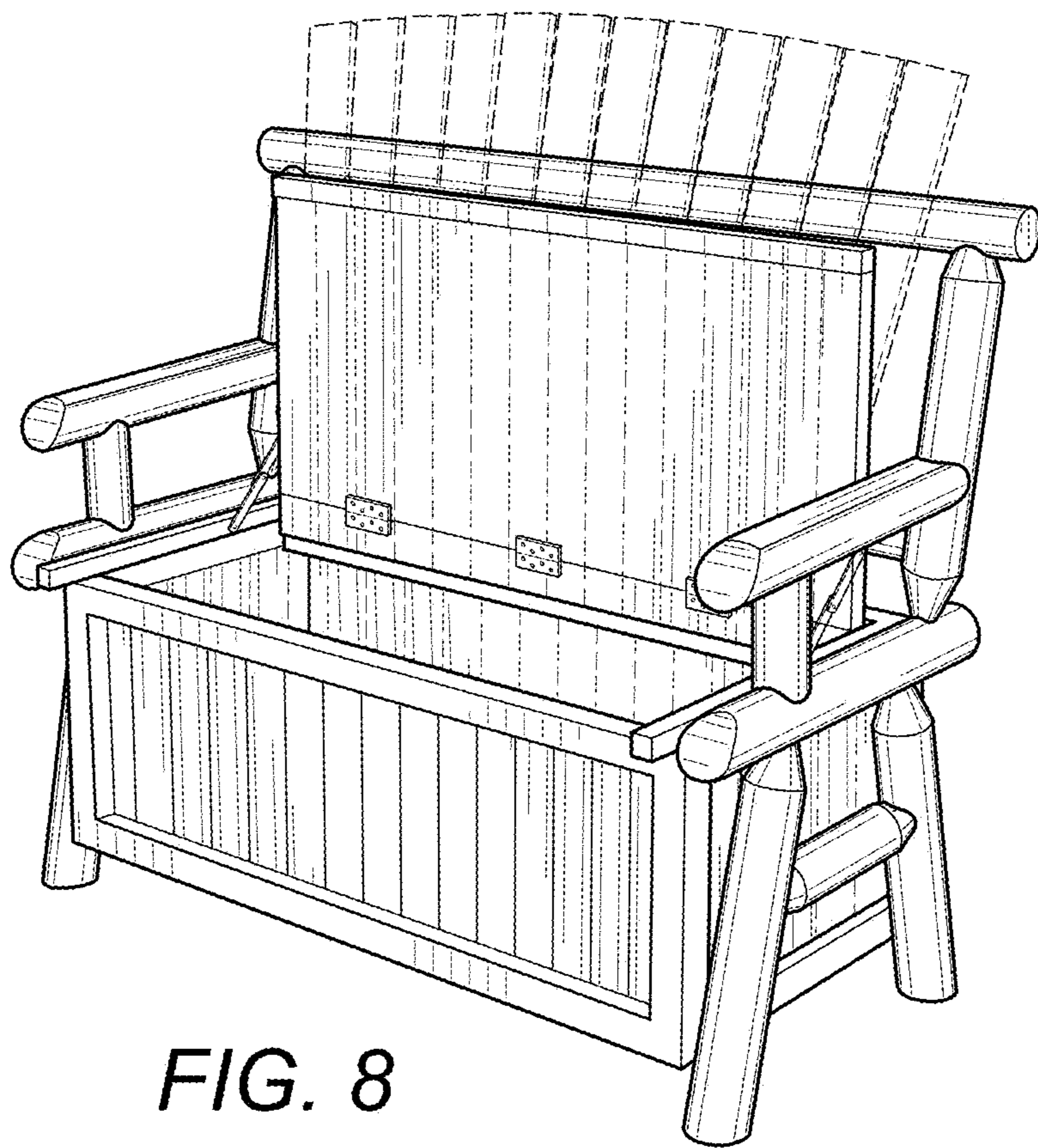


FIG. 8