



US00D722443S

(12) **United States Design Patent**  
**Baraldi et al.**

(10) **Patent No.:** **US D722,443 S**

(45) **Date of Patent:** **\*\* Feb. 17, 2015**

(54) **SEATING ISLAND**

(71) Applicant: **QubicaAMF Worldwide, LLC**,  
Mechanicsville, VA (US)

(72) Inventors: **Massimo Baraldi**, Bologna (IT);  
**Tommaso Parisi**, Bologna (IT); **Michele Oca**, San Matteo Della Decima (IT)

(73) Assignee: **QubicaAMF Worldwide, LLC**,  
Mechanicsville, VA (US)

(\*\*) Term: **14 Years**

(21) Appl. No.: **29/477,101**

(22) Filed: **Dec. 19, 2013**

(51) **LOC (10) Cl.** ..... **06-01**

(52) **U.S. Cl.**  
USPC ..... **D6/335**

(58) **Field of Classification Search**  
CPC ..... A47C 17/00; A47C 17/02; A47C 17/12;  
A47C 17/18; A47C 7/021; A47C 31/00;  
A47C 3/16  
USPC ..... D6/334, 335, 336, 379, 381, 369, 349;  
297/94, 118, 232, 445.1, 448.1, DIG. 7  
See application file for complete search history.

(56) **References Cited**

U.S. PATENT DOCUMENTS

D39,265 S *	4/1908	Holtzolaw	.....	D6/357
D203,817 S *	2/1966	Burke	.....	D6/357
D233,283 S *	10/1974	Radke	.....	D6/335
D244,888 S *	7/1977	Shafer et al.	.....	D6/335
D273,158 S *	3/1984	Dubbin et al.	.....	D6/381
D289,466 S *	4/1987	Leib	.....	D6/335
D297,449 S *	8/1988	Vigil	.....	D21/830

D332,818 S *	1/1993	Spirk et al.	.....	D21/830
6,887,010 B2 *	5/2005	Mayer Rodis	.....	404/6
D532,209 S *	11/2006	Rodis	.....	D6/335
D548,985 S *	8/2007	Zakas	.....	D6/335

\* cited by examiner

*Primary Examiner* — Sandra Snapp

(74) *Attorney, Agent, or Firm* — Andrew M. Calderon;  
Roberts Mlotkowski Safran & Cole, P.C.

(57) **CLAIM**

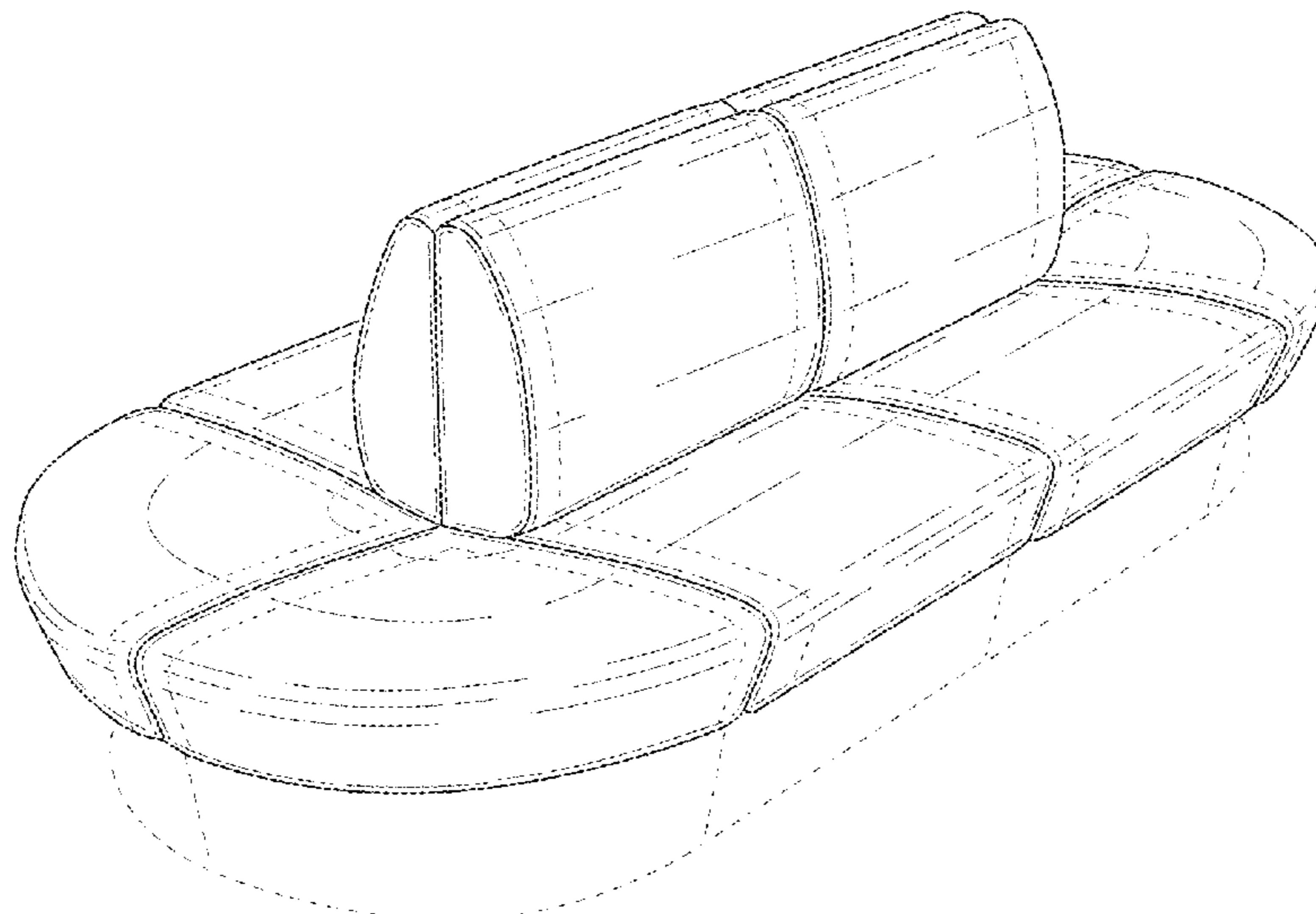
We claim the ornamental design for seating island, as shown and described.

**DESCRIPTION**

FIG. 1 is a front or rear view of a seating island;  
FIG. 2 is a side view of the seating island;  
FIG. 3 is a top view of the seating island;  
FIG. 4 is a bottom view of the seating island;  
FIG. 5 is a perspective view of the seating island;  
FIG. 6 is a front or rear view of an another aspect of the seating island;  
FIG. 7 is a side view of the another aspect of the seating island;  
FIG. 8 is a top view of the another aspect of the seating island;  
FIG. 9 is a bottom view of the another aspect of the seating island; and,  
FIG. 10 is a perspective view of the another aspect of the seating island.

Applicant notes that the side view of the seating island as shown in FIGS. 2 and 7 is representative of both a right side view and left side view of the seating island. Any subject matter shown in dashed lines, and any surfaces of the design not shown, including interior surfaces, form no part of the claimed invention.

**1 Claim, 10 Drawing Sheets**



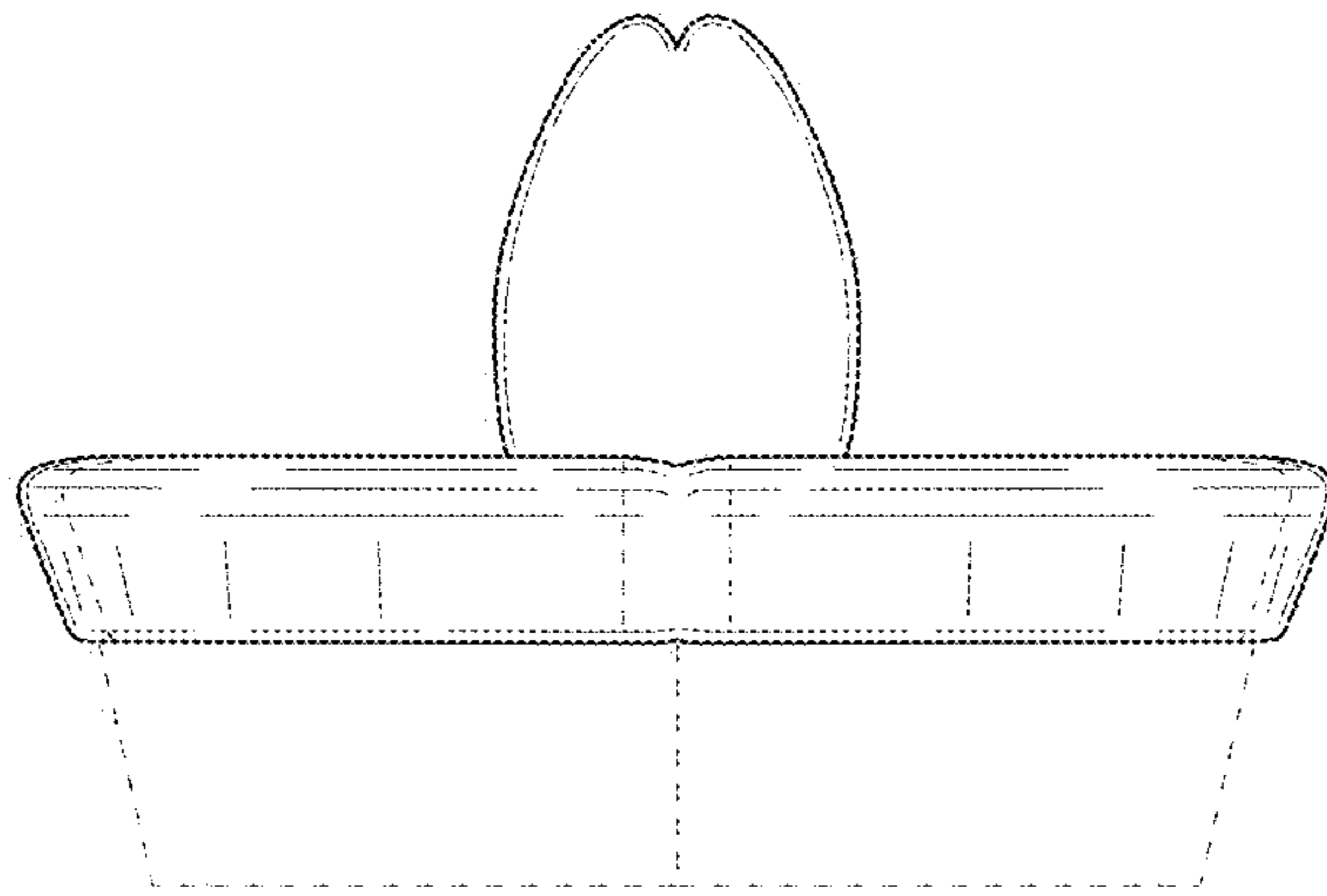


FIG. 1

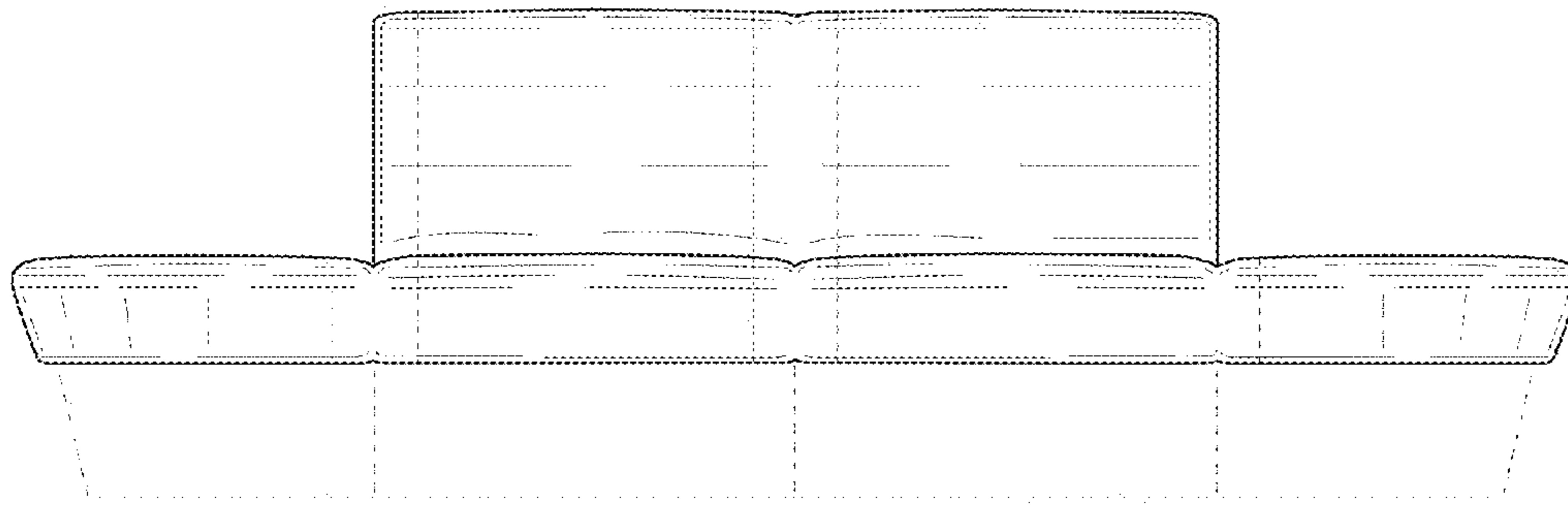


FIG. 2

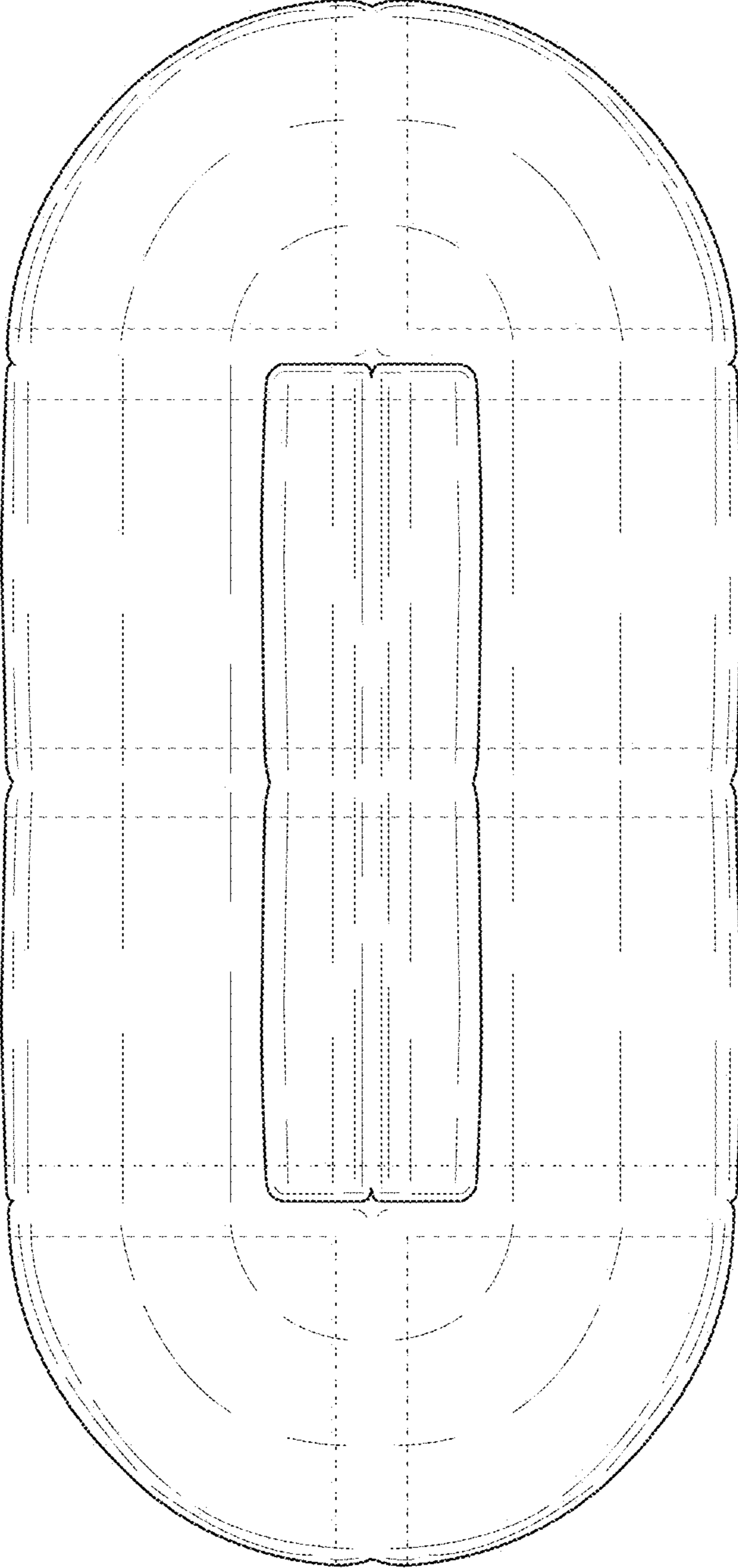


FIG. 3

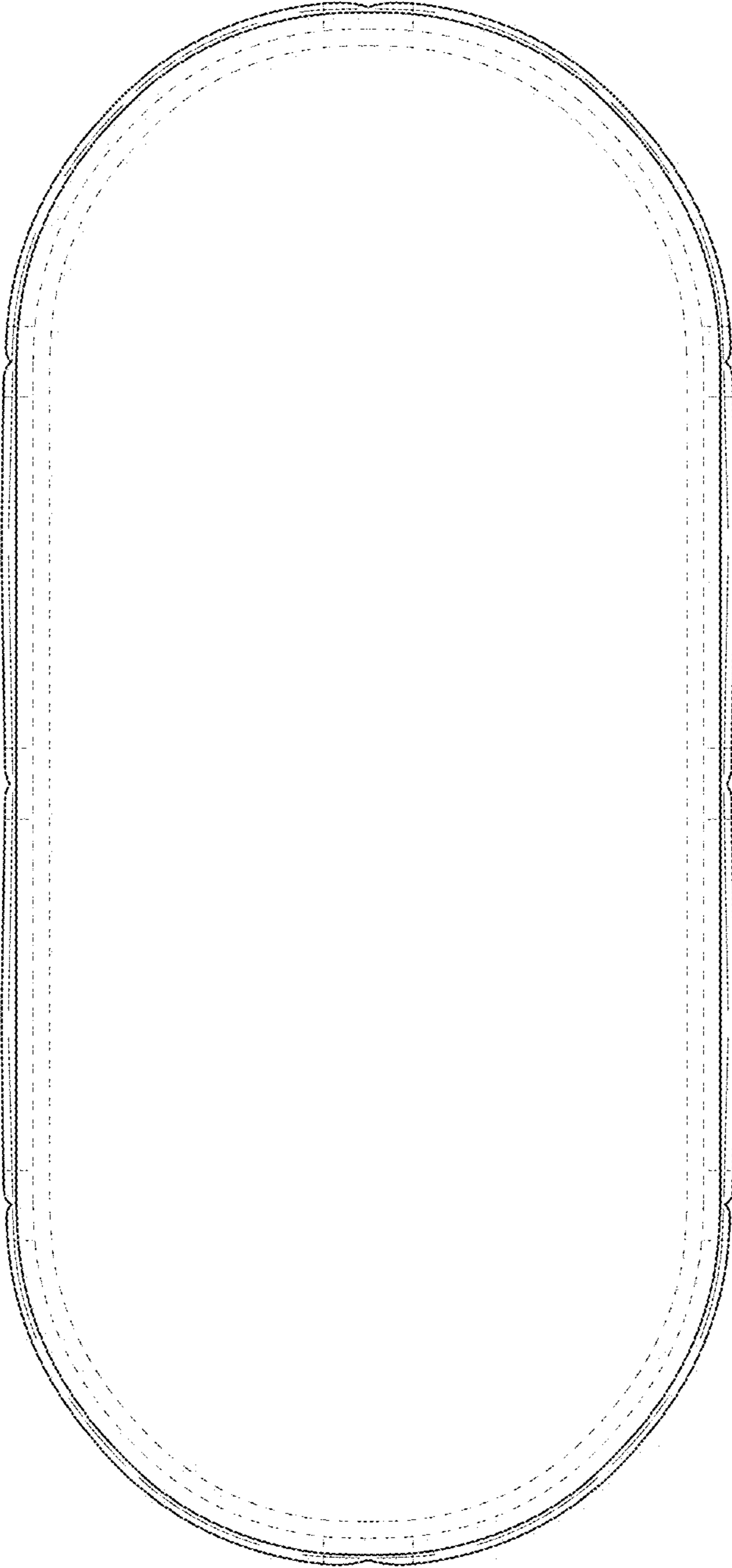


FIG. 4

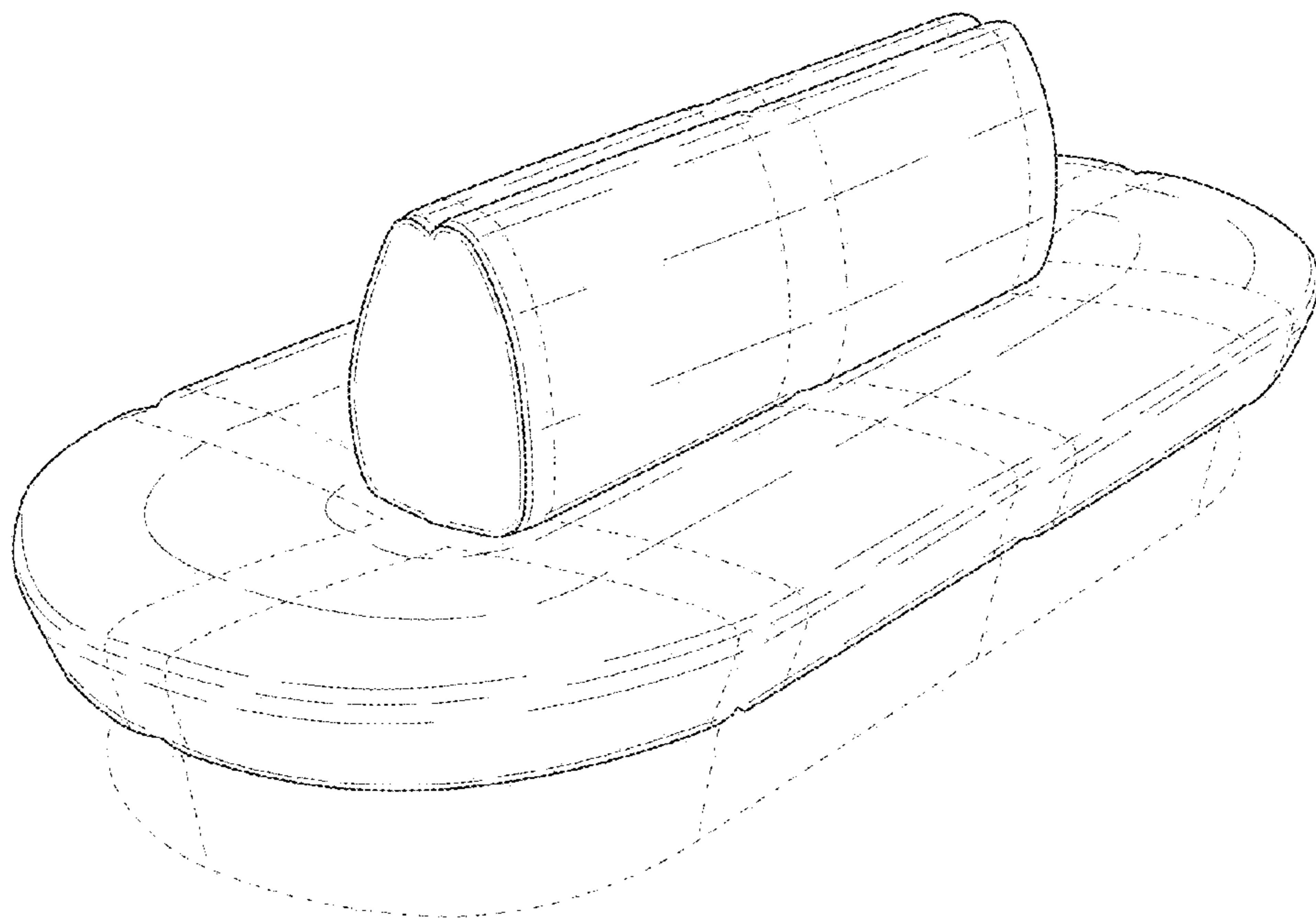


FIG. 5

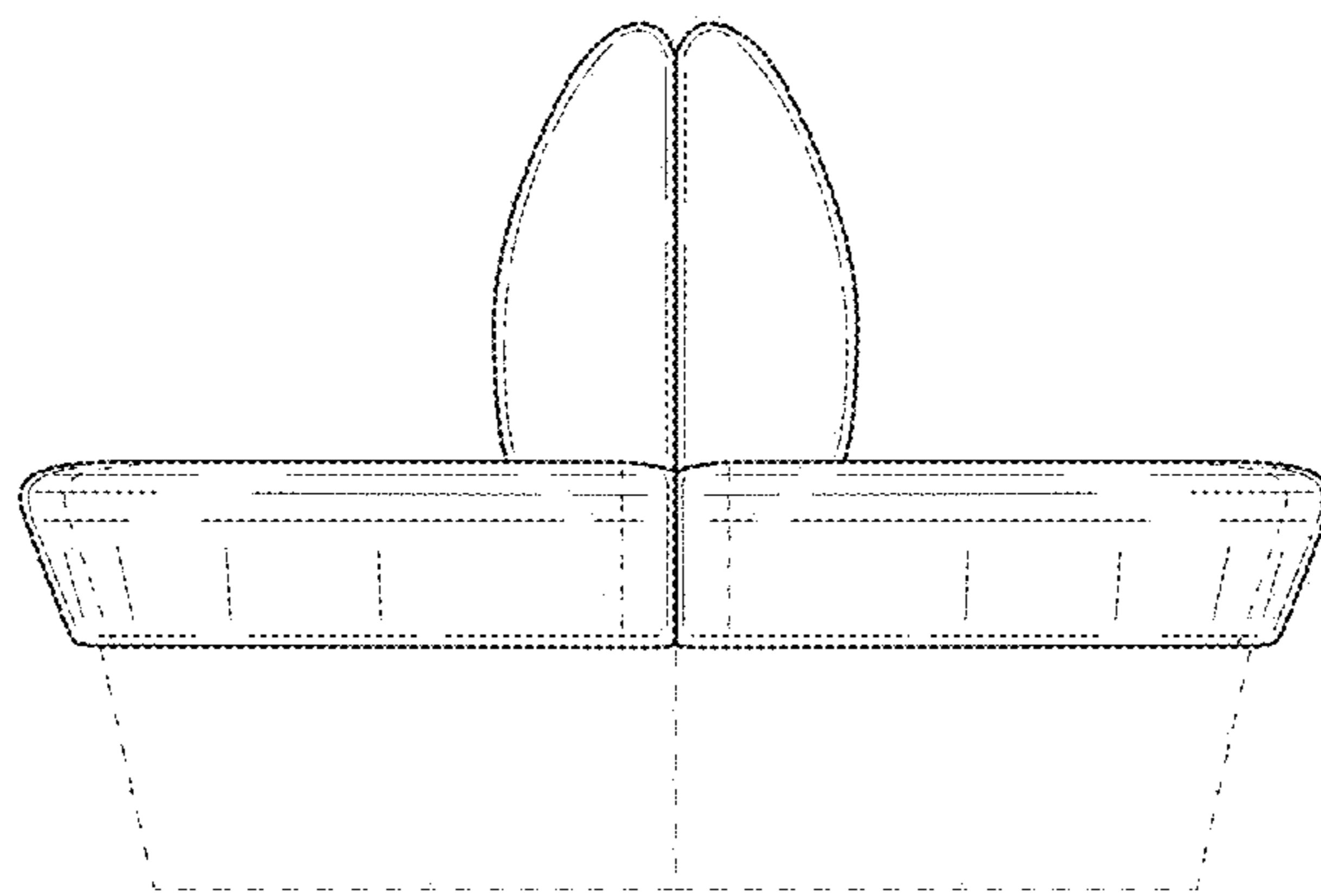


FIG. 6

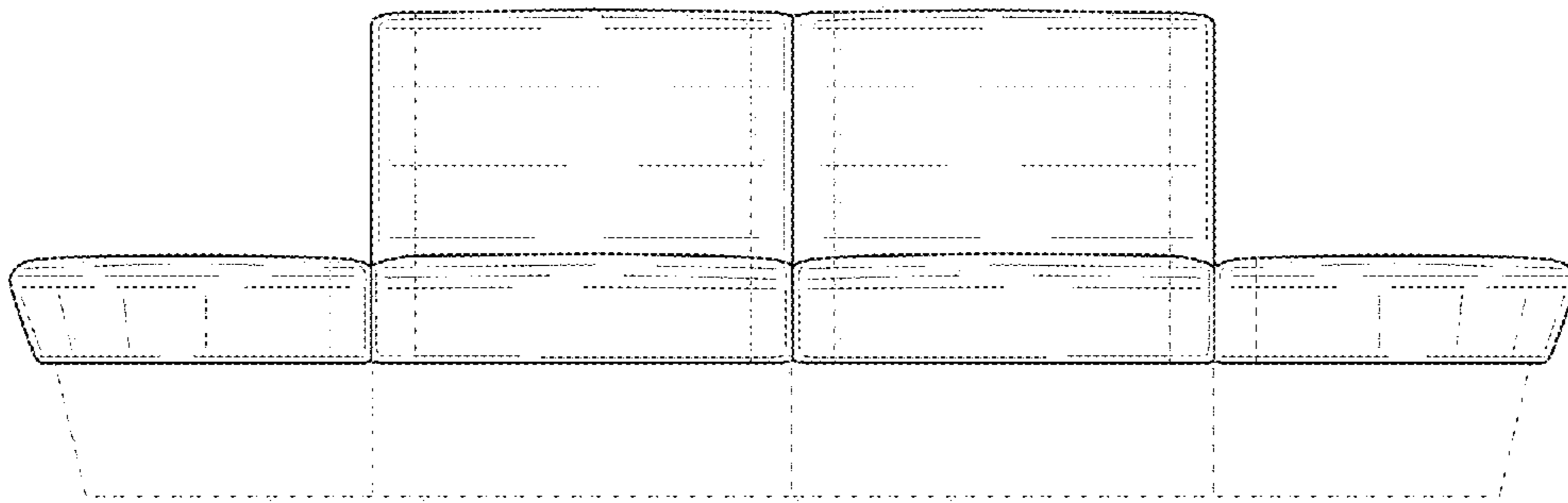


FIG. 7



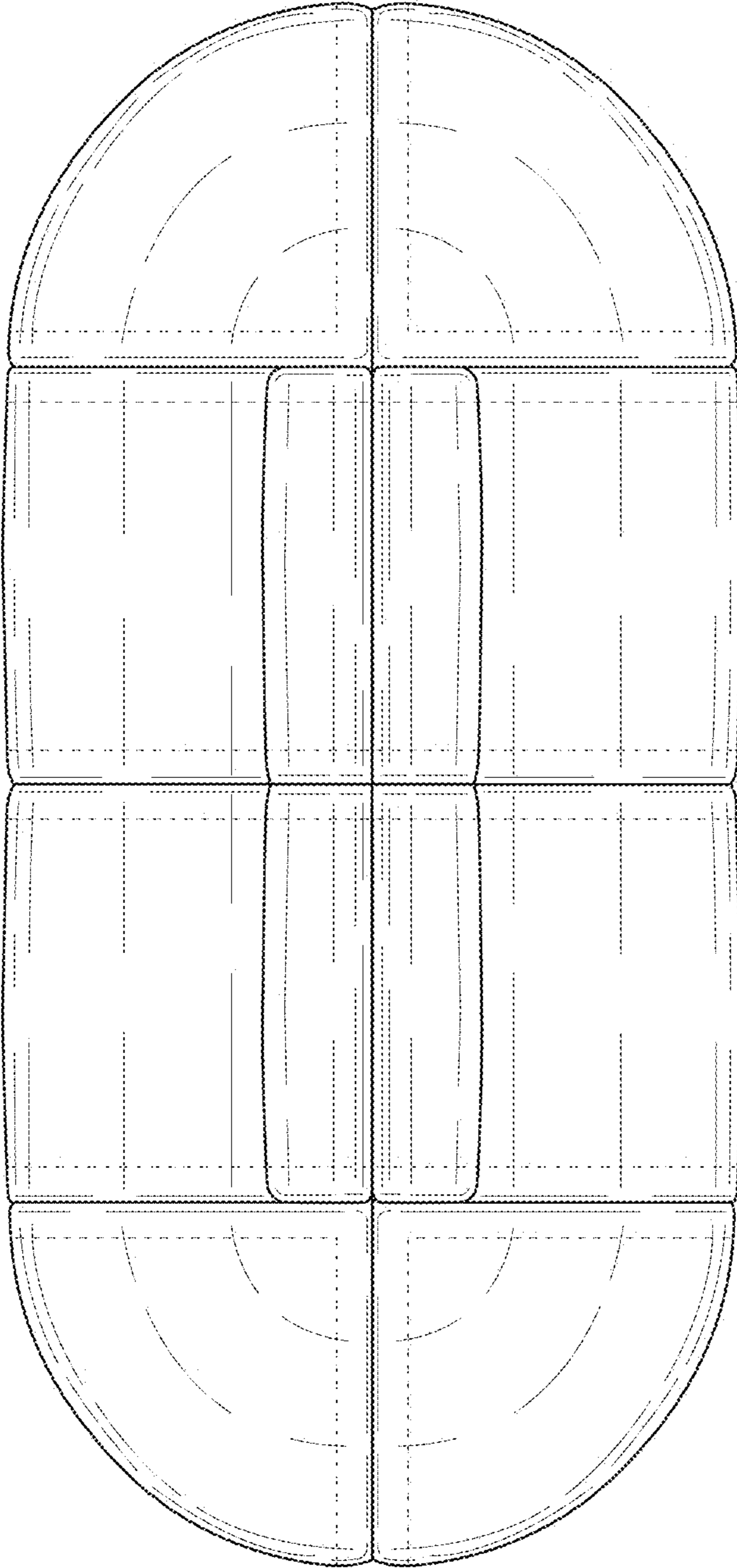


FIG. 8

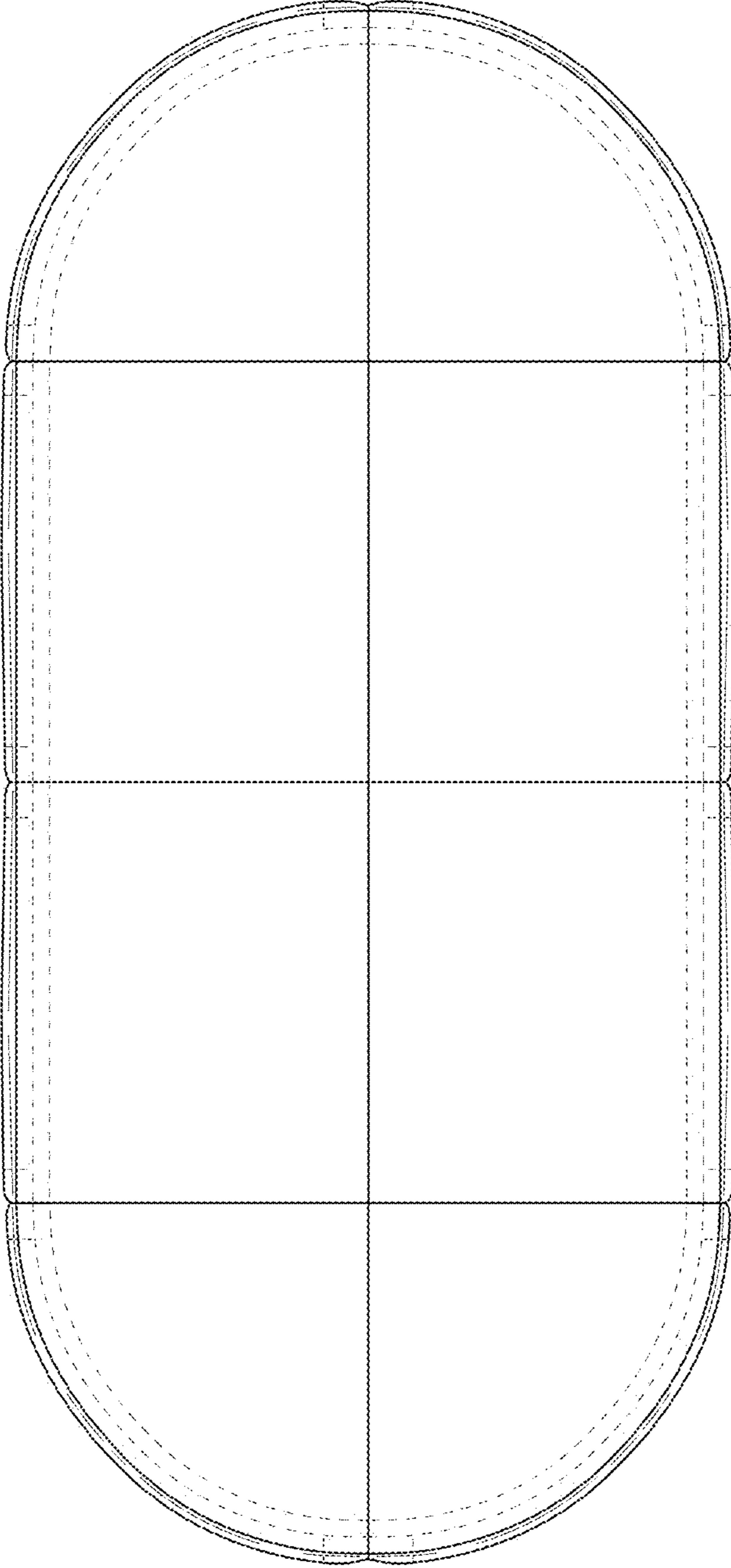


FIG. 9

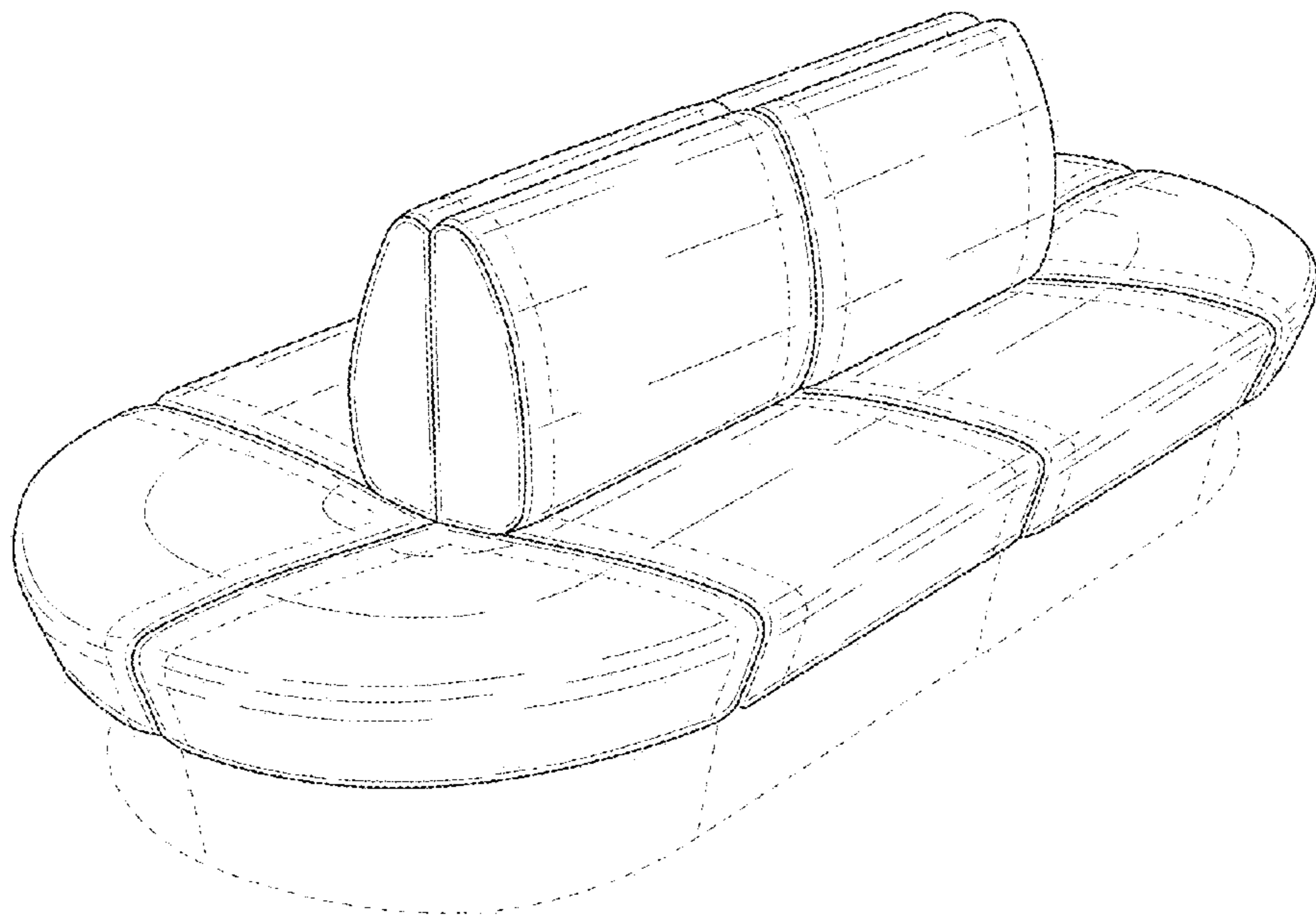


FIG. 10