



US00D722434S

(12) **United States Design Patent**
Bowen

(10) **Patent No.:** **US D722,434 S**

(45) **Date of Patent:** **** Feb. 17, 2015**

(54) **BUSINESS CARD CASE**

(71) Applicant: **Ab Initio Technology LLC**, Lexington, MA (US)

(72) Inventor: **Allen Bowen**, Beverly, MA (US)

(73) Assignee: **Ab Initio Technology LLC**, Lexington, MA (US)

(**) Term: **14 Years**

(21) Appl. No.: **29/467,470**

(22) Filed: **Sep. 19, 2013**

(51) **LOC (10) Cl.** **03-01**

(52) **U.S. Cl.**
USPC **D3/247**

(58) **Field of Classification Search**
CPC G09F 1/10
USPC D3/203.1, 203.5, 203.6, 203.8,
D3/225-227, 247-253, 299, 301, 303;
D14/250; 40/124.01, 124.06, 124.09,
40/358, 910-912; 206/39, 232, 424, 425,
206/457, 494, 534; 150/131-149, 152, 165
See application file for complete search history.

(56) **References Cited**

U.S. PATENT DOCUMENTS

3,483,909	A *	12/1969	Mascolo et al.	150/139
D336,563	S *	6/1993	Lamb	D3/248
D376,257	S *	12/1996	Broussalian	D3/247
D592,398	S *	5/2009	Roesler	D3/294
D612,152	S *	3/2010	Roesler	D3/294
D624,256	S *	9/2010	Boulos et al.	D32/25
D666,811	S *	9/2012	Yang	D3/247
D672,952	S *	12/2012	Yang	D3/247
D697,715	S *	1/2014	Dietrich	D3/247
2008/0072469	A1 *	3/2008	Parker et al.	40/537
2008/0230160	A1 *	9/2008	Huang	150/165
2010/0314011	A1 *	12/2010	Chen	150/149

* cited by examiner

Primary Examiner — Robert M Spear

Assistant Examiner — Marissa J Cash

(74) *Attorney, Agent, or Firm* — Fish & Richardson P.C.

(57) **CLAIM**

The ornamental design for a business card case, substantially as shown and described.

DESCRIPTION

FIG. 1 is a perspective view of one embodiment of an ornamental design for a business card case, shown in open position and displaying several card pockets.

FIG. 2 is a perspective view of the design for a business card case of FIG. 1 in closed position.

FIG. 3 is a front view of the design for a business card case of FIG. 1 in open position.

FIG. 4 is a front view of the design for a business card case of FIG. 1 in closed position.

FIG. 5 is a right side view of the design for a business card case of FIG. 1 in open position.

FIG. 6 is a right side view of the design for a business card case of FIG. 1 in closed position.

FIG. 7 is a top view of the design for a business card case of FIG. 1 in open position.

FIG. 8 is a top view of the design for a business card case of FIG. 1 in closed position.

FIG. 9 is a bottom view of the design for a business card case of FIG. 1 in open position.

FIG. 10 is a bottom view of the design for a business card case of FIG. 1 in closed position.

FIG. 11 is a perspective view of the design for a business card case of FIG. 1 in open position, with business cards (shown in broken lines) inserted in card pockets.

FIG. 12 is a perspective view of the design for a business card case of FIG. 1 in closed position, with business cards (shown in broken lines) inserted in card pockets.

FIG. 13 is a front view of the design for a business card case of FIG. 1 in open position, with business cards (shown in broken lines) inserted in card pockets.

FIG. 14 is a front view of the design for a business card case of FIG. 1 in closed position, with business cards (shown in broken lines) inserted in card pockets.

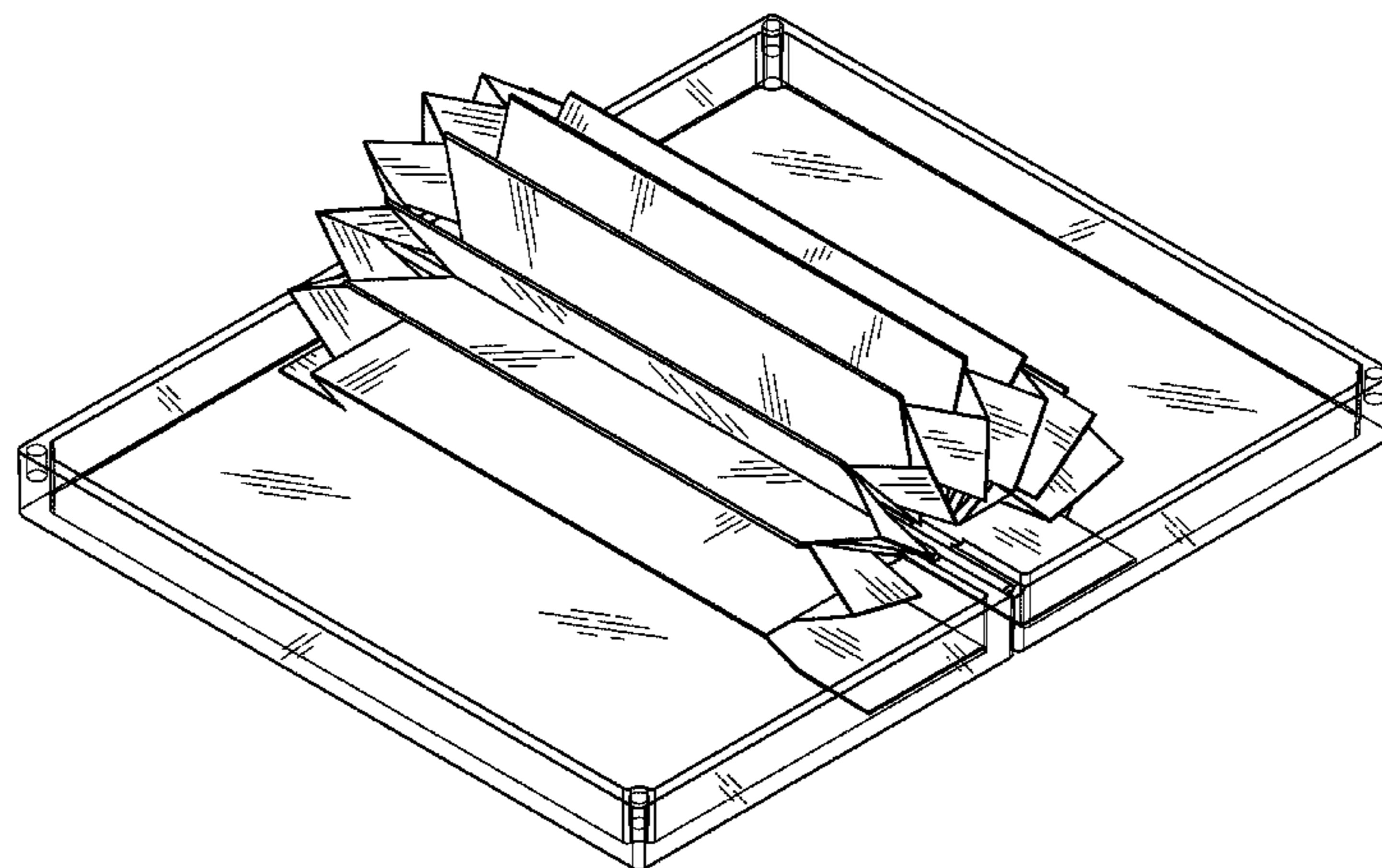


FIG. 15 is a right side view of the design for a business card case of FIG. 1 in open position, with business cards (shown in broken lines) inserted in card pockets.

FIG. 16 is a right side view of the design for a business card case of FIG. 1 in closed position, with business cards (shown in broken lines) inserted in card pockets.

FIG. 17 is a top view of the design for a business card case of FIG. 1 in open position, with business cards (shown in broken lines) inserted in card pockets.

FIG. 18 is a top view of the design for a business card case of FIG. 1 in closed position, with business cards (shown in broken lines) inserted in card pockets.

FIG. 19 is a bottom view of the design for a business card case of FIG. 1 in open position, with business cards (shown in broken lines) inserted in card pockets.

The back view of the ornamental design for a business card case of FIG. 1 (in open position) is substantially the same as the front view (in open position).

The back view of the design for a business card case of FIG. 1 (in closed position) is substantially the same as the front view (in closed position).

The left side view of the design for a business card case of FIG. 1 (in open position) is substantially the same as the right side view (in open position).

The left side view of the design for a business card case of FIG. 1 (in closed position) is substantially the same as the right side view (in closed position).

FIG. 20 is a perspective view of another embodiment of the ornamental design for a business card case shown in open position, with several card pockets, each holding two or more business cards.

FIG. 21 is a perspective view of the design for a business card case of FIG. 20 in closed position.

FIG. 22 is a front view of the design for a business card case of FIG. 20 in open position.

FIG. 23 is a front view of the design for a business card case of FIG. 20 in closed position.

FIG. 24 is a right side view of the design for a business card case of FIG. 20 in open position.

FIG. 25 is a right side view of the design for a business card case of FIG. 20 in closed position.

FIG. 26 is a top view of the design for a business card case of FIG. 20 in open position.

FIG. 27 is a top view of the design for a business card case of FIG. 20 in closed position.

FIG. 28 is a bottom view of the design for a business card case of FIG. 20 in open position.

FIG. 29 is a bottom view of the design for a business card case of FIG. 20 in closed position.

FIG. 30 is a perspective view of the design for a business card case of FIG. 20 in open position, with business cards (shown in broken lines) inserted in card pockets.

FIG. 31 is a perspective view of the design for a business card case of FIG. 20 in closed position, with business cards (shown in broken lines) inserted in card pockets.

FIG. 32 is a front view of the design for a business card case of FIG. 20 in open position, with business cards (shown in broken lines) inserted in card pockets.

FIG. 33 is a front view of the design for a business card case of FIG. 20 in closed position, with business cards (shown in broken lines) inserted in card pockets.

FIG. 34 is a right side view of the design for a business card case of FIG. 20 in open position, with business cards (shown in broken lines) inserted in card pockets.

FIG. 35 is a right side view of the design for a business card case of FIG. 20 in closed position, with business cards (shown in broken lines) inserted in card pockets.

FIG. 36 is a top view of the design for a business card case of FIG. 20 in open position, with business cards (shown in broken lines) inserted in card pockets.

FIG. 37 is a top view of the design for a business card case of FIG. 20 in closed position, with business cards (shown in broken lines) inserted in card pockets.

FIG. 38 is a bottom view of the design for a business card case of FIG. 20 in open position, with business cards (shown in broken lines) inserted in card pockets.

The back view of the ornamental design for a business card case of FIG. 20 (in open position) is substantially the same as the front view (in open position).

The back view of the design for a business card case of FIG. 20 (in closed position) is substantially the same as the front view (in closed position).

The left side view of the design for a business card case of FIG. 20 (in open position) is substantially the same as the right side view (in open position).

The left side view of the design for a business card case of FIG. 20 (in closed position) is substantially the same as the right side view (in closed position).

FIG. 39 is a perspective view of another embodiment of an ornamental design of a business card case in open position, with the business card case design including several card pockets, which may be transparent or semi-transparent. The design for a business card case of FIG. 39 is substantially the same as the design for a business card case of FIG. 1, except that in the design for a business card case of FIG. 39, the card pockets are transparent or semi-transparent.

FIG. 40 is a perspective view of the design for a business card case of FIG. 39 in closed position.

FIG. 41 is a front view of the design for a business card case of FIG. 39 in open position.

FIG. 42 is a front view of the design for a business card case of FIG. 39 in closed position.

FIG. 43 is a right side view of the design for a business card case of FIG. 39 in open position.

FIG. 44 is a right side view of the design for a business card case of FIG. 39 in closed position.

FIG. 45 is a top view of the design for a business card case of FIG. 39 in open position.

FIG. 46 is a top view of the design for a business card case of FIG. 39 in closed position.

FIG. 47 is a bottom view of the design for a business card case of FIG. 39 in open position.

FIG. 48 is a bottom view of the design for a business card case of FIG. 39 in closed position.

The back view of the ornamental design for a business card case of FIG. 39 (in open position) is substantially the same as the front view (in open position).

The back view of the design for a business card case of FIG. 39 (in closed position) is substantially the same as the front view (in closed position).

The left side view of the design for a business card case of FIG. 39 (in open position) is substantially the same as the right side view (in open position).

The left side view of the design for a business card case of FIG. 39 (in closed position) is substantially the same as the right side view (in closed position).

FIG. 49 is a perspective view of another embodiment of the ornamental design for a business card case in open position, the design for a business card case including several card

pockets that are transparent or semi-transparent and hold two or more cards. The design for a business card case of FIG. 49 is substantially the same as the design for a business card case of FIG. 20 except in the design for a business card case of FIG. 49, the card pocket are transparent or semi-transparent.

FIG. 50 is a perspective view of the design for a business card case of FIG. 49 in closed position.

FIG. 51 is a front view of the design for a business card case of FIG. 49 in open position.

FIG. 52 is a front view of the design for a business card case of FIG. 49 in closed position.

FIG. 53 is a right side view of the design for a business card case of FIG. 49 in open position.

FIG. 54 is a right side view of the design for a business card case of FIG. 49 in closed position.

FIG. 55 is a top view of the design for a business card case of FIG. 49 in open position.

FIG. 56 is a top view of the design for a business card case of FIG. 49 in closed position.

FIG. 57 is a bottom view of the design for a business card case of FIG. 49 in open position; and,

FIG. 58 is a bottom view of the design for a business card case of FIG. 49 in closed position.

The back view of the ornamental design for a business card case of FIG. 49 (in open position) is substantially the same as the front view (in open position).

The back view of the design for a business card case of FIG. 49 (in closed position) is substantially the same as the front view (in closed position).

The left side view of the design for a business card case of FIG. 49 (in open position) is substantially the same as the right side view (in open position).

The left side view of the design for a business card case of FIG. 49 (in closed position) is substantially the same as the right side view (in closed position).

The business cards shown in the drawings are for illustrative purpose only, and form no part of the claimed design.

1 Claim, 27 Drawing Sheets

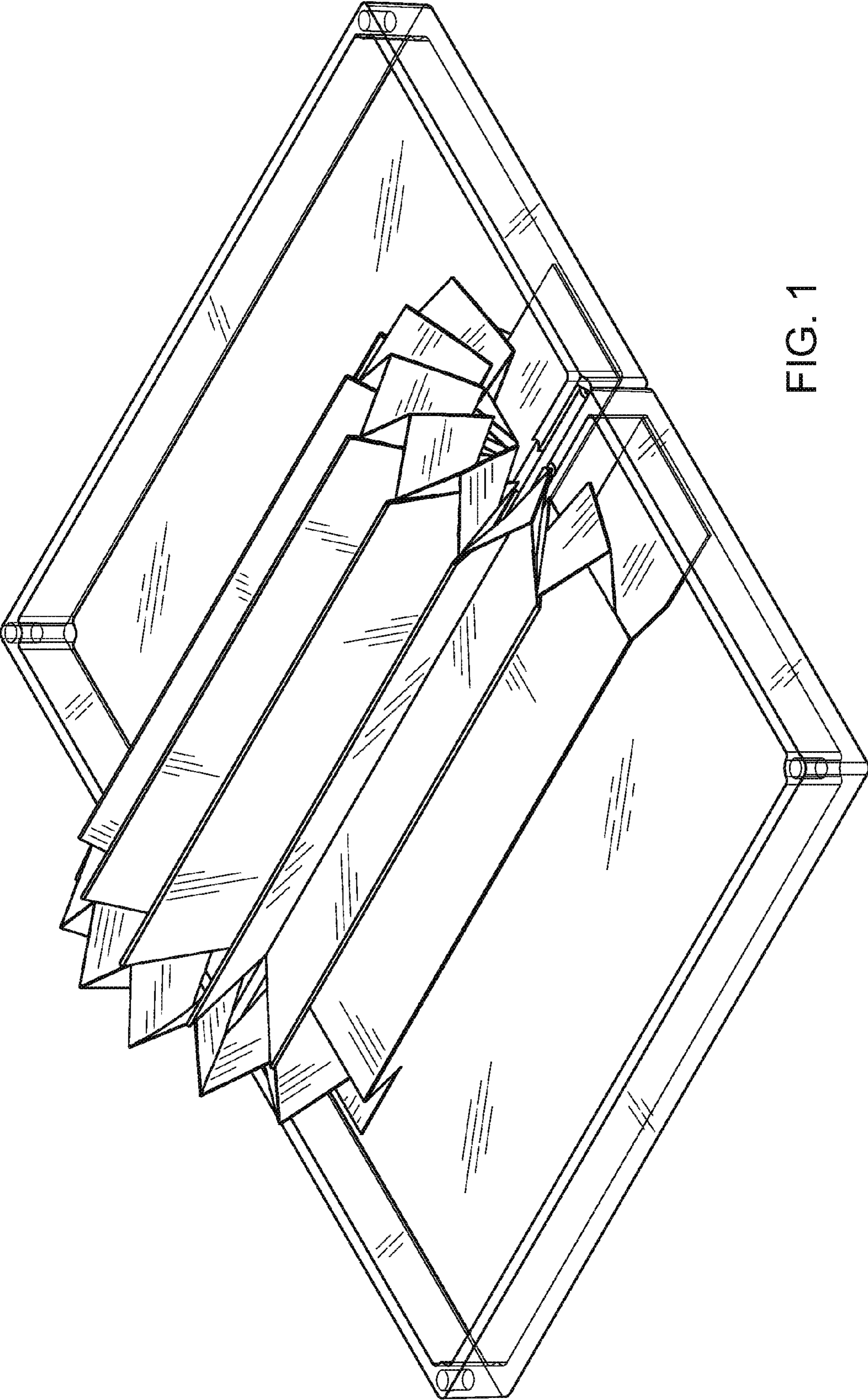


FIG. 1

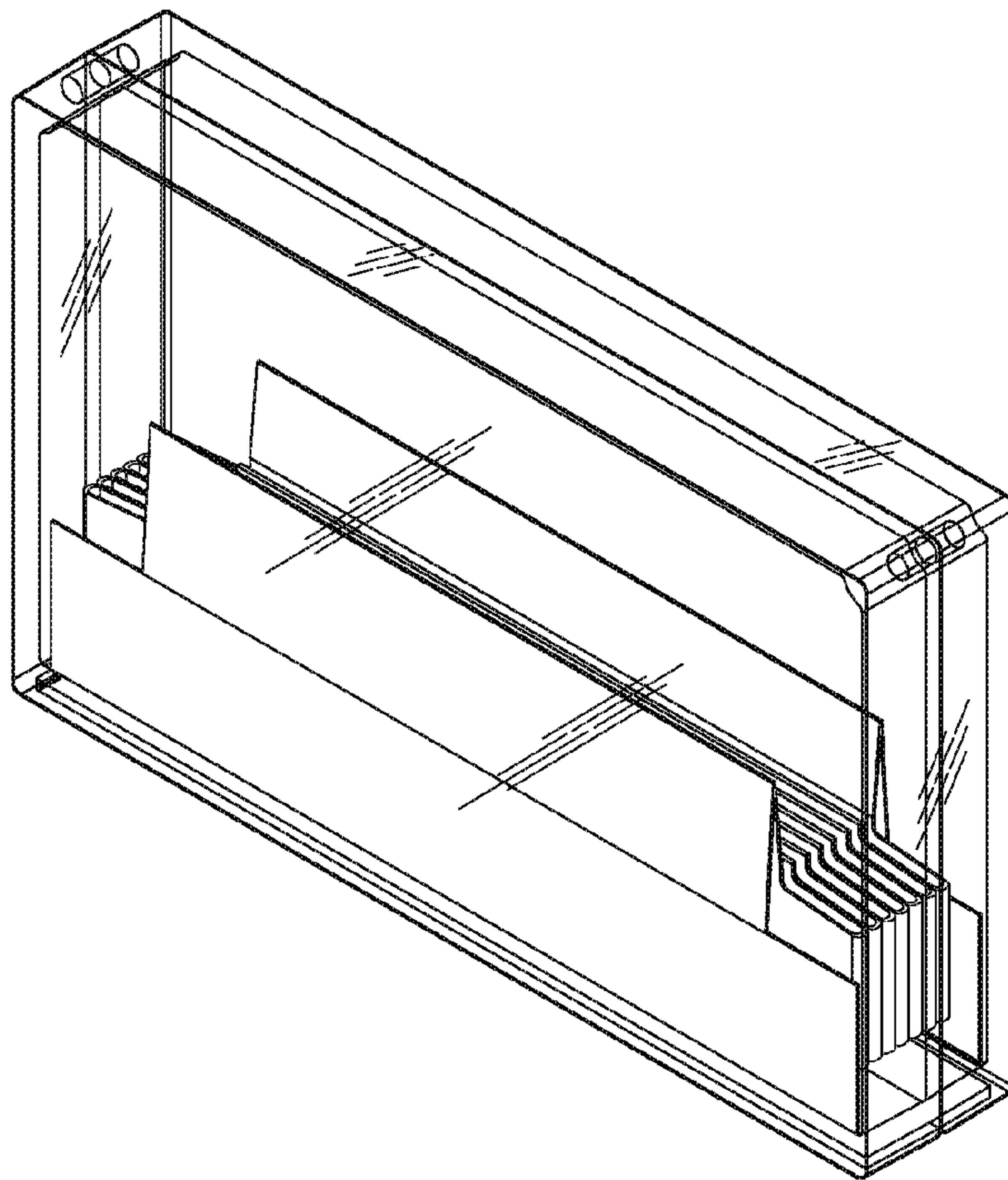


FIG. 2

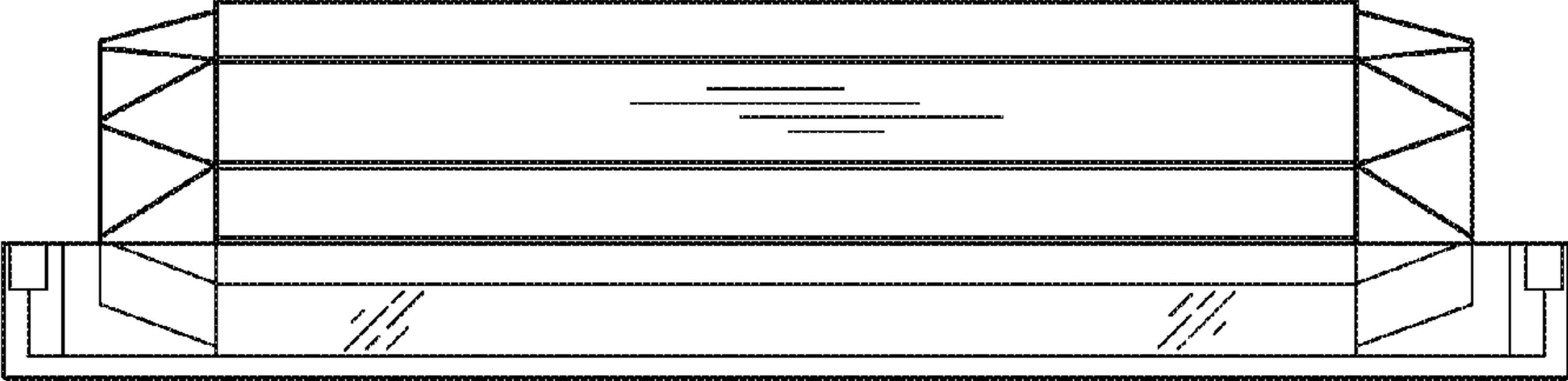


FIG. 3

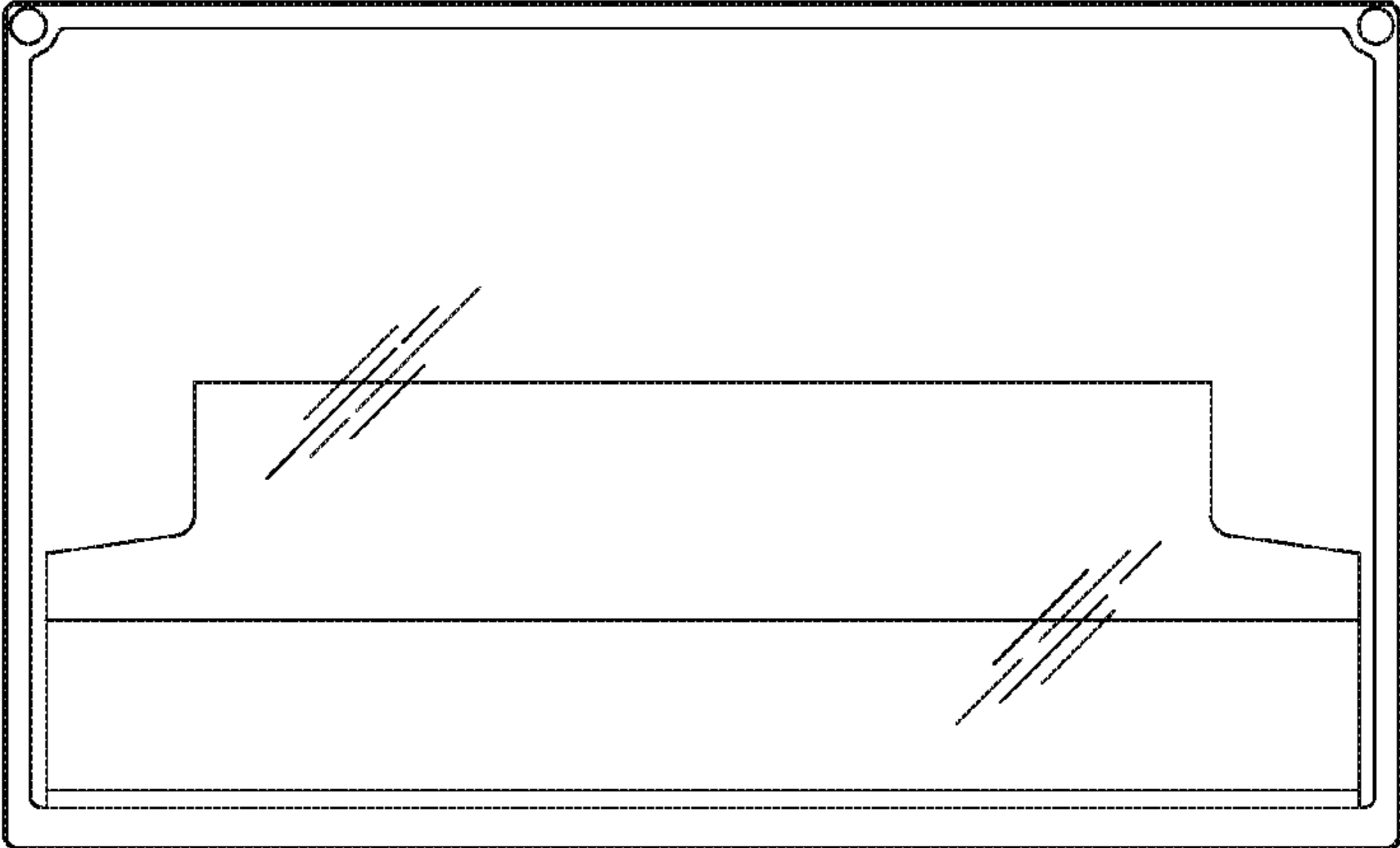


FIG. 4

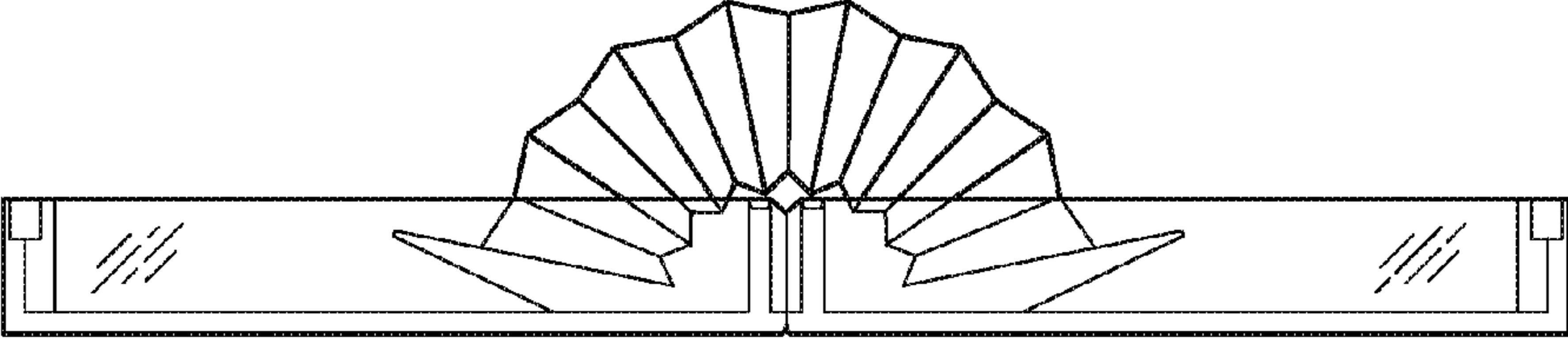


FIG. 5

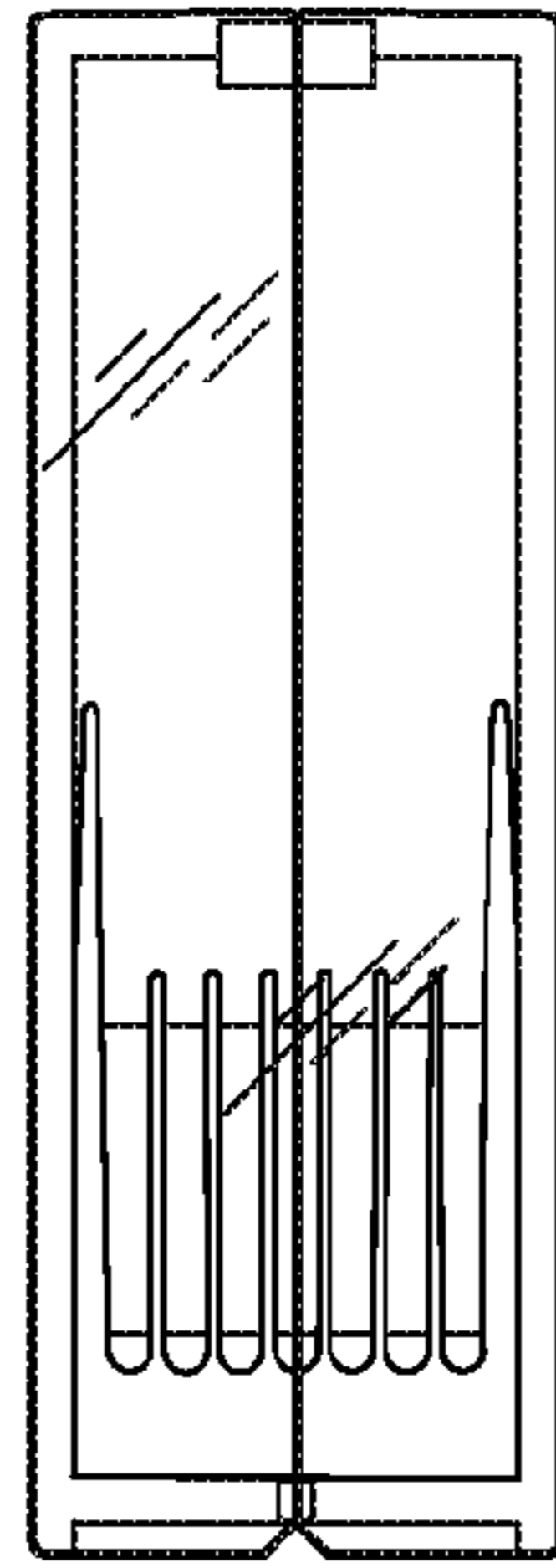


FIG. 6

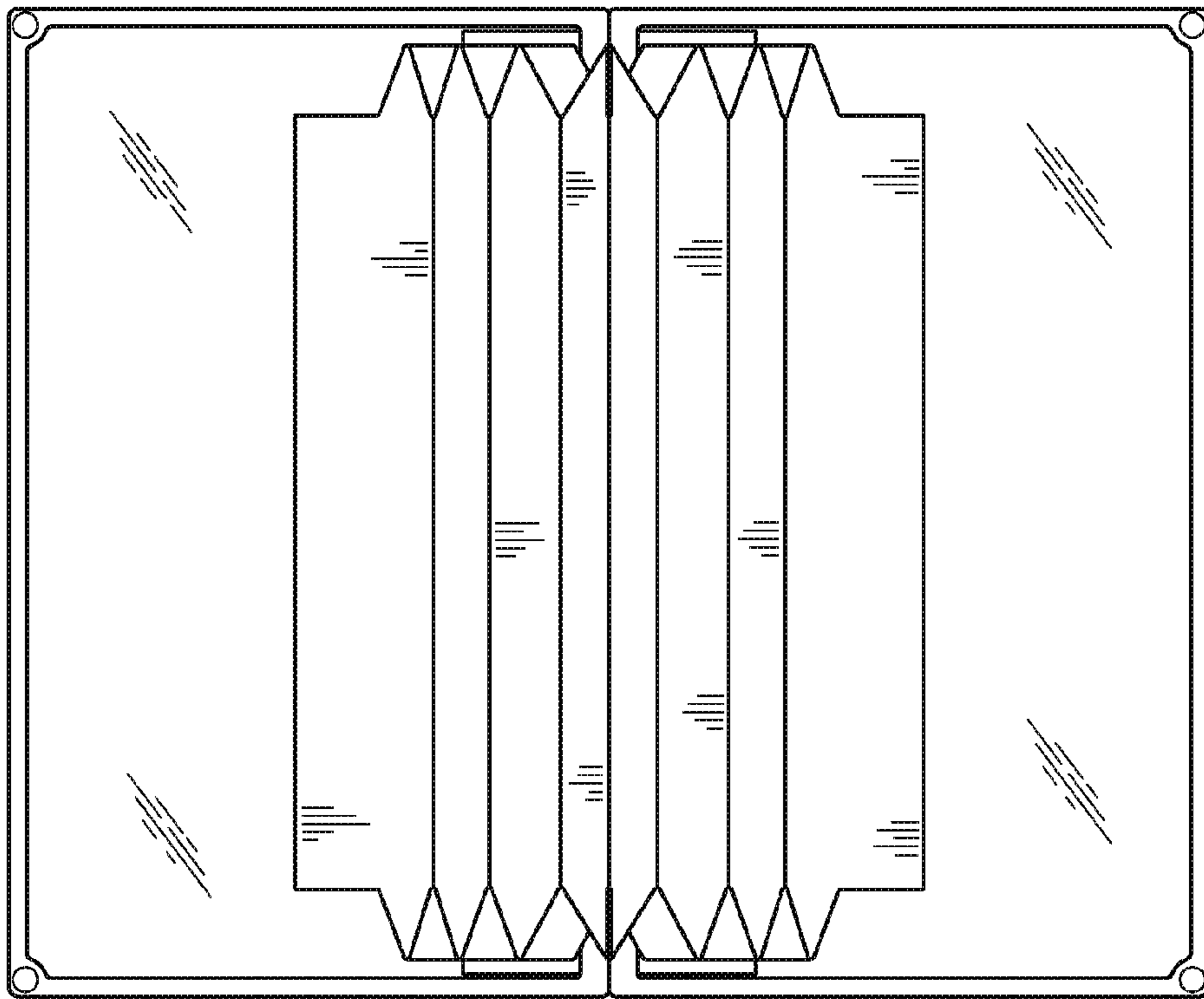


FIG. 7



FIG. 8

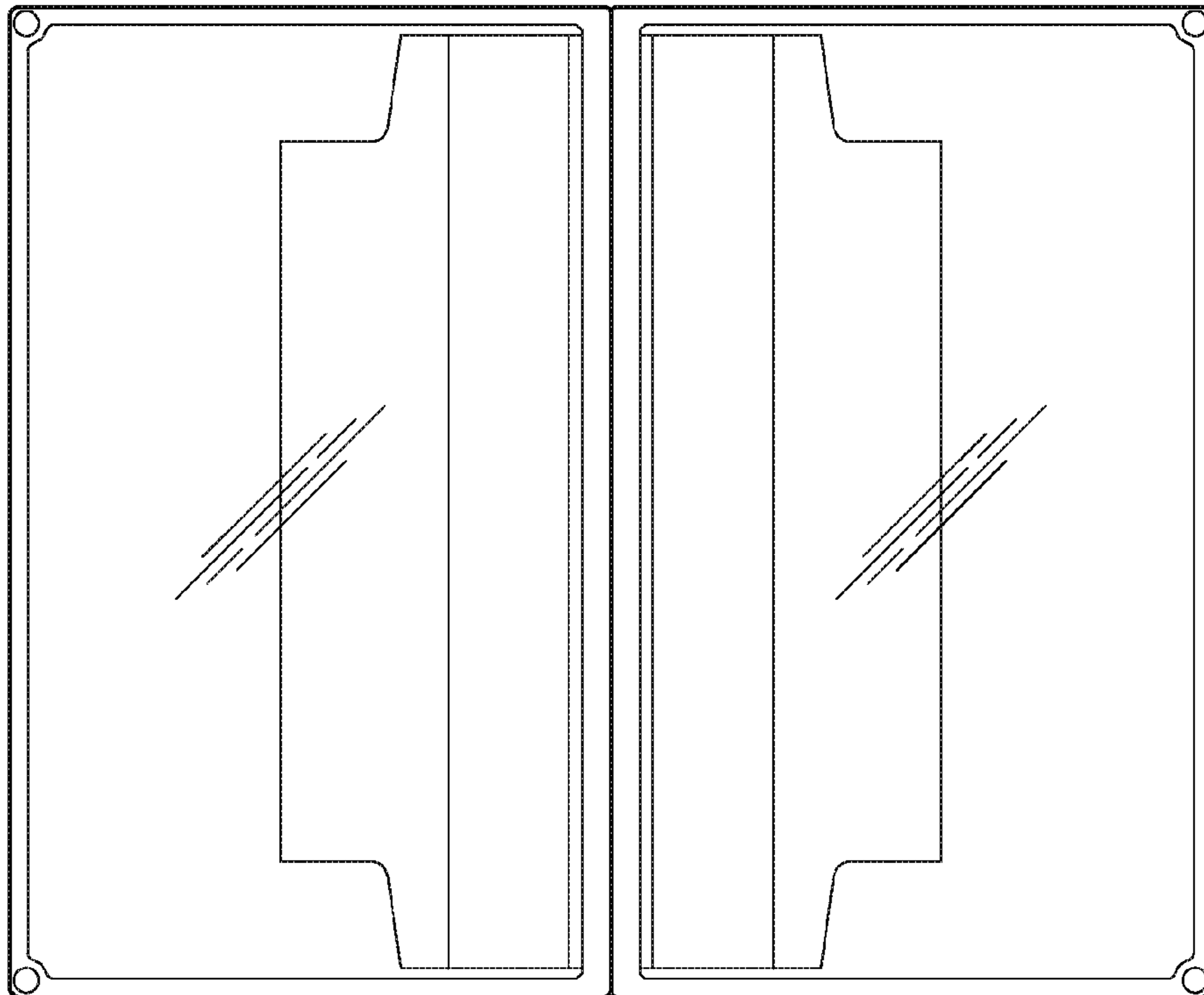


FIG. 9

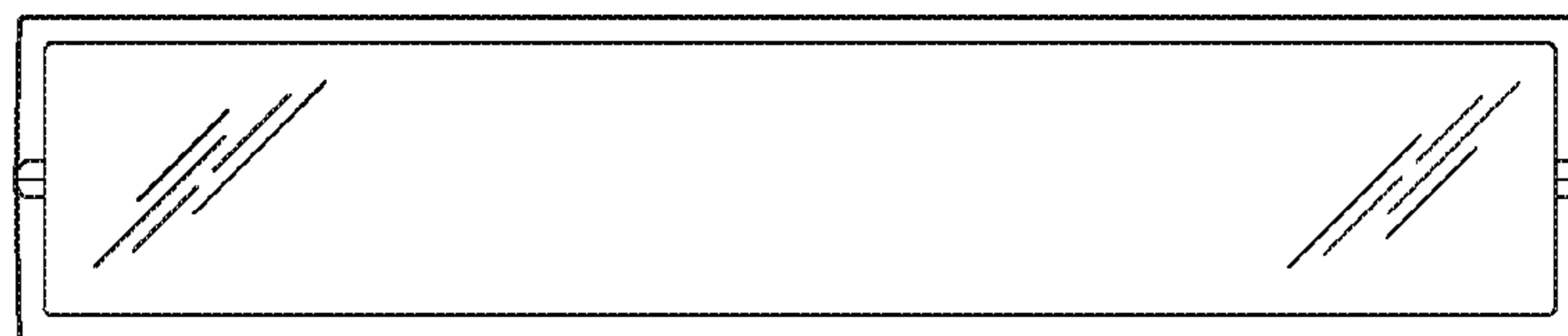


FIG. 10

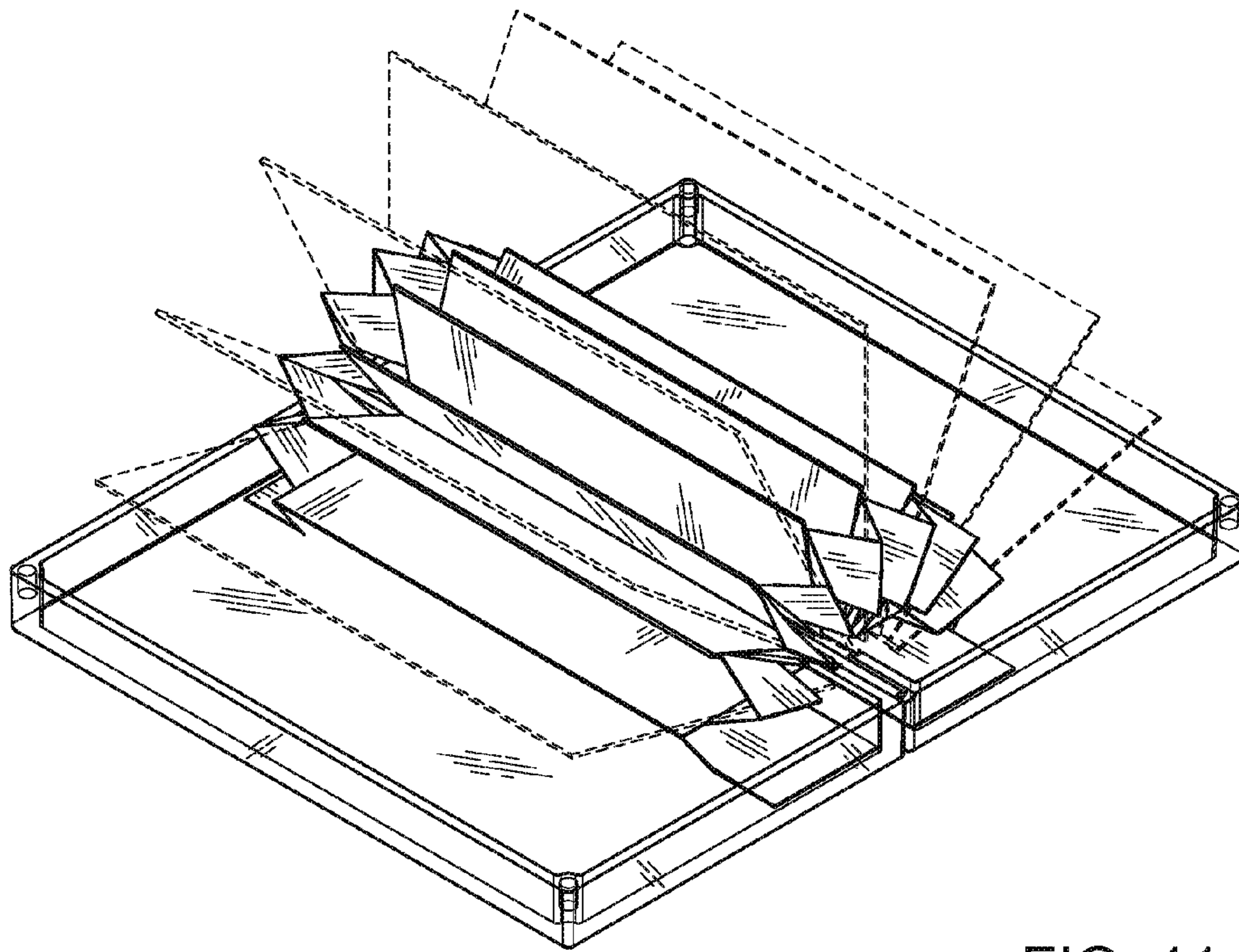


FIG. 11

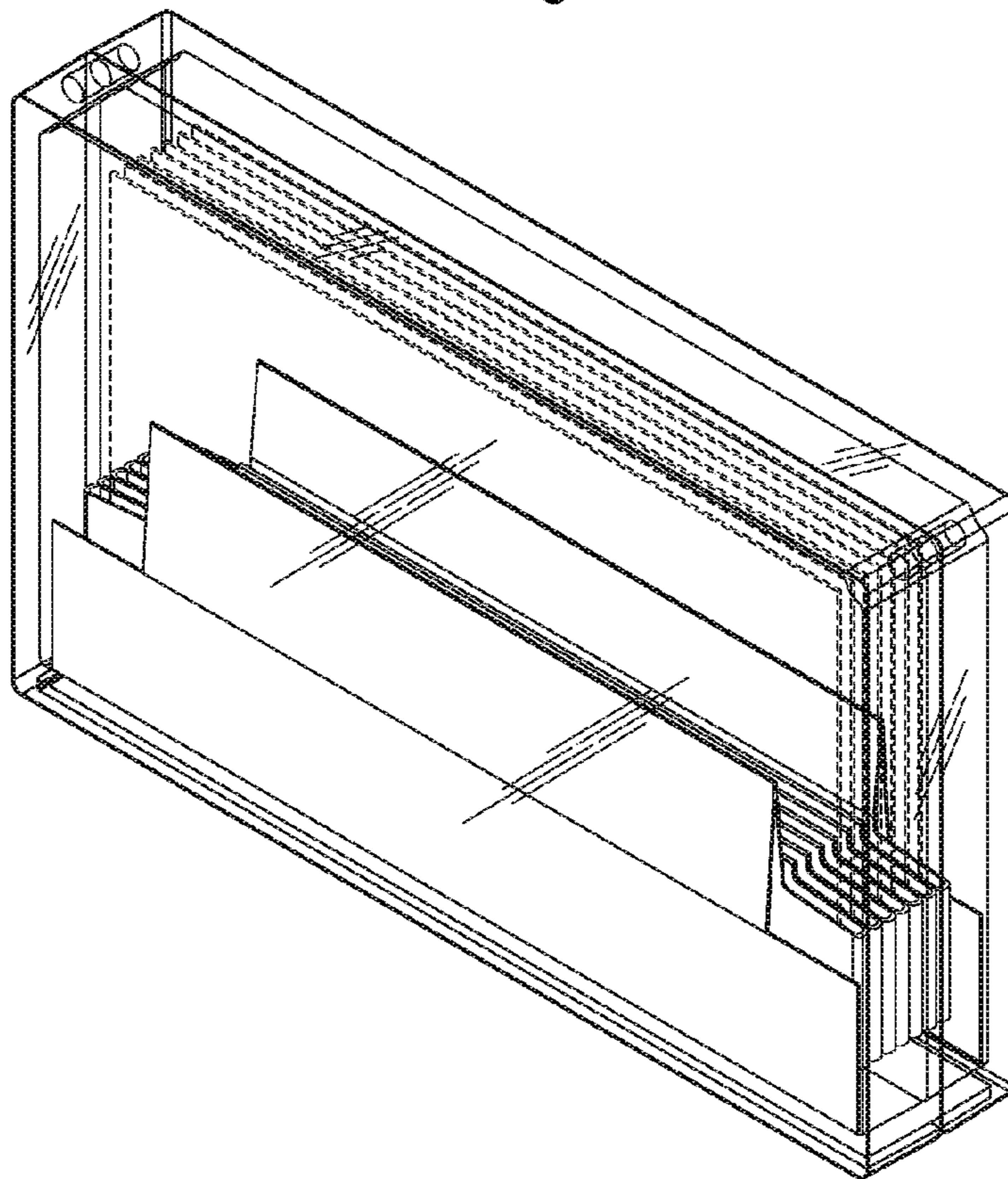


FIG. 12

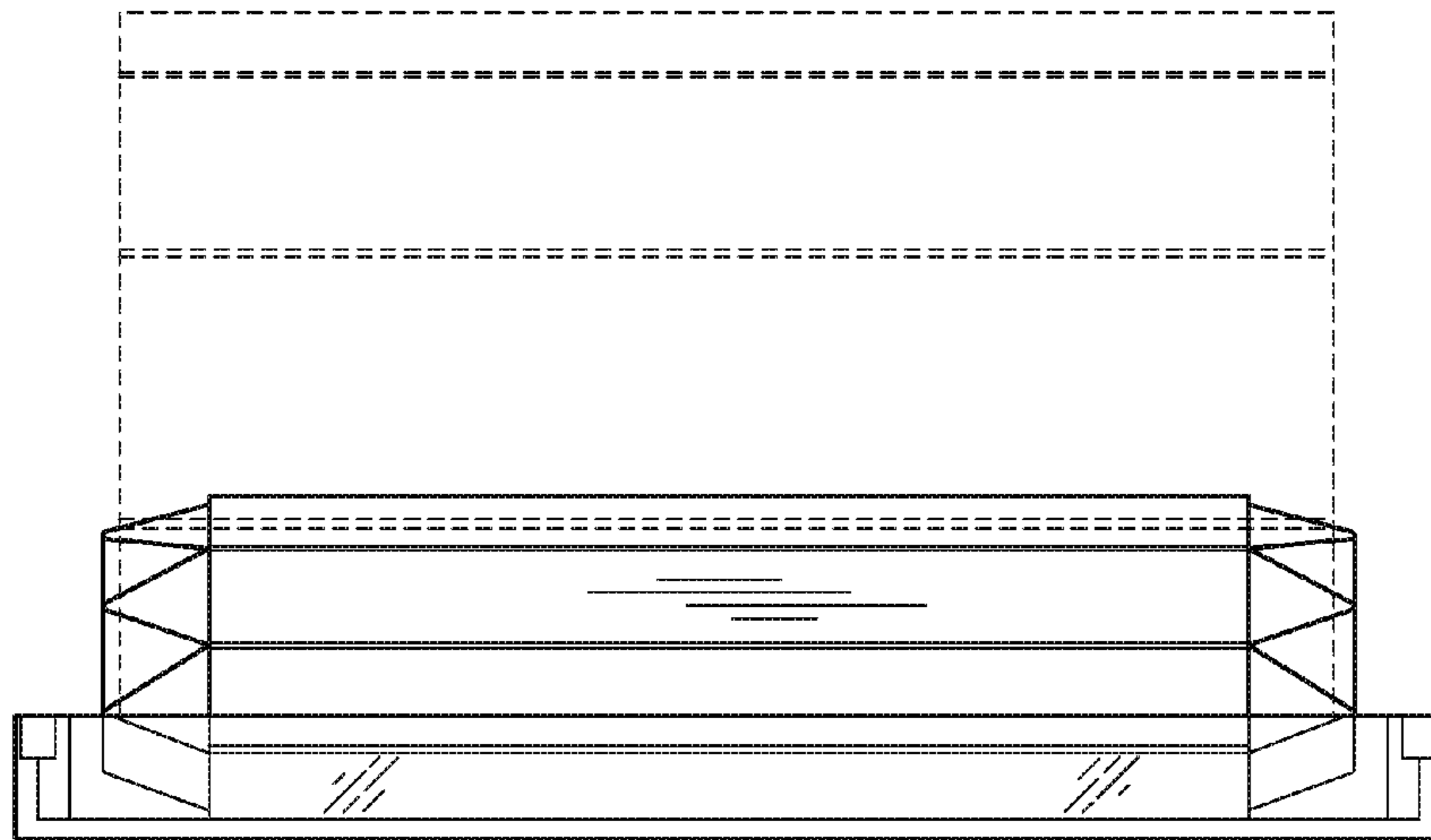


FIG. 13

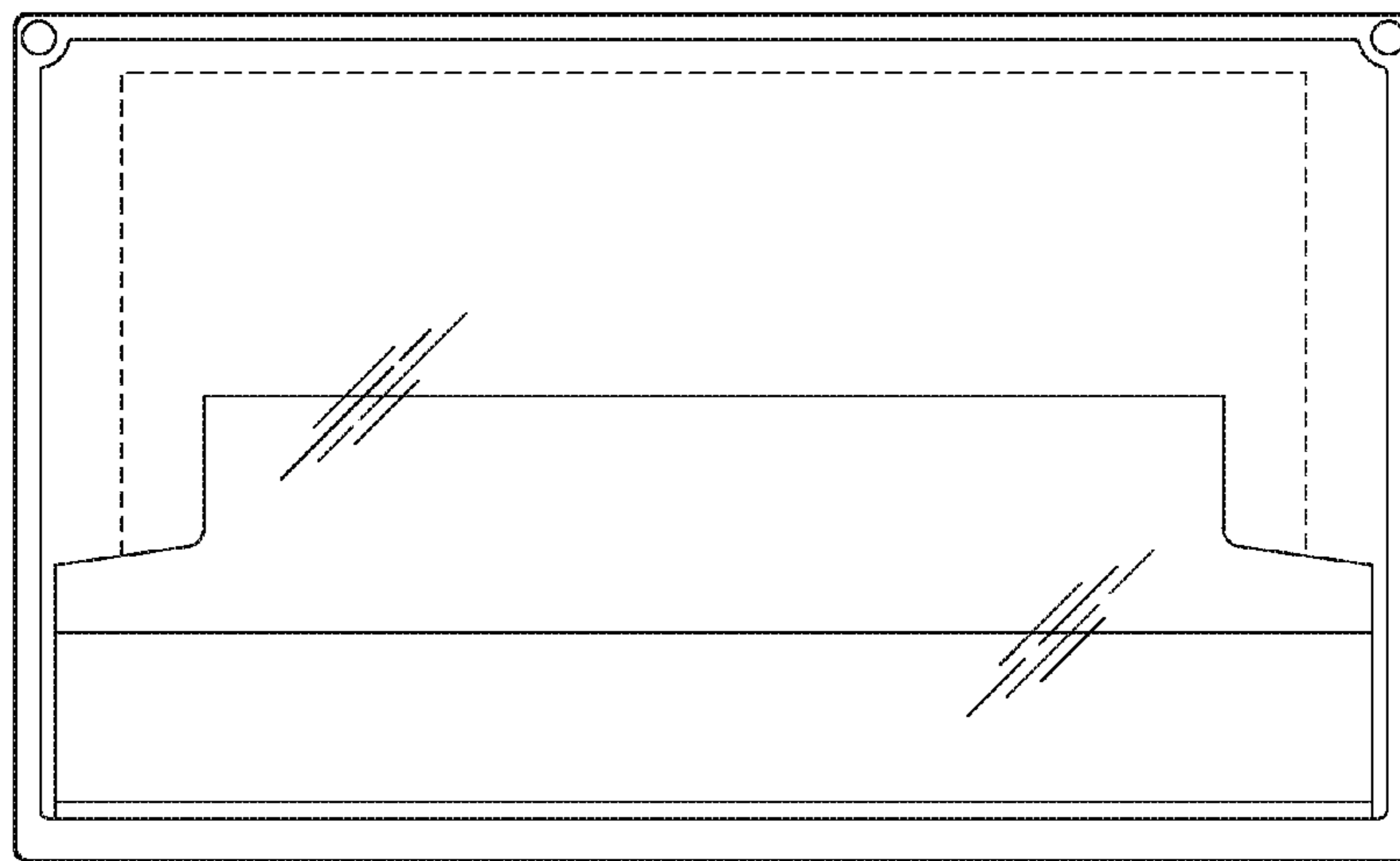


FIG. 14

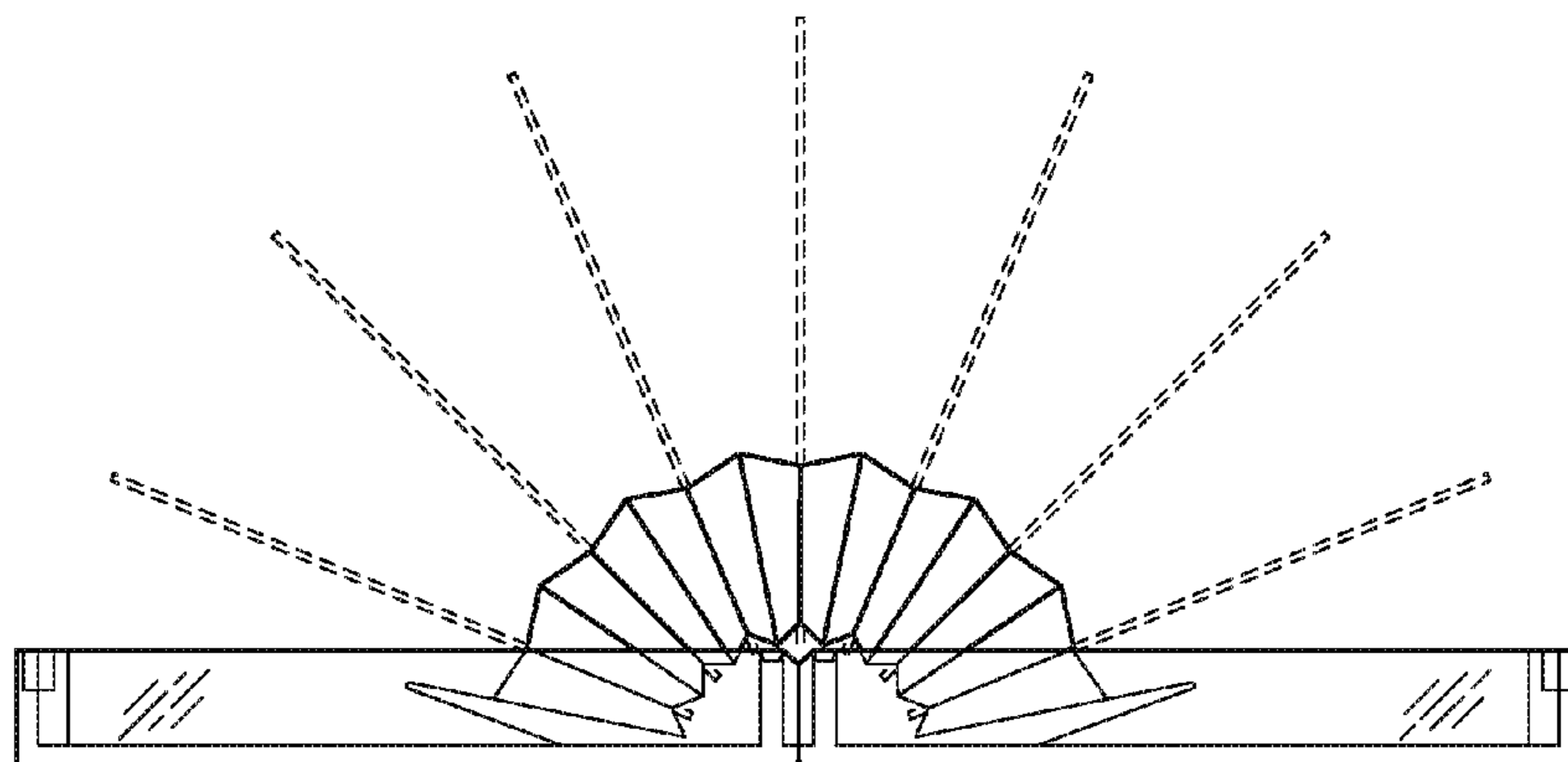


FIG. 15

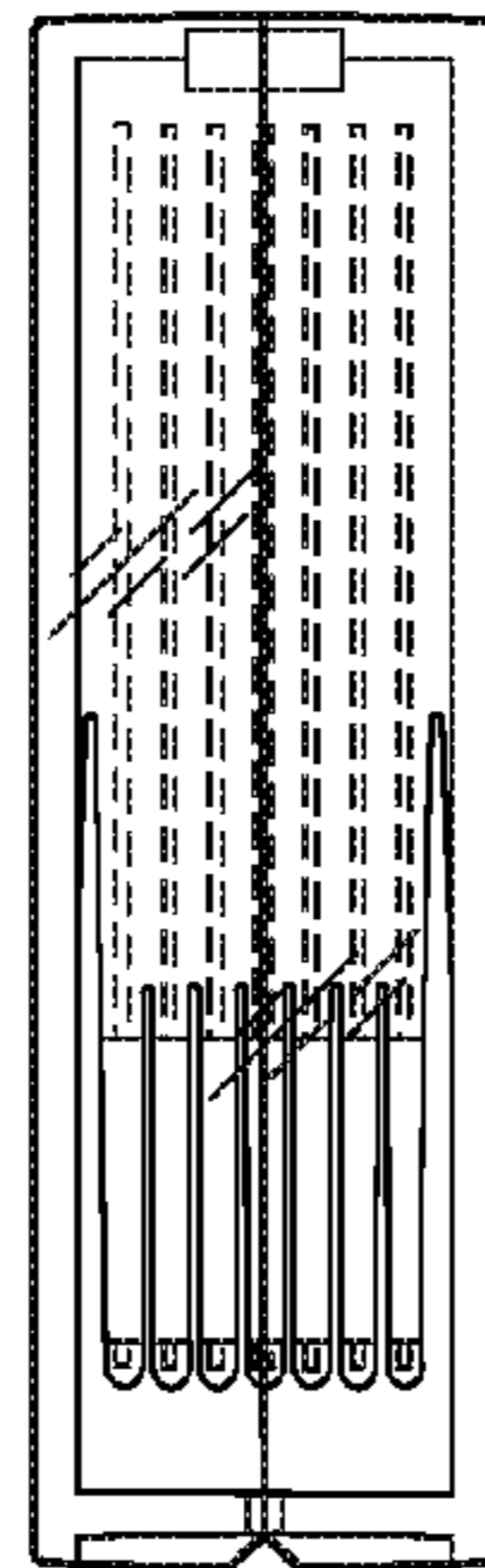


FIG. 16

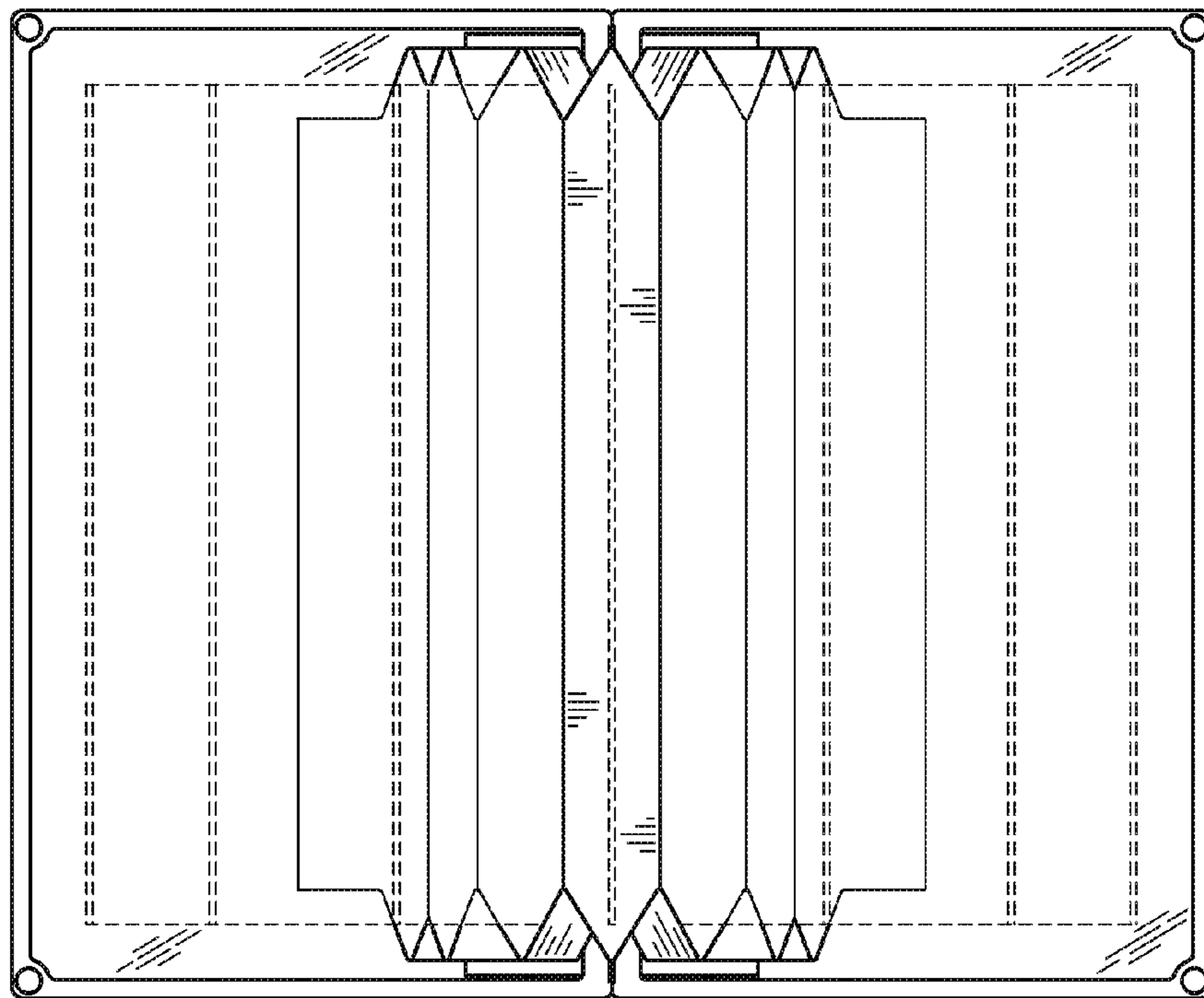


FIG. 17

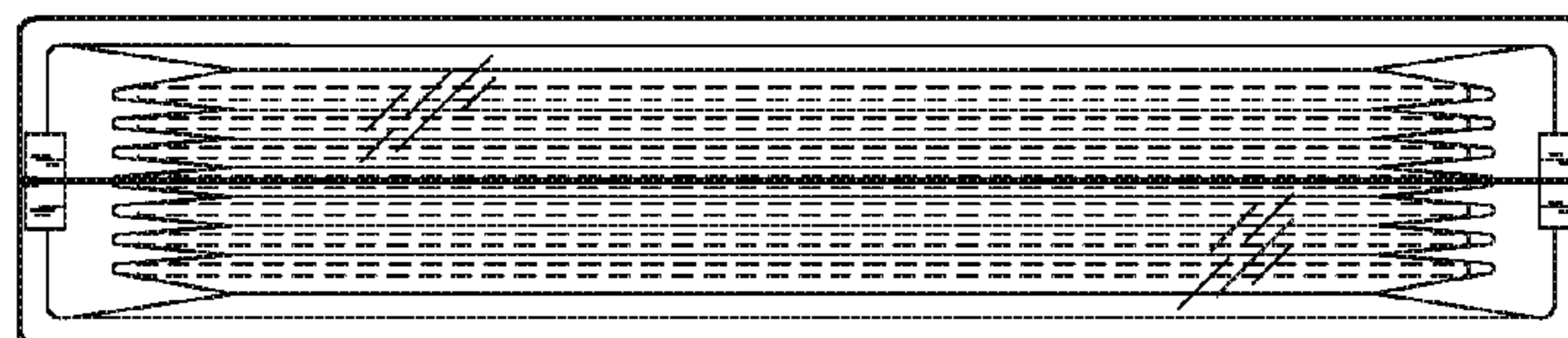


FIG. 18

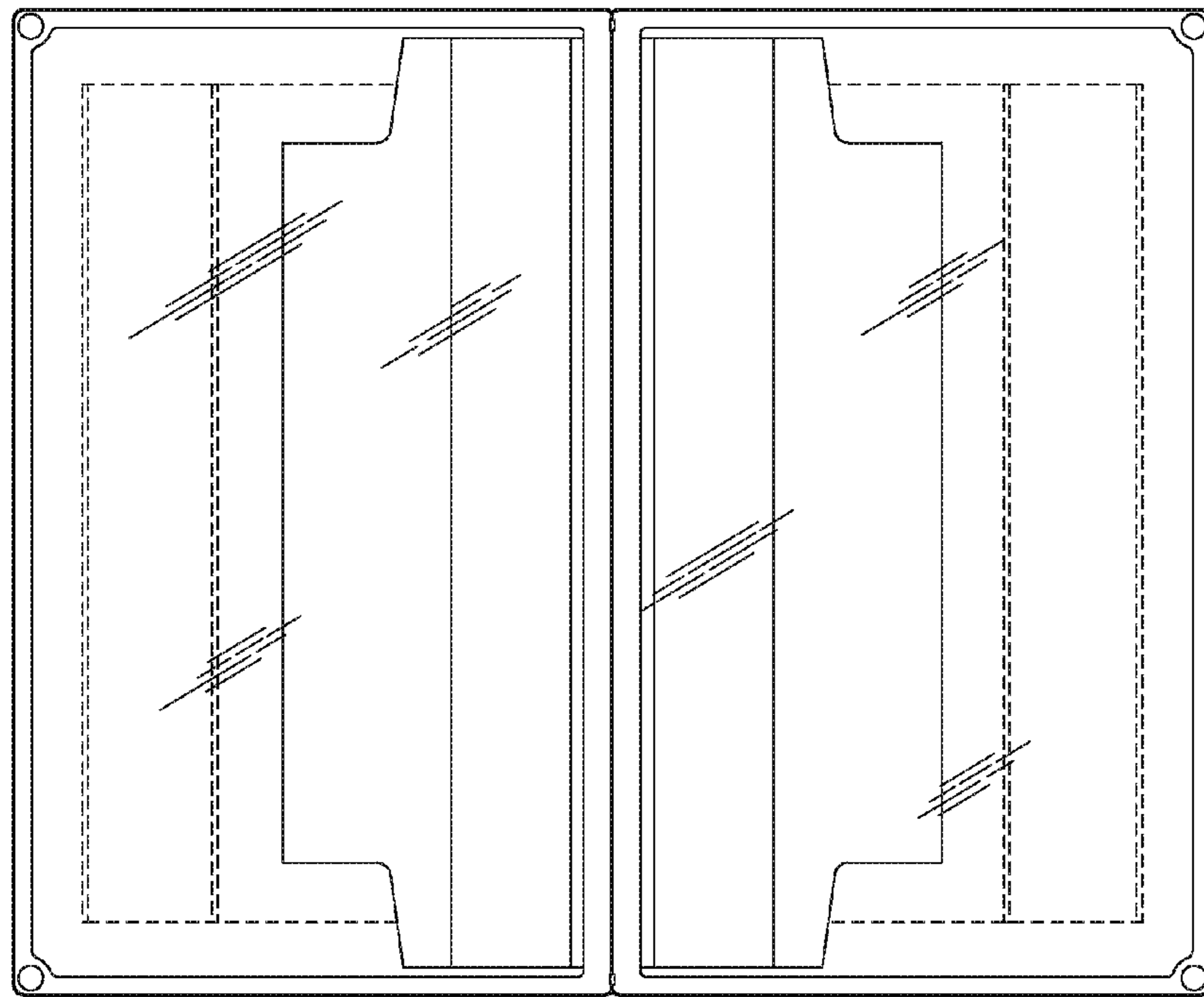


FIG. 19

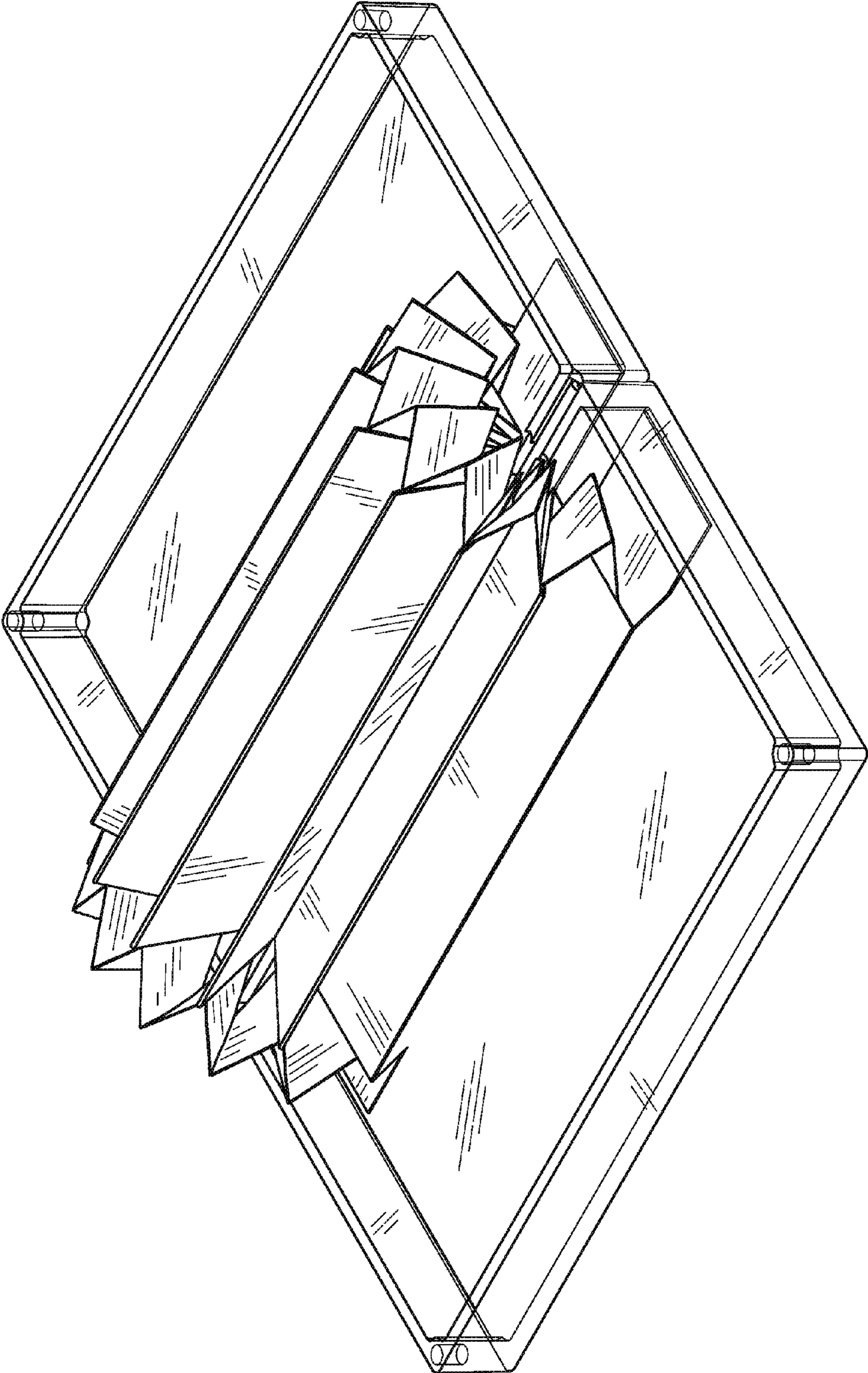


FIG. 20

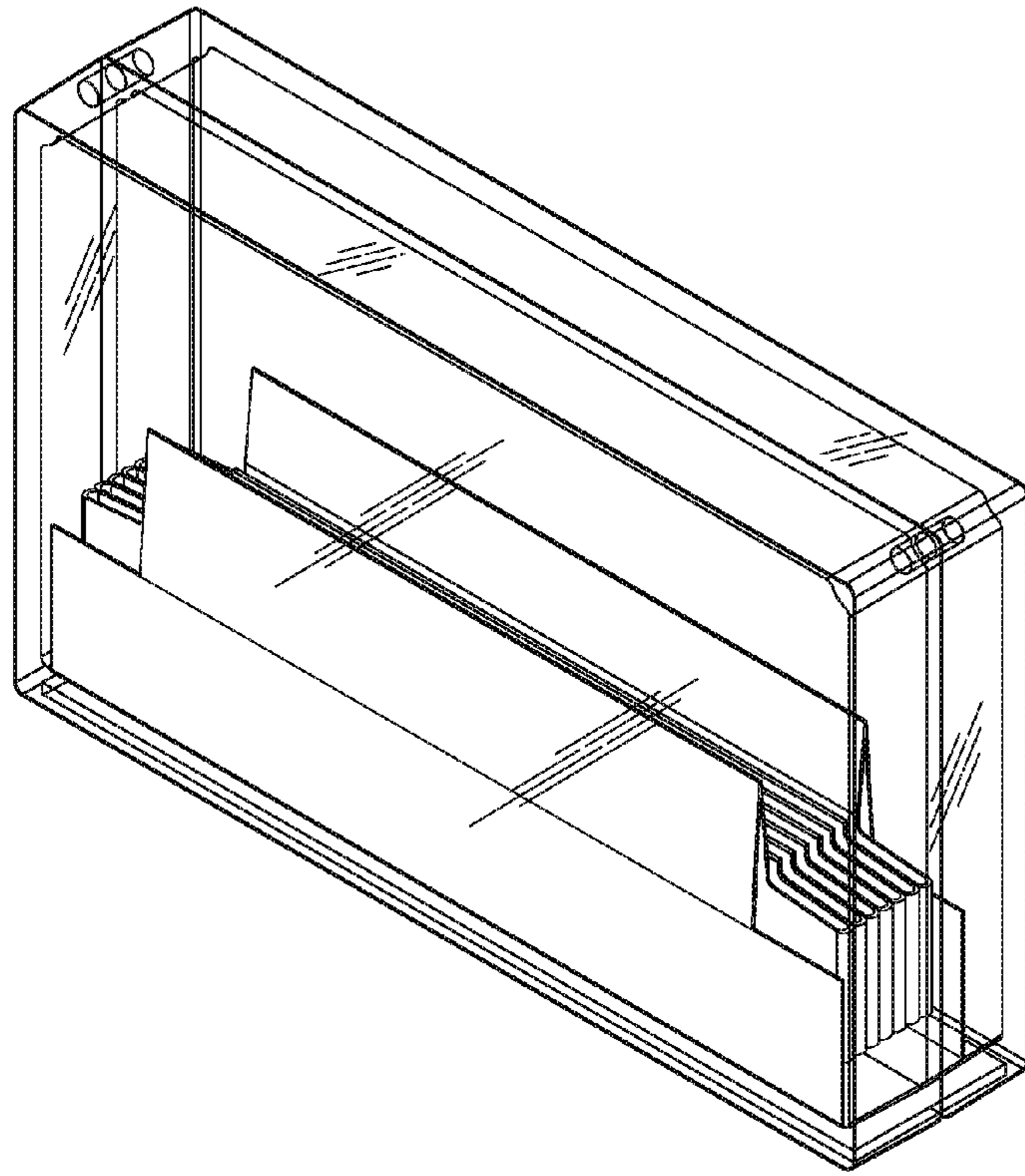


FIG. 21

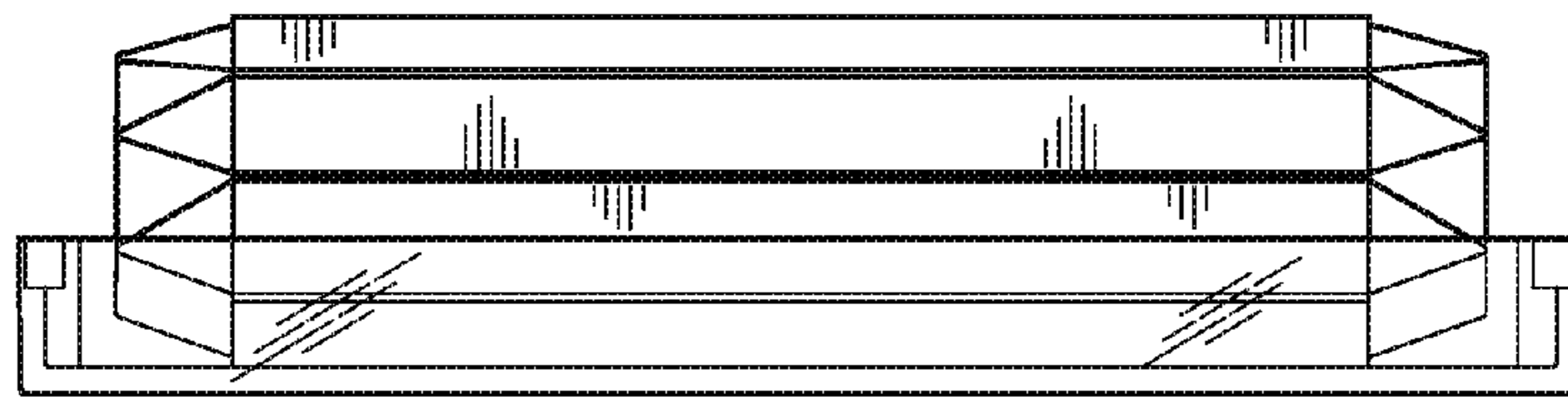


FIG. 22

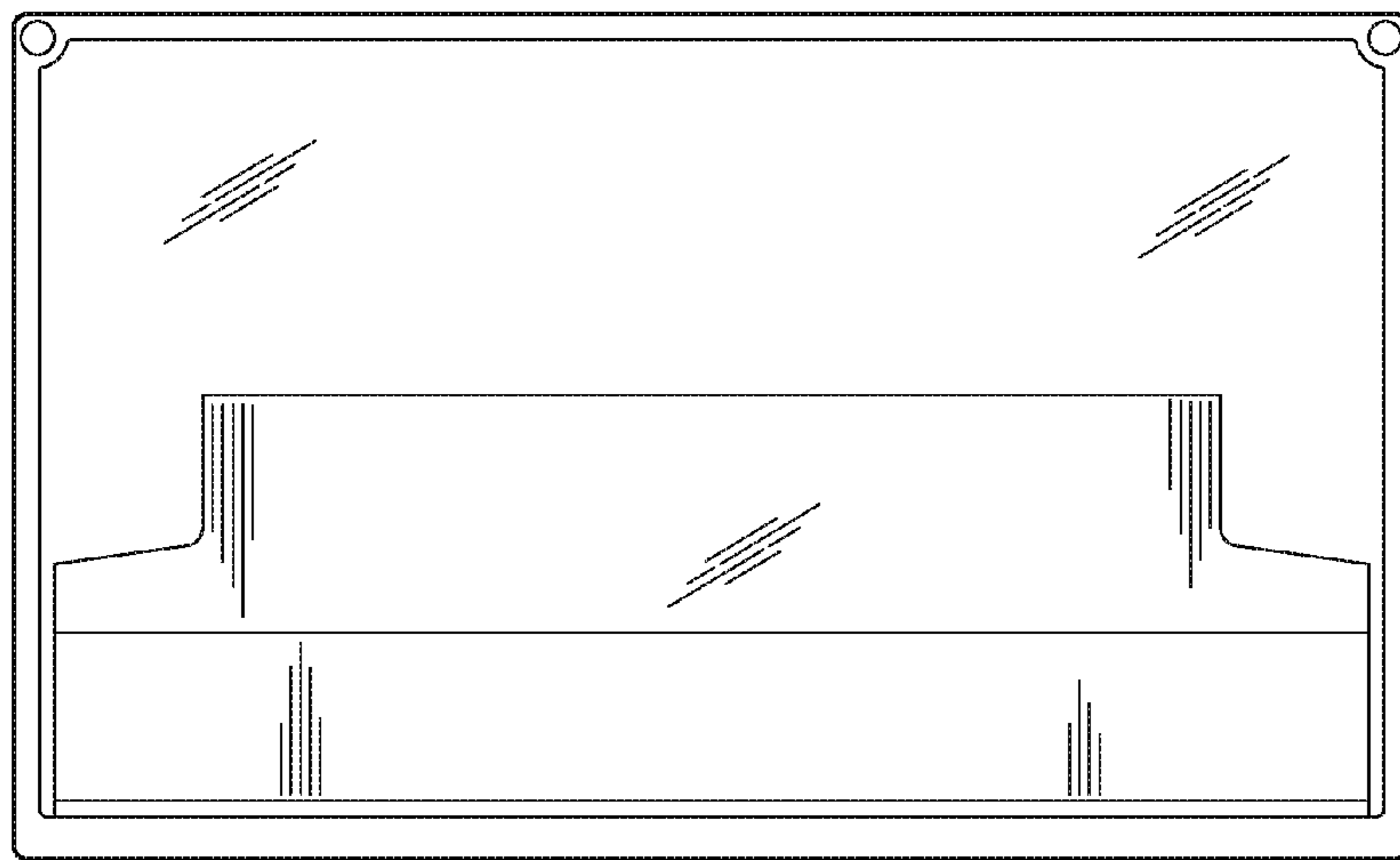


FIG. 23

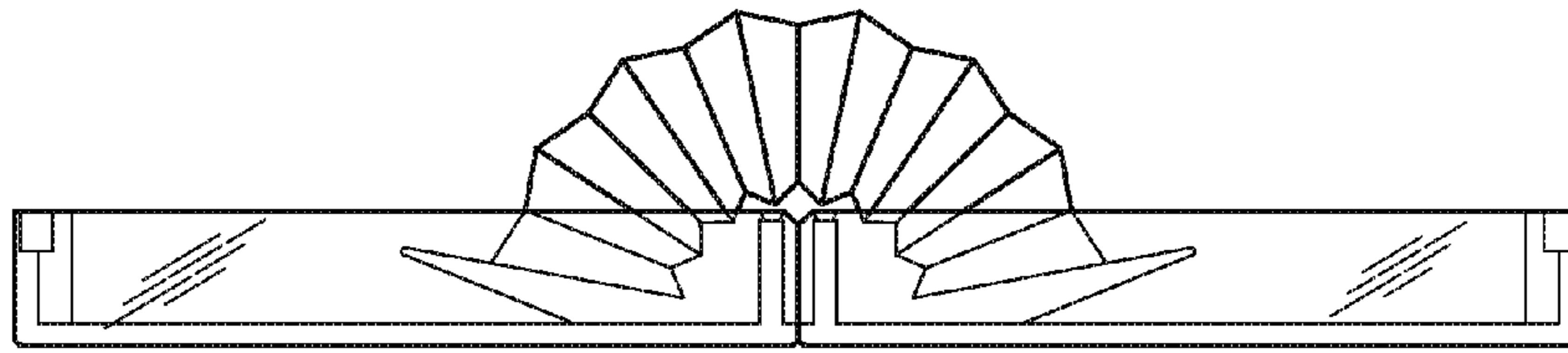


FIG. 24

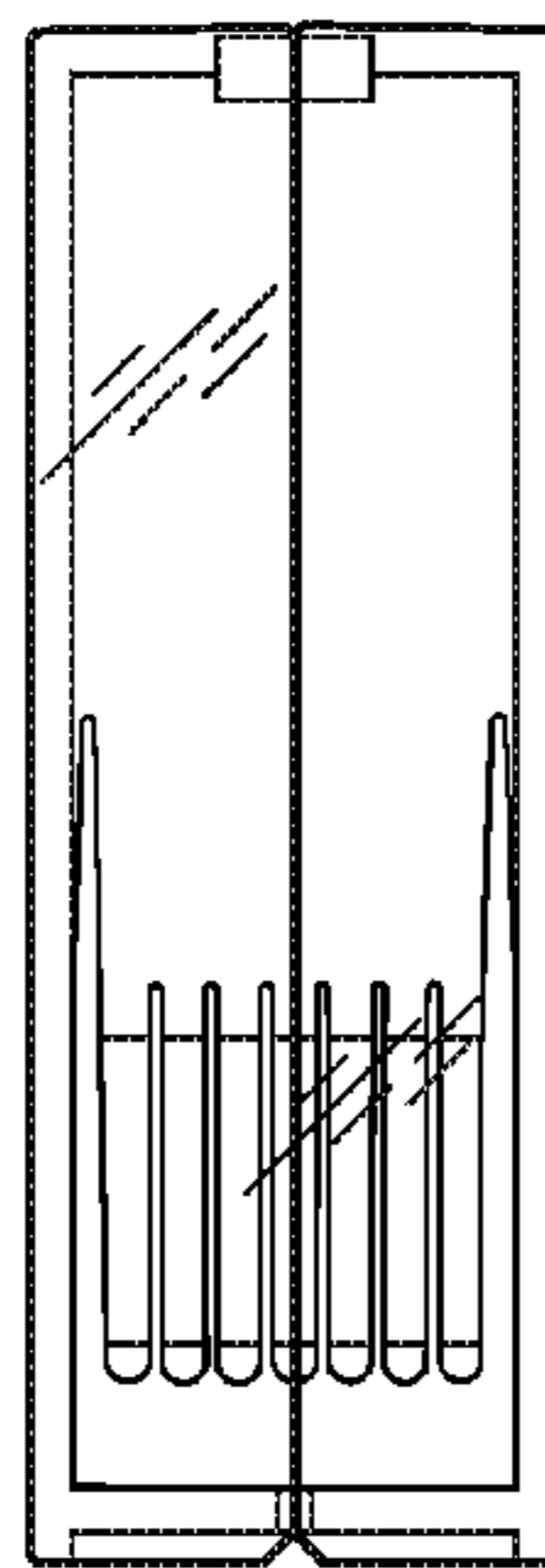


FIG. 25

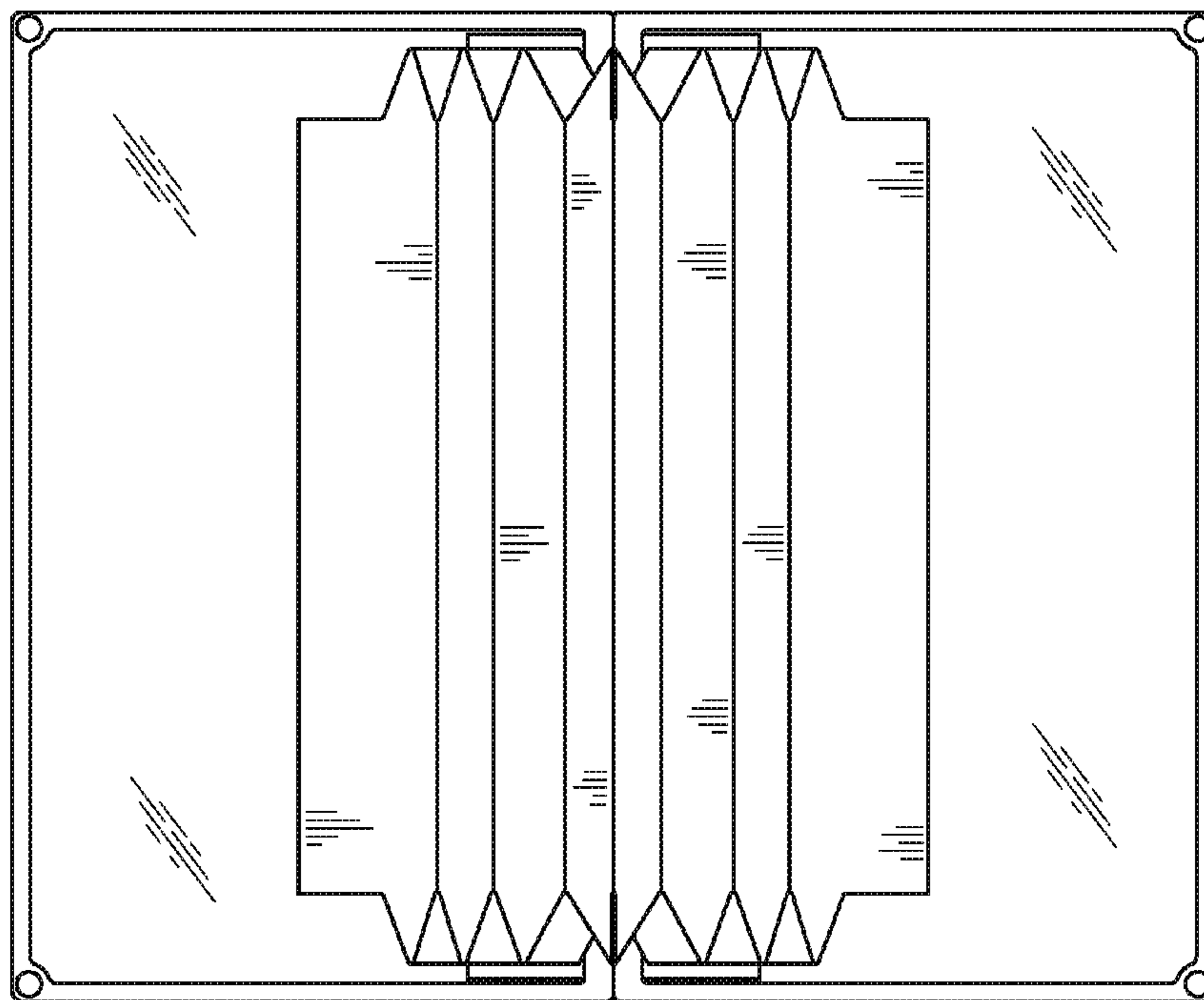


FIG. 26

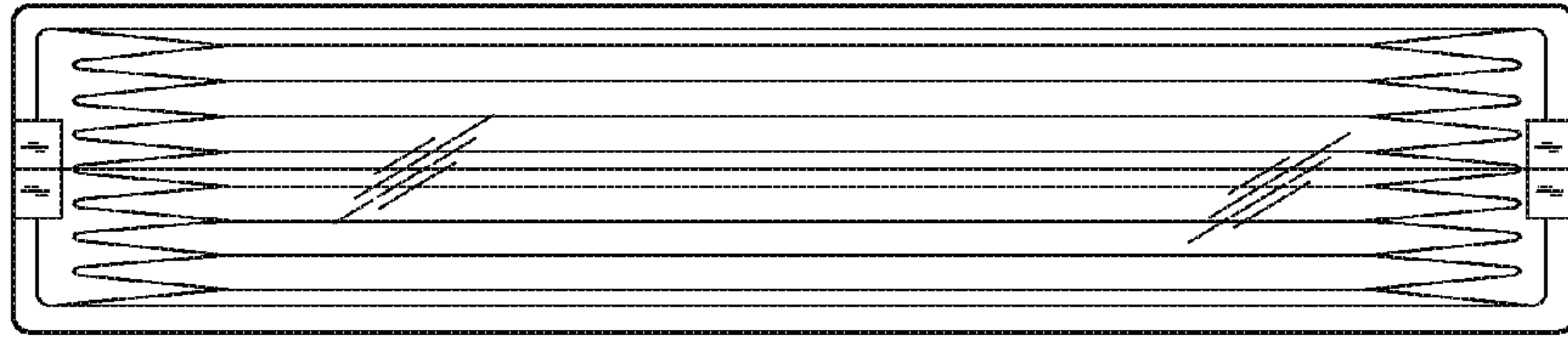


FIG. 27

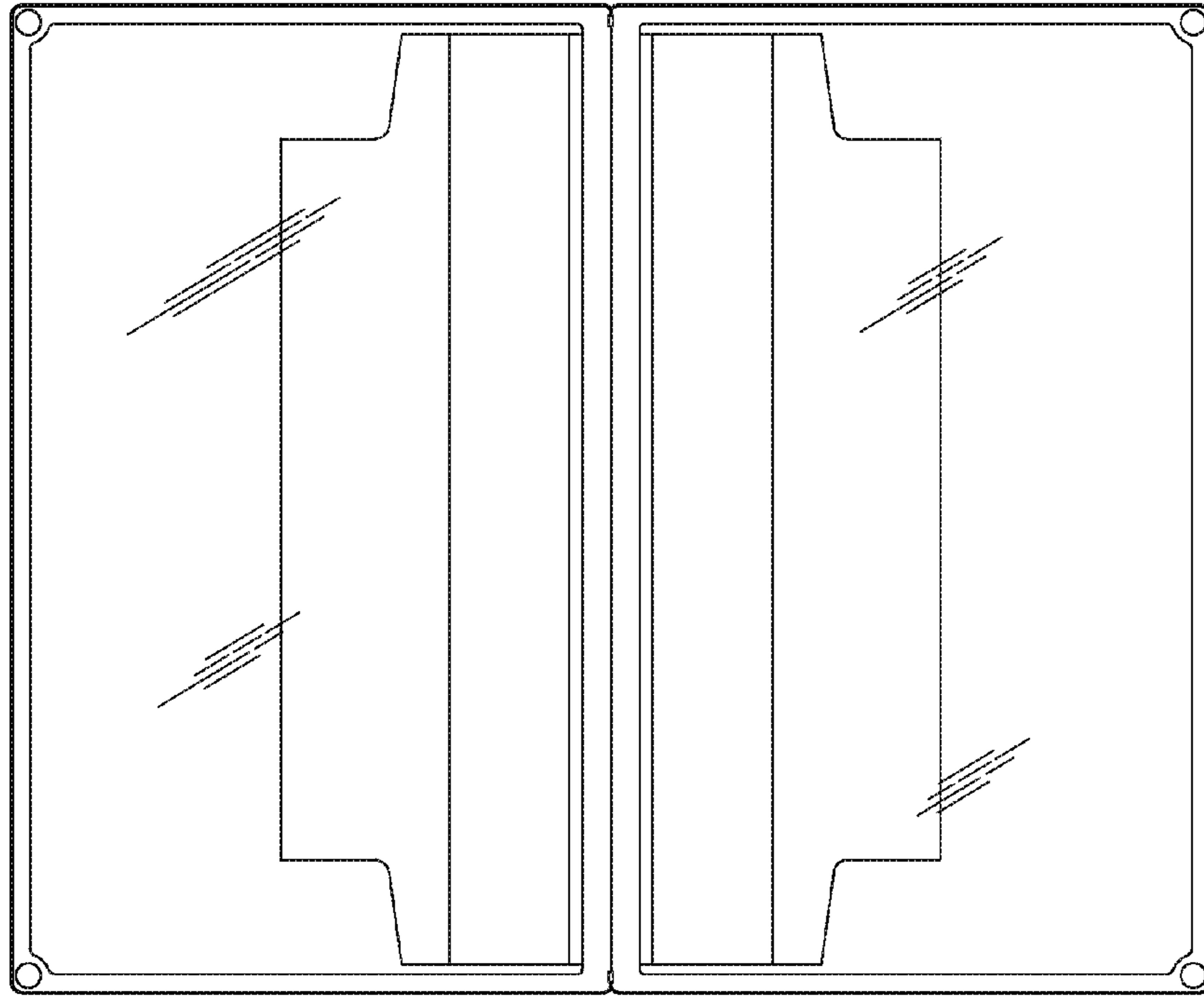


FIG. 28

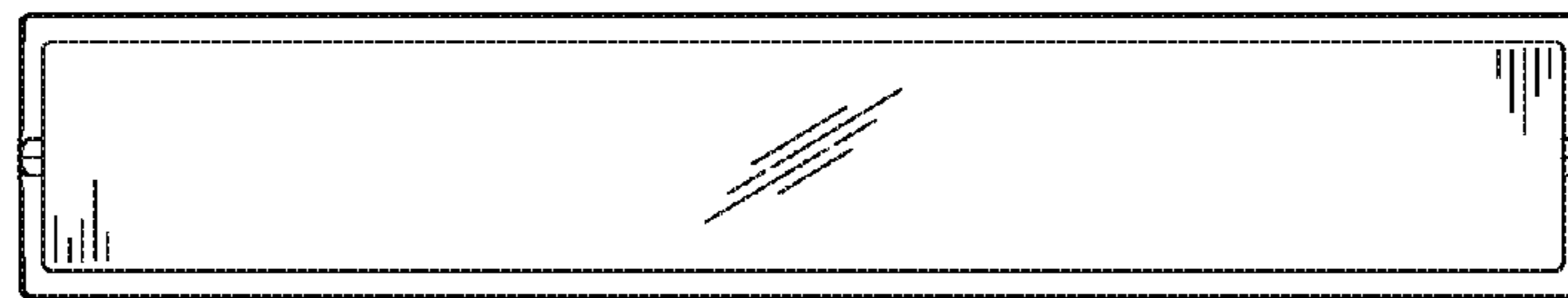


FIG. 29

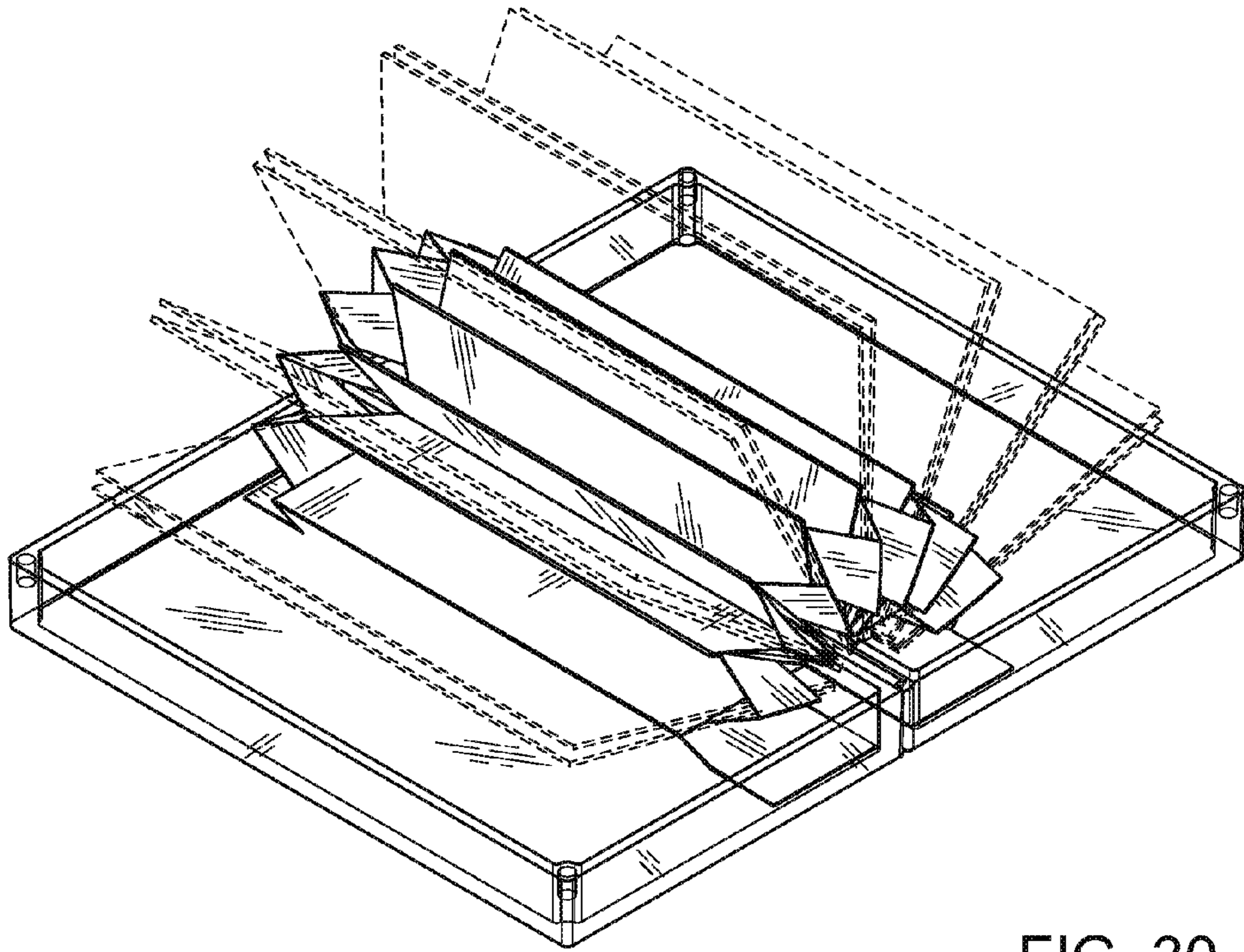


FIG. 30

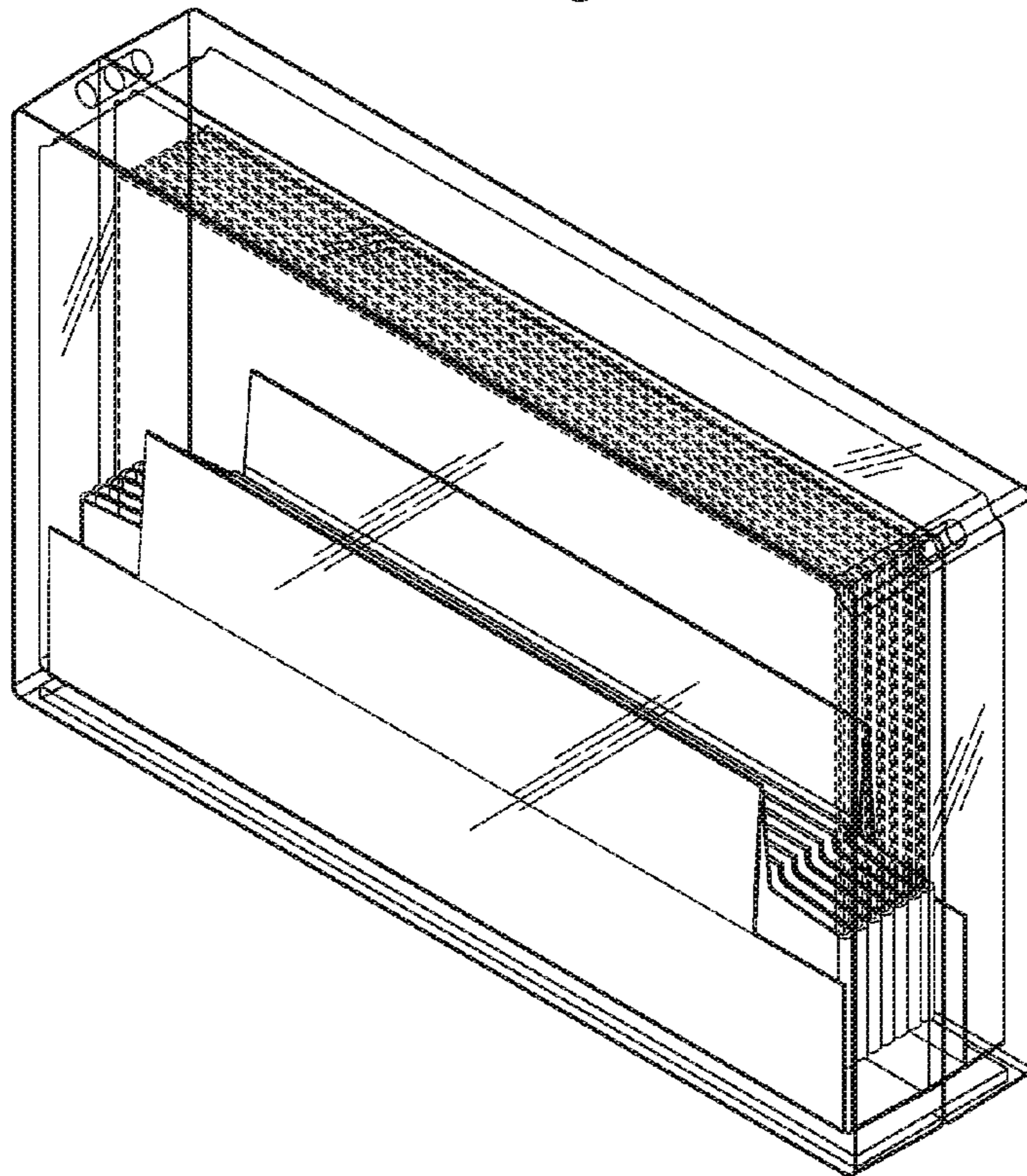


FIG. 31

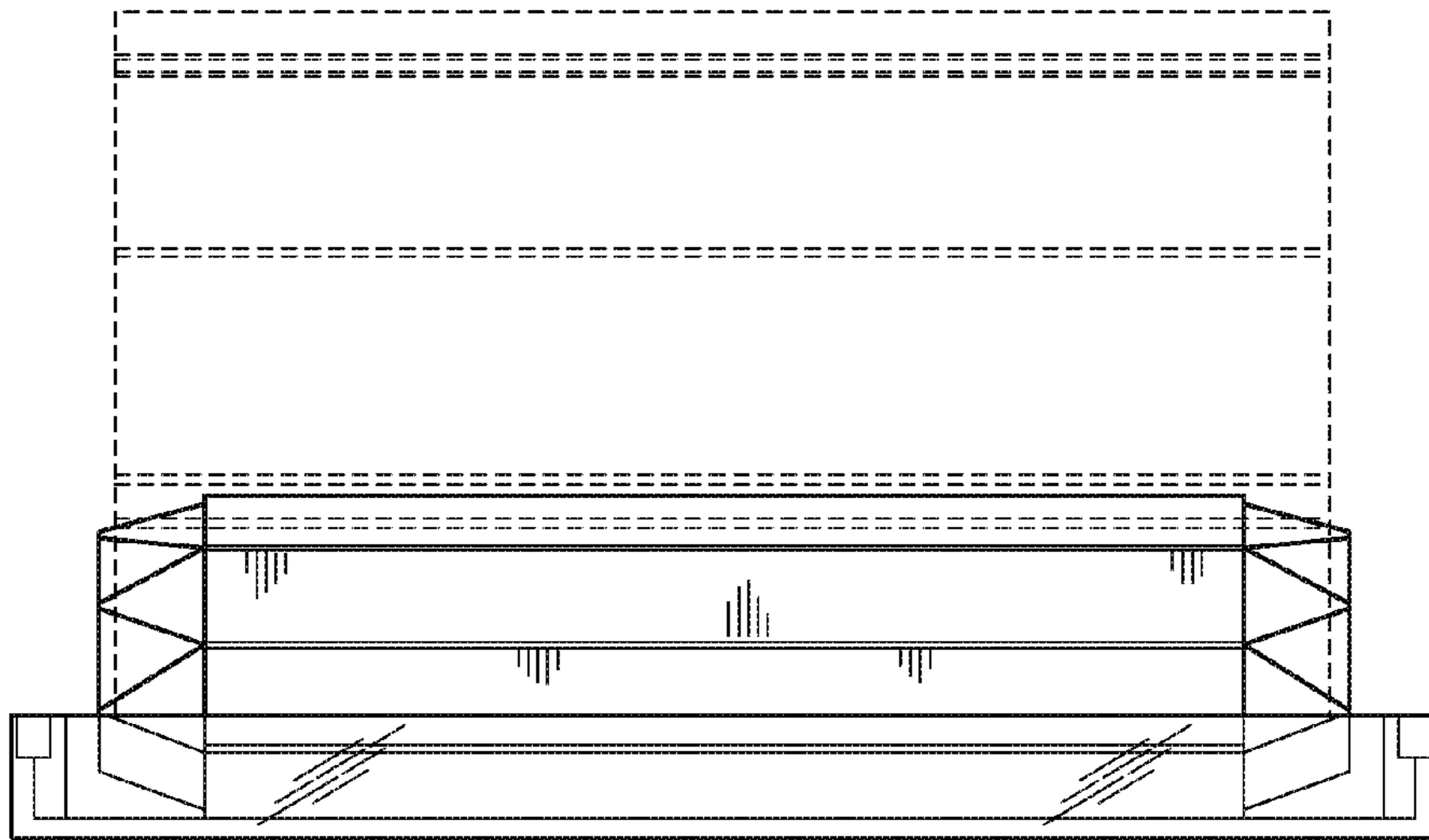


FIG. 32

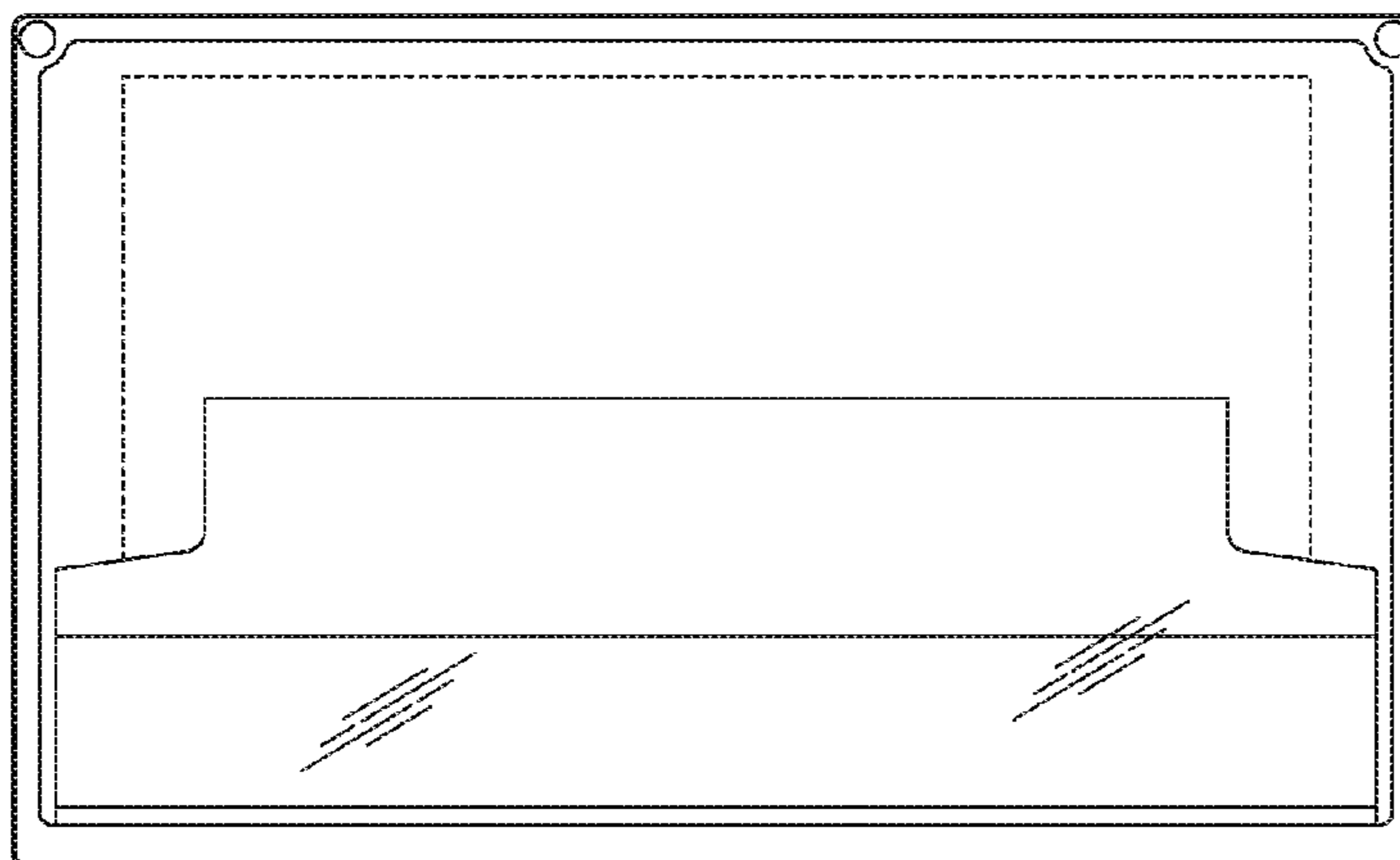


FIG. 33

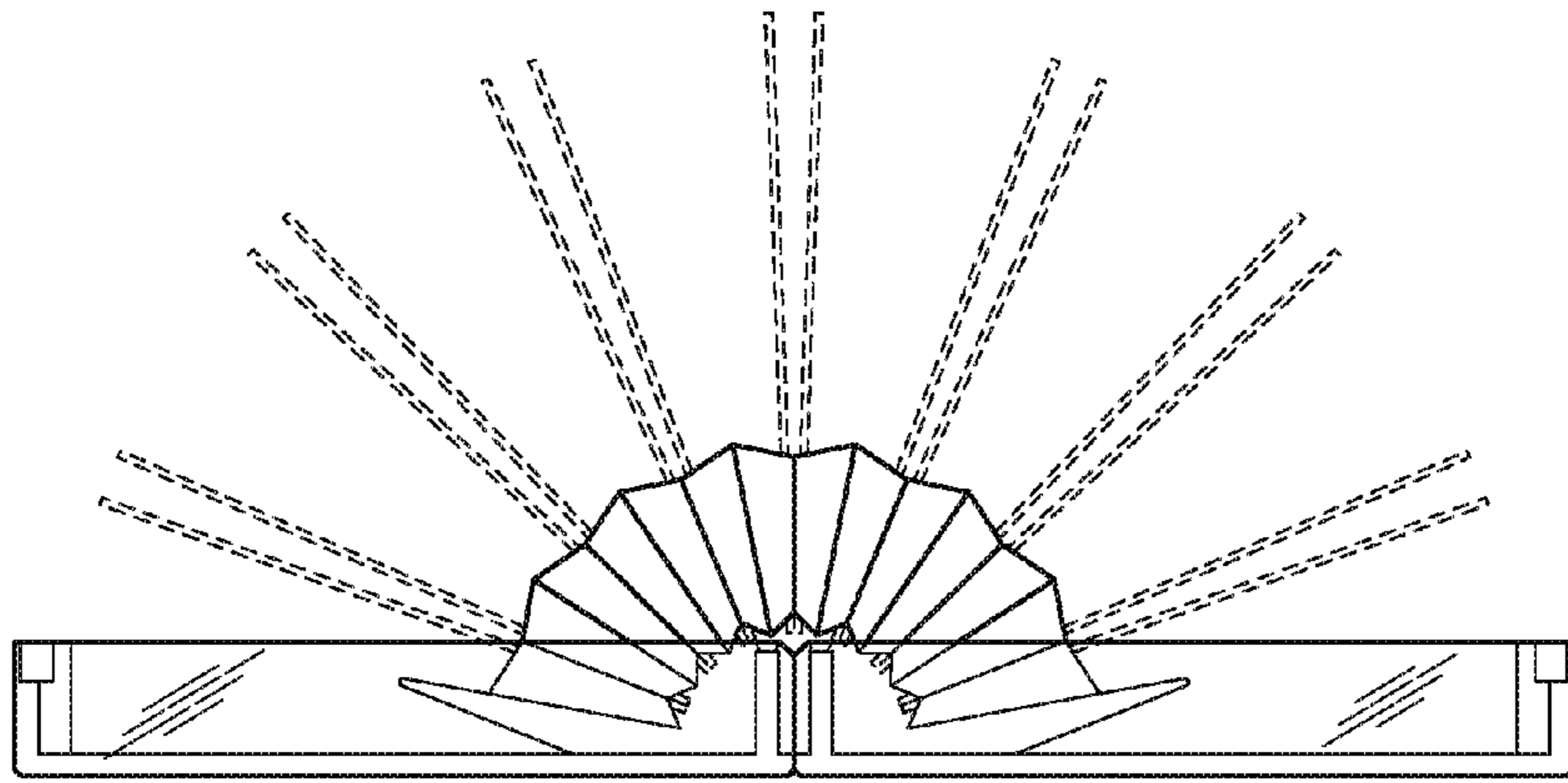


FIG. 34

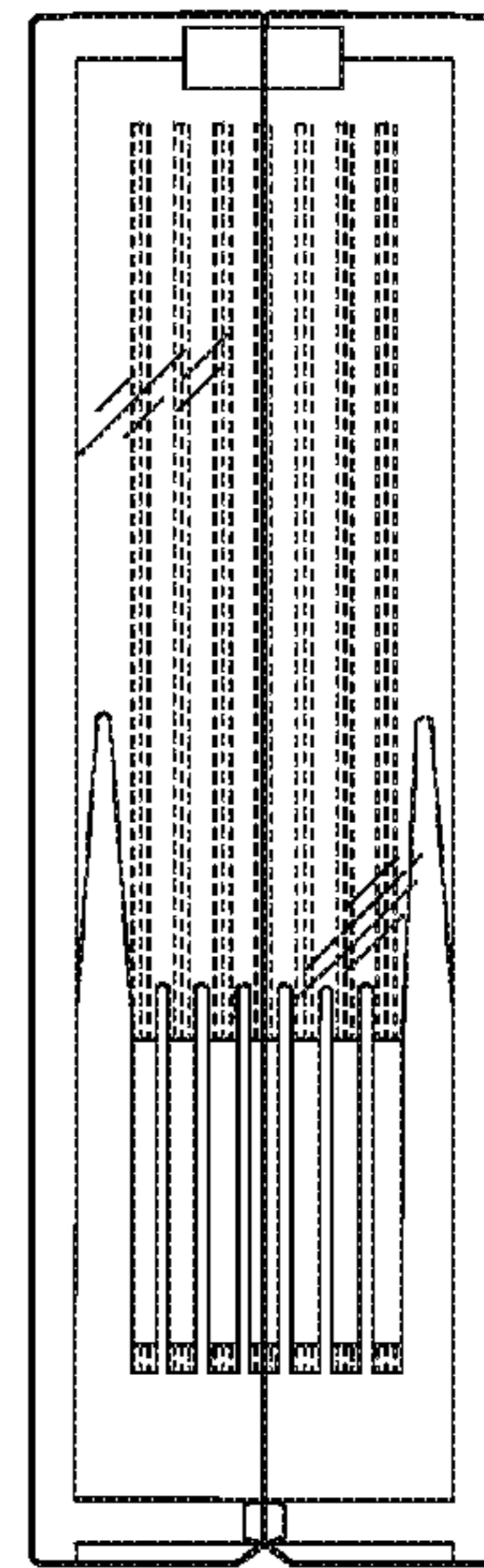


FIG. 35

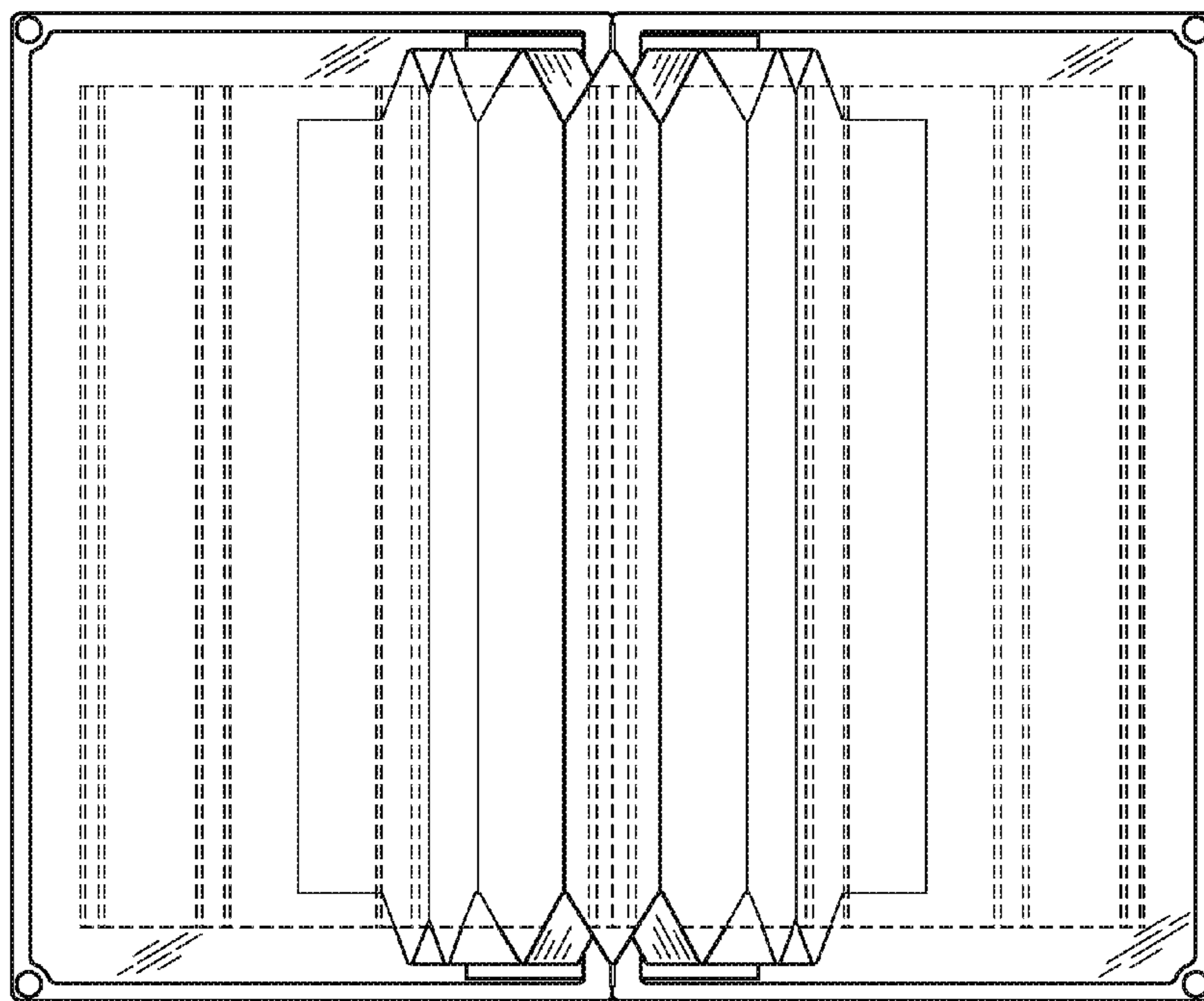


FIG. 36

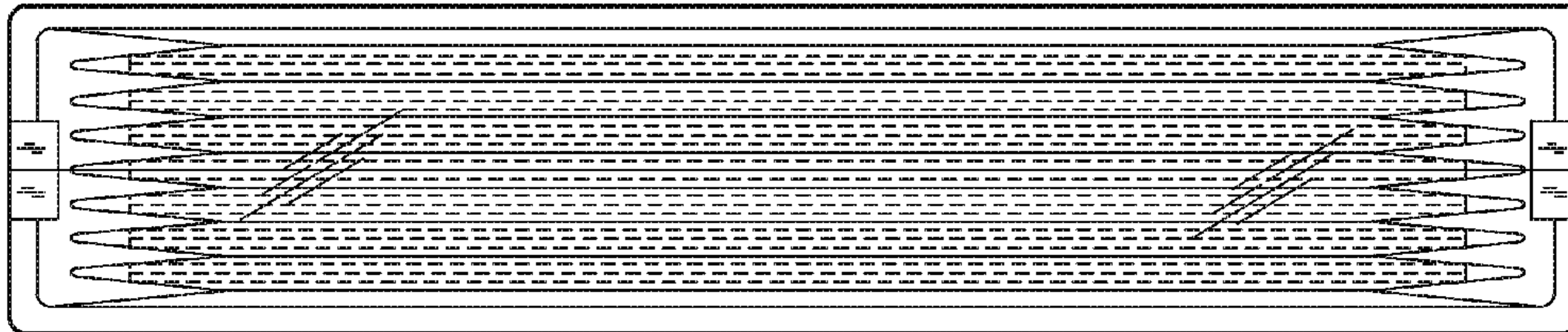


FIG. 37

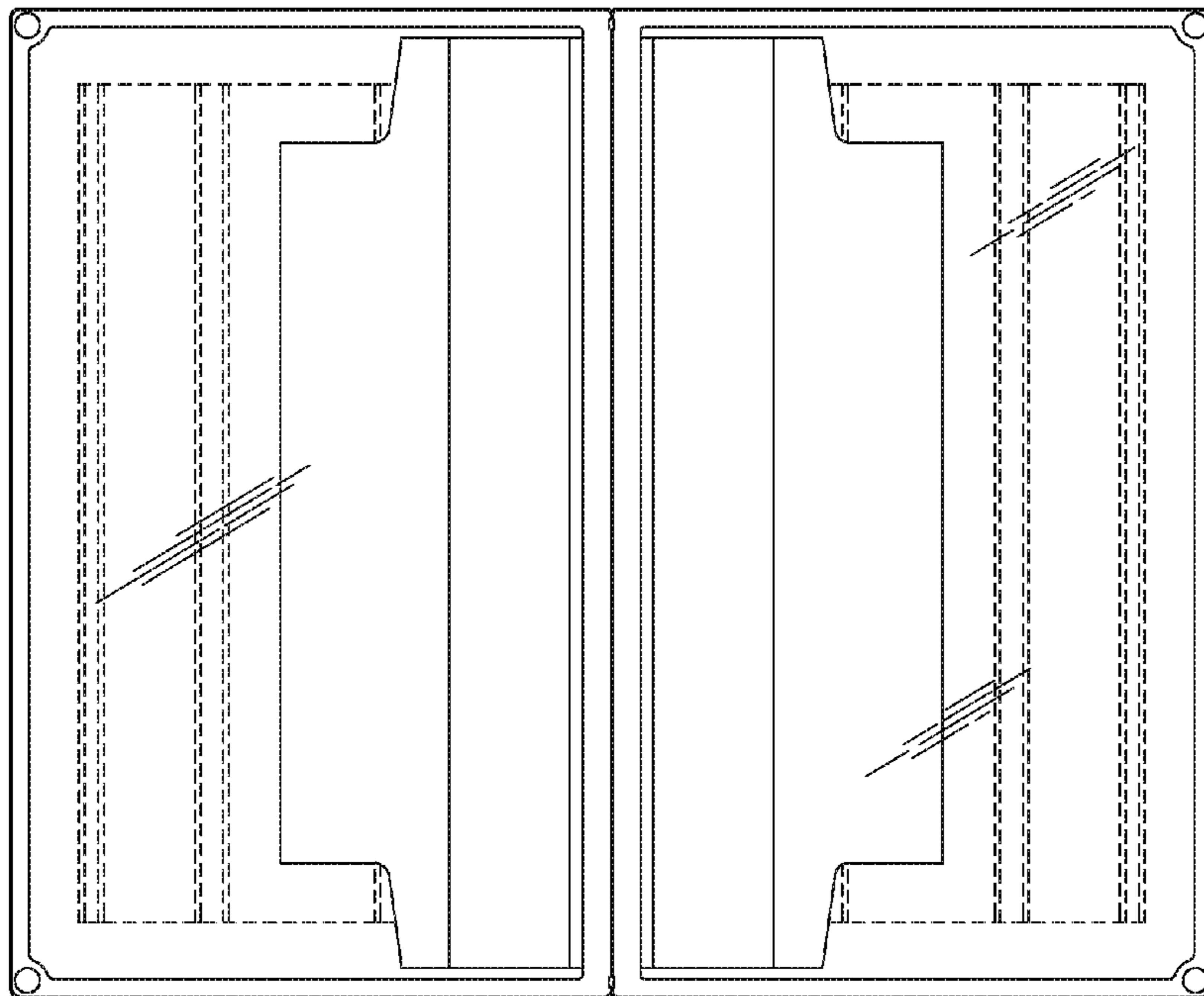


FIG. 38

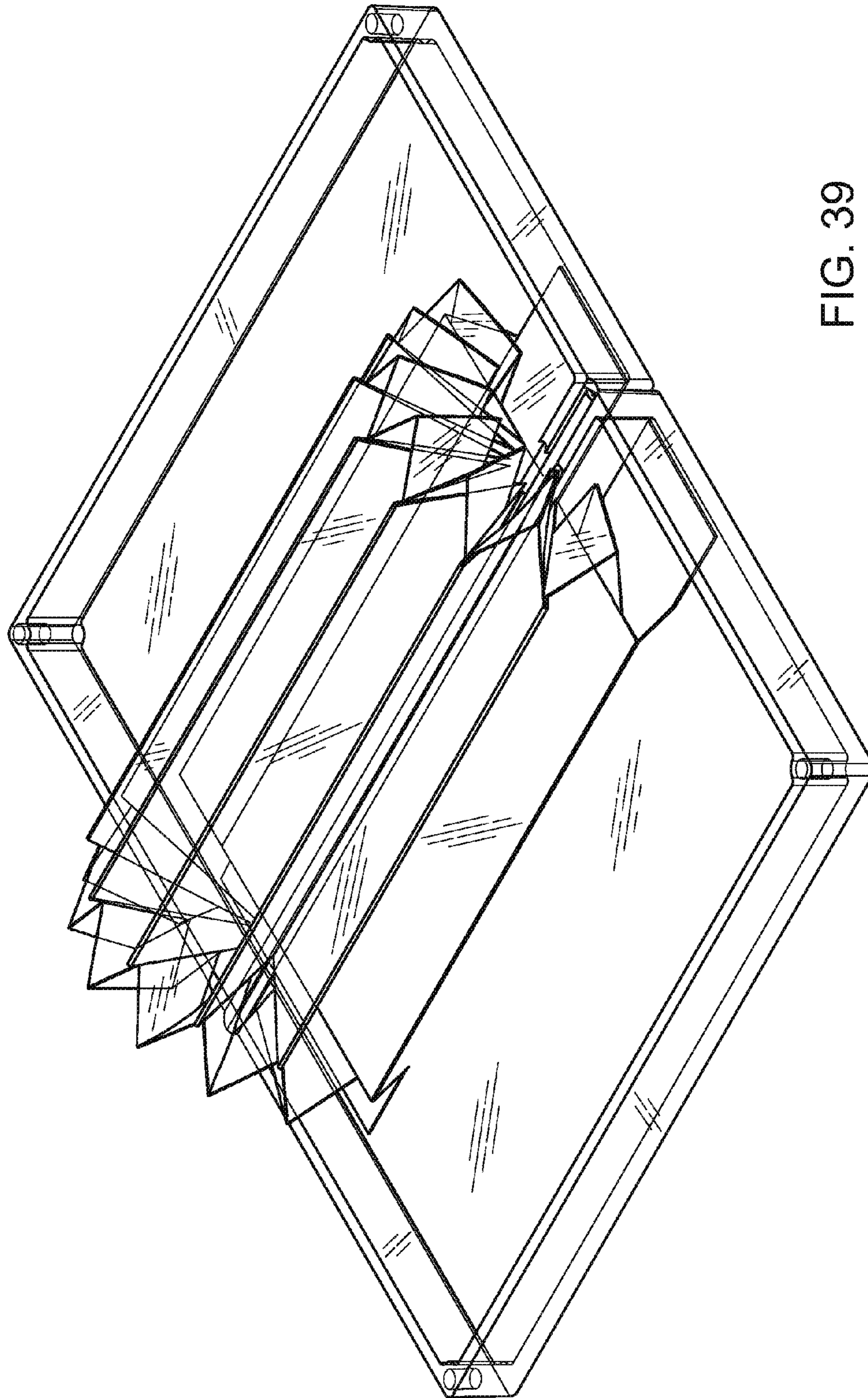


FIG. 39

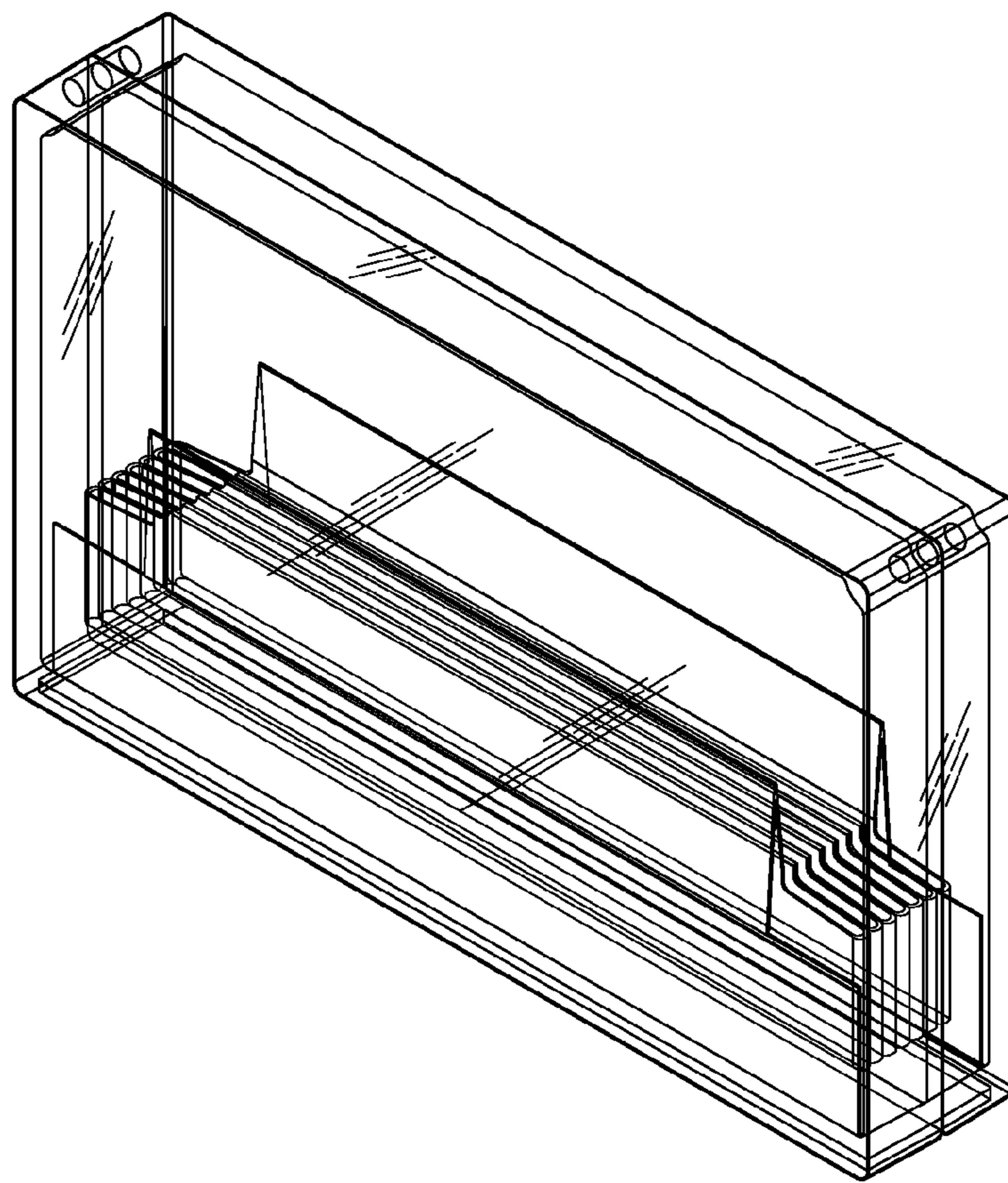


FIG. 40

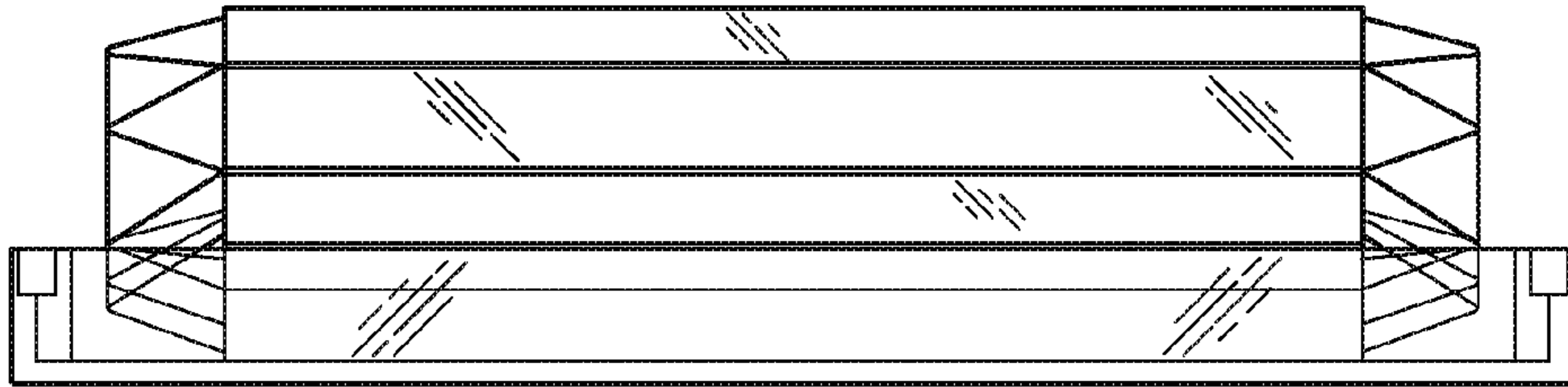


FIG. 41

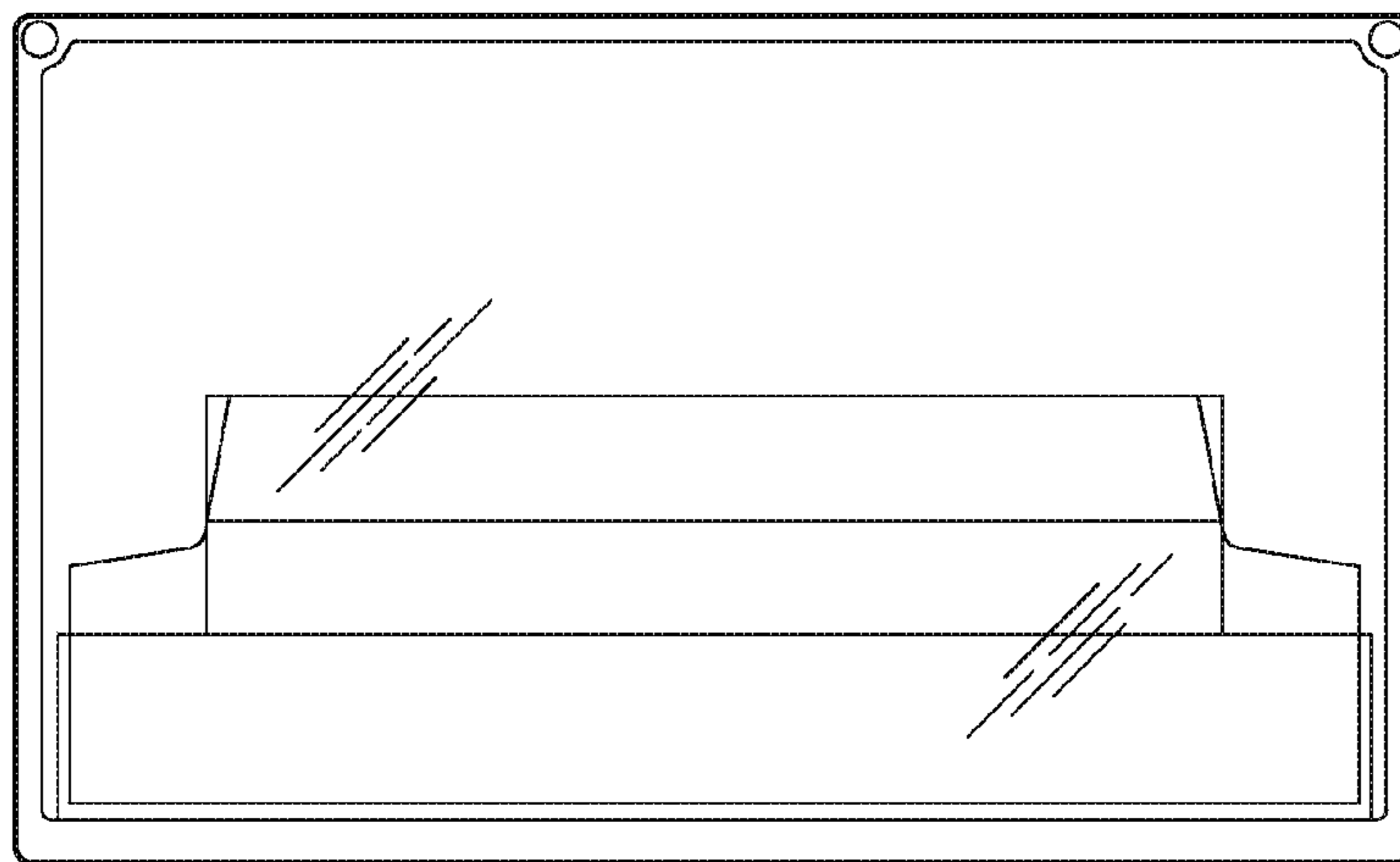


FIG. 42

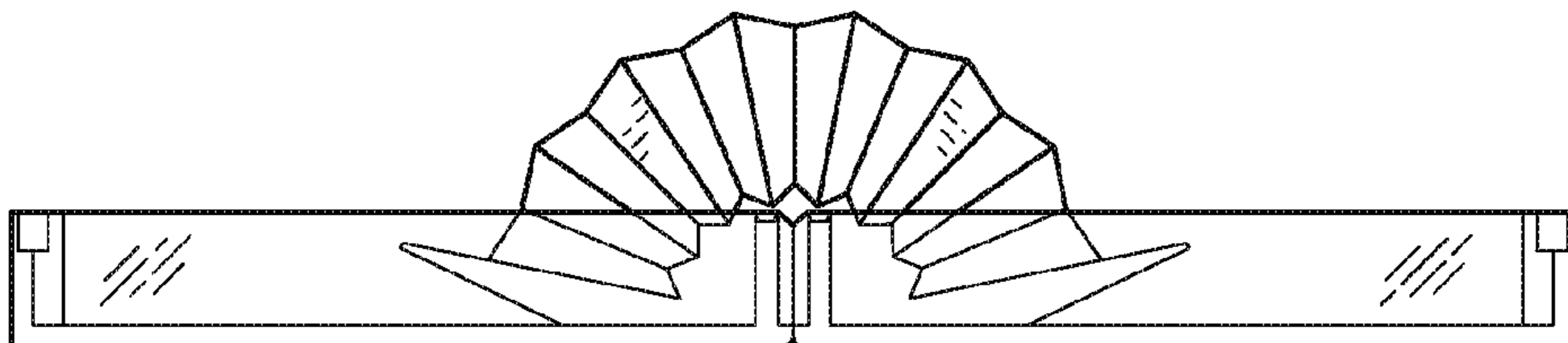


FIG. 43

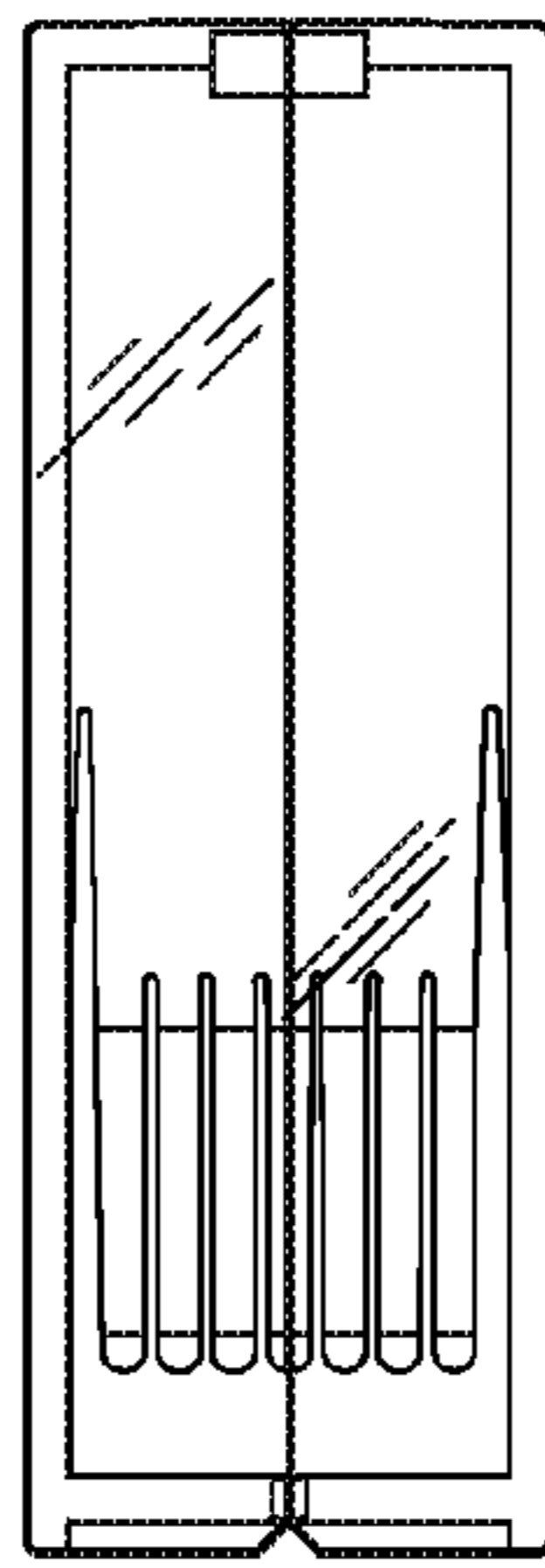


FIG. 44

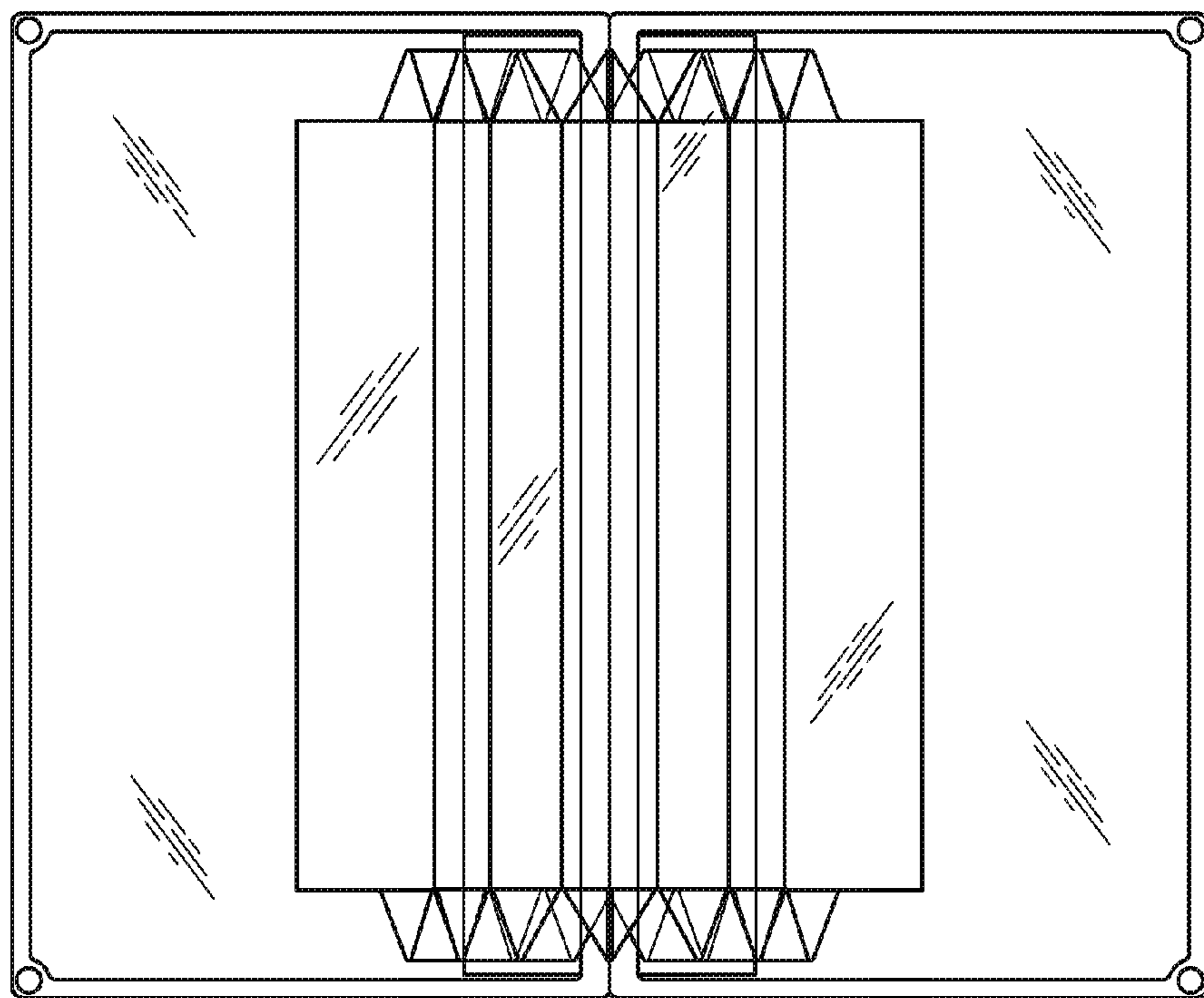


FIG. 45

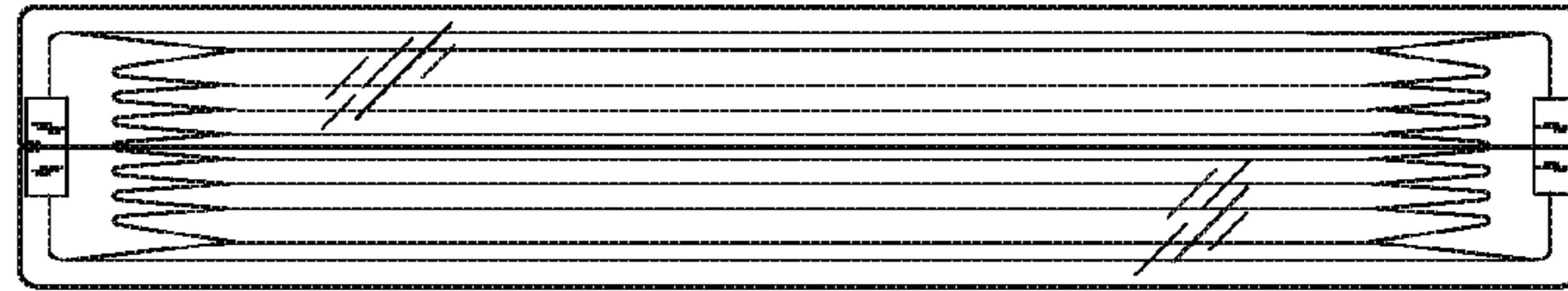


FIG. 46

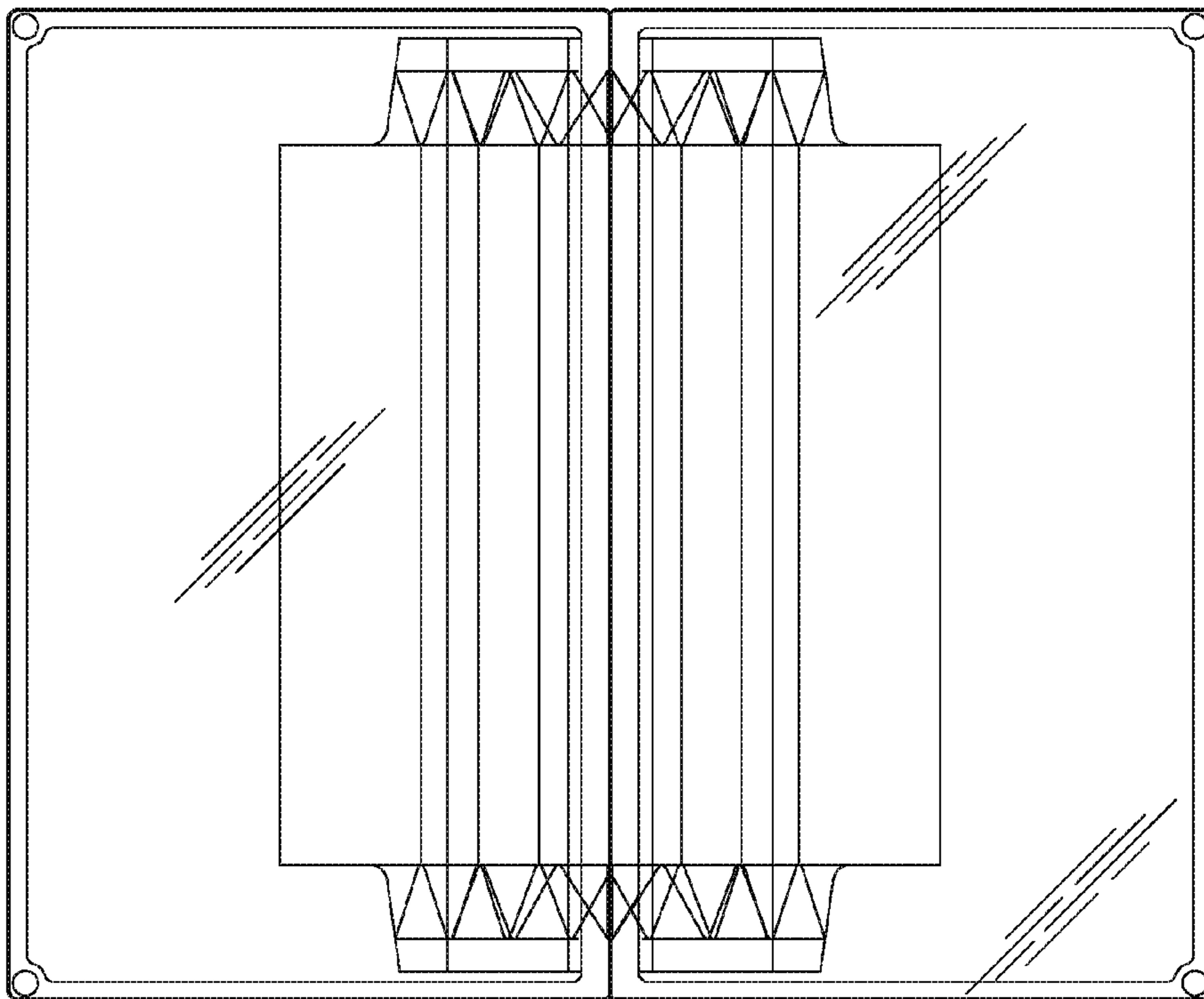


FIG. 47

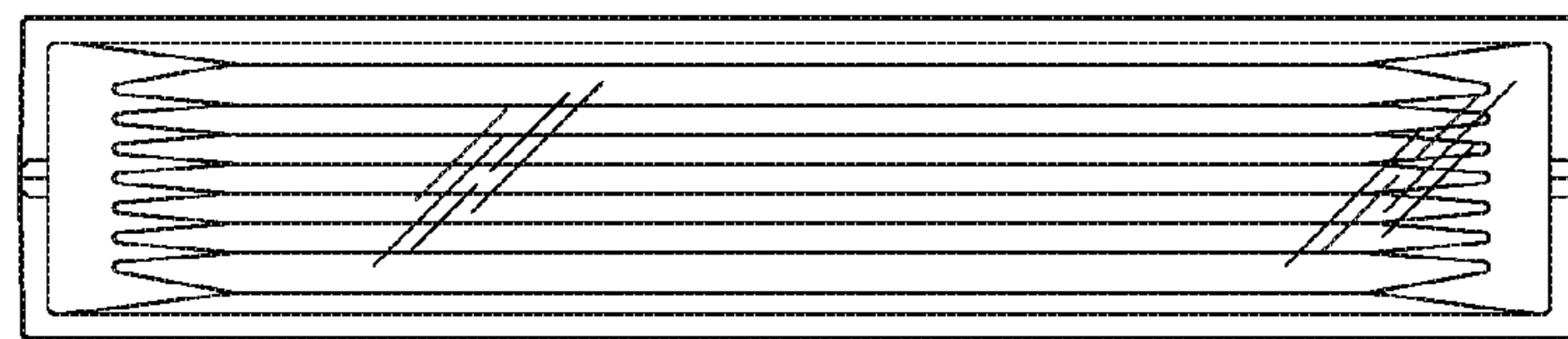


FIG. 48

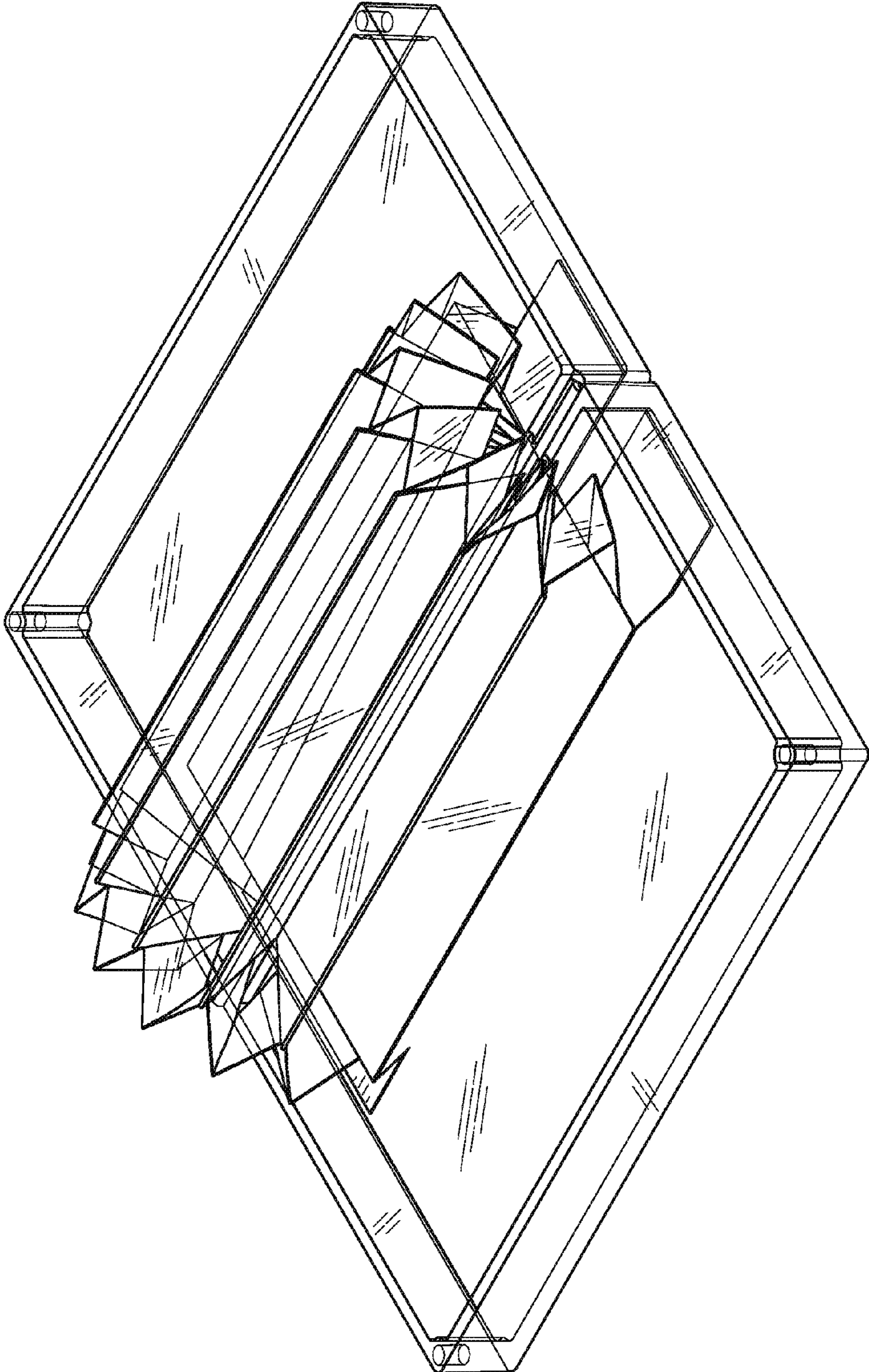


FIG. 49

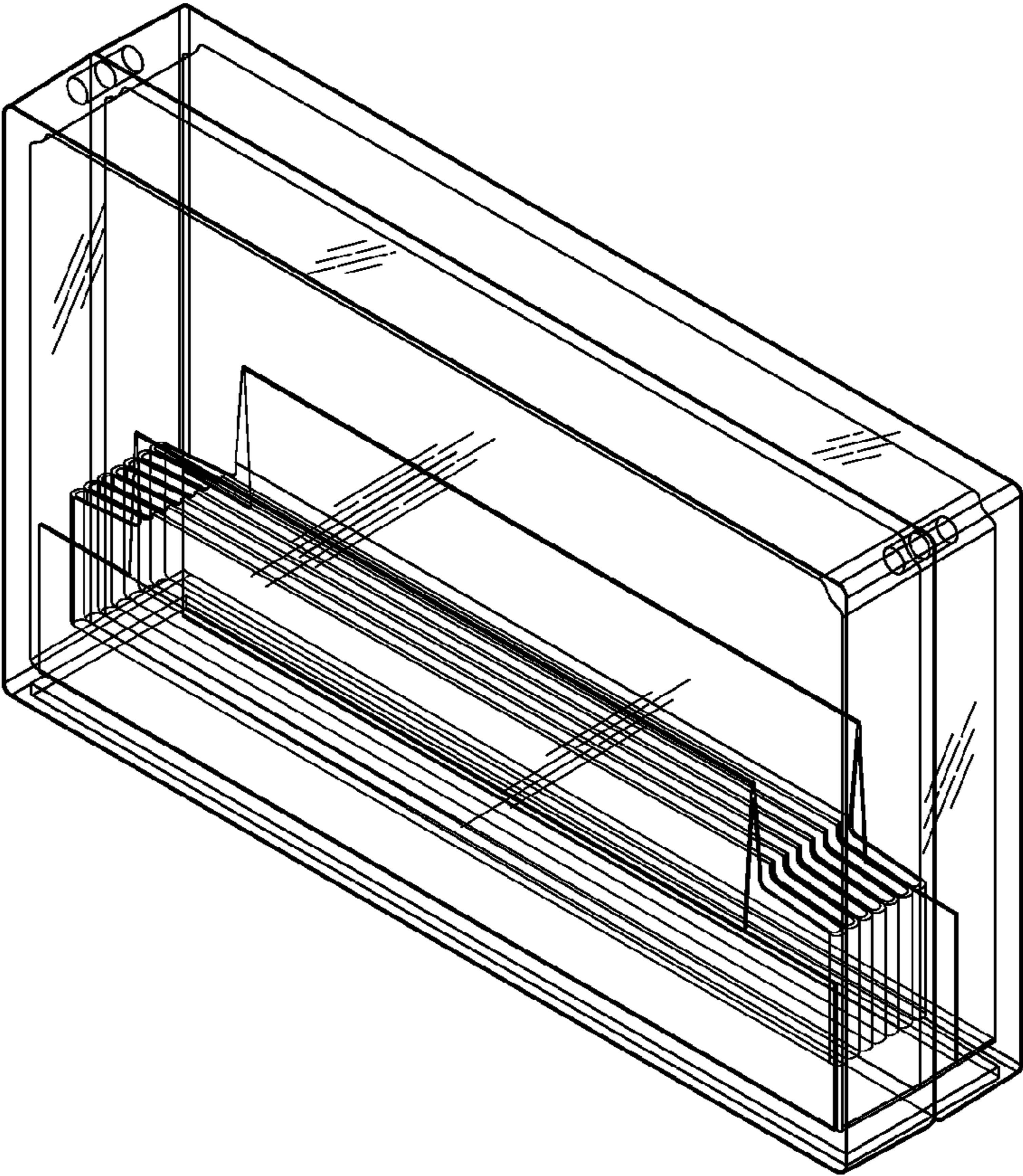


FIG. 50

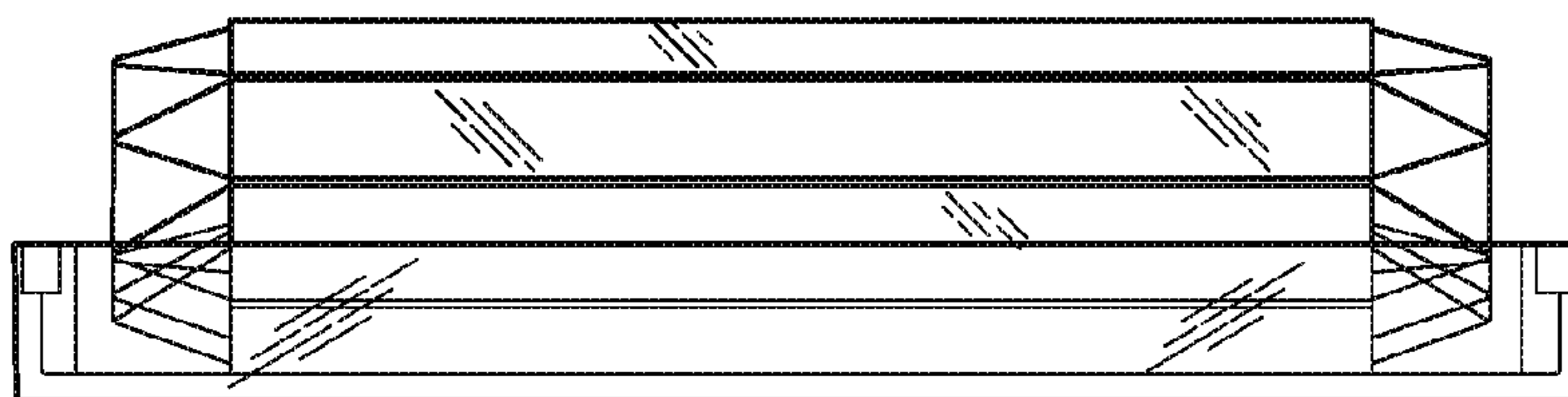


FIG. 51

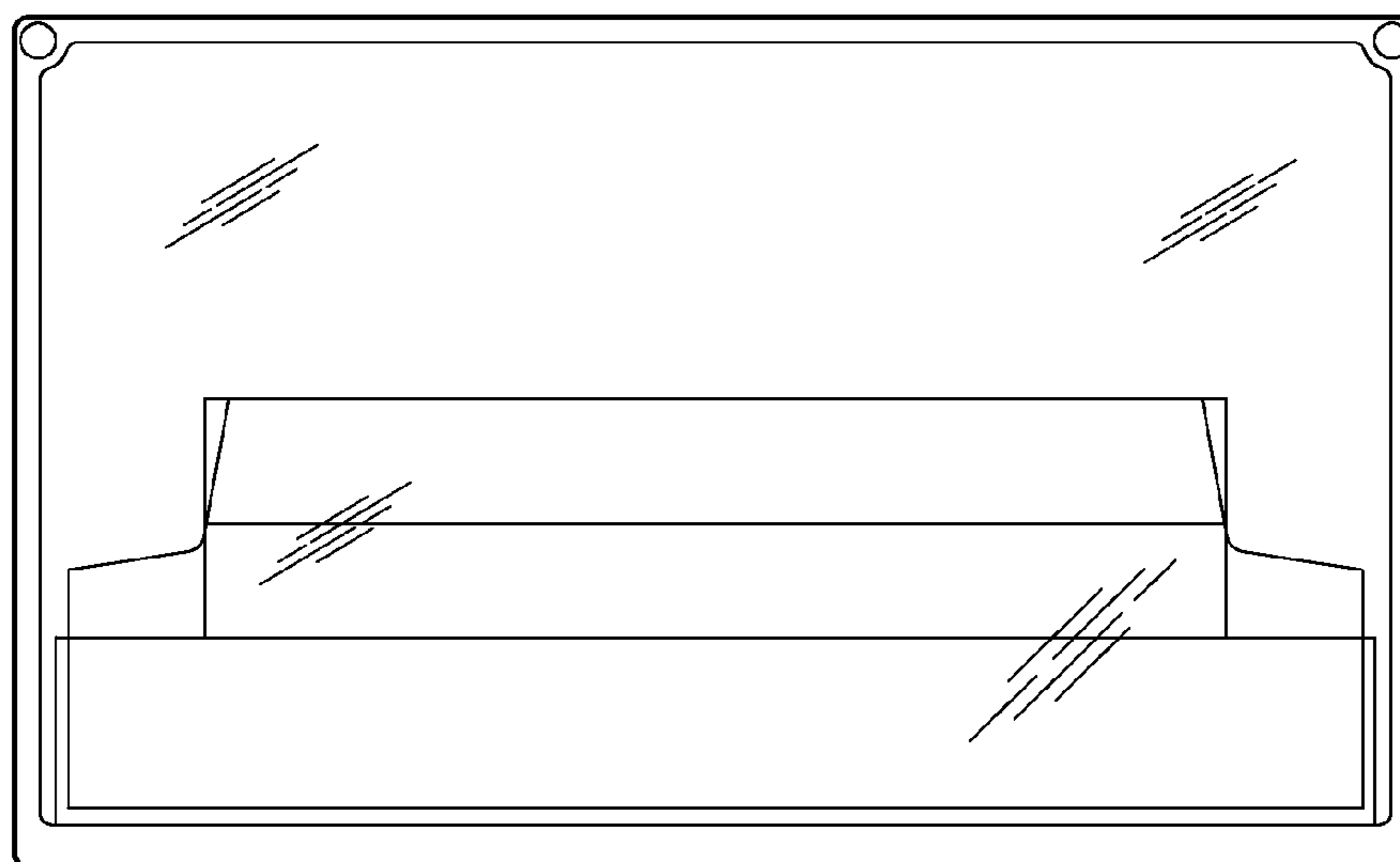


FIG. 52

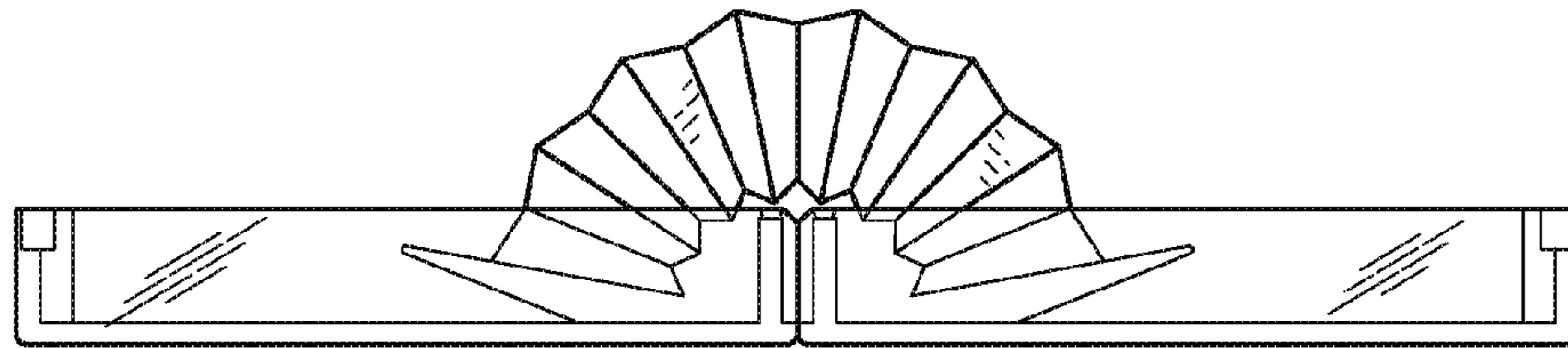


FIG. 53

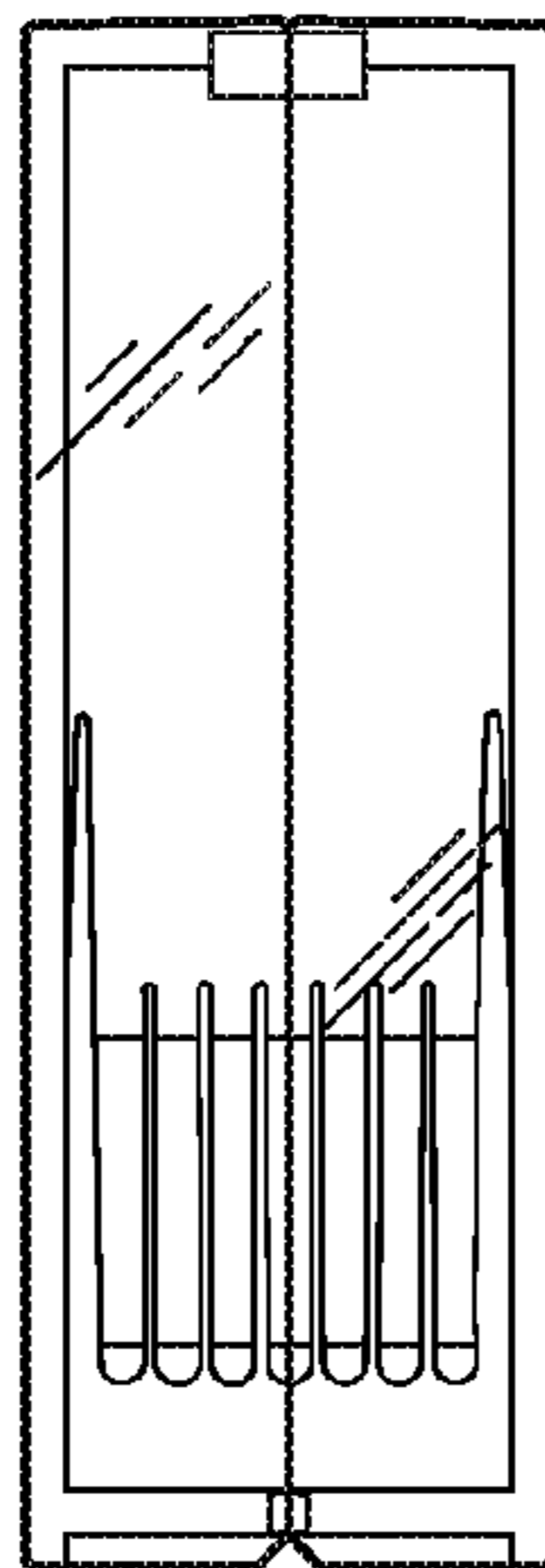


FIG. 54

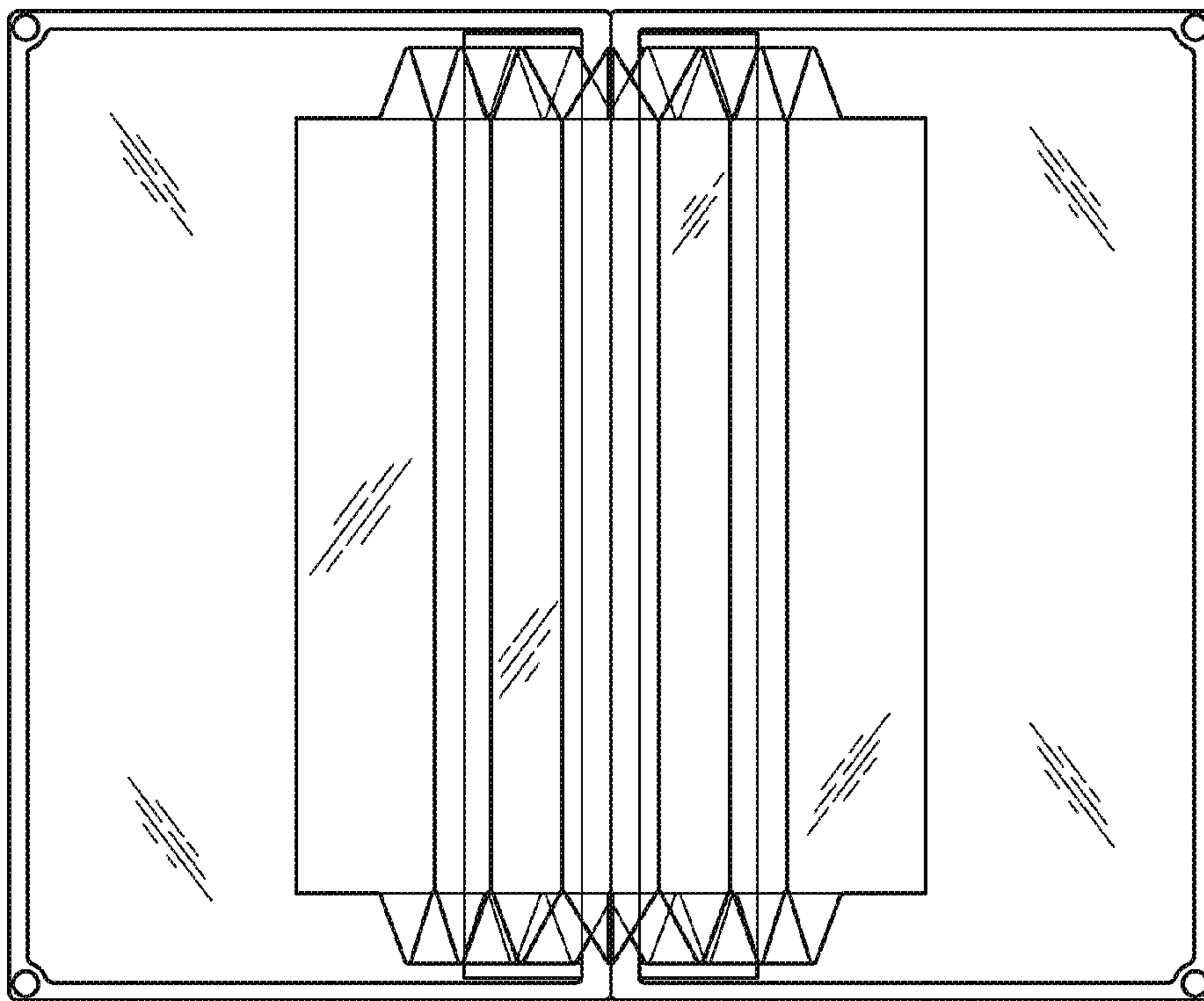


FIG. 55

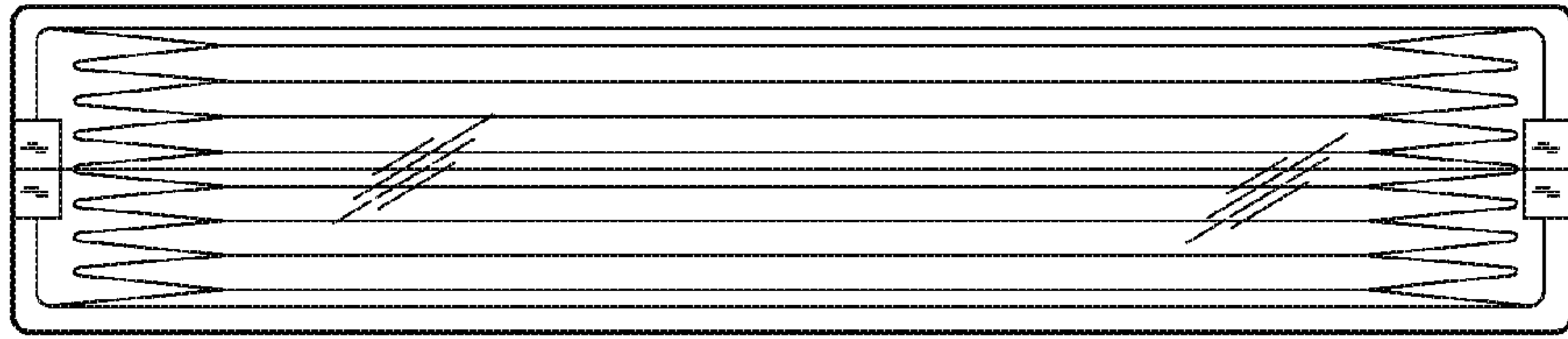


FIG. 56

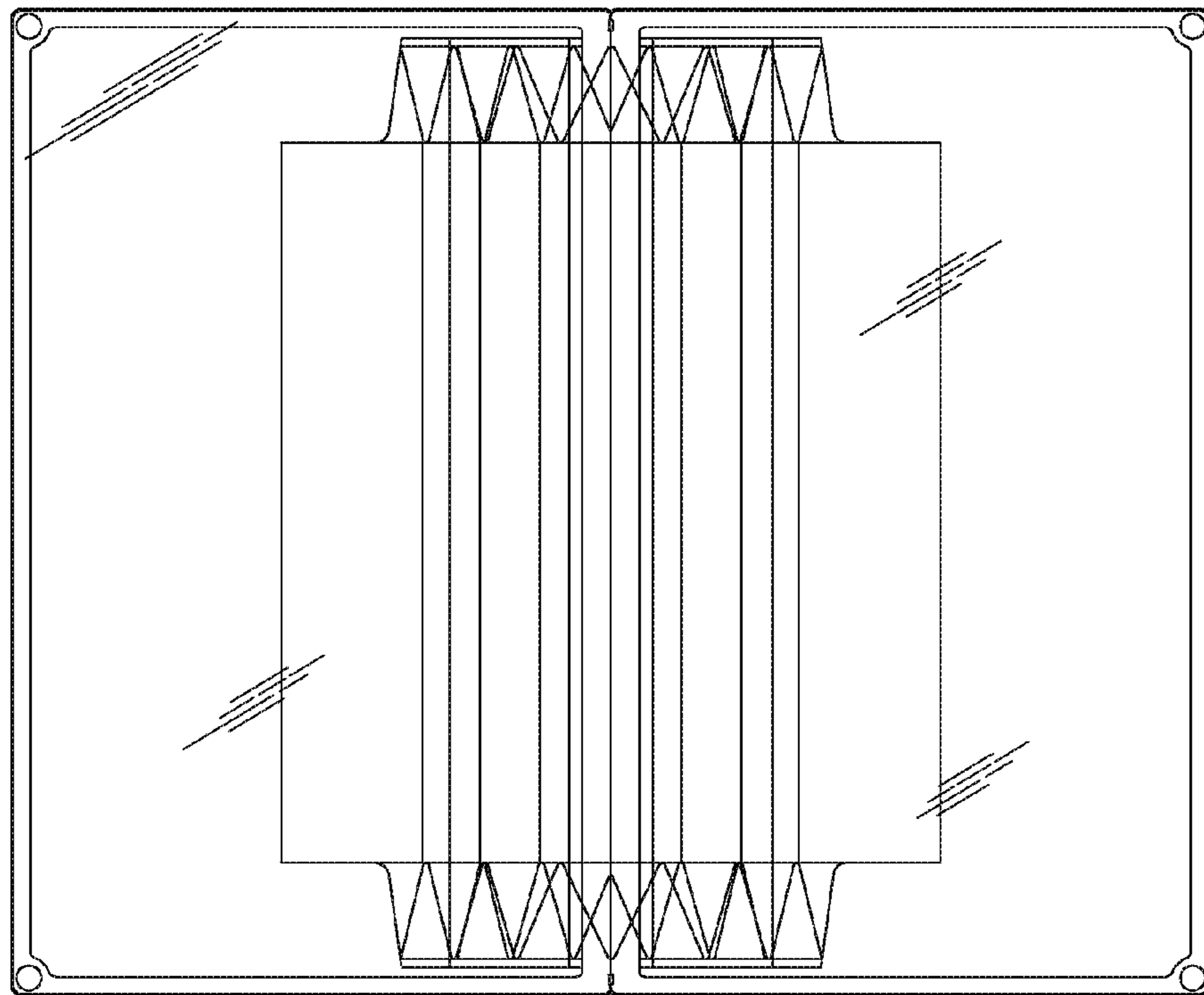


FIG. 57

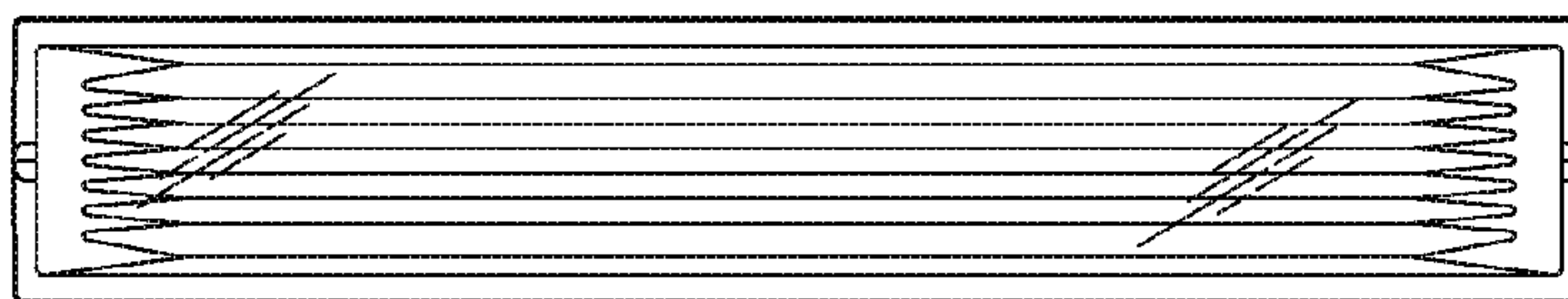


FIG. 58