



US00D722431S

(12) **United States Design Patent**  
**Sagan et al.**

(10) **Patent No.:** **US D722,431 S**  
(45) **Date of Patent:** **\*\* Feb. 17, 2015**

- (54) **BACKPACK**
- (71) Applicant: **NIKE, Inc.**, Beaverton, OR (US)
- (72) Inventors: **David Sagan**, Lake Oswego, OR (US);  
**Hrag Nassanian**, Beaverton, OR (US)
- (73) Assignee: **NIKE, Inc.**, Beaverton, OR (US)
- (\*\*) Term: **14 Years**
- (21) Appl. No.: **29/499,715**
- (22) Filed: **Aug. 18, 2014**
- (51) **LOC (10) Cl.** ..... **03-01**
- (52) **U.S. Cl.**  
USPC ..... **D3/216; D3/318; D5/58**
- (58) **Field of Classification Search**  
CPC ..... A45F 3/04; A45F 3/042; A45F 2003/045;  
A45F 3/047; A45F 3/08; A45F 3/10; A45F  
3/14; A45F 4/02; A45F 4/08; A45C 13/00;  
A45C 13/08; A45C 13/083  
USPC ..... D3/201, 213–218, 231, 232, 233, 267,  
D3/273, 289, 290, 318, 327, 226, 271.1,  
D3/282, 256; 224/153, 155, 156, 191, 575,  
224/576, 578, 581, 586, 613, 617, 627, 630,  
224/644, 645, 650, 652, 653, 657; 441/80,  
441/88; 5/413 R; 190/1, 102, 103, 104, 107,  
190/108, 111, 114; D5/3, 4, 7, 46, 47, 49,  
D5/56, 58, 61, 99; D25/138, 140, 151,  
D25/152, 156; 428/614  
See application file for complete search history.

(56) **References Cited**

**U.S. PATENT DOCUMENTS**

D4,528 S	*	12/1870	Hodgson	.....	D5/58
967,462 A		8/1910	Thun		
D53,391 S		5/1919	Zisk		
D115,071 S		5/1939	Rosenberg		
D122,953 S	*	10/1940	Geller	.....	D5/49
D124,601 S		1/1941	Doree		

D137,666 S		4/1944	Jolles		
D147,825 S	*	11/1947	Wemyss	.....	D3/282
D195,671 S	*	7/1963	Hansmann	.....	D25/151
3,248,185 A	*	4/1966	Barney	.....	428/614
D218,374 S	*	8/1970	Kuroda	.....	D3/303
3,654,982 A	*	4/1972	Labelle	.....	160/199
D228,830 S		10/1973	Rutman		
D413,016 S		8/1999	Parker et al.		
D415,888 S		11/1999	Parker et al.		
D415,889 S		11/1999	Parker et al.		
D426,951 S	*	6/2000	Rohrbach et al.	.....	D3/217
D478,218 S	*	8/2003	Liang	.....	D5/58
D503,039 S		3/2005	Cook et al.		
7,107,622 B2		9/2006	Feduzi et al.		
D560,353 S	*	1/2008	Harvey	.....	D3/217
D617,994 S	*	6/2010	Walther et al.	.....	D5/58
D644,442 S	*	9/2011	Hutchison	.....	D5/58
8,256,025 B2		9/2012	Feduzi et al.		
D687,492 S	*	8/2013	Zander	.....	D19/47
D693,115 S		11/2013	Stringfellow-Collins		
D696,842 S		1/2014	Randolph		
D708,845 S		7/2014	Taylor		
D713,139 S		9/2014	Ford		
2011/0120893 A1		5/2011	Rekuc et al.		

\* cited by examiner

*Primary Examiner* — Martie K Holtje

(74) *Attorney, Agent, or Firm* — Banner & Witcoff, Ltd.

(57) **CLAIM**

The ornamental design for a backpack, as shown and described.

**DESCRIPTION**

FIG. 1 is a front perspective view of a backpack showing our new design;

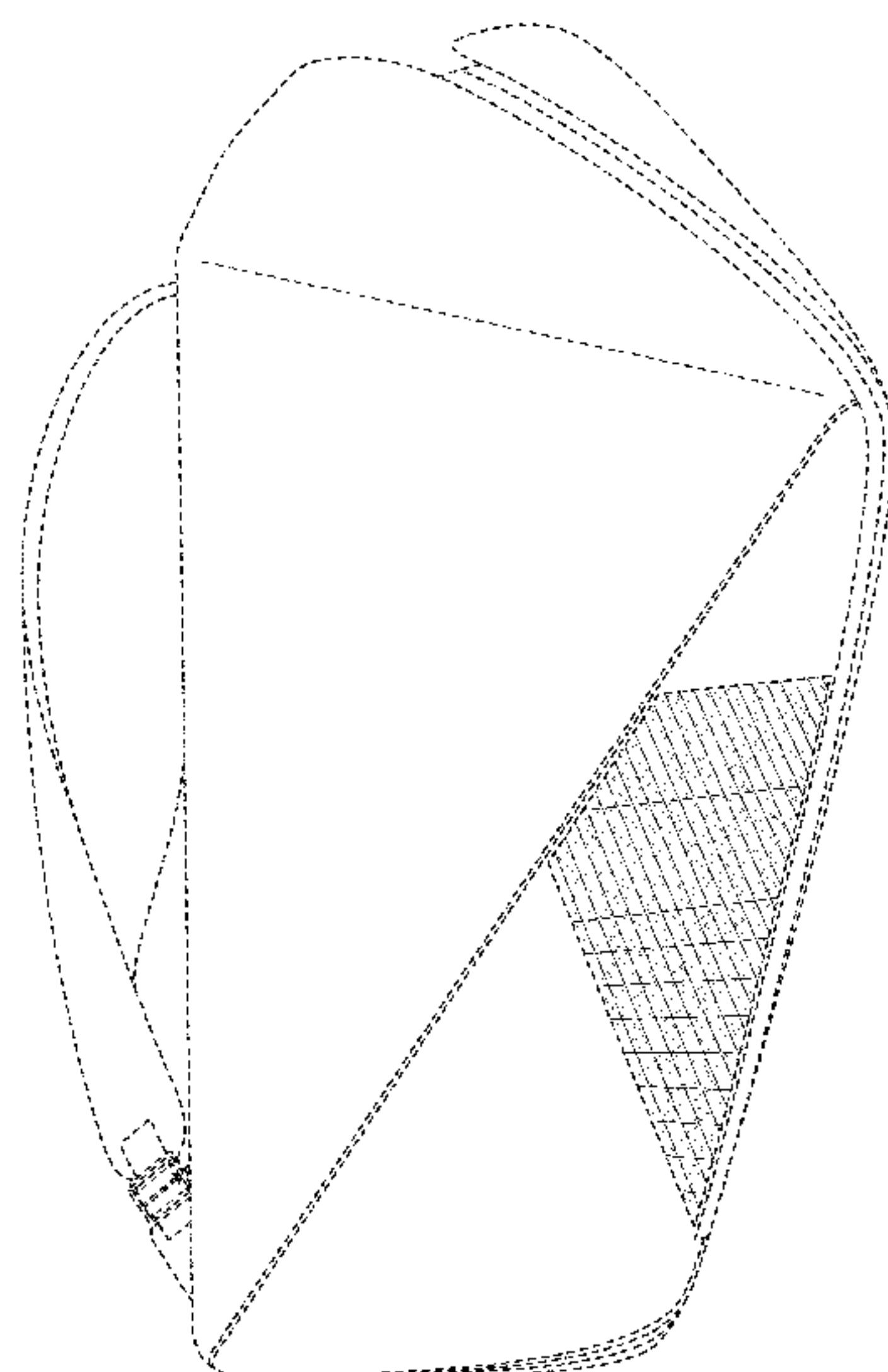
FIG. 2 is a front view thereof;

FIG. 3 is a side view thereof; and,

FIG. 4 is a rear perspective view thereof.

The broken lines immediately adjacent to the shaded area represent unclaimed boundaries of the design. The broken lines showing the remainder of the backpack are for environmental purposes only and form no part of the claimed design.

**1 Claim, 4 Drawing Sheets**



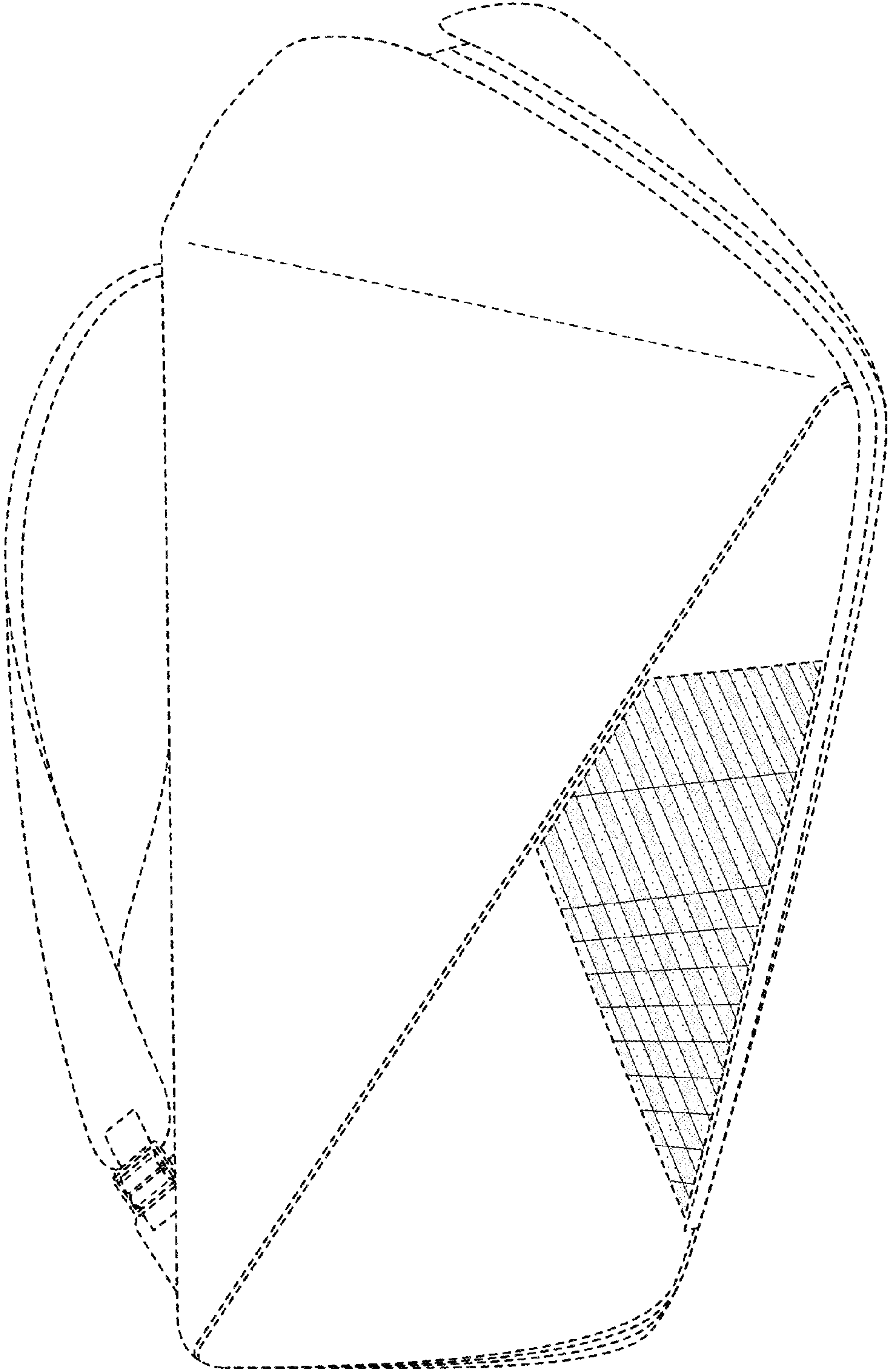


FIG. 1

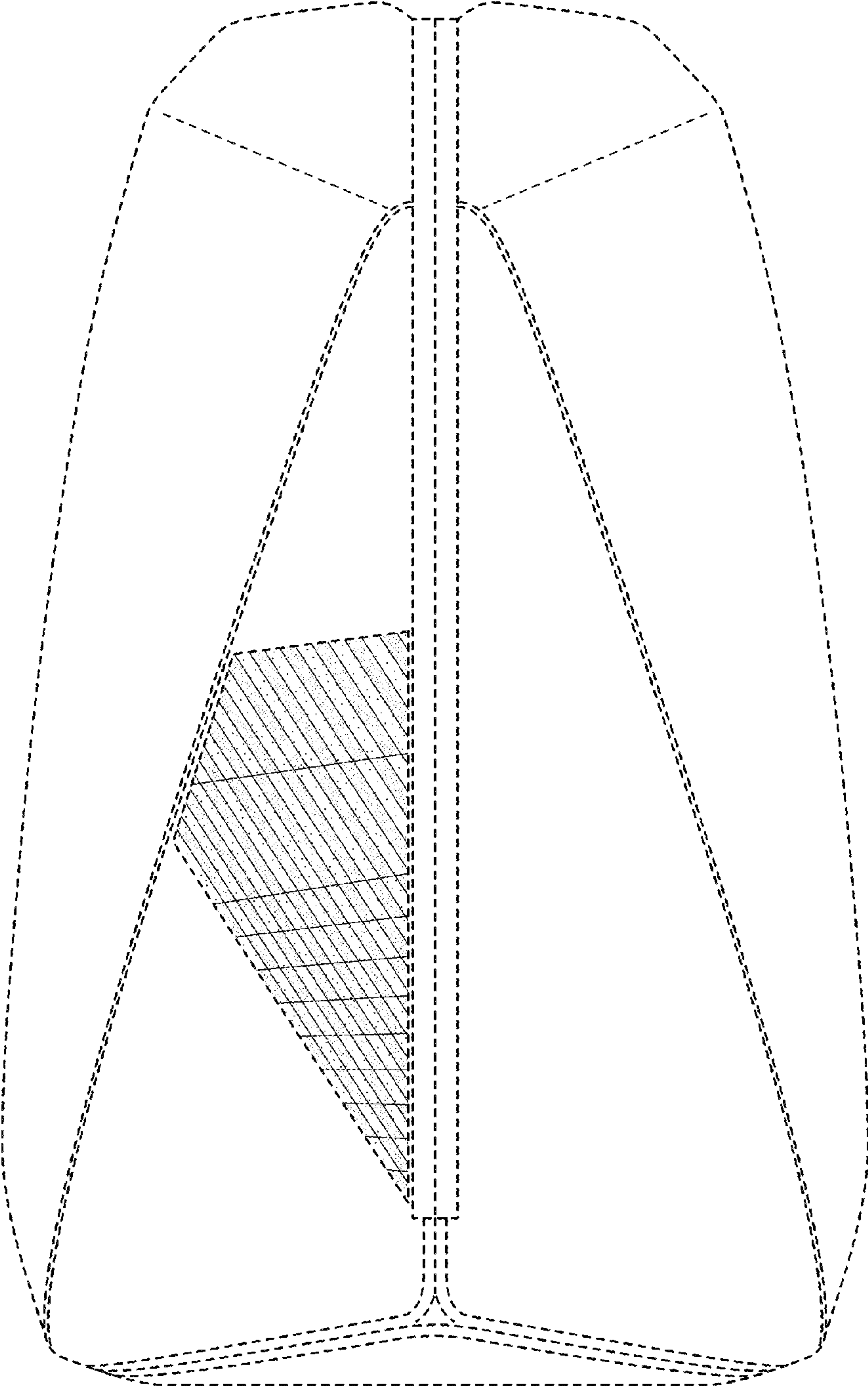


FIG. 2

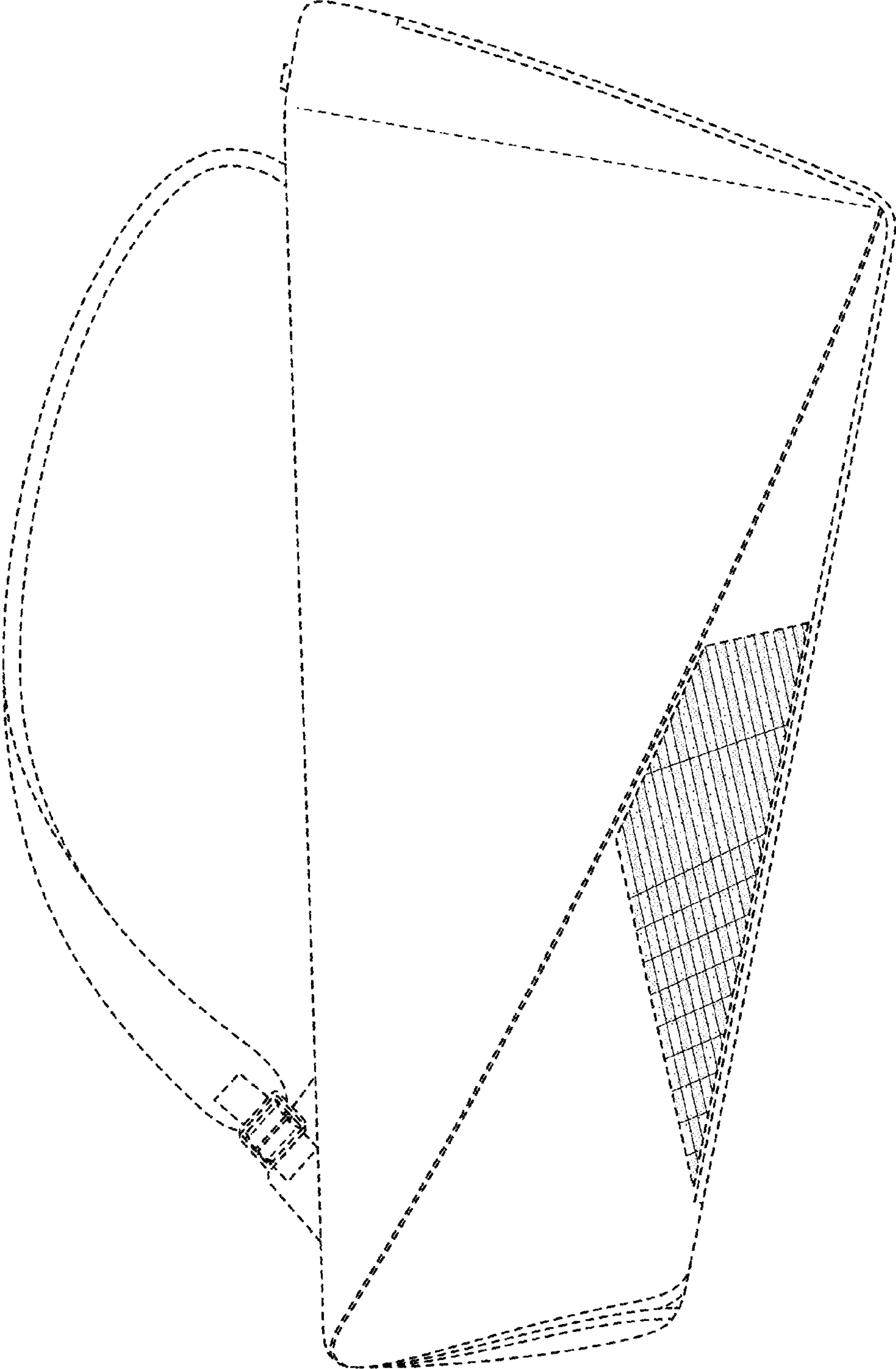


FIG. 3



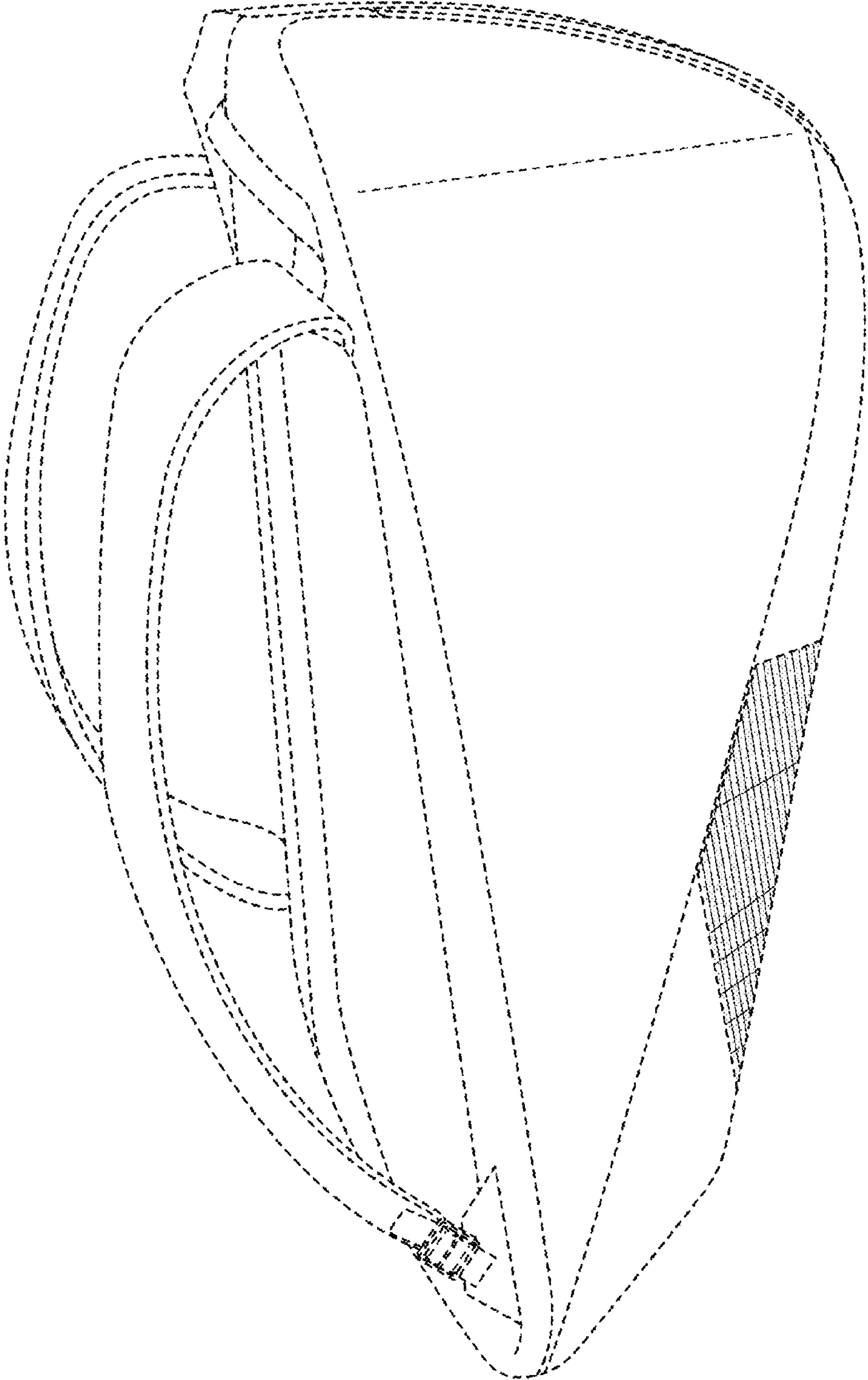


FIG. 4