



US00D722414S

(12) **United States Design Patent**
Lusty et al.

(10) **Patent No.:** **US D722,414 S**
(45) **Date of Patent:** **** Feb. 10, 2015**

- (54) **FAST ADJUST TRAILER JACK**
- (71) Applicant: **BAC Industries, Inc.**, Miliona, MN (US)
- (72) Inventors: **Robert H. Lusty**, Alexandria, MN (US);
James D. Oberg, Eagle Bend, MN (US)
- (73) Assignee: **BAC Industries, Inc.**, Miliona, MN (US)
- (**) Term: **14 Years**
- (21) Appl. No.: **29/483,043**
- (22) Filed: **Feb. 25, 2014**
- (51) **LOC (10) Cl.** **12-05**
- (52) **U.S. Cl.**
USPC **D34/31**
- (58) **Field of Classification Search**
CPC B60D 1/665; B66F 3/16; B66F 1/00;
B66F 7/11; B66F 19/00
USPC D34/28, 31; 254/2 R, 93 H, 134, DIG. 1,
254/423, 86 H, 86 R, 420, 424, 425, 93 R,
254/124, 126, 8 B
See application file for complete search history.

4,796,864 A	1/1989	Wilson	
5,282,605 A *	2/1994	Sauber	254/420
D348,966 S *	7/1994	Guyton	D34/31
D388,925 S *	1/1998	Hulegaard et al.	D34/31
5,984,353 A *	11/1999	Rasmussen	280/766.1
D447,309 S *	8/2001	Wilson	D34/31
D461,615 S *	8/2002	Bainter	D34/31
D527,509 S *	8/2006	Johns	D34/31
D577,175 S *	9/2008	Walstrom et al.	D34/35
8,091,922 B2	1/2012	McMahan	
D653,834 S *	2/2012	Ahrenholtz et al.	D34/31
D680,914 S *	4/2013	Greenblatt et al.	D12/115
8,672,298 B2 *	3/2014	Hsieh	254/418
2004/0041138 A1 *	3/2004	Drake, III	254/420
2004/0159826 A1 *	8/2004	Peschmann et al.	254/420
2010/0127478 A1 *	5/2010	Bender	280/490.1
2010/0264387 A1 *	10/2010	Realegeno-Amaya	254/93 R
2011/0001103 A1 *	1/2011	Chen	254/93 R
2013/0119332 A1 *	5/2013	Cantoni et al.	254/93 R

* cited by examiner

Primary Examiner — Cynthia Ramirez

(74) *Attorney, Agent, or Firm* — Nikolai & Mersereau, P.A.;
Thomas J. Nikolai

(57) **CLAIM**

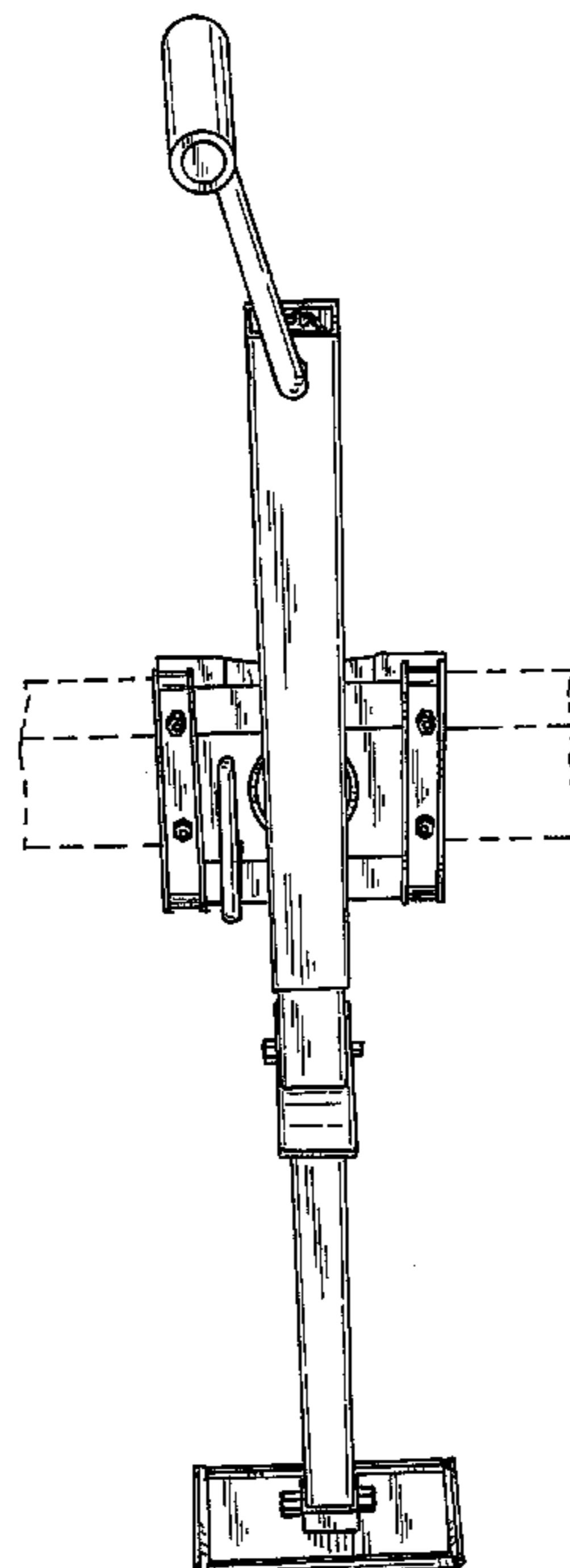
The ornamental design for the “fast adjust trailer jack,” as shown and described.

DESCRIPTION

FIG. 1 is a front view of a fast adjust trailer jack showing our new design;
FIG. 2 is a rear view thereof;
FIG. 3 is a perspective right side view thereof; and,
FIG. 4 is a perspective left side view thereof.
The broken lines in FIGS. 1-4 are for the purpose of illustrating the environment and form no part of the claimed design.

1 Claim, 4 Drawing Sheets

- (56) **References Cited**
U.S. PATENT DOCUMENTS
- 2,155,157 A * 4/1939 Tyler 254/100
- 2,939,679 A 6/1960 Ryan
- 3,595,527 A 7/1971 Douglass et al.
- 3,957,249 A 5/1976 Williams
- 4,176,824 A * 12/1979 Linton et al. 254/423
- 4,316,601 A 2/1982 Osborne et al.
- 4,486,004 A * 12/1984 Drewitz et al. 254/2 B



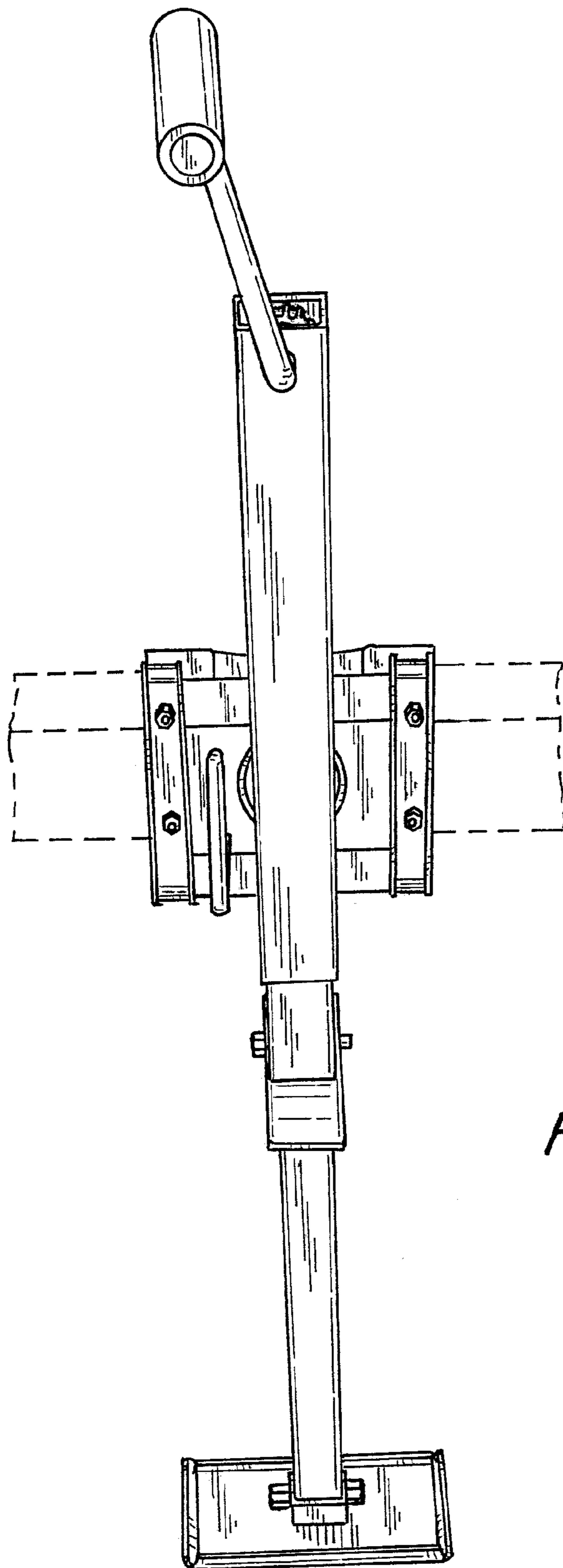


FIG. 1

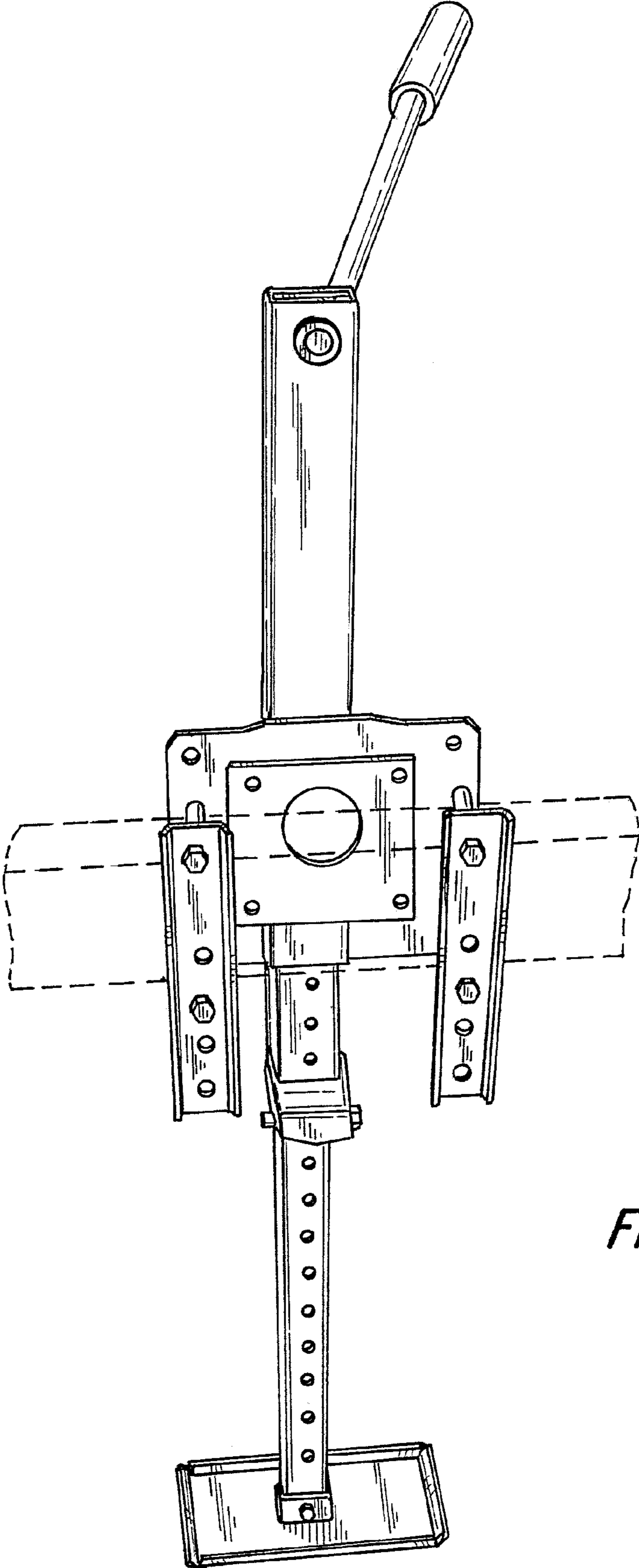


FIG. 2

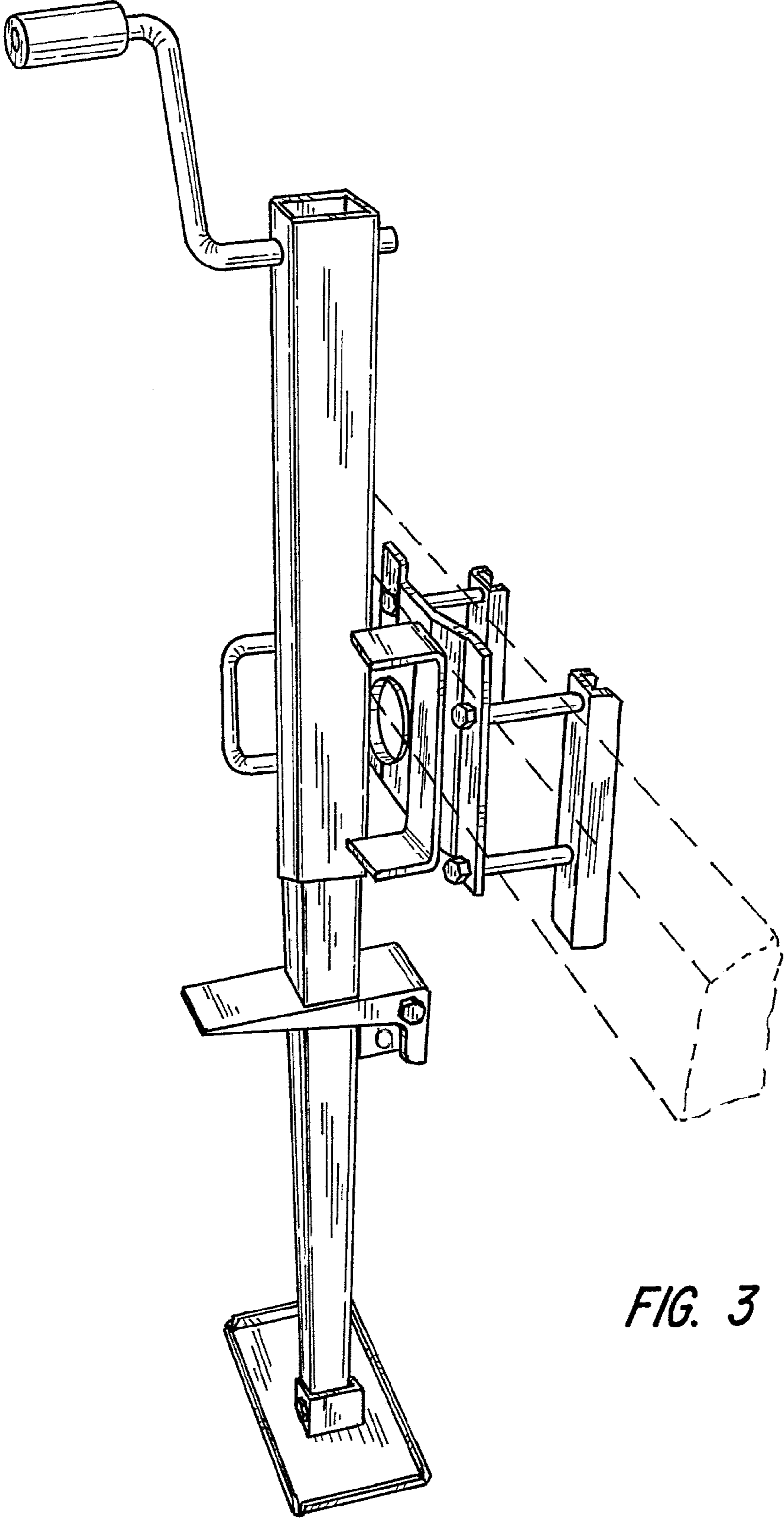


FIG. 3

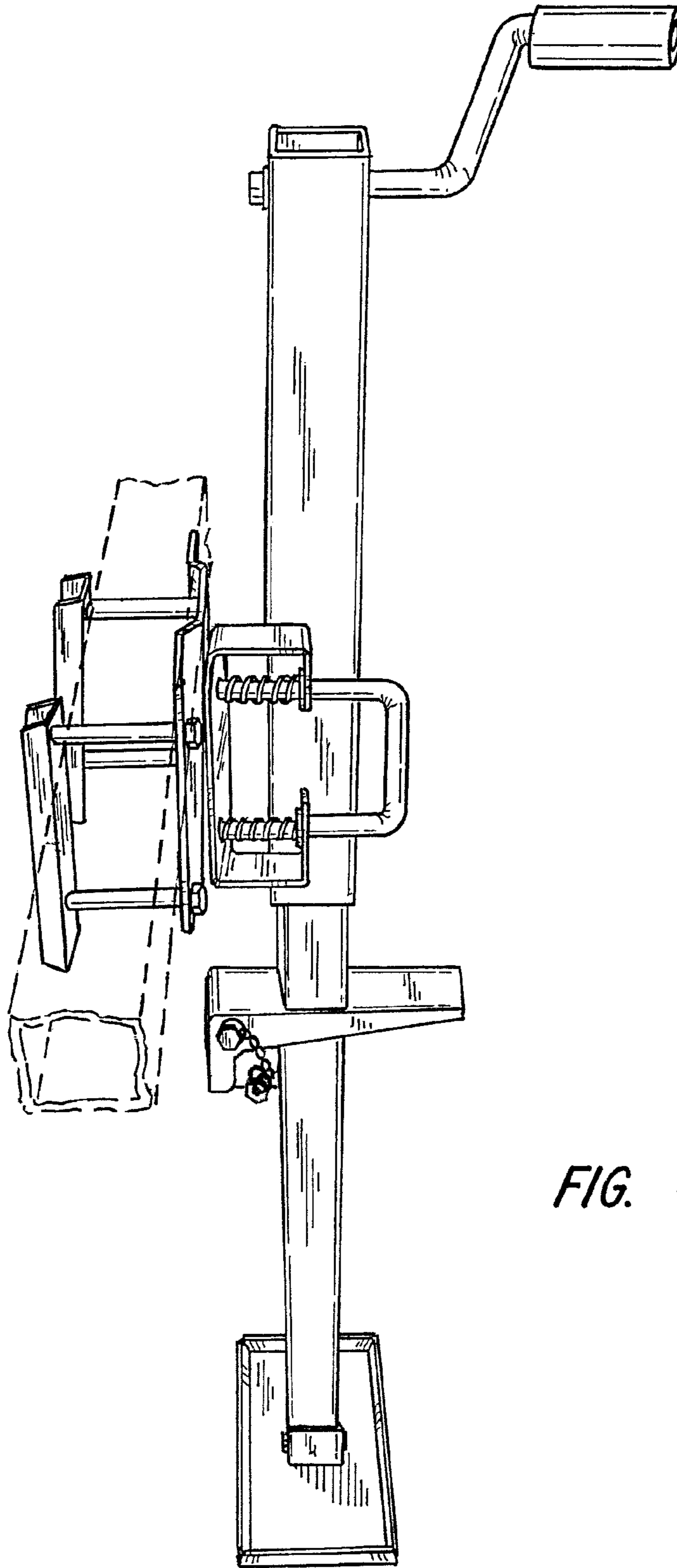


FIG. 4