



US00D722413S

(12) **United States Design Patent**
Crow

(10) **Patent No.:** **US D722,413 S**

(45) **Date of Patent:** **** Feb. 10, 2015**

(54) **YARN CART**

(71) Applicant: **Mitchell A. Crow**, Dalton, GA (US)

(72) Inventor: **Mitchell A. Crow**, Dalton, GA (US)

(**) Term: **14 Years**

(21) Appl. No.: **29/485,483**

(22) Filed: **Mar. 19, 2014**

(51) **LOC (10) Cl.** **12-02**

(52) **U.S. Cl.**
USPC **D34/21**

(58) **Field of Classification Search**
USPC D34/12-27; 280/79.11, 79.3, 79.2,
280/47.34, 47.26; 248/129; D6/678.1,
D6/678.4
See application file for complete search history.

(56) **References Cited**

U.S. PATENT DOCUMENTS

- D288,331 S * 2/1987 Huldt D34/21
- D290,177 S * 6/1987 Trubiano D34/23
- D301,075 S * 5/1989 Trubiano D34/21

- D383,336 S * 9/1997 Van Der Merwe et al. D6/474
- D561,972 S * 2/2008 Roever D34/17
- D574,570 S * 8/2008 Tsai D34/12
- D584,413 S * 1/2009 Lambalot D24/185
- D657,110 S * 4/2012 Schlomann D34/21
- D673,751 S * 1/2013 Freimuth et al. D34/12
- D690,070 S * 9/2013 Van Es D34/21

* cited by examiner

Primary Examiner — Cynthia Ramirez

(74) *Attorney, Agent, or Firm* — Rodgers & Rodgers

(57) **CLAIM**

The ornamental design for a yarn cart, as shown and described.

DESCRIPTION

FIG. 1 is a perspective view of a yarn cart showing my new design;
 FIG. 2 is a front elevational view thereof;
 FIG. 3 is a right-side elevational view thereof;
 FIG. 4 is a left-side elevational view thereof;
 FIG. 5 is a top plan view thereof;
 FIG. 6 is a rear elevational view thereof; and,
 FIG. 7 is a bottom plan view thereof.

1 Claim, 3 Drawing Sheets

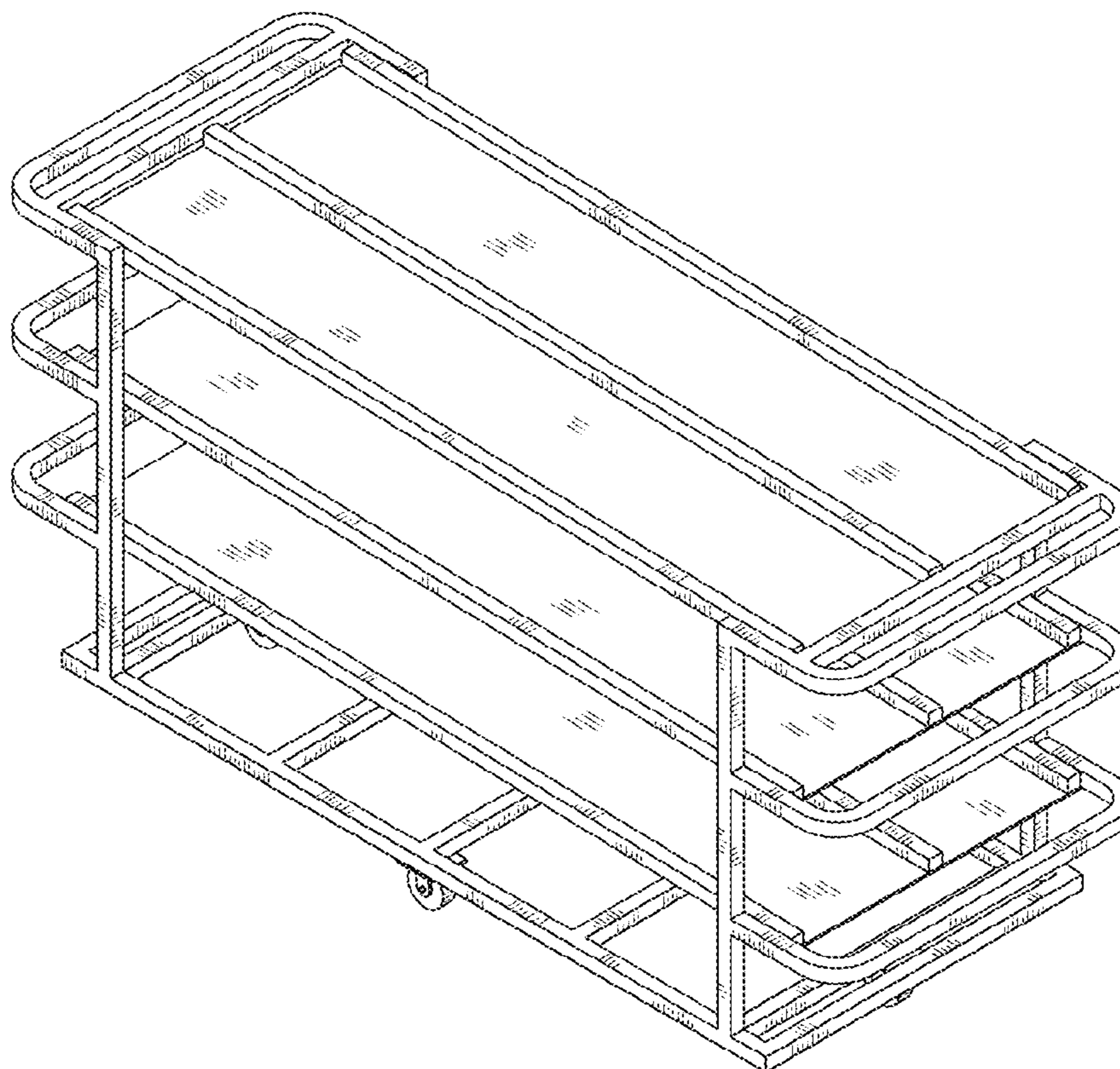


Fig 1

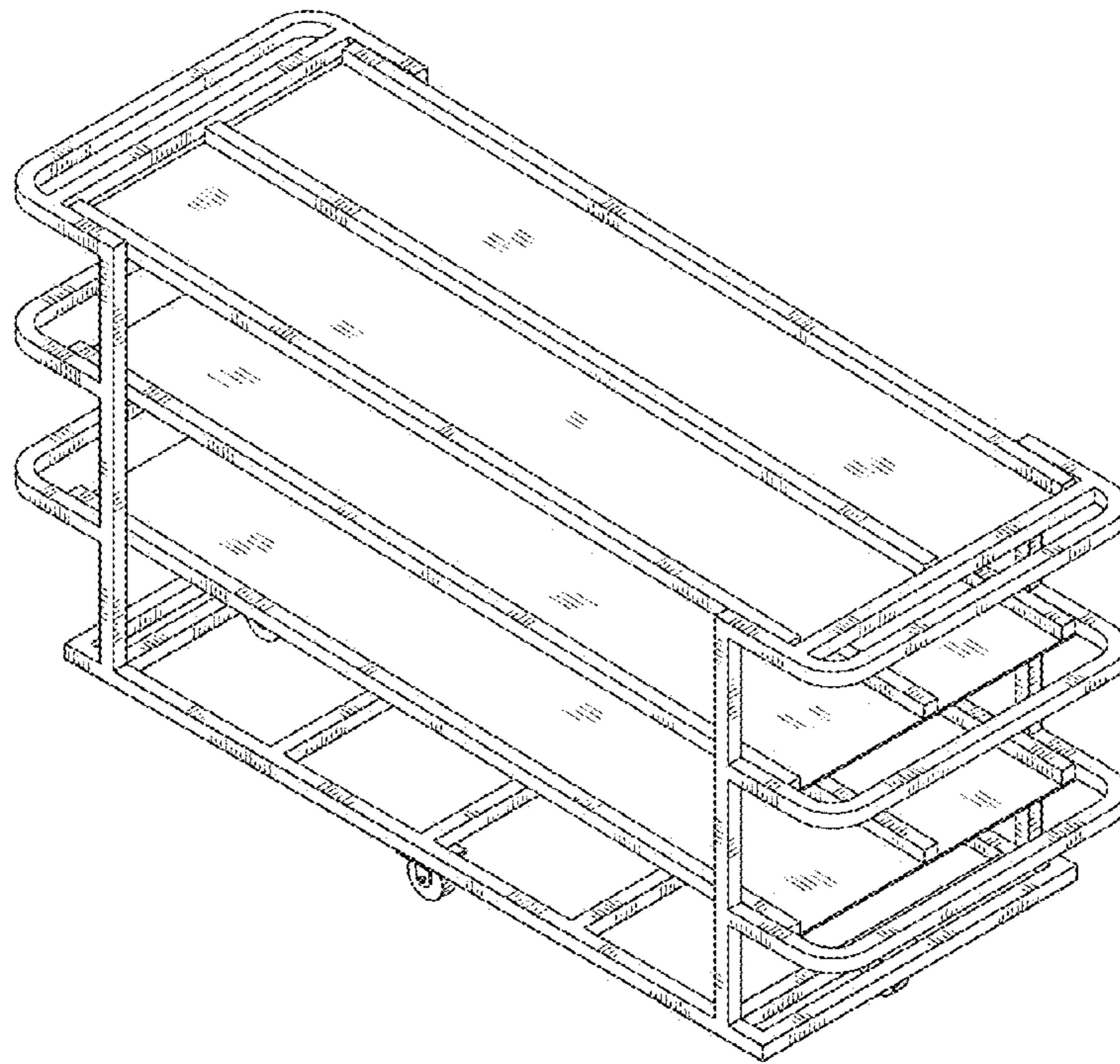


Fig 2

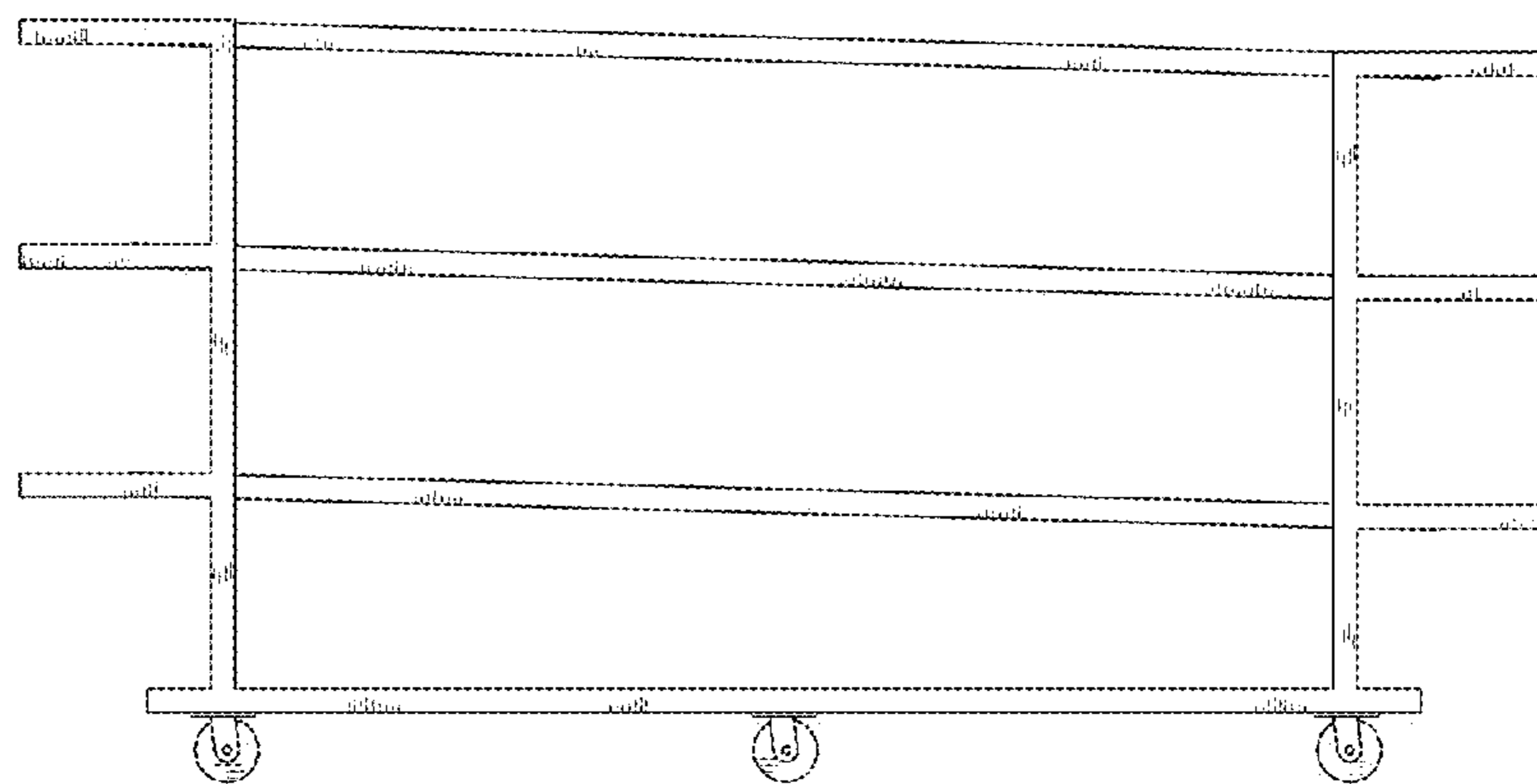


Fig 3

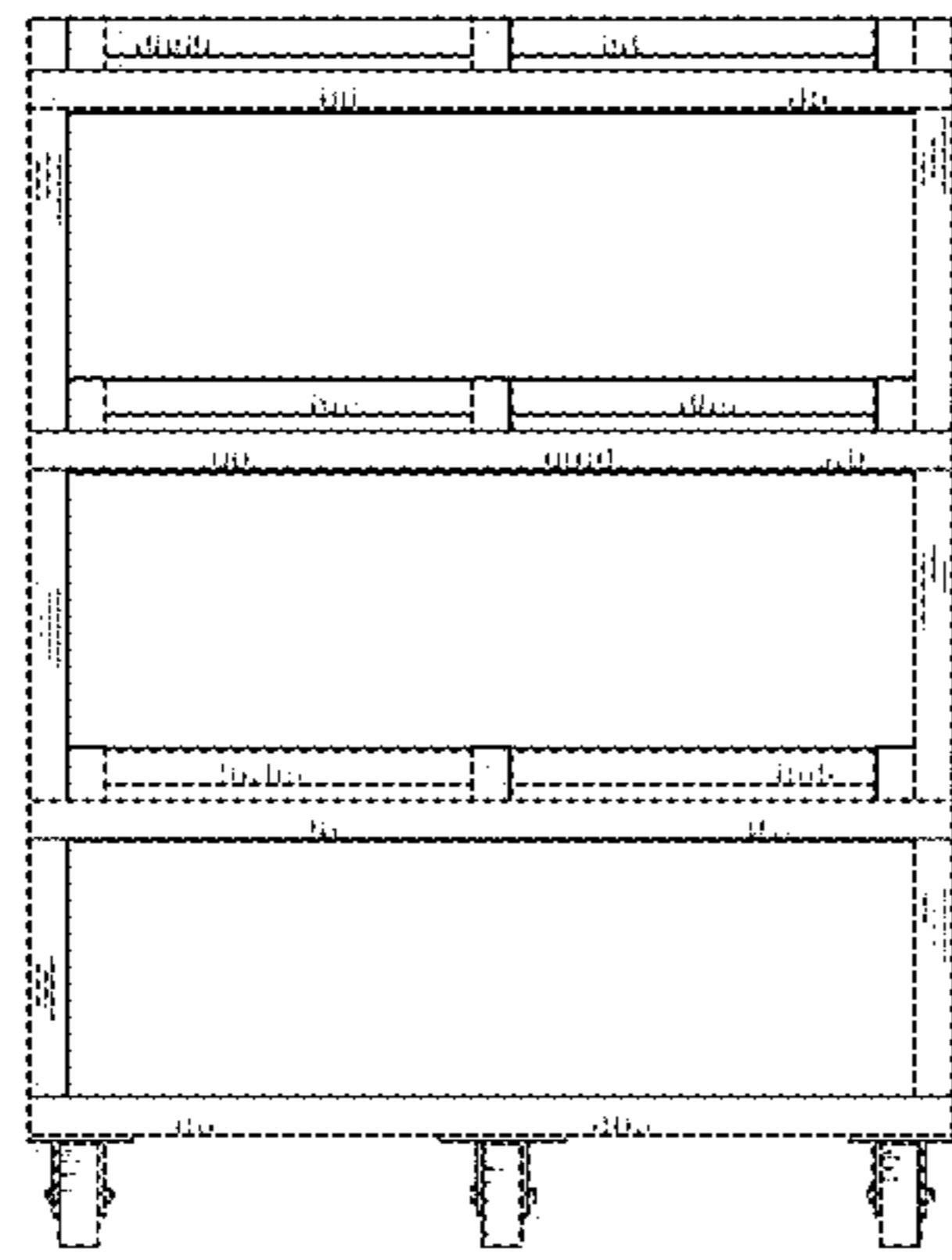


Fig 4

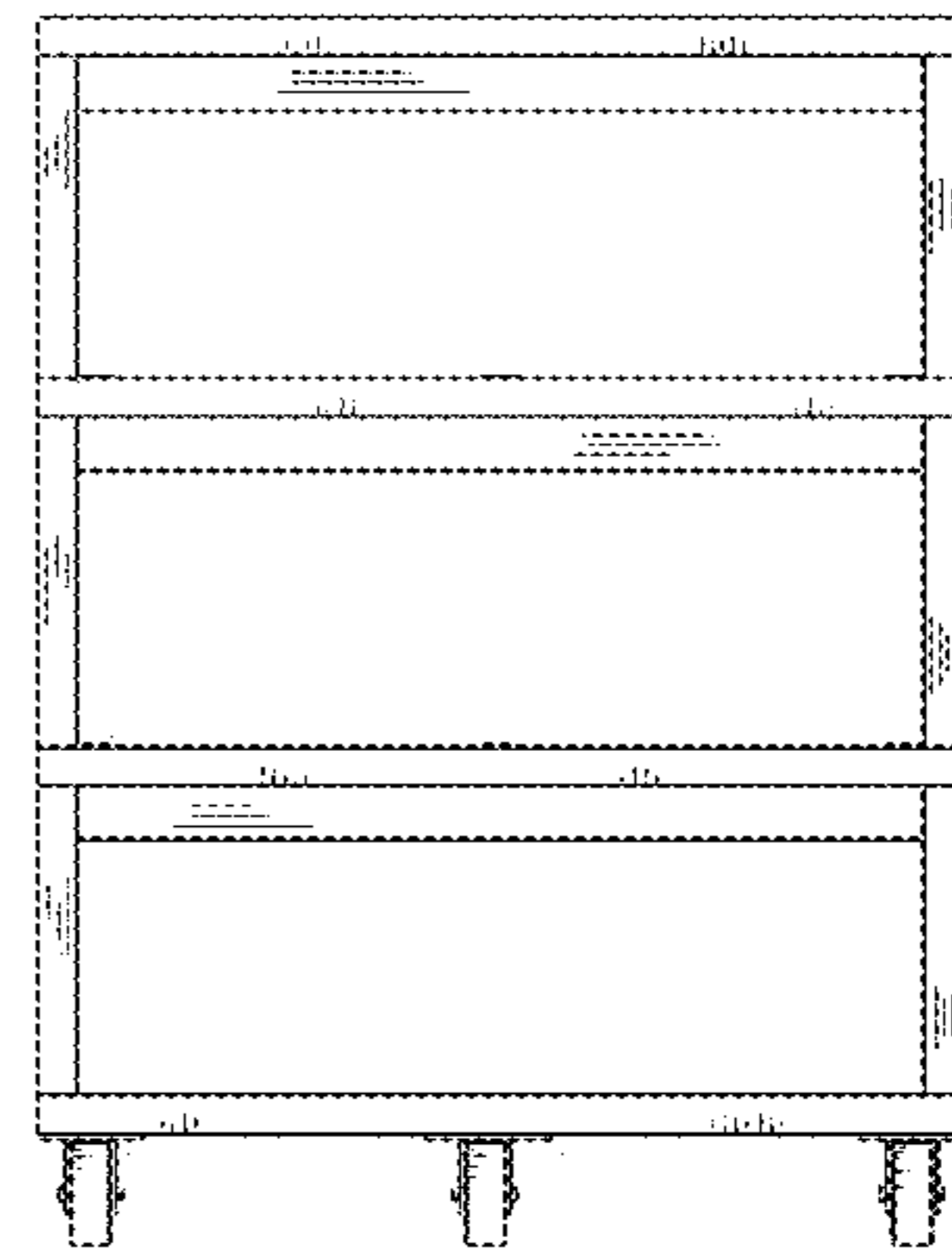


Fig 5

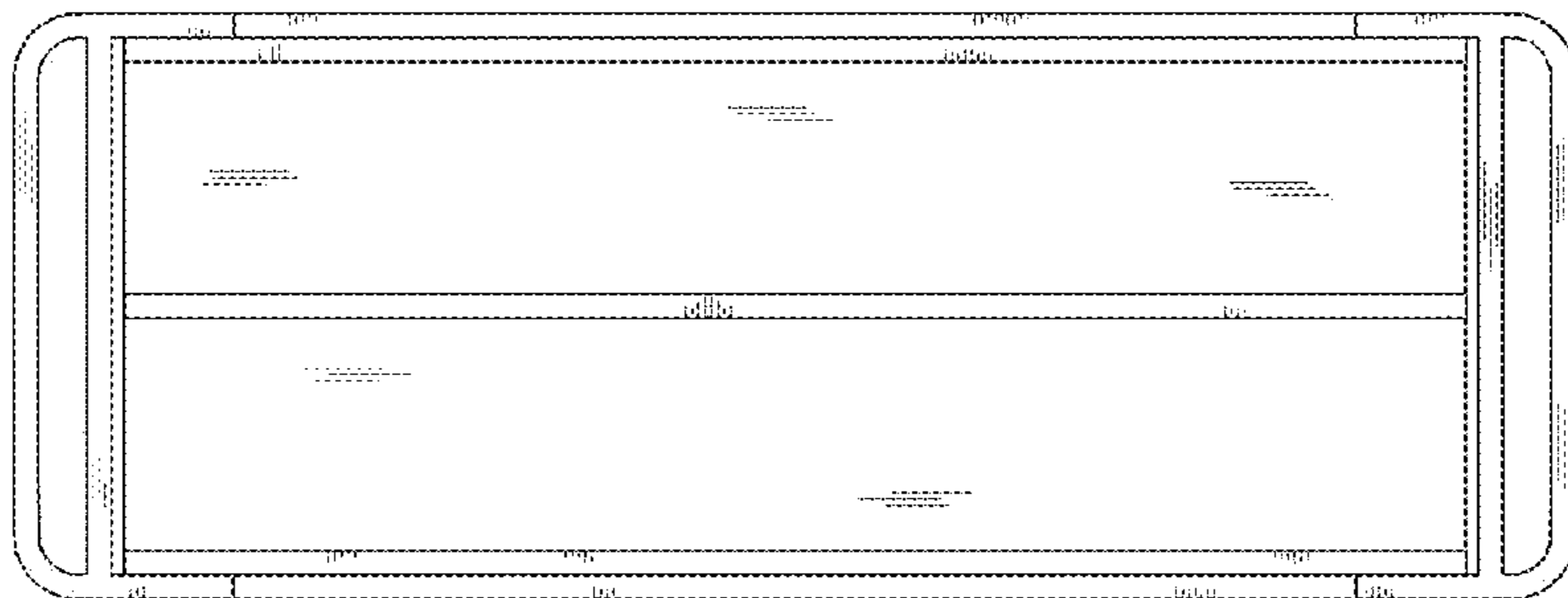


Fig 6

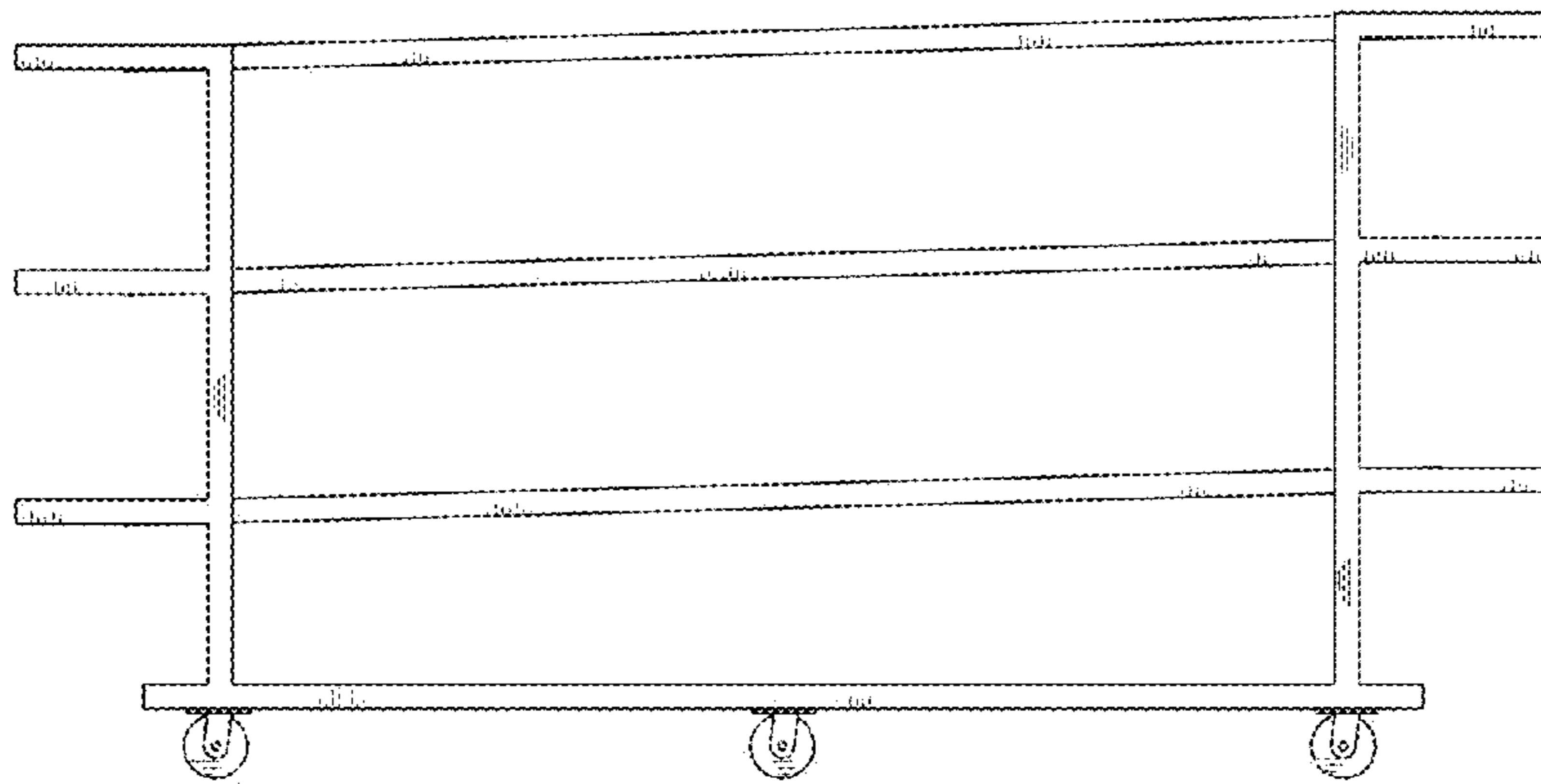


Fig 7

