



US00D722411S

(12) **United States Design Patent**
Chun et al.

(10) **Patent No.:** **US D722,411 S**

(45) **Date of Patent:** **** Feb. 10, 2015**

(54) **VACUUM CLEANER**

(71) Applicant: **Samsung Electronics Co., Ltd.**,
Suwon-si (KR)

(72) Inventors: **Dong-Won Chun**, Paju-Si (KR);
Deok-Sang Yun, Ahnsan-Si (KR);
Yu-Na Park, Seoul (KR)

(73) Assignee: **Samsung Electronics Co., Ltd.**,
Suwon-si (KR)

(**) Term: **14 Years**

(21) Appl. No.: **29/454,358**

(22) Filed: **May 9, 2013**

(30) **Foreign Application Priority Data**

Nov. 28, 2012 (KR) 30-2012-0057004

(51) **LOC (10) Cl.** **15-05**

(52) **U.S. Cl.**
USPC **D32/31**

(58) **Field of Classification Search**
CPC A47L 11/4072; A47L 11/40; A47L
5/36-5/367; A47L 7/019; A47L 7/0004;
A47L 7/0023; A47L 9/00
USPC 301/95.101, 105.1, 5.1; D12/501, 204,
D12/208; D32/21, 23-24, 31
See application file for complete search history.

(56) **References Cited**

U.S. PATENT DOCUMENTS

D222,048 S * 9/1971 Morrisette D12/501
D286,456 S * 10/1986 Groth D32/31
D358,690 S * 5/1995 Hohulin D32/31
D405,568 S * 2/1999 Mehaffey et al. D32/31

D460,225 S * 7/2002 Cunningham D32/4
D481,181 S * 10/2003 Lath et al. D32/31
D498,645 S * 11/2004 Parr D32/31
D544,156 S * 6/2007 Dyson et al. D32/25
D563,065 S * 2/2008 Yoon D32/31
D563,066 S * 2/2008 Shevlin D32/31
D583,300 S * 12/2008 Rancati D12/501
D613,470 S * 4/2010 Svantesson D32/31
D614,368 S * 4/2010 Svantesson et al. D32/31
8,020,944 B2 * 9/2011 Thompson 301/5.1
D669,832 S * 10/2012 Lee D12/208
D670,460 S * 11/2012 Mastio et al. D32/21
2002/0185907 A1 * 12/2002 Zimet 301/5.1
2004/0045121 A1 * 3/2004 Kim 15/327.2
2008/0196196 A1 * 8/2008 Conrad 15/353
2010/0052408 A1 * 3/2010 Ren 301/5.1
2012/0047683 A1 * 3/2012 Kim et al. 15/350
2013/0009371 A1 * 1/2013 Martinez 280/79.2

* cited by examiner

Primary Examiner — Ruth McInroy

(74) *Attorney, Agent, or Firm* — NSIP Law

(57) **CLAIM**

We claim the ornamental design for a vacuum cleaner, as shown and described.

DESCRIPTION

FIG. 1 is a perspective view of a vacuum cleaner, showing our new design;

FIG. 2 is a front view thereof;

FIG. 3 is a rear view thereof;

FIG. 4 is a left-side view thereof;

FIG. 5 is a right-side view thereof;

FIG. 6 is a top plan view thereof; and,

FIG. 7 is a bottom plan view thereof.

The broken lines illustrating portions of the vacuum cleaner are for environmental purposes only and form no part of the claimed design.

1 Claim, 7 Drawing Sheets

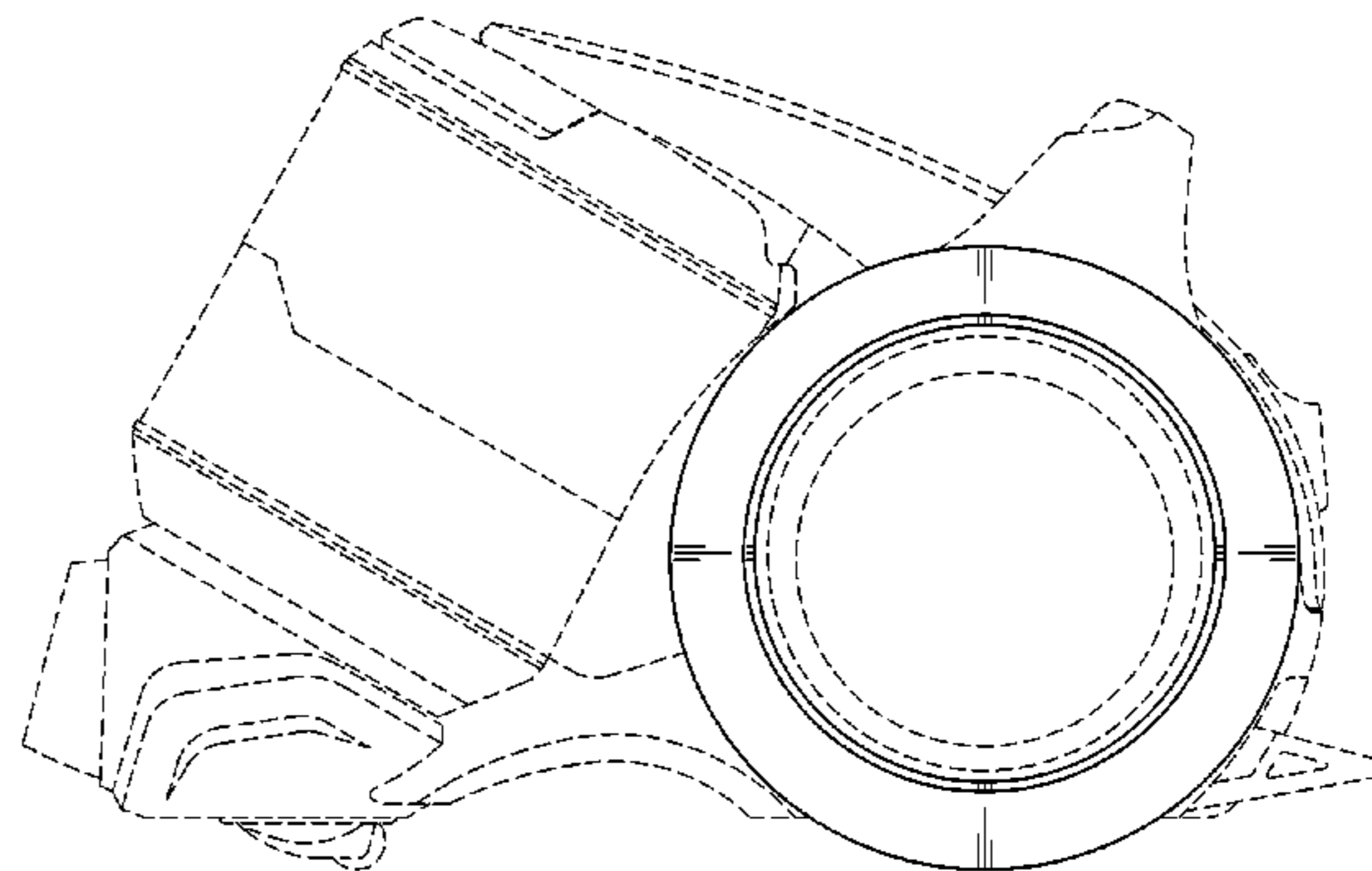
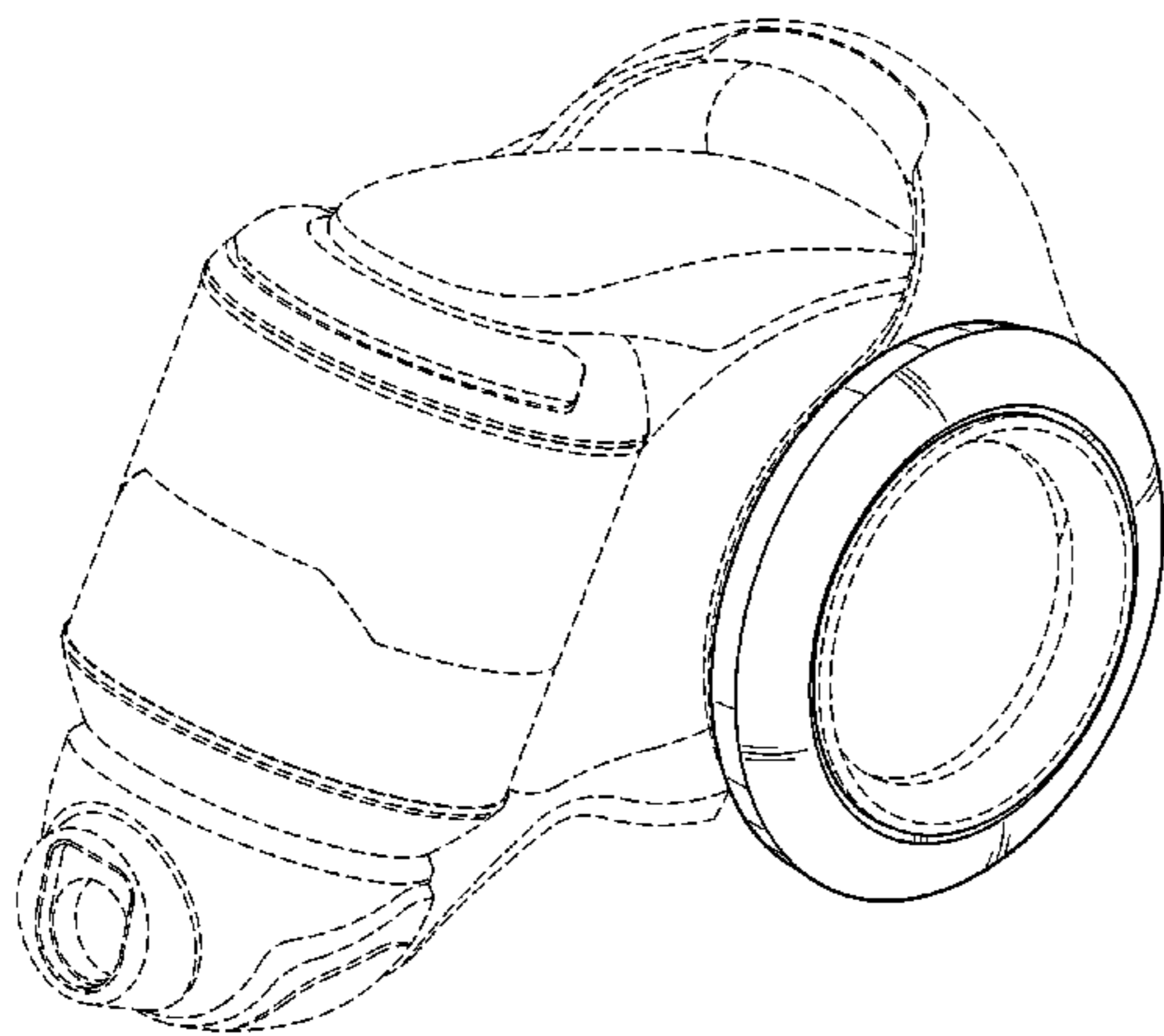


FIG. 1

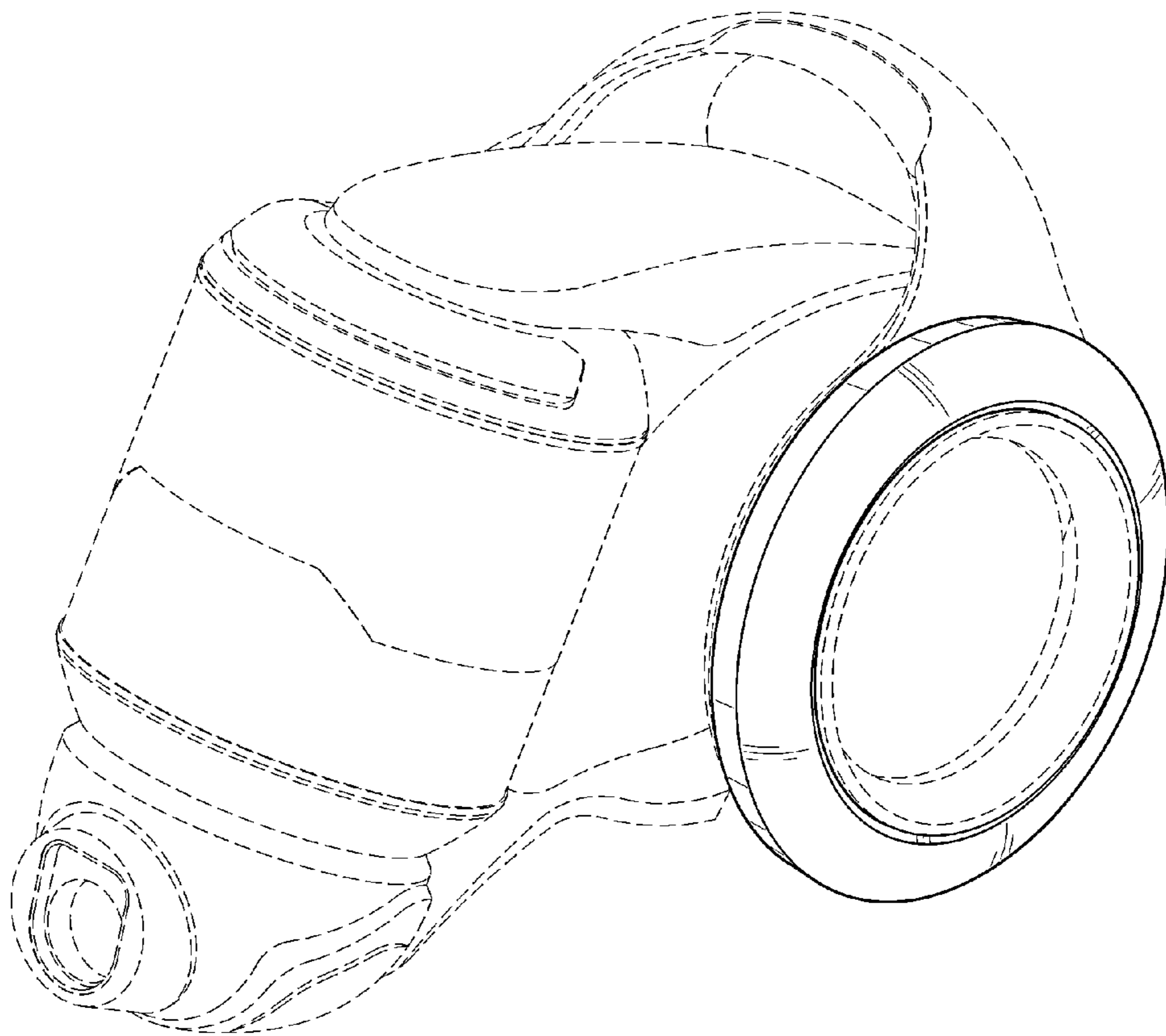


FIG. 2

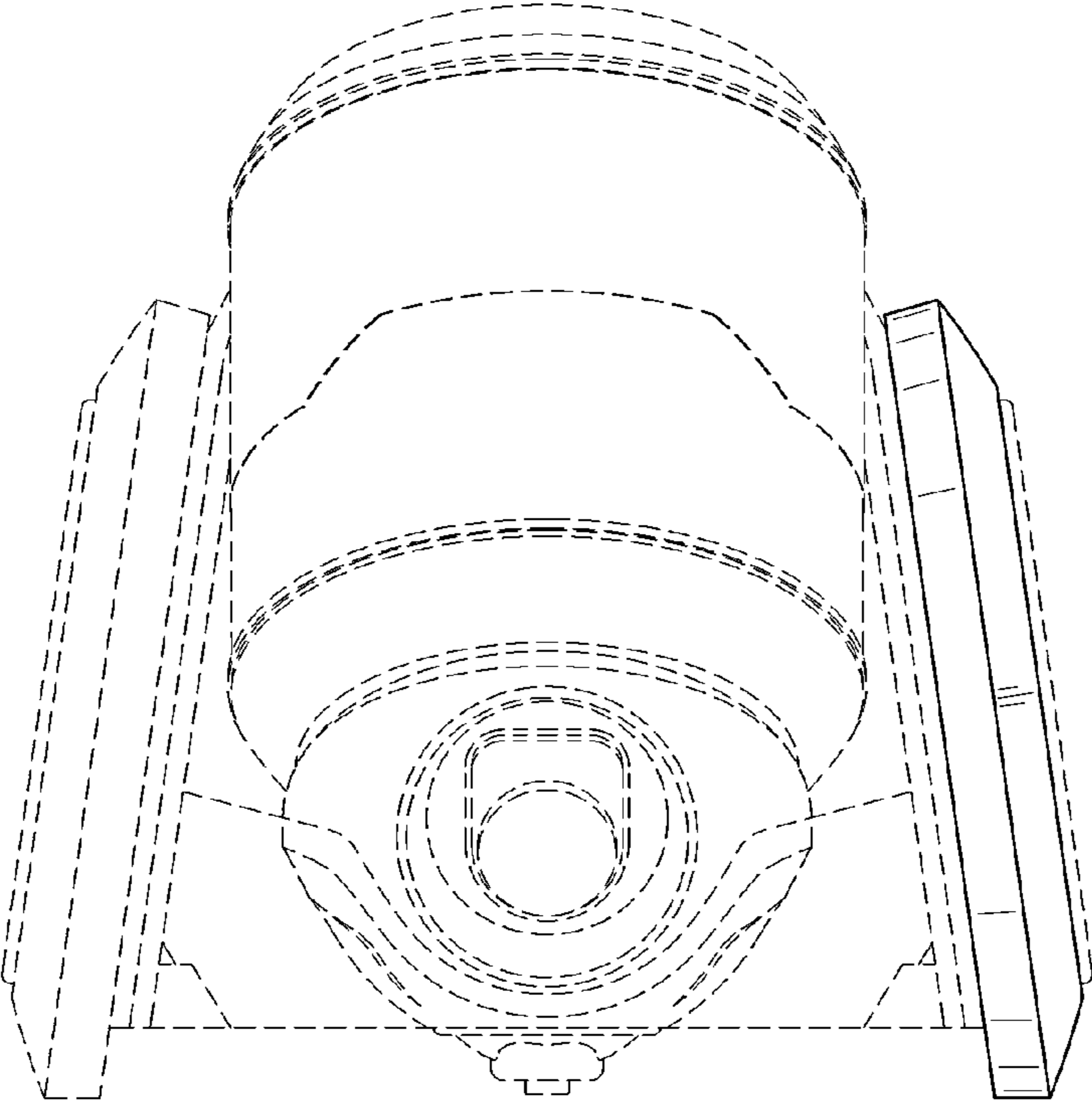


FIG. 3

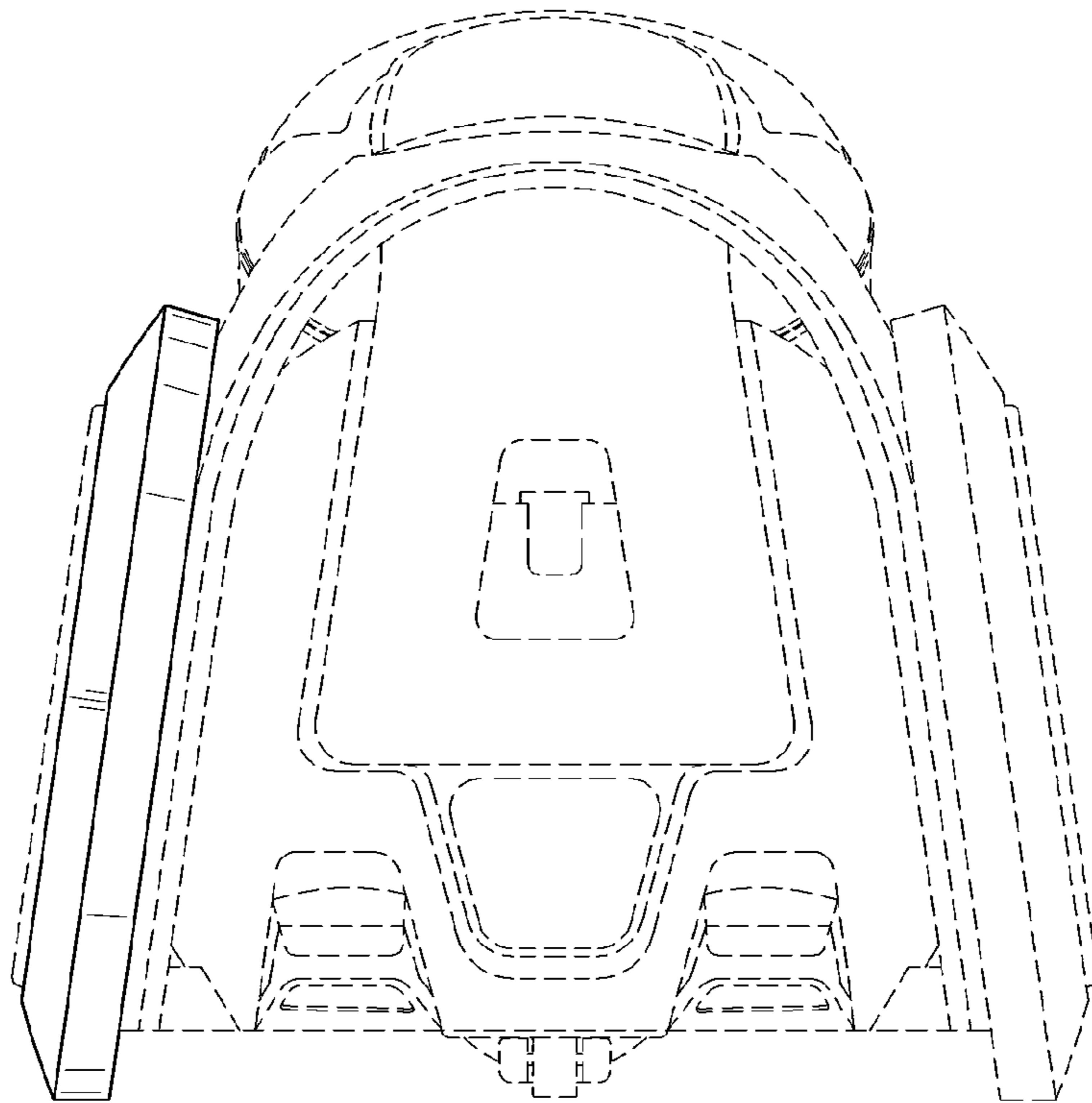


FIG. 4

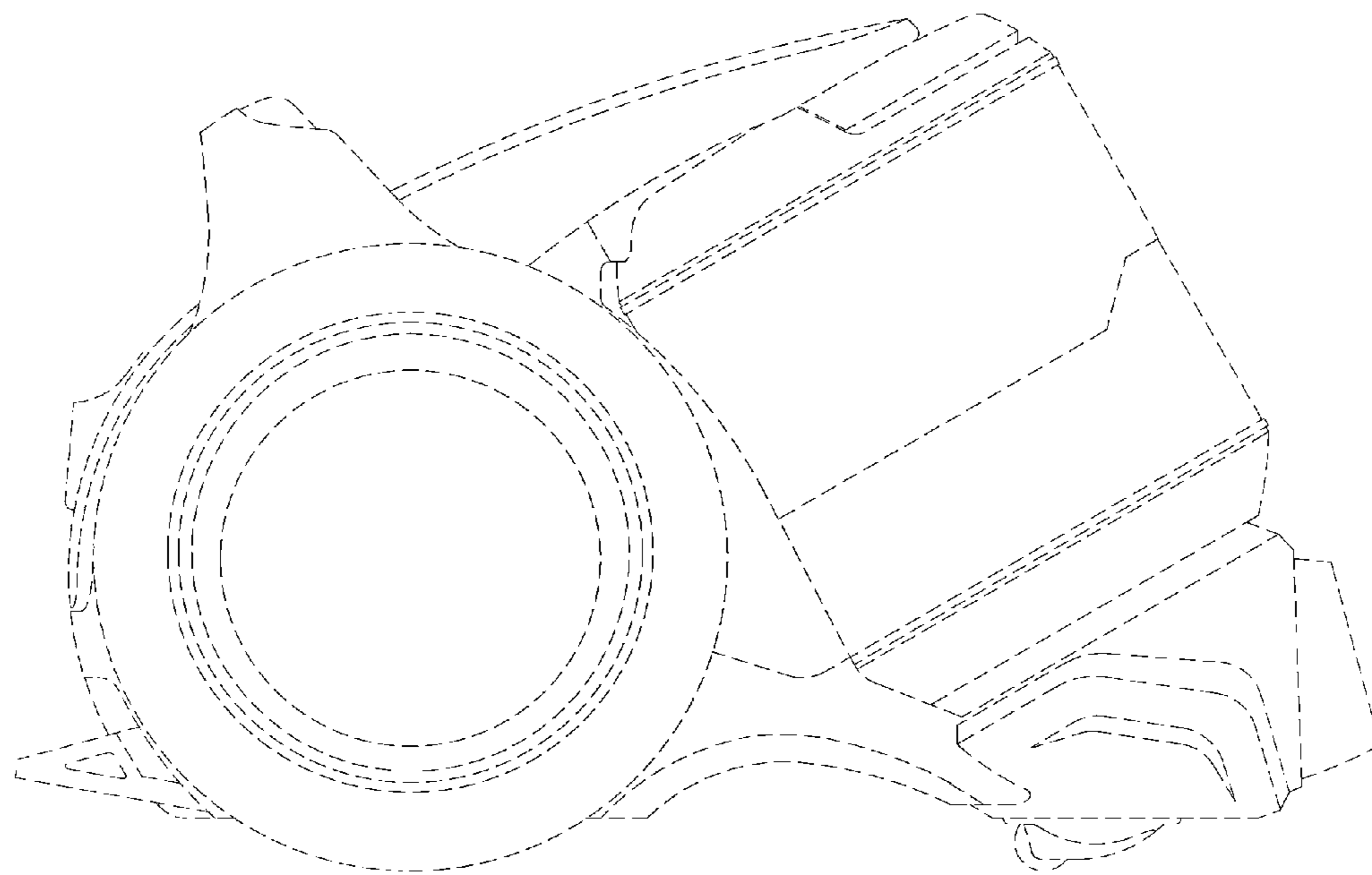


FIG. 5

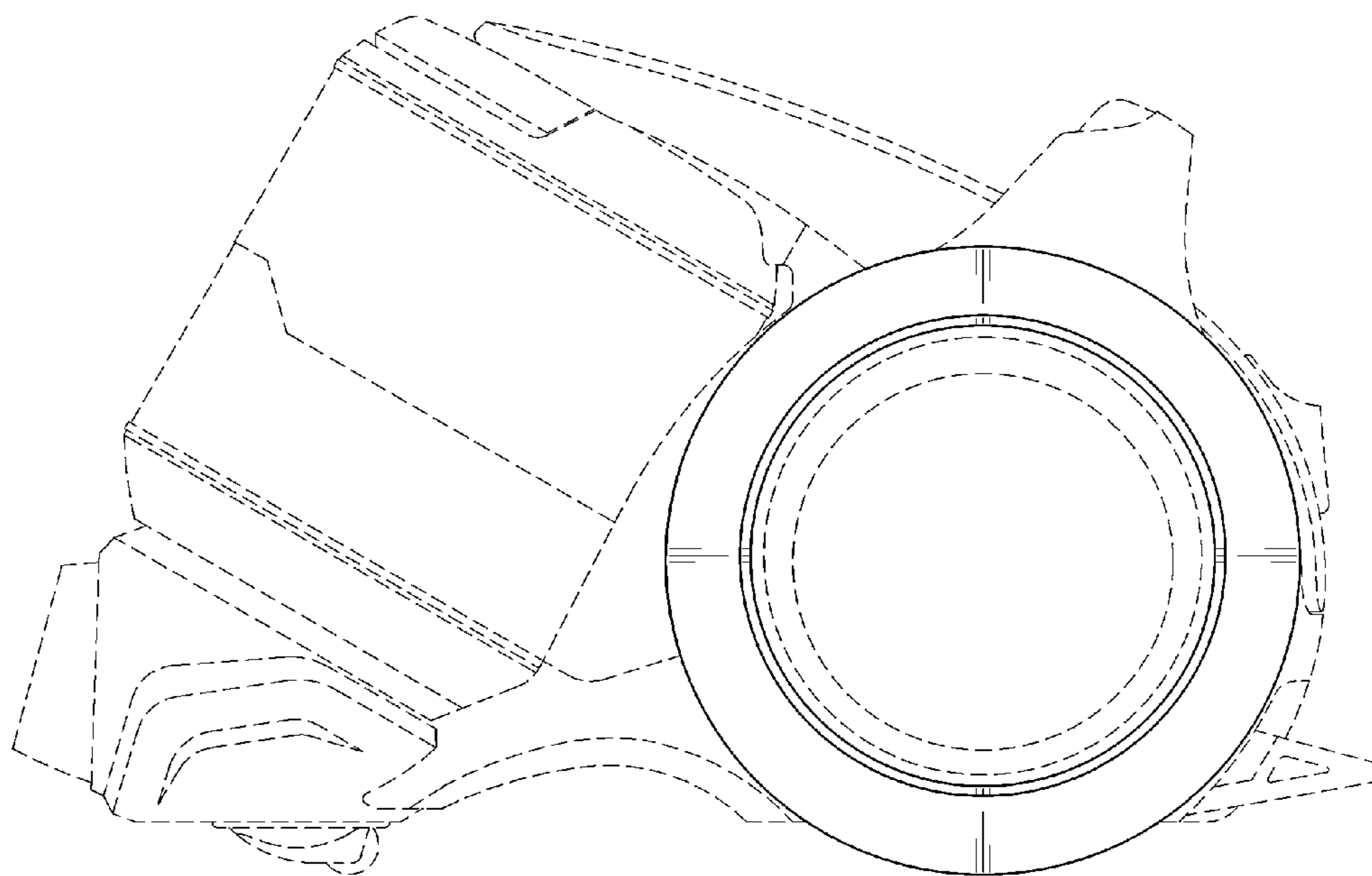


FIG. 6

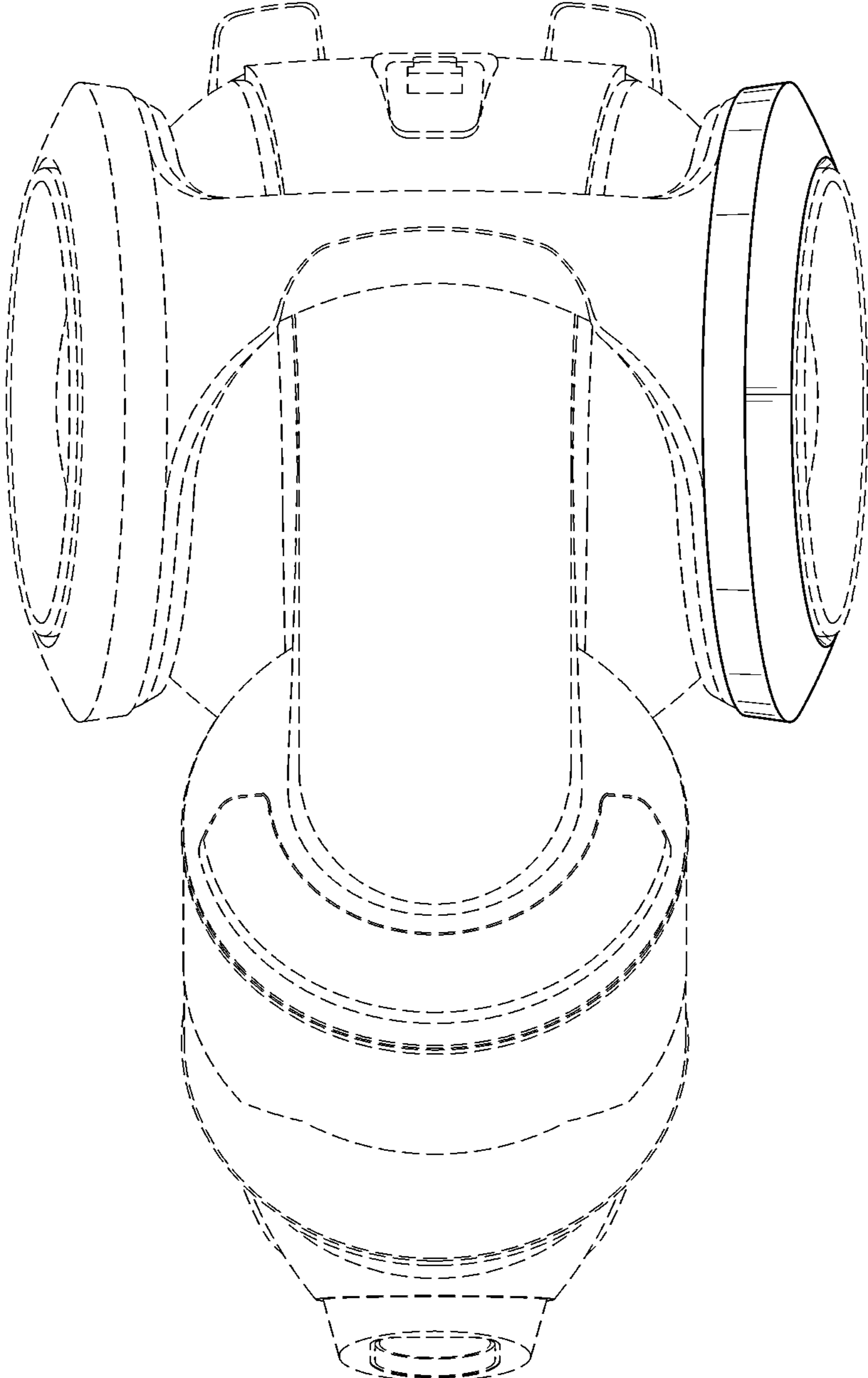


FIG. 7

