



US00D722409S

(12) **United States Design Patent**
Chun et al.

(10) **Patent No.:** **US D722,409 S**

(45) **Date of Patent:** **** Feb. 10, 2015**

(54) **VACUUM CLEANER**

(71) Applicant: **Samsung Electronics Co., Ltd.**,
Suwon-si (KR)

(72) Inventors: **Dong-Won Chun**, Paju-Si (KR);
Sung-Kyung Lee, Sungnam-Si (KR)

(73) Assignee: **Samsung Electronics Co., Ltd.**,
Suwon-si (KR)

(**) Term: **14 Years**

(21) Appl. No.: **29/455,319**

(22) Filed: **May 20, 2013**

(30) **Foreign Application Priority Data**

Nov. 30, 2012 (KR) 30-2012-0057561

(51) **LOC (10) Cl.** **15-05**

(52) **U.S. Cl.**
USPC **D32/21**

(58) **Field of Classification Search**

CPC A47L 7/0038; A47L 5/36-5/367;
A47L 5/24; A47L 5/14; A47L 5/28; A47L
7/0019; A47L 7/0023; A47L 7/0004; A47L
9/1666; A47L 9/1683; A47L 11/34; A47L
11/4072; A47L 9/009; A47L 11/40

USPC D32/21, 23-24, 31
See application file for complete search history.

(56) **References Cited**

U.S. PATENT DOCUMENTS

D417,323	S	*	11/1999	Fujita et al.	D32/21
D446,363	S	*	8/2001	Sato et al.	D32/21
D514,266	S	*	1/2006	Schroter	D32/21
D597,713	S	*	8/2009	Brown et al.	D32/21
D600,415	S	*	9/2009	Svantesson	D32/21
D606,268	S	*	12/2009	Daniels et al.	D32/21
D616,619	S	*	5/2010	Schroeter	D32/21
D617,963	S	*	6/2010	Ayers	D32/21
D664,316	S	*	7/2012	Kim	D32/21
D682,494	S	*	5/2013	Kim et al.	D32/21

* cited by examiner

Primary Examiner — Ruth McInroy

(74) *Attorney, Agent, or Firm* — NSIP Law

(57) **CLAIM**

The ornamental design for a vacuum cleaner, as shown and described.

DESCRIPTION

FIG. 1 is a perspective view of a vacuum cleaner, showing our new design;

FIG. 2 is a front view thereof;

FIG. 3 is a rear view thereof;

FIG. 4 is a left-side view thereof;

FIG. 5 is a right-side view thereof;

FIG. 6 is a top plan view thereof; and,

FIG. 7 is a bottom plan view thereof.

The broken lines illustrating portions of the vacuum cleaner are for environmental purposes only and form no part of the claimed design.

1 Claim, 5 Drawing Sheets

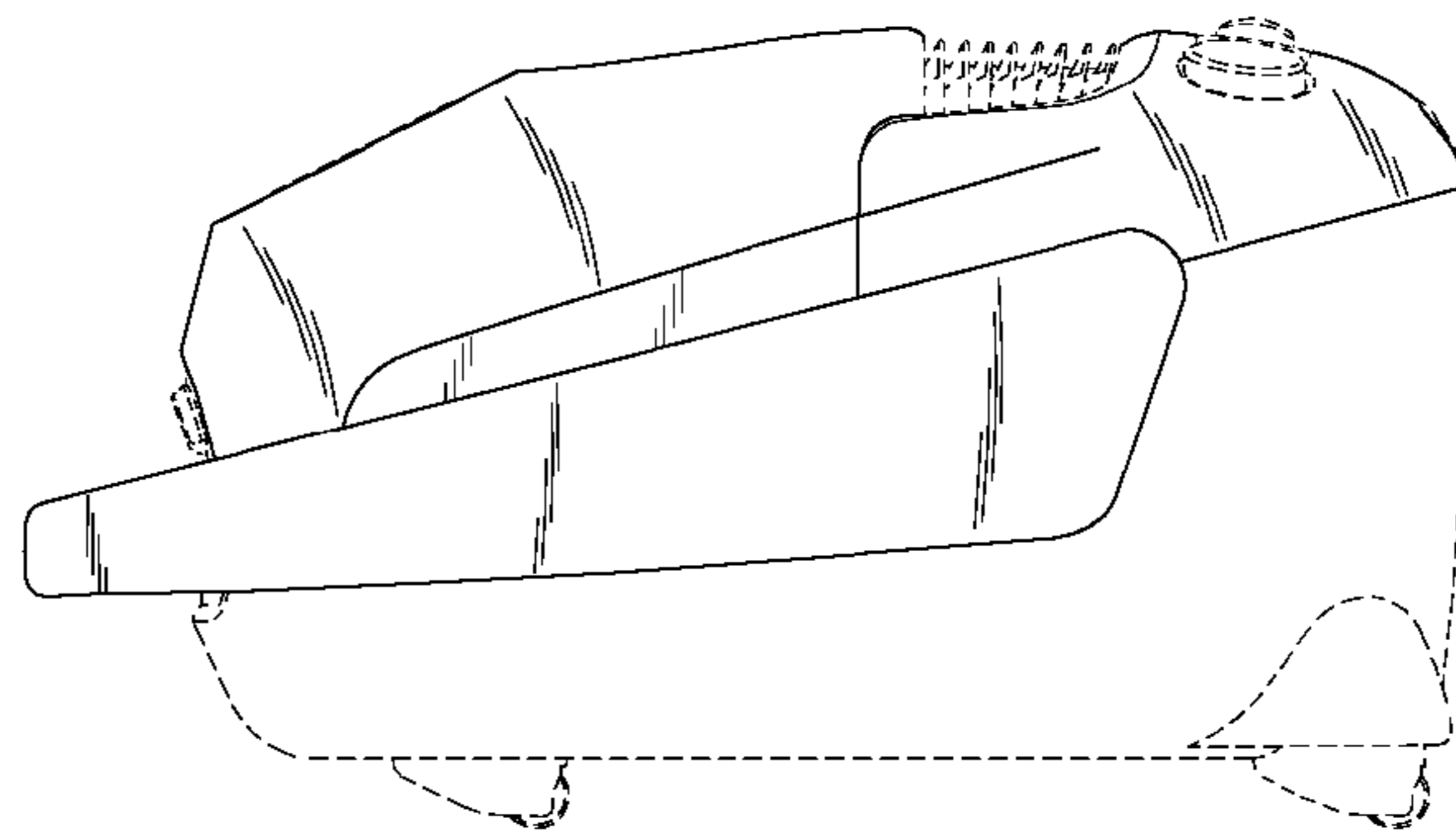
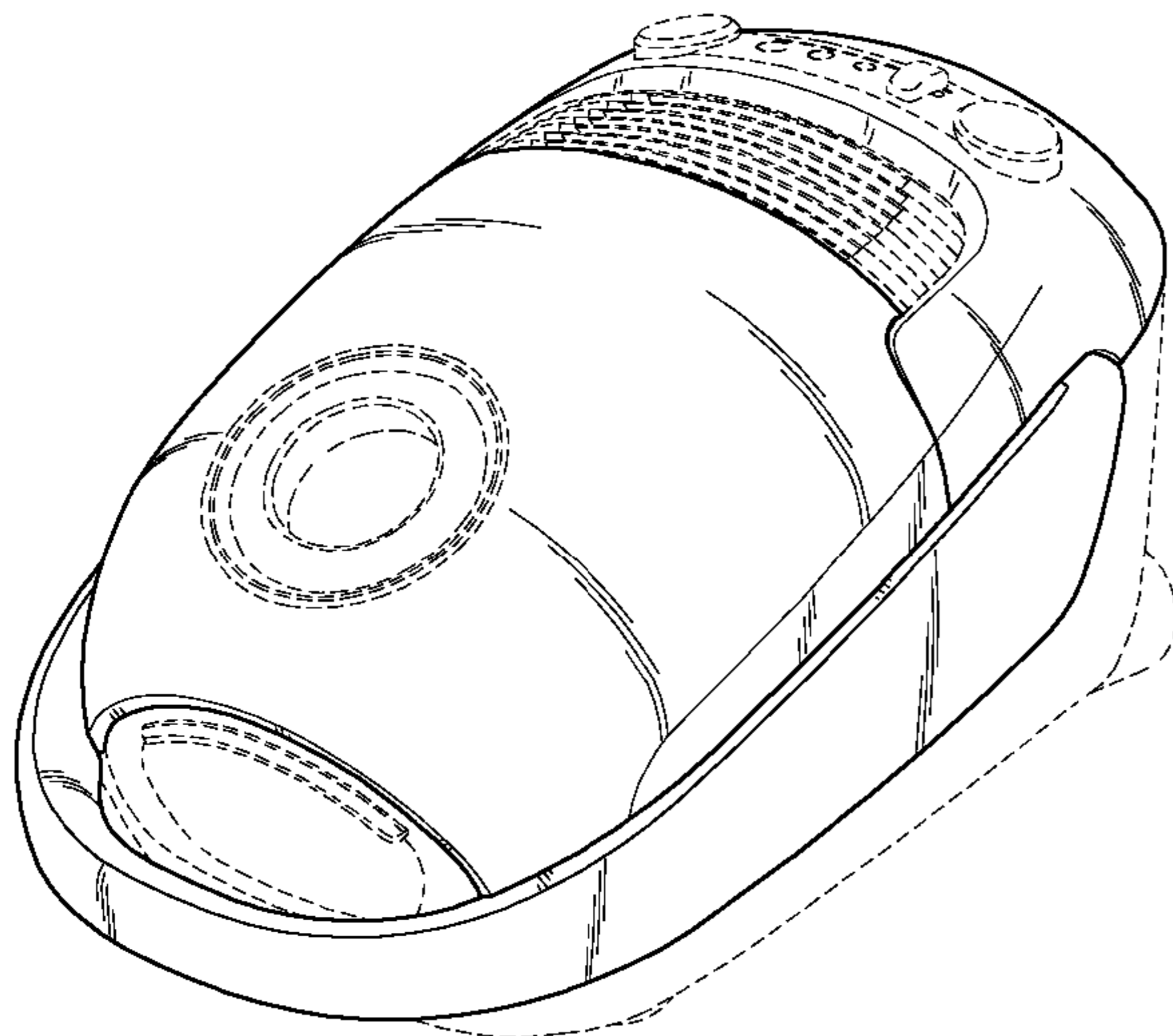


FIG. 1

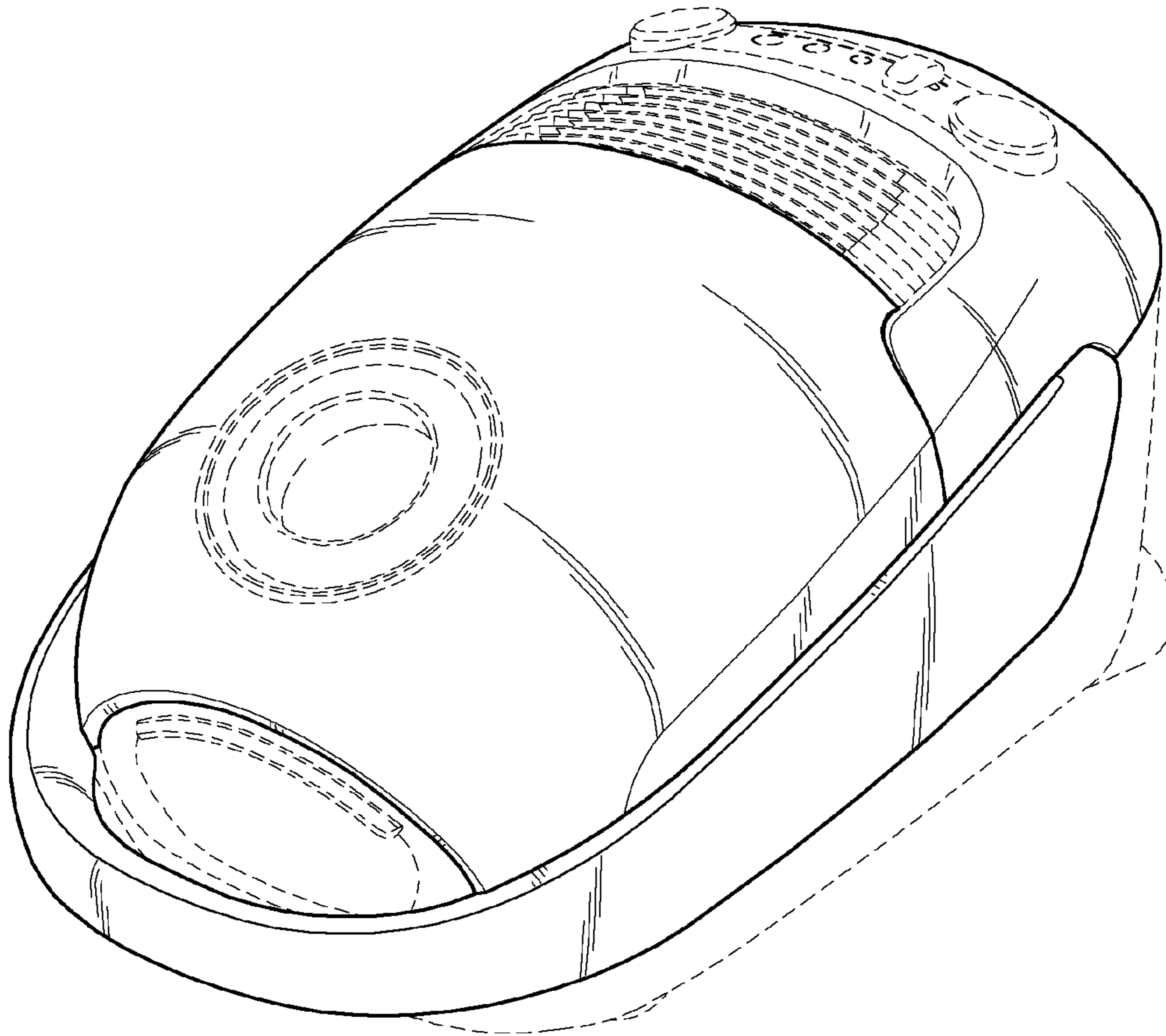


FIG. 2

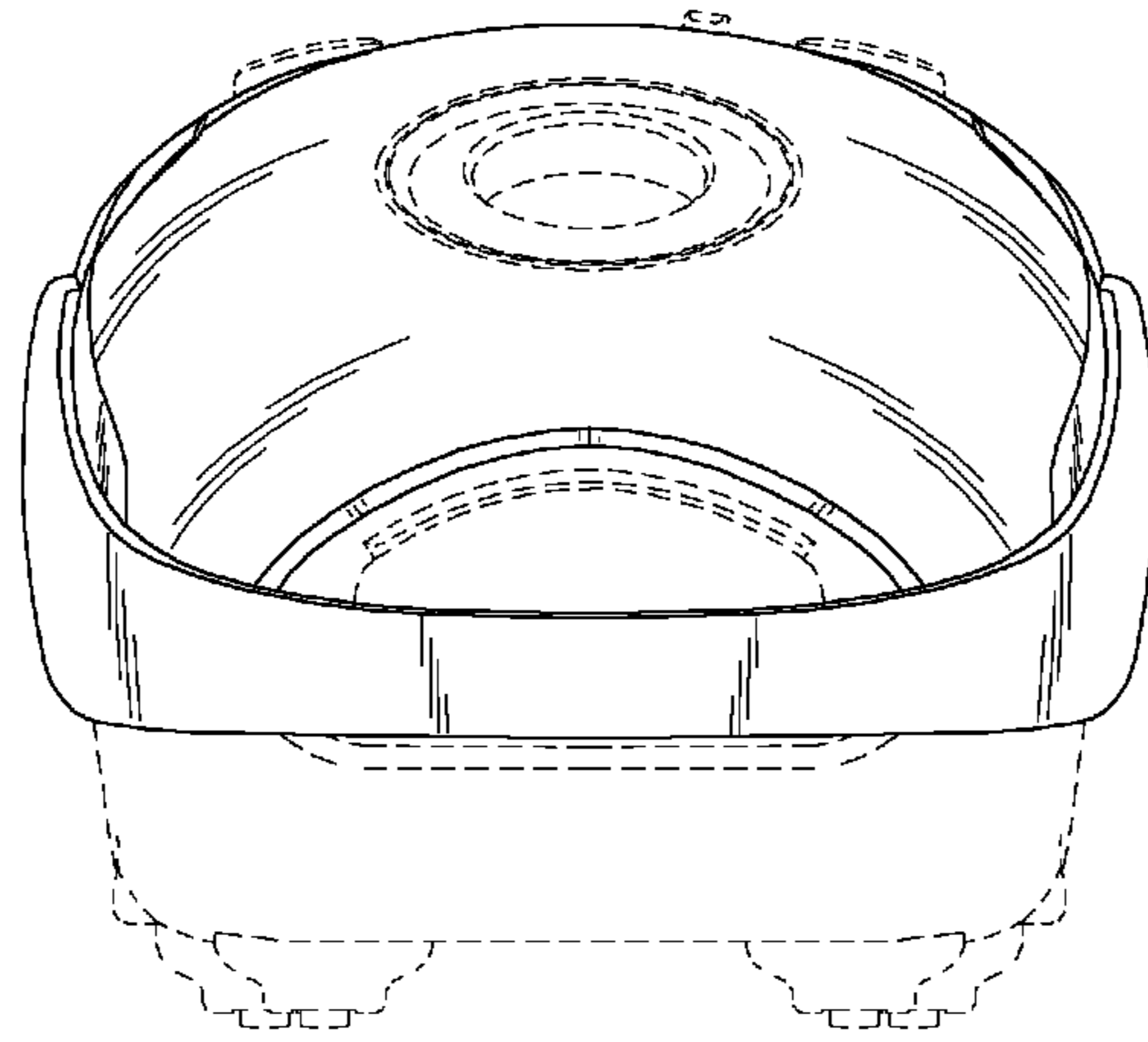


FIG. 3

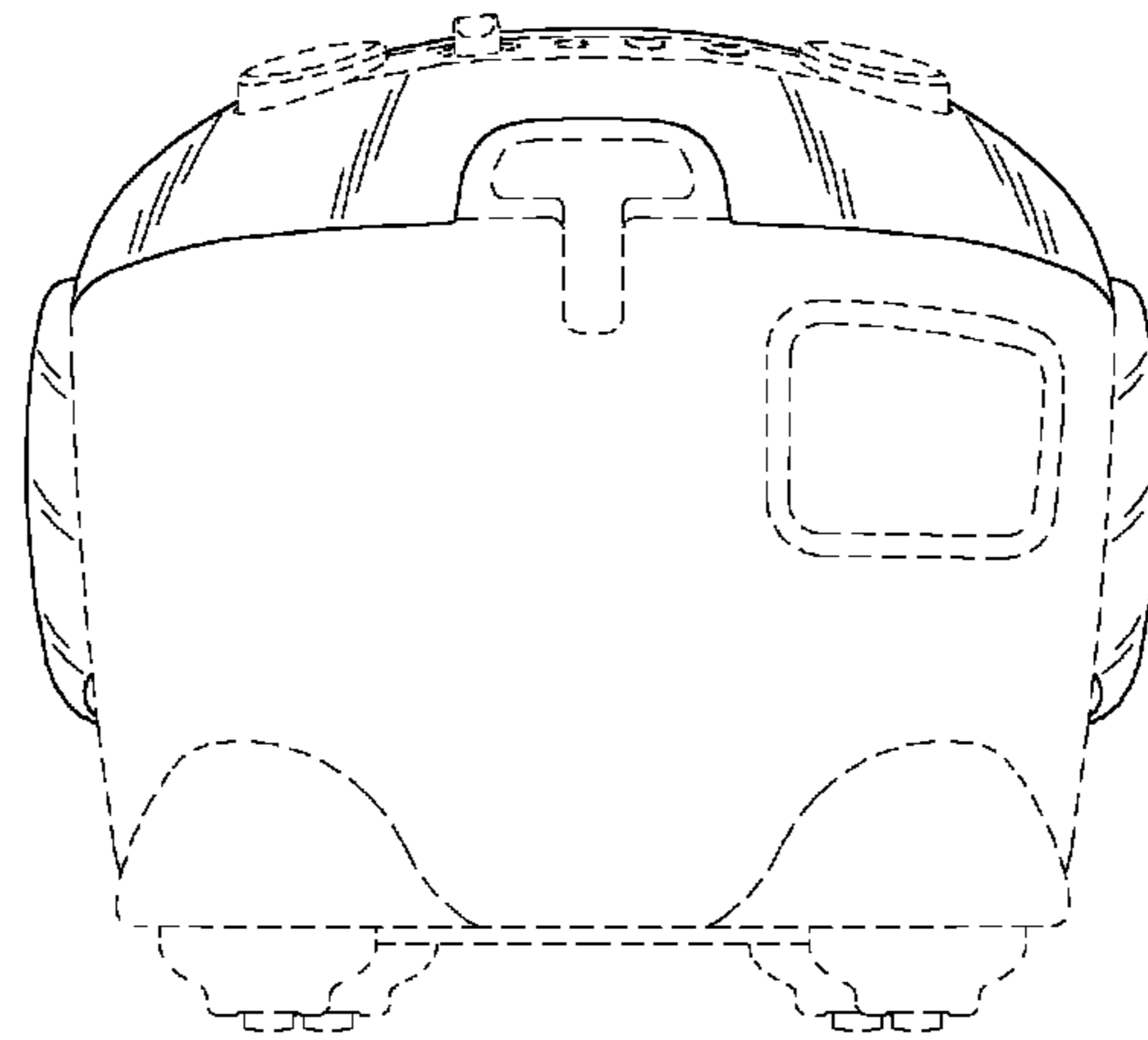


FIG. 4

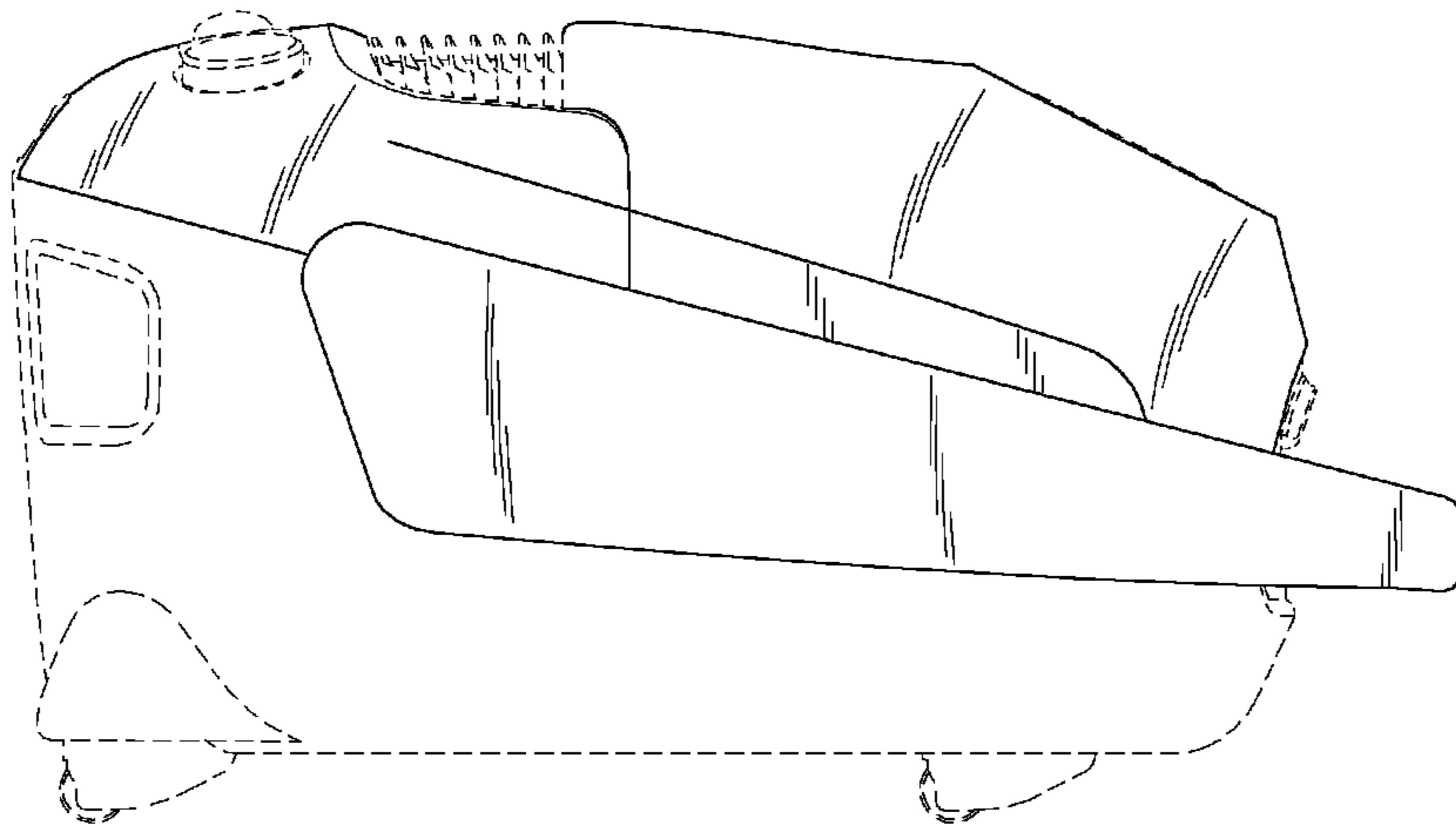


FIG. 5

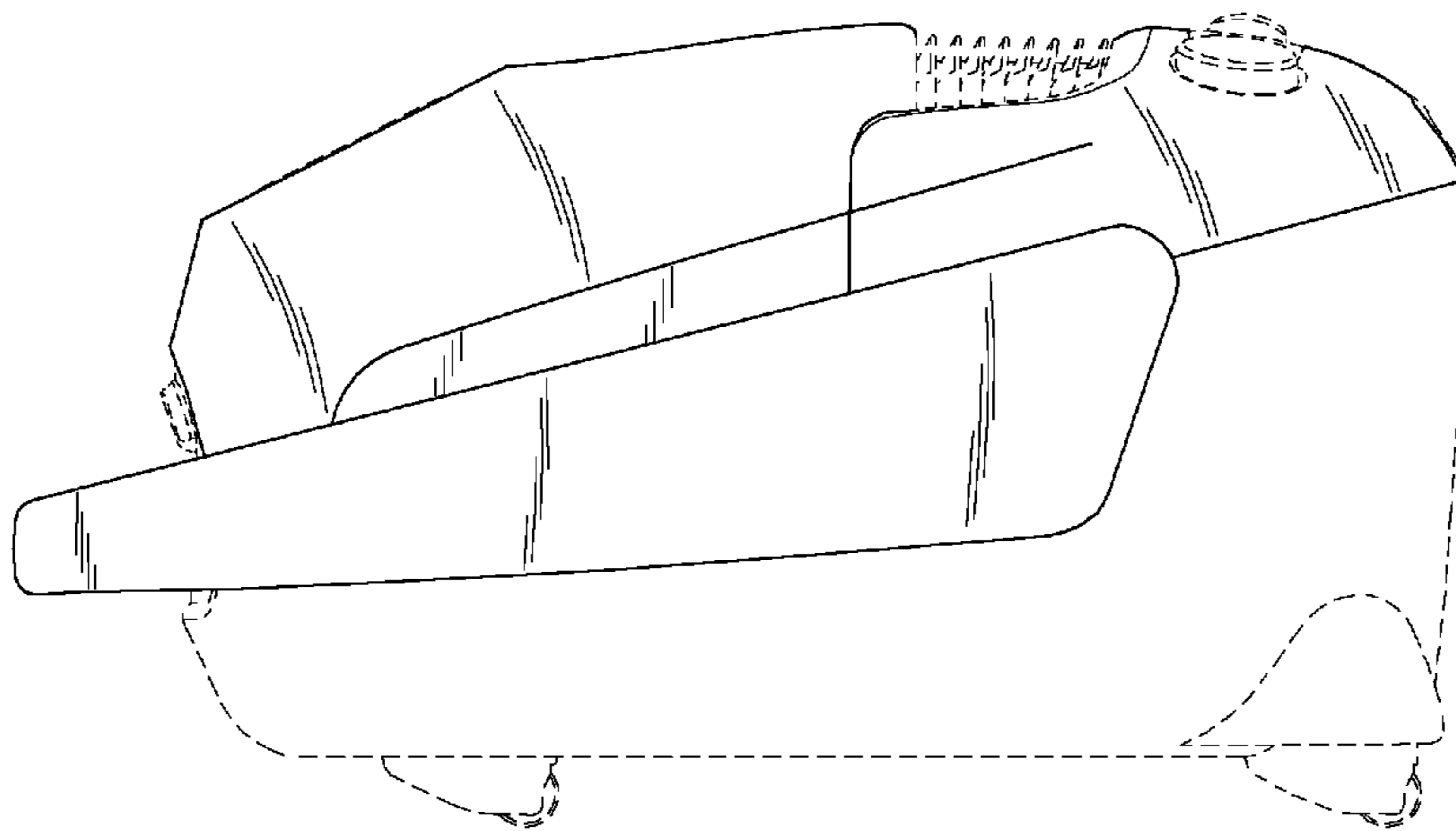


FIG. 6

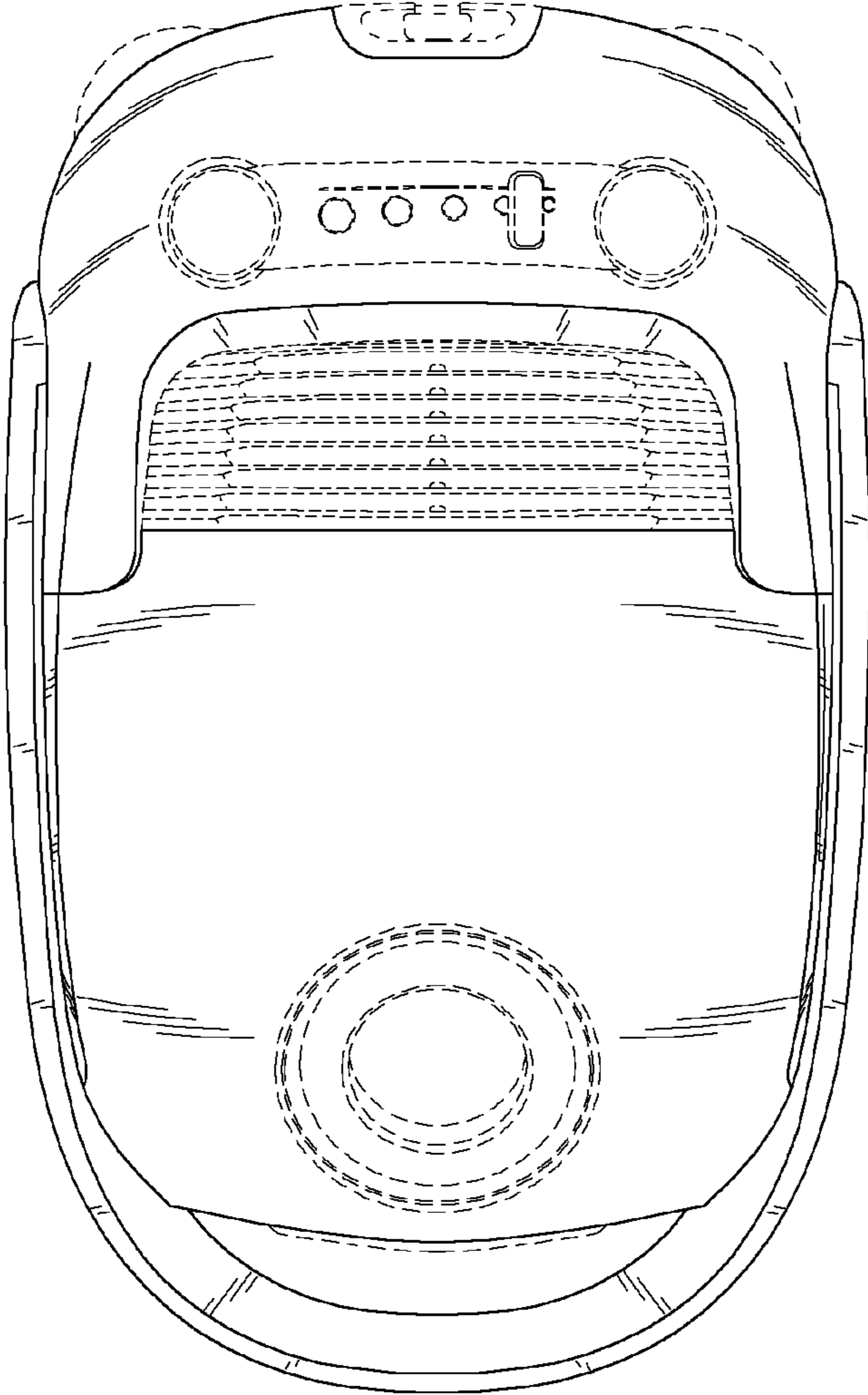


FIG. 7

