



US00D722407S

(12) **United States Design Patent**
Roslonski et al.

(10) **Patent No.:** **US D722,407 S**

(45) **Date of Patent:** **** Feb. 10, 2015**

(54) **PET FEEDING APPARATUS**

(71) Applicants: **Eric Roslonski**, Rochester Hills, MI
(US); **Lindsey Roslonski**, Rochester, MI
(US)

(72) Inventors: **Eric Roslonski**, Rochester Hills, MI
(US); **Lindsey Roslonski**, Rochester, MI
(US)

(**) Term: **14 Years**

(21) Appl. No.: **29/451,533**

(22) Filed: **Apr. 3, 2013**

(51) **LOC (10) Cl.** **30-03**

(52) **U.S. Cl.**
USPC **D30/130**

(58) **Field of Classification Search**
USPC D30/121, 122, 129-133; 119/61.5,
119/51.01, 61.56, 51.03, 59, 62, 63, 51.5,
119/57.8, 74, 61.54, 61.55; 312/204;
248/151, 188; 108/156, 153.1-157;
220/23.87, 630, 737, 743, 9.4, 495.01,
220/574, 212, 255, 23.83; 206/515;
D7/586, 543, 550.1, 587, 505, 584,
D7/545, 500, 553.1-553.8, 546, 555, 556,
D7/504, 565, 562, 602; D9/429; 43/109;
D22/122; 99/430, DIG. 15

See application file for complete search history.

(56) **References Cited**

U.S. PATENT DOCUMENTS

| | | | | | | |
|----------|---|---|---------|----------------|-------|---------|
| D229,073 | S | * | 11/1973 | Brickel | | D30/130 |
| D259,669 | S | * | 6/1981 | Peterson | | D30/130 |
| D269,045 | S | * | 5/1983 | Easton | | D30/130 |
| D326,742 | S | * | 6/1992 | Tart | | D30/130 |
| D362,090 | S | * | 9/1995 | Baldwin et al. | | D30/130 |
| D386,838 | S | * | 11/1997 | Pini et al. | | D30/133 |
| D541,488 | S | * | 4/2007 | Marsh | | D30/130 |
| D659,297 | S | * | 5/2012 | Stygstra | | D30/130 |
| D659,913 | S | * | 5/2012 | Spectre et al. | | D30/130 |

* cited by examiner

Primary Examiner — Susan Moon Lee

(74) *Attorney, Agent, or Firm* — Gifford, Krass, Sprinkle,
Anderson & Citkowski, P.C.

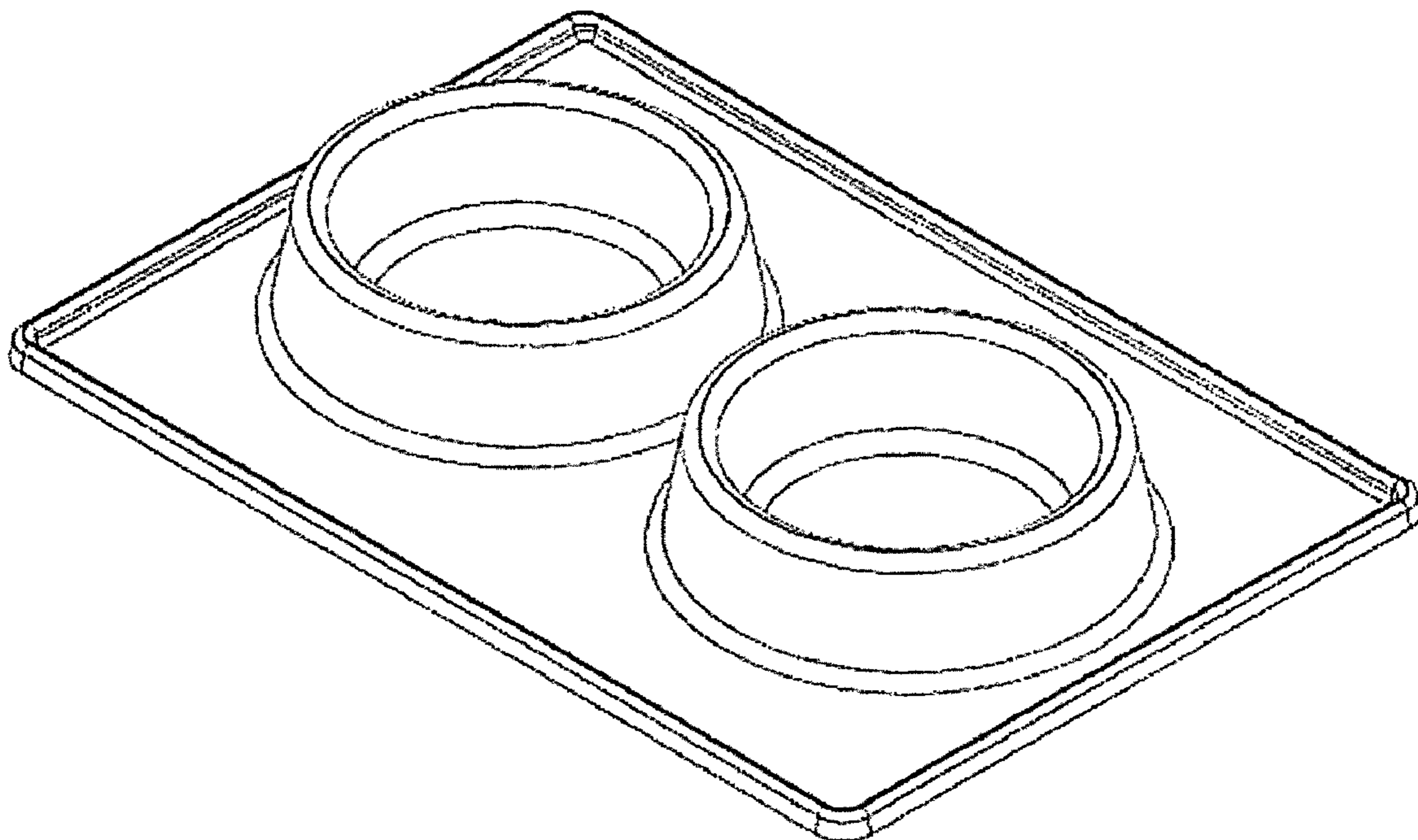
(57) **CLAIM**

We claim the ornamental design for a pet feeding apparatus,
as shown and described.

DESCRIPTION

FIG. 1 is a top perspective view of a pet feeding apparatus in
accordance with the present design;
FIG. 2 is a top plan view thereof;
FIG. 3 is a side elevation view thereof, the opposite side being
a mirror image thereof;
FIG. 4 is an end elevation view thereof, the opposite end being
a mirror image thereof;
FIG. 5 is a bottom view thereof; and,
FIG. 6 is a bottom perspective view thereof.

1 Claim, 3 Drawing Sheets



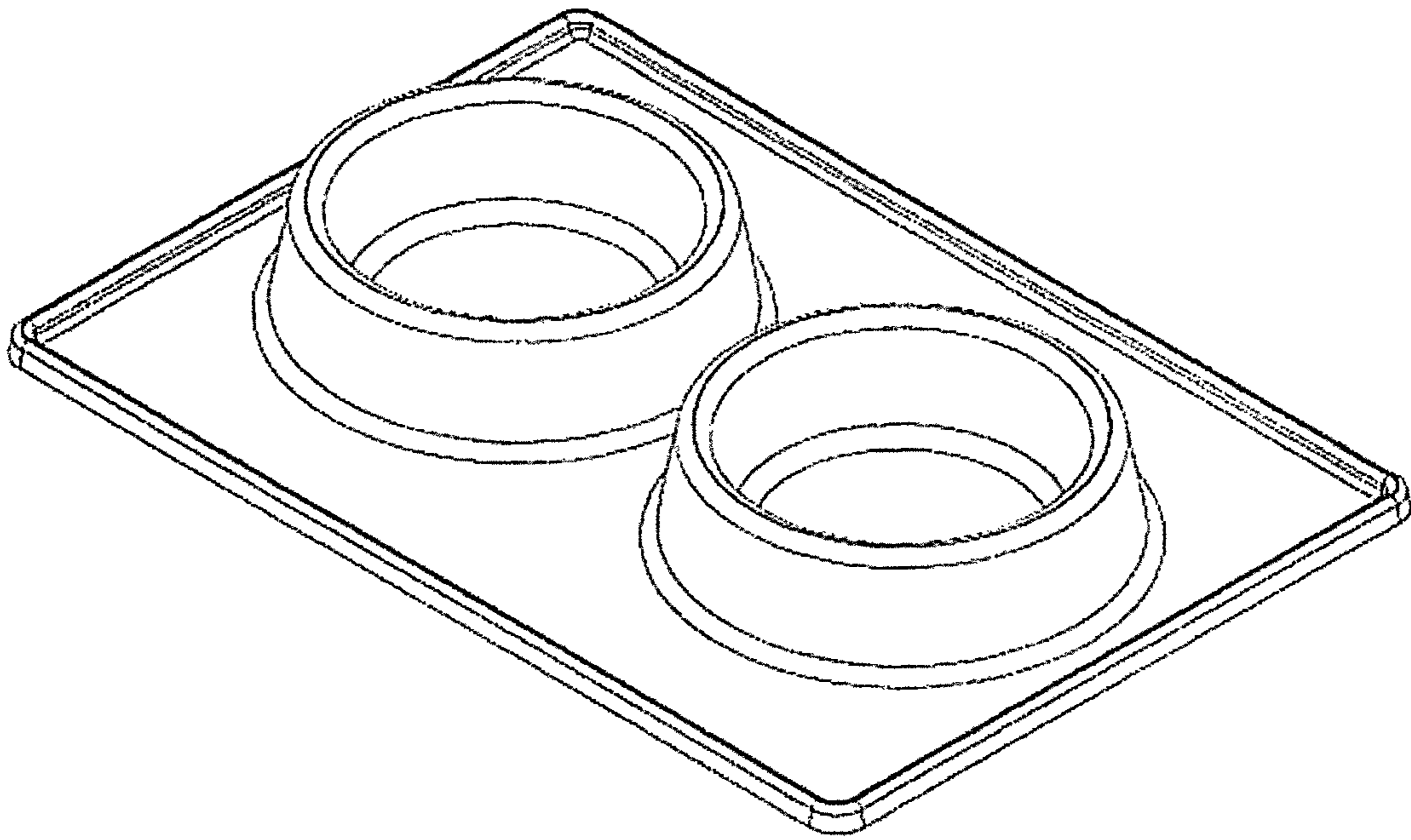


FIG. 1

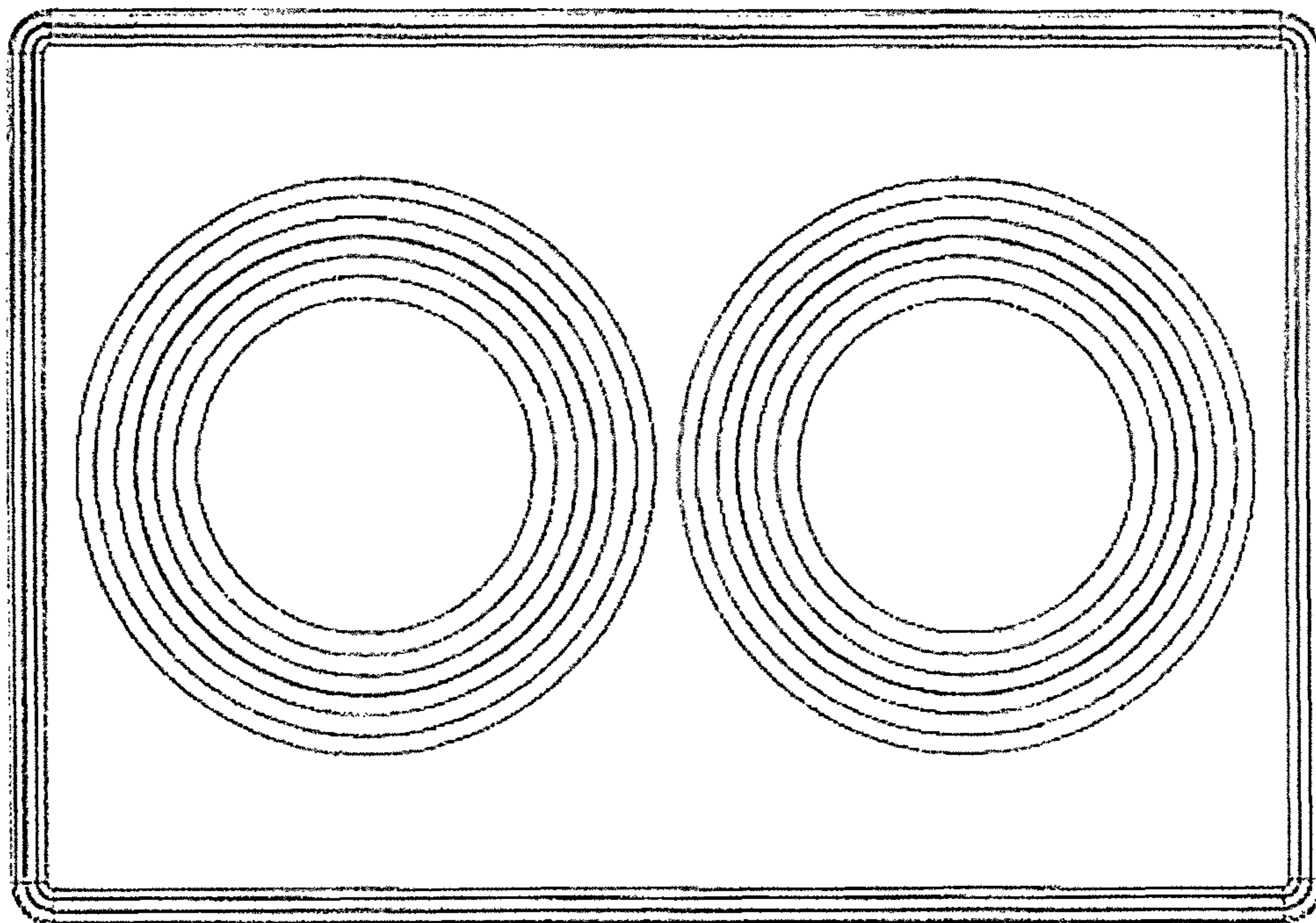


FIG. 2

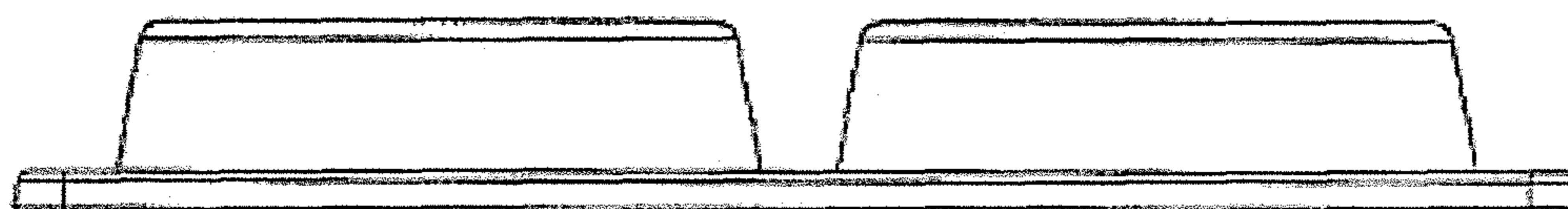


FIG. 3

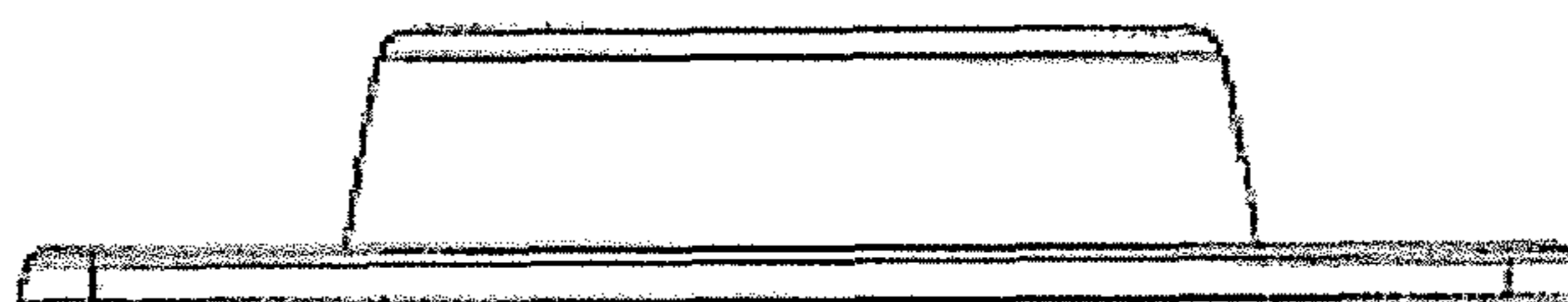


FIG. 4

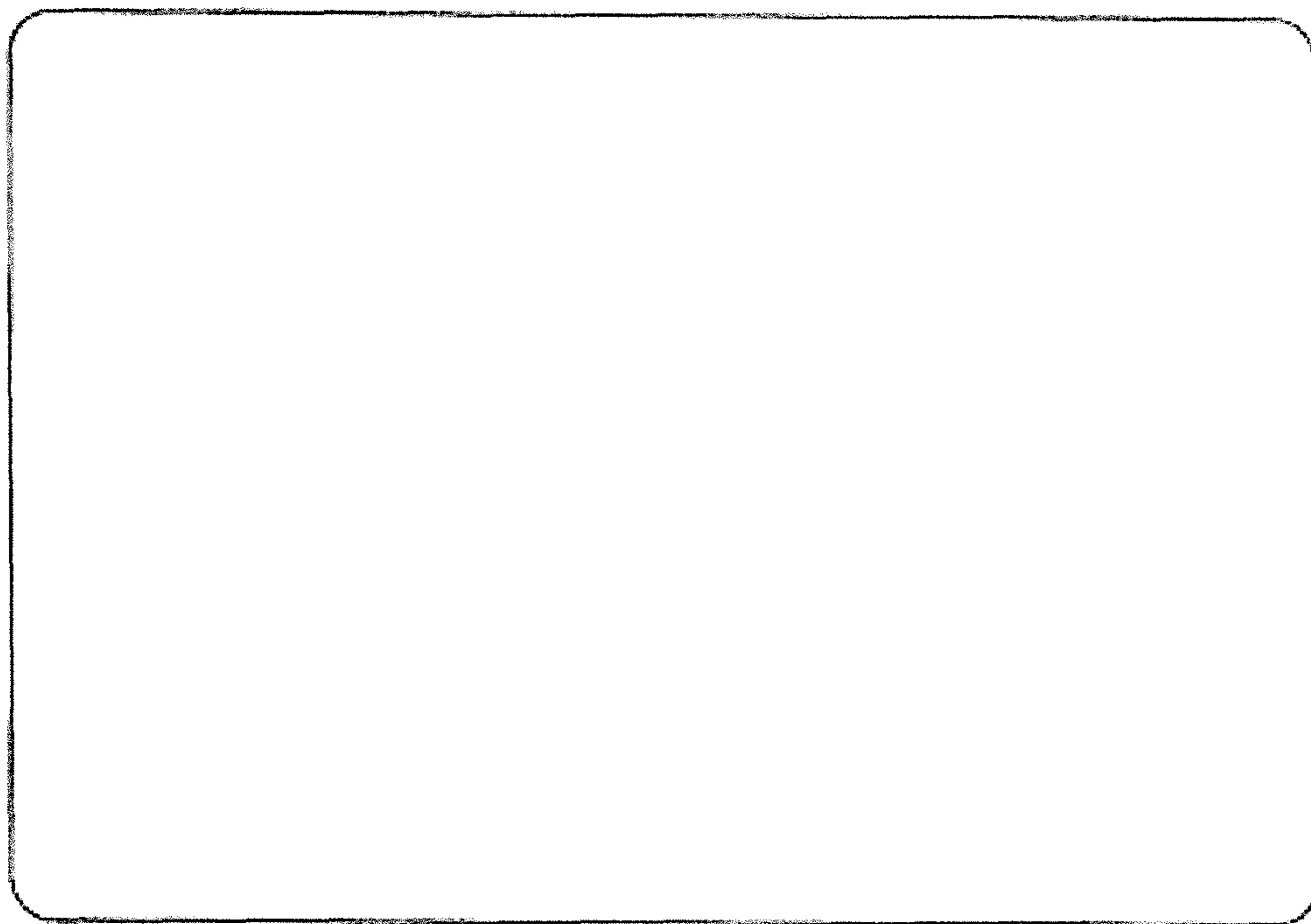


FIG. 5

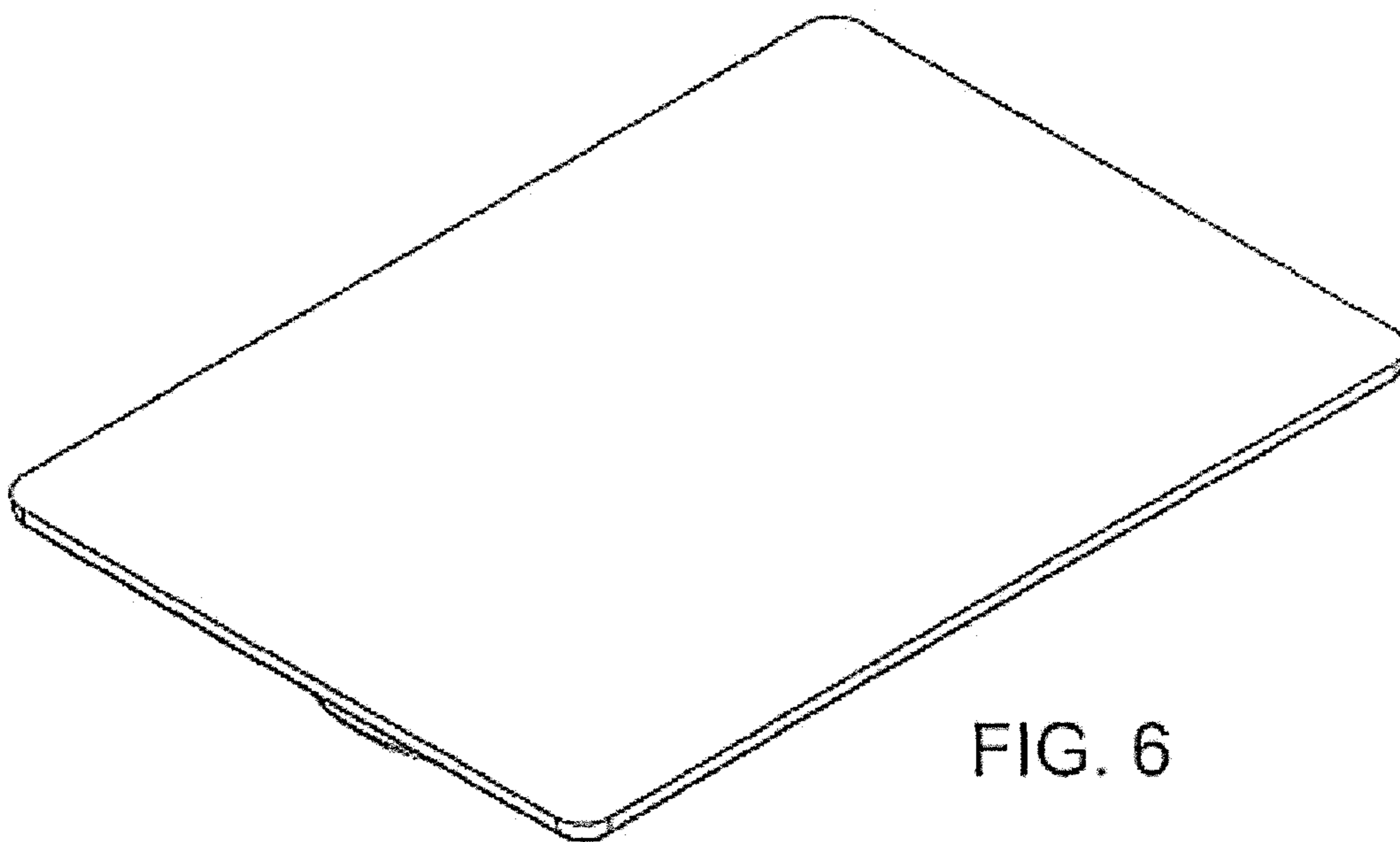


FIG. 6