



US00D722406S

(12) **United States Design Patent**
Greenfield

(10) **Patent No.:** **US D722,406 S**

(45) **Date of Patent:** **** Feb. 10, 2015**

(54) **COMPACT**

(75) **Inventor:** **Ronald J. Greenfield**, South
Huntington, NY (US)

(73) **Assignee:** **CPP Global**, Stratford, CT (US)

(**) **Term:** **14 Years**

(21) **Appl. No.:** **29/411,592**

(22) **Filed:** **Jan. 24, 2012**

(51) **LOC (10) Cl.** **28-03**

(52) **U.S. Cl.**
USPC **D28/83**

(58) **Field of Classification Search**

CPC A45D 33/006; A45D 33/003; A45D
33/04-33/16; A45D 33/025; A45D 33/02;
A45D 33/20; A45D 33/22; A45D 33/24;
A45D 33/26; A45D 33/28; A45D 33/18;
A45D 40/22; A45D 40/222; A45D 40/24;
A45D 42/02
USPC D28/64.1-64.7, 76-84; 206/581, 823;
132/286-318; D9/503-505, 421, 428,
D9/447

See application file for complete search history.

(56) **References Cited**

U.S. PATENT DOCUMENTS

6,831,541 B1 * 12/2004 Seidler 206/818
7,828,000 B2 * 11/2010 Lee 132/287
D682,474 S * 5/2013 Owen et al. D28/83
D682,475 S * 5/2013 Owen et al. D28/83

8,590,545 B2 * 11/2013 Won 132/293
2011/0226773 A1 * 9/2011 Rundberg 220/345.1
2014/0138378 A1 * 5/2014 Lequeux 220/23.83

* cited by examiner

Primary Examiner — Jennifer Rivard

(74) *Attorney, Agent, or Firm* — Gifford, Krass, Sprinkle,
Anderson & Citkowski, P.C.; Weston R. Gould

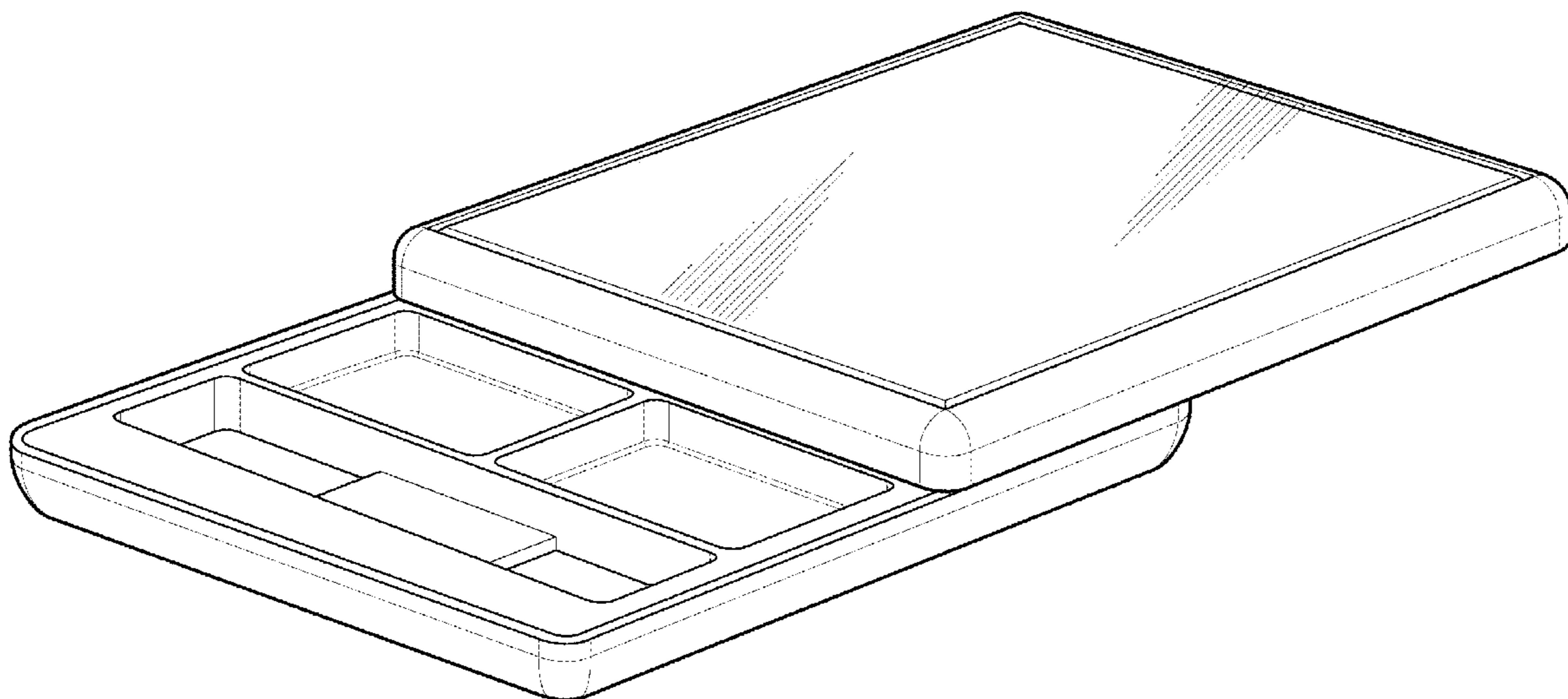
(57) **CLAIM**

The ornamental design for a compact, as shown and
described.

DESCRIPTION

FIG. 1 is a front-top perspective view of a compact, showing
our new design in a fully closed position;
FIG. 2 is a front view thereof, showing our new design in a
fully closed position;
FIG. 3 is a right side view thereof, showing our new design in
a fully closed position;
FIG. 4 is a rear view thereof, showing our new design in a
fully closed position;
FIG. 5 is a left side view thereof, showing our new design in
a fully closed position;
FIG. 6 is a top view thereof, showing our new design in a fully
closed position;
FIG. 7 is a bottom view thereof, showing our new design in a
fully closed position;
FIG. 8 is a front perspective view thereof, showing our new
design in a fully open position; and,
FIG. 9 is a bottom perspective view thereof, showing our new
design in a fully open position.

1 Claim, 6 Drawing Sheets



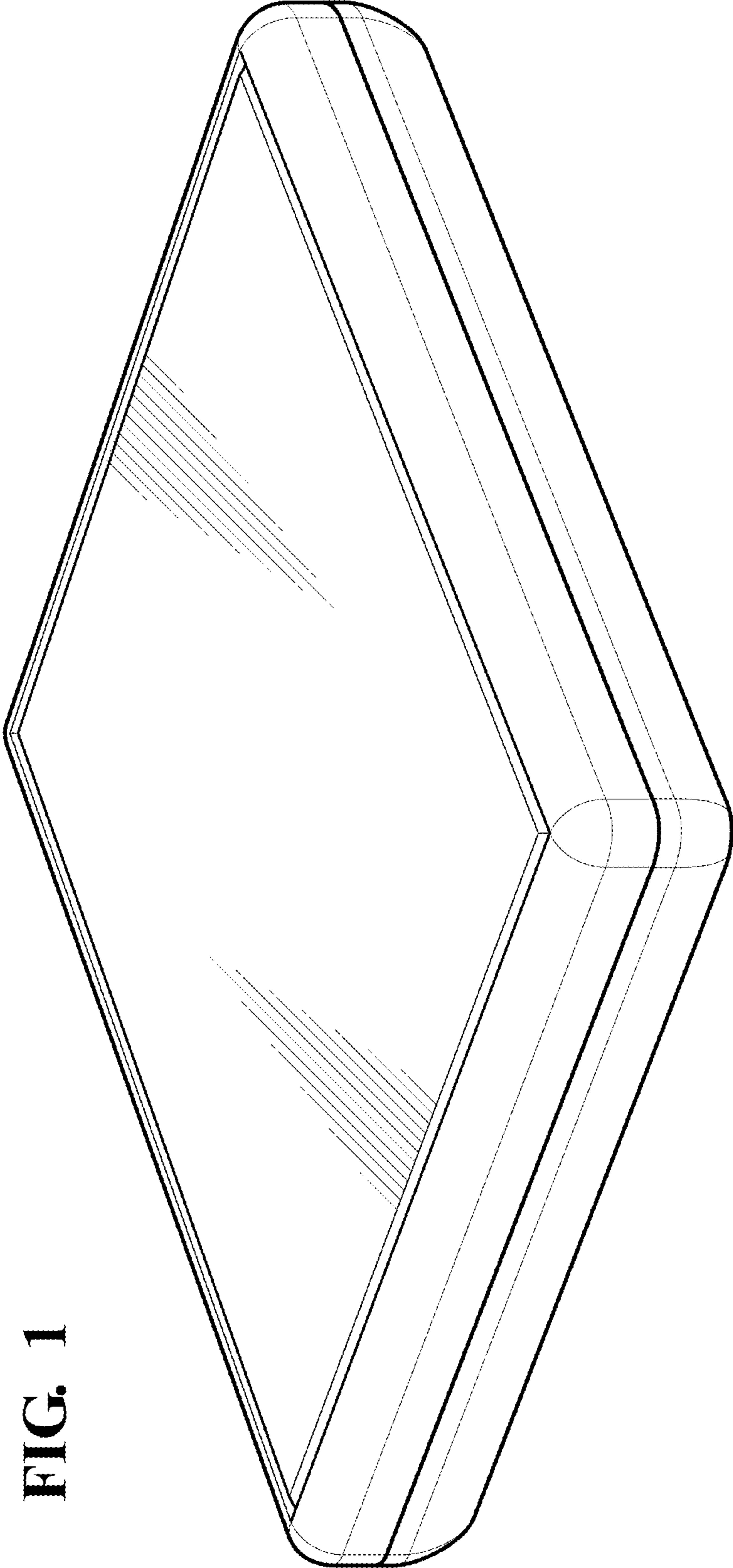


FIG. 1

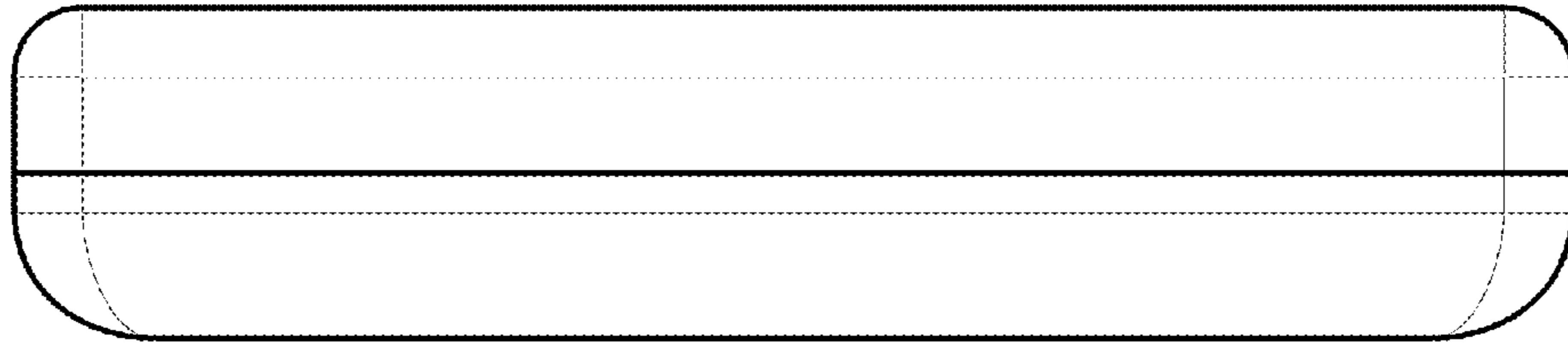


FIG. 2



FIG. 3

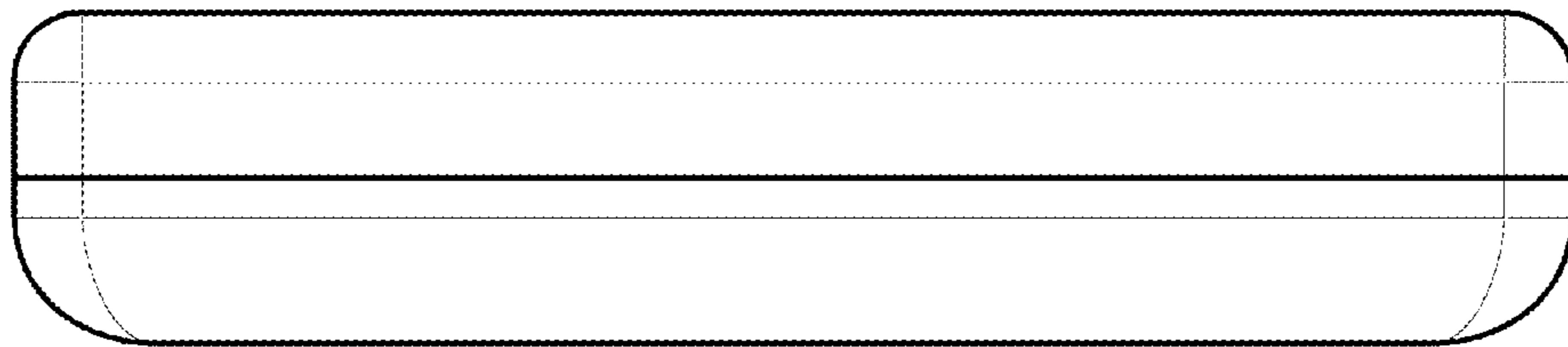


FIG. 4

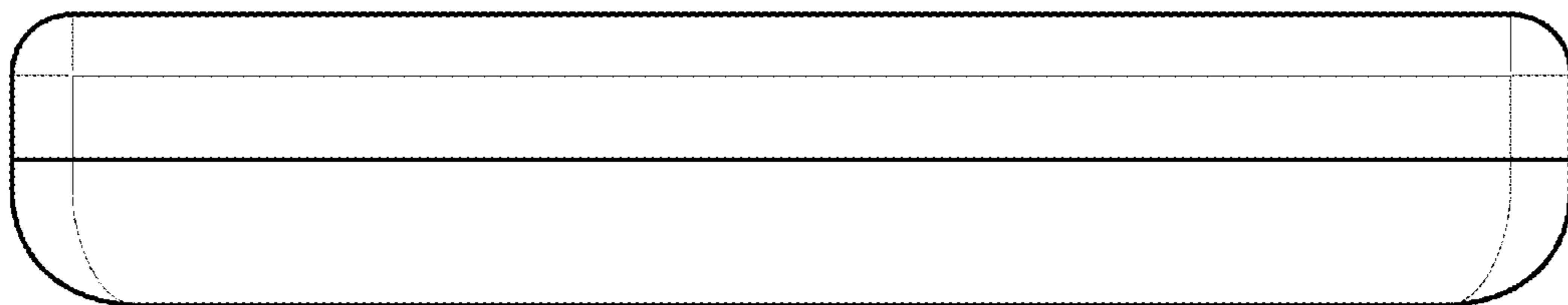


FIG. 5

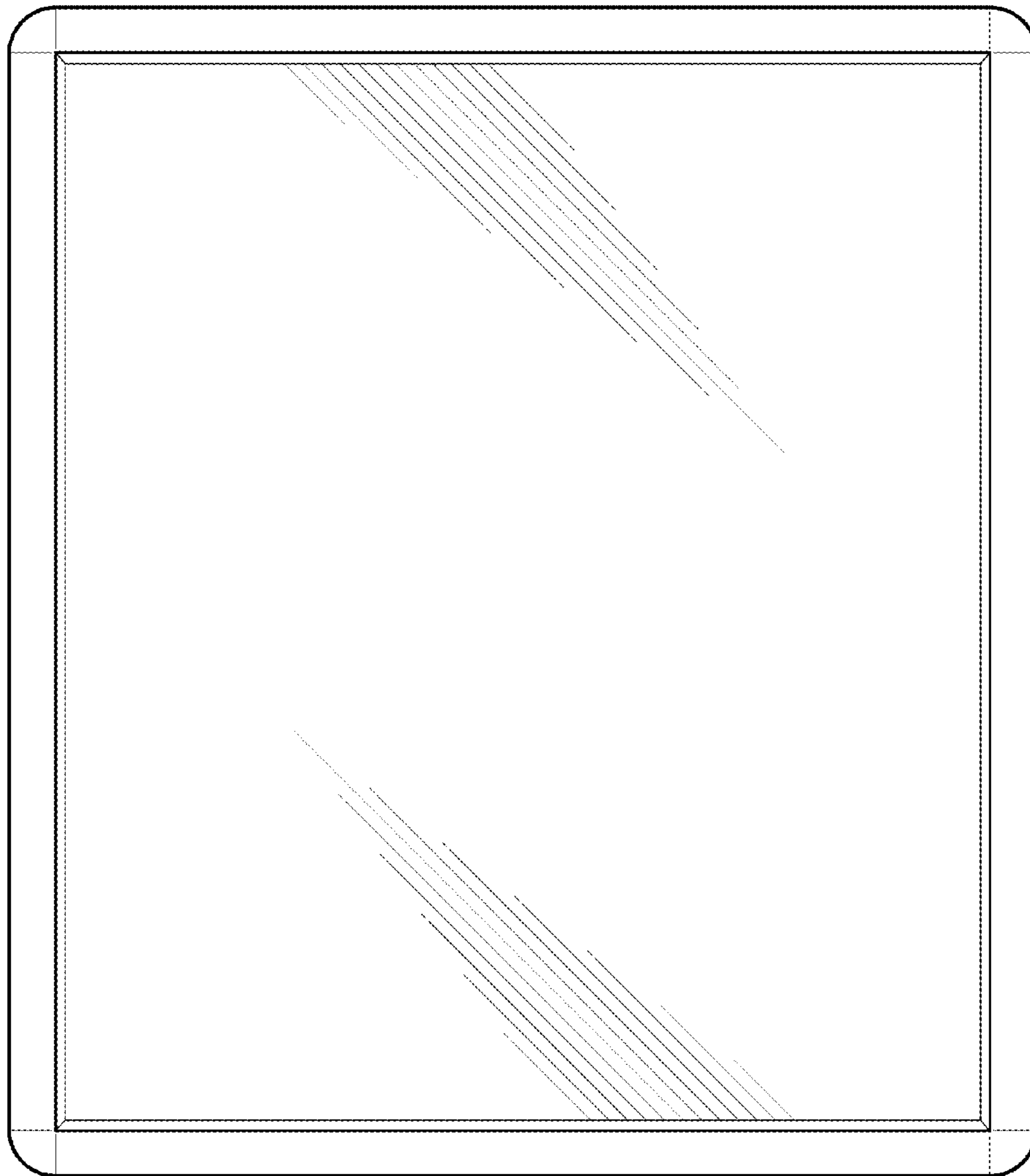


FIG. 6

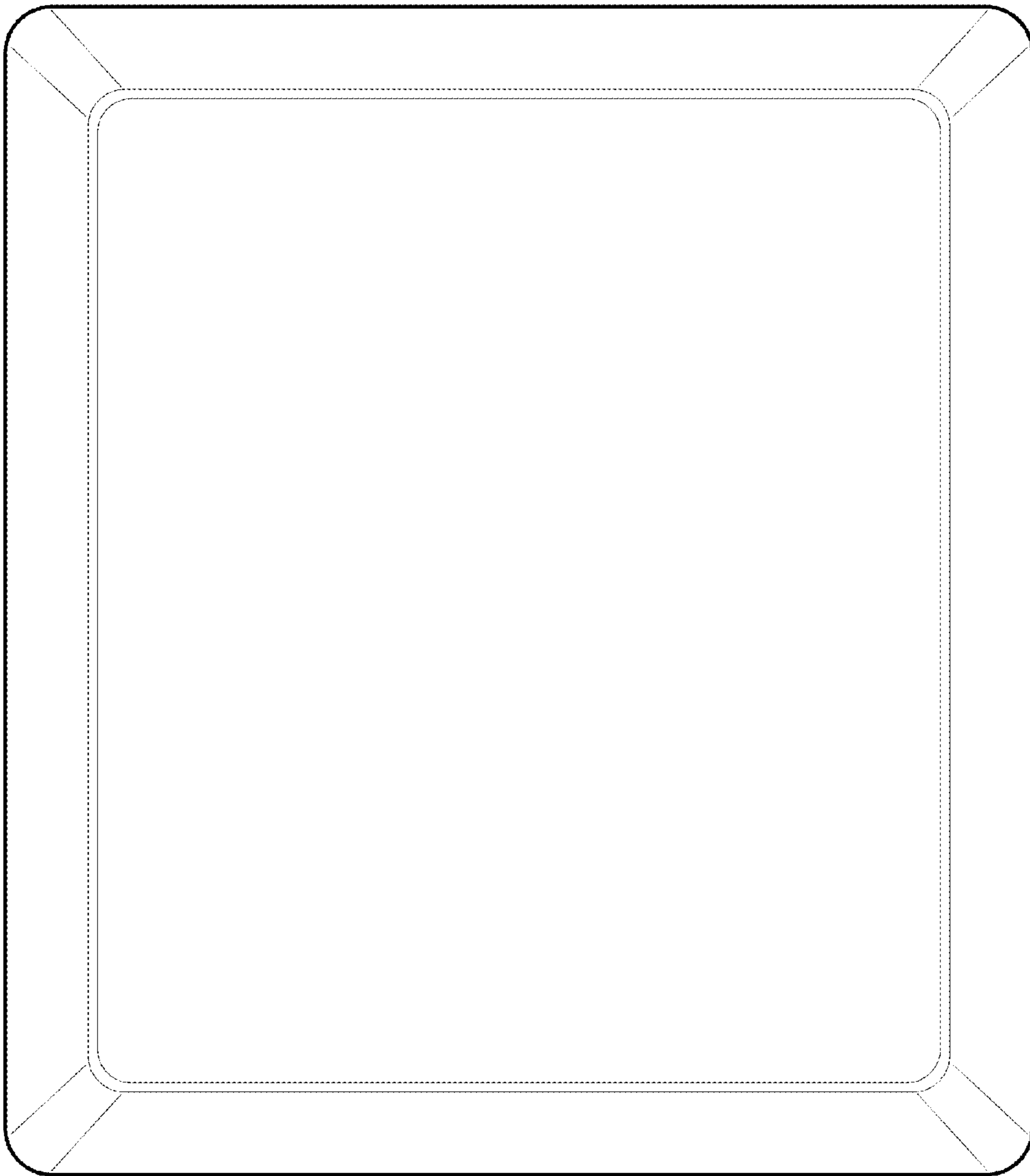


FIG. 7

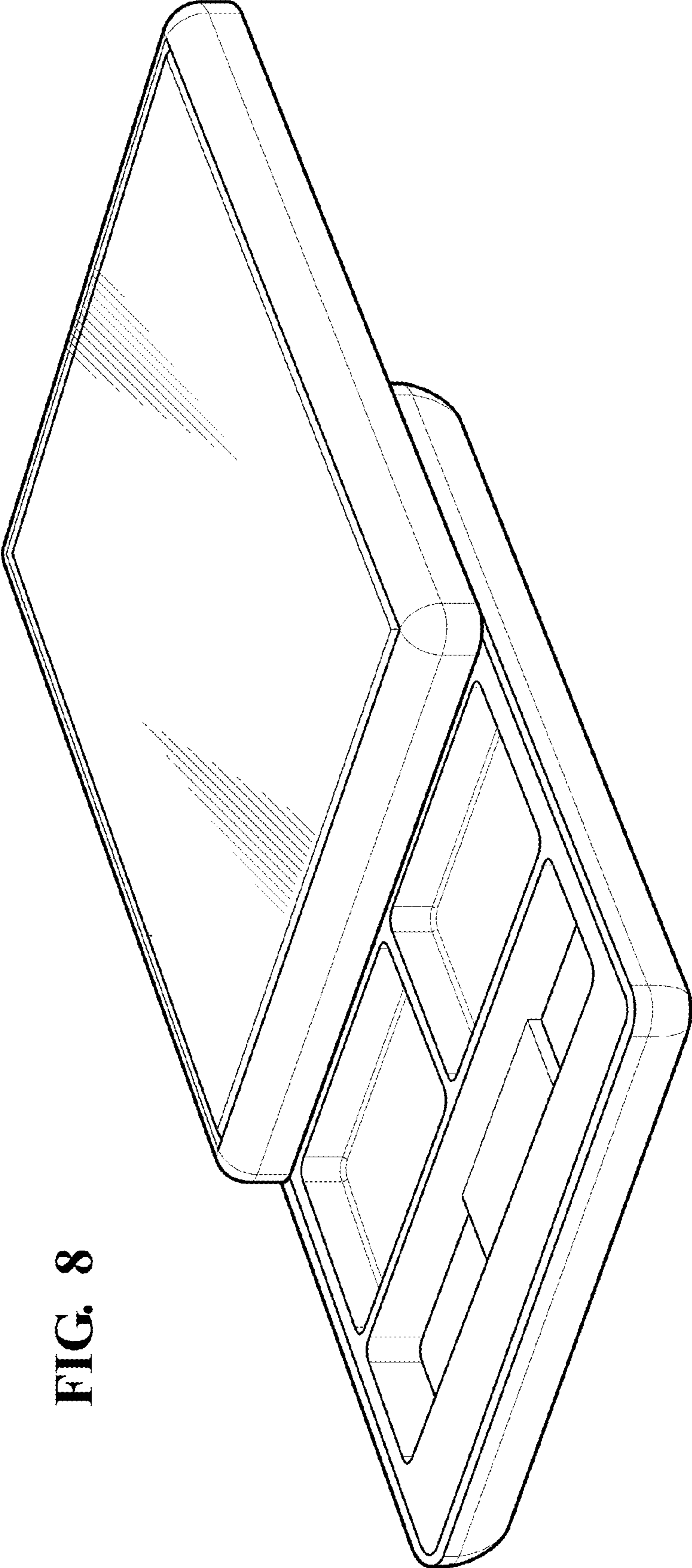


FIG. 8

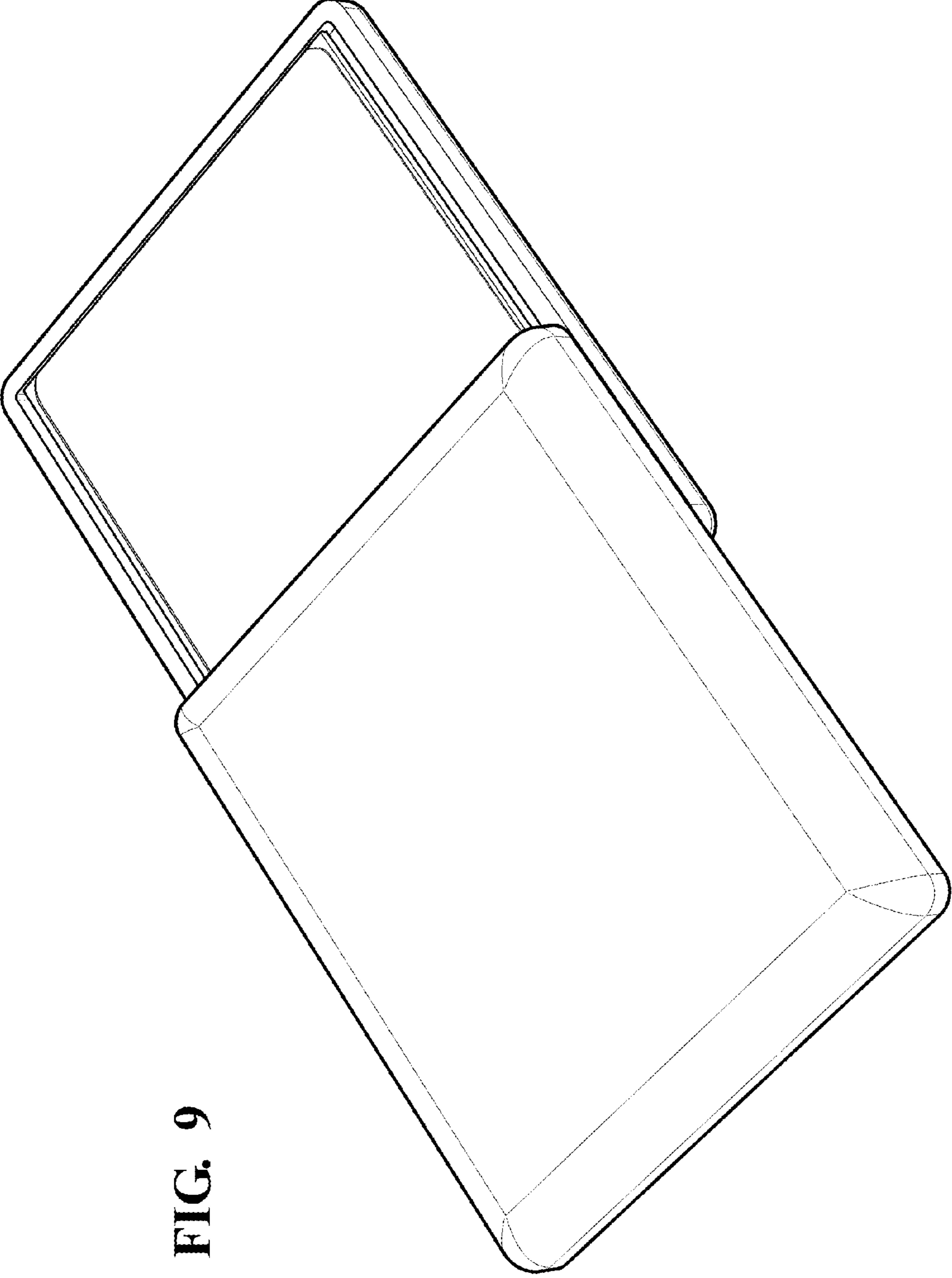


FIG. 9