



US00D722405S

(12) **United States Design Patent**
Hwang

(10) **Patent No.:** **US D722,405 S**
(45) **Date of Patent:** **** Feb. 10, 2015**

- (54) **COMPACT**
- (71) Applicant: **Amorepacific Corporation**, Seoul (KR)
- (72) Inventor: **Seung Ha Hwang**, Seoul (KR)
- (73) Assignee: **Amorepacific Corporation**, Seoul (KR)
- (**) Term: **14 Years**
- (21) Appl. No.: **29/479,791**
- (22) Filed: **Jan. 20, 2014**
- (51) **LOC (10) Cl.** **28-03**
- (52) **U.S. Cl.**
USPC **D28/82**
- (58) **Field of Classification Search**
CPC A45D 33/006; A45D 33/003; A45D
33/04-33/16; A45D 33/025; A45D 33/02;
A45D 33/20; A45D 33/22; A45D 33/24;
A45D 33/26; A45D 33/28; A45D 33/18;
A45D 40/22; A45D 40/222; A45D 40/24;
A45D 42/02
USPC D28/64.1-64.7, 76-84; 206/581, 823;
132/286-318; D9/503-505, 421, 428,
D9/447; D3/901; 220/4.27
See application file for complete search history.

D507,078	S	*	7/2005	Greenfield	D28/82
7,351,215	B1	*	4/2008	Roberts	132/294
D578,711	S	*	10/2008	Burrow et al.	D28/82
D622,003	S	*	8/2010	Naughton et al.	D28/82
D655,045	S	*	2/2012	Paschoal et al.	D28/83
D655,457	S	*	3/2012	In	D28/82
D657,252	S	*	4/2012	Crapser et al.	D9/504
8,181,828	B2	*	5/2012	Deans	132/299
D685,527	S	*	7/2013	Eberlein et al.	D28/82
D686,513	S	*	7/2013	Henriksson	D9/428
D697,674	S	*	1/2014	You	D28/82
D697,800	S	*	1/2014	Villarreal et al.	D9/500
2002/0014493	A1	*	2/2002	Delmon	220/836
2008/0190444	A1	*	8/2008	Bennett	132/306
2012/0305606	A1	*	12/2012	Lee et al.	222/383.1
2013/0014778	A1	*	1/2013	Zhang	132/316

* cited by examiner

Primary Examiner — Jennifer Rivard
(74) *Attorney, Agent, or Firm* — Gable Gotwals

(57) **CLAIM**
I claim the ornamental design for a compact, as shown and described.

DESCRIPTION

FIG. 1 is a perspective view of new design for a compact as shown in the drawings;
FIG. 2 is a front elevation view;
FIG. 3 is a rear elevation view;
FIG. 4 is a left side view;
FIG. 5 is a right side view;
FIG. 6 is a top plan view; and,
FIG. 7 is a bottom plan view.

1 Claim, 7 Drawing Sheets

- (56) **References Cited**
U.S. PATENT DOCUMENTS
D319,897 S * 9/1991 Bakic D28/82
D408,591 S * 4/1999 Litton et al. D28/82
D424,751 S * 5/2000 Kudo et al. D28/78
D468,058 S * 12/2002 Thorpe D28/82

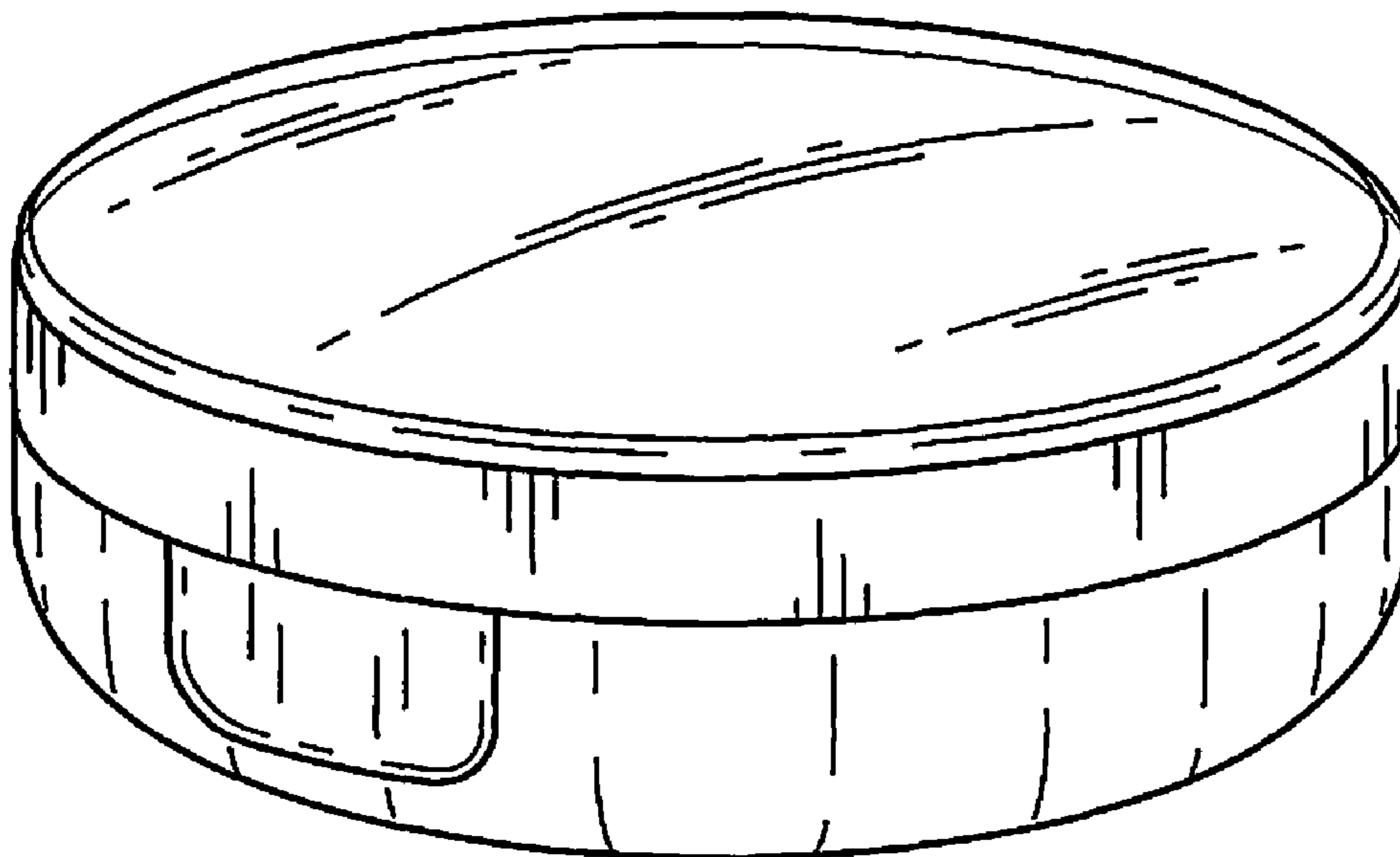


FIG 1

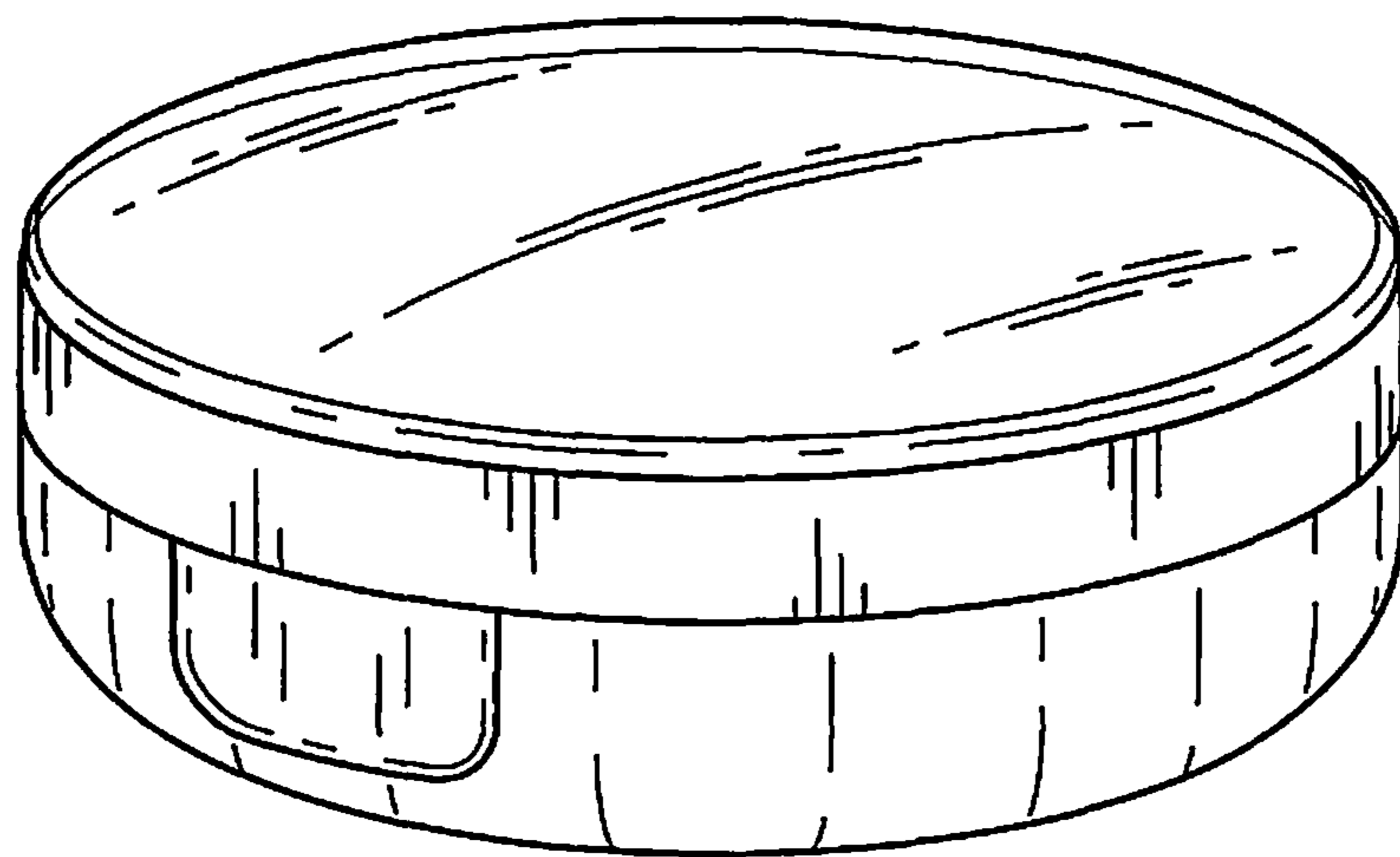


FIG. 2

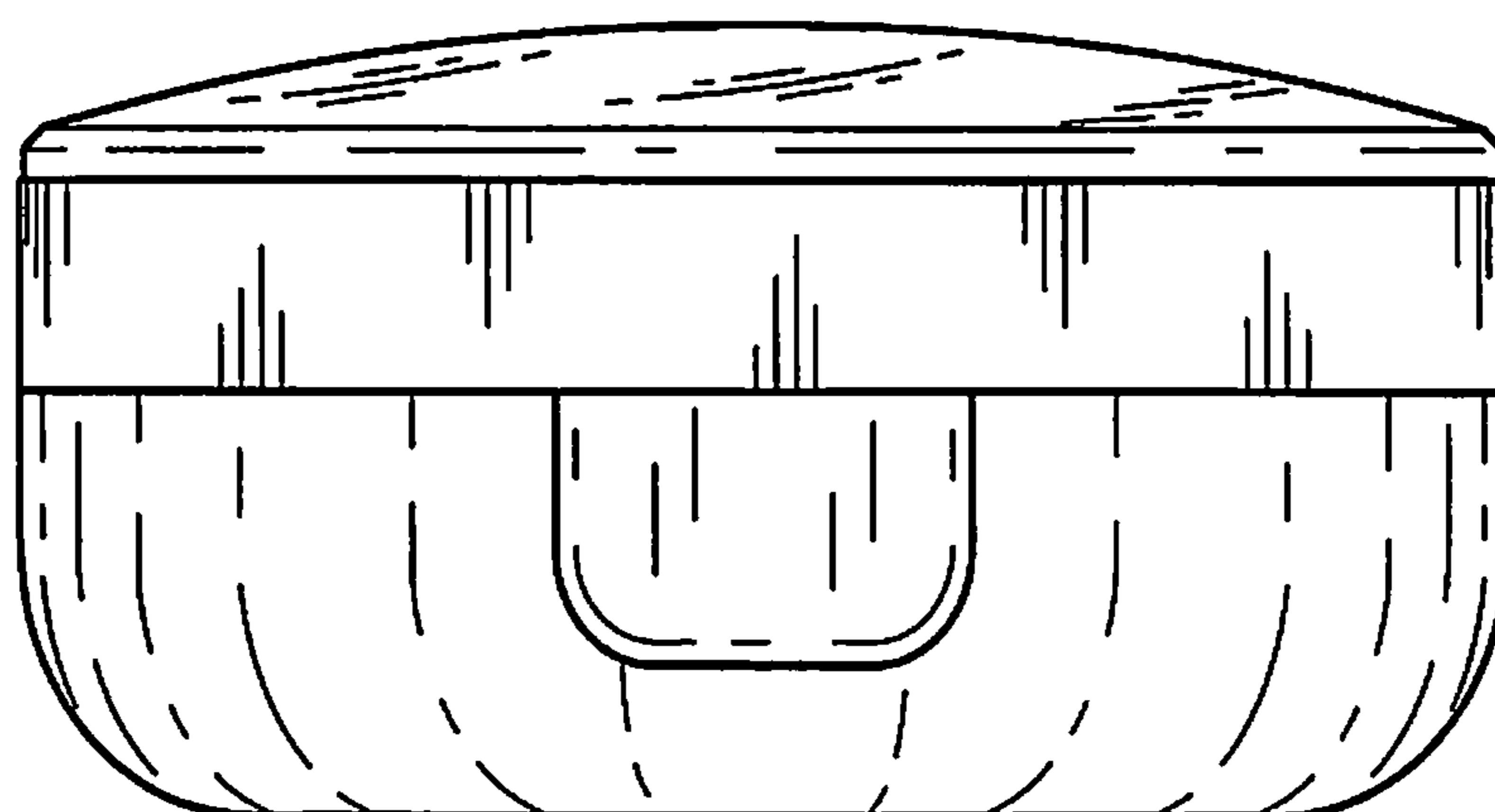


FIG. 3

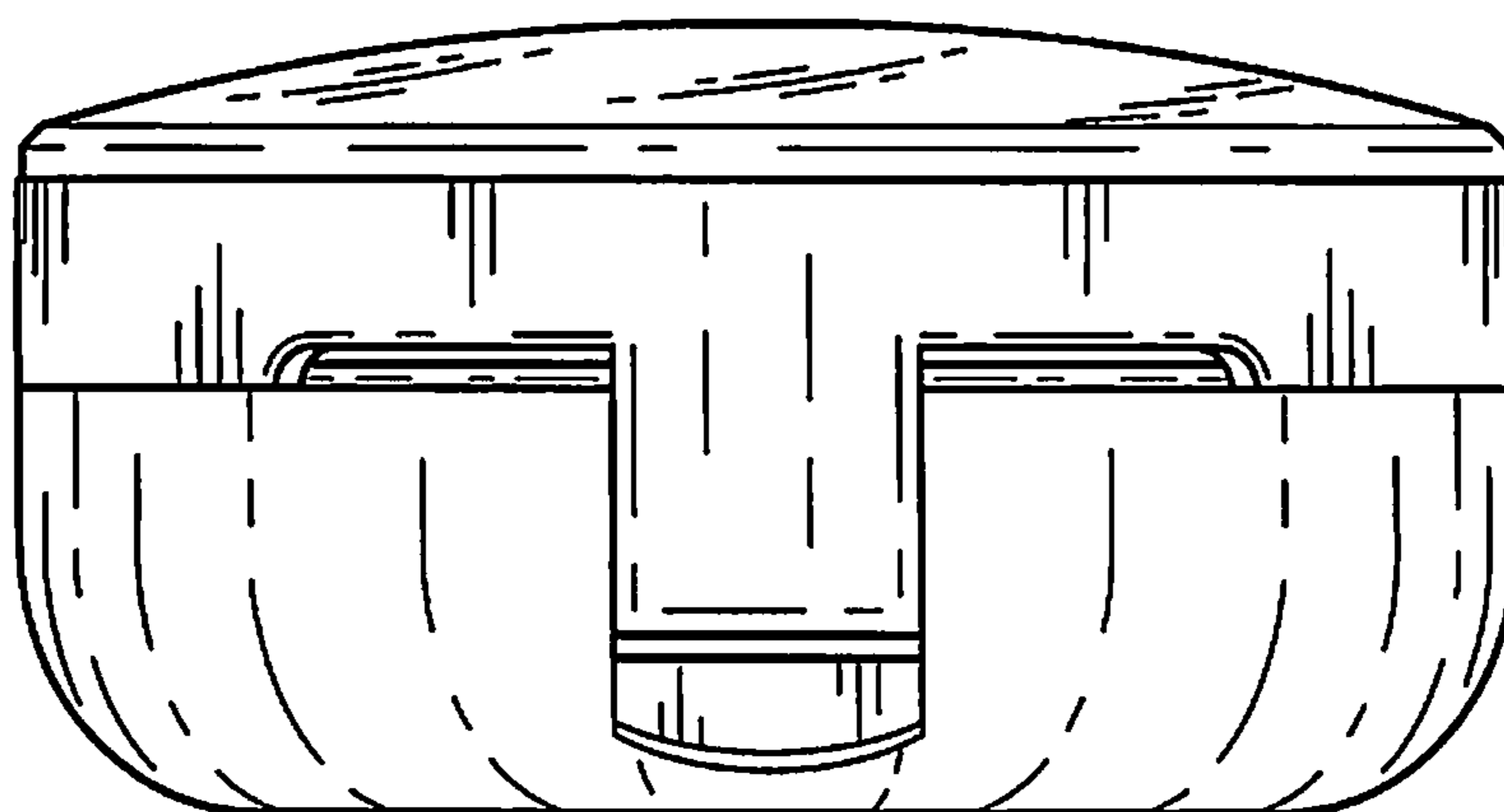


FIG. 4

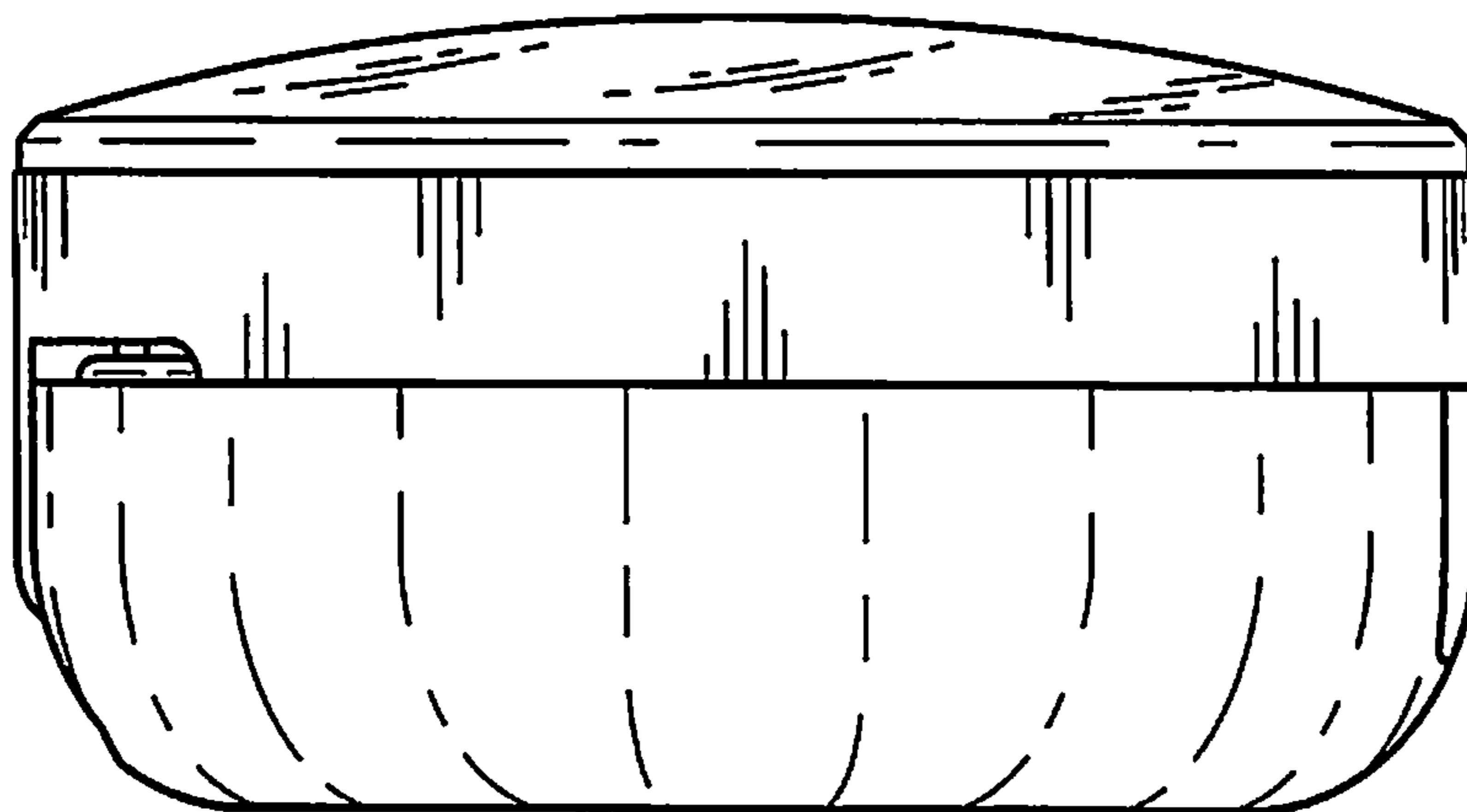


FIG. 5

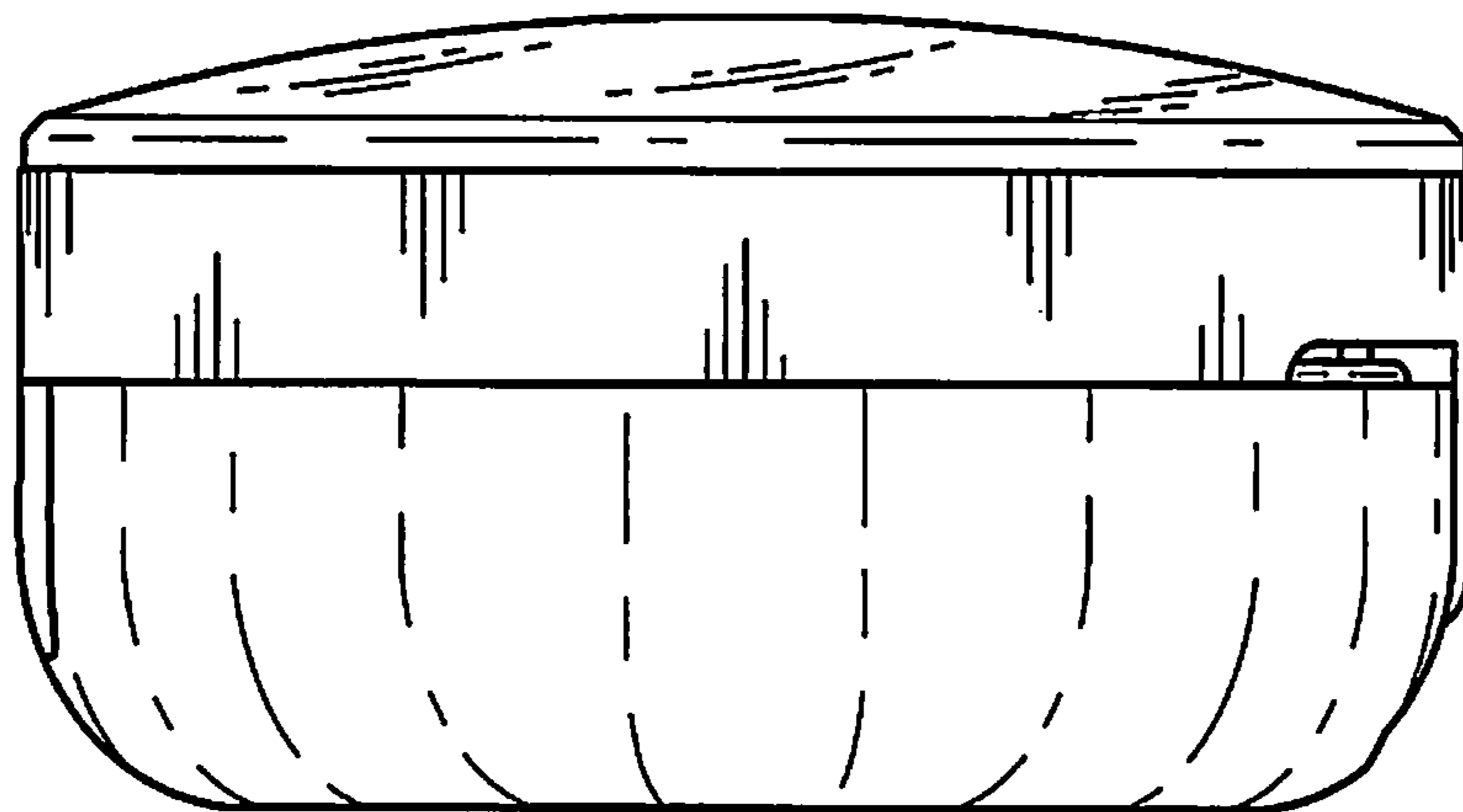


FIG. 6

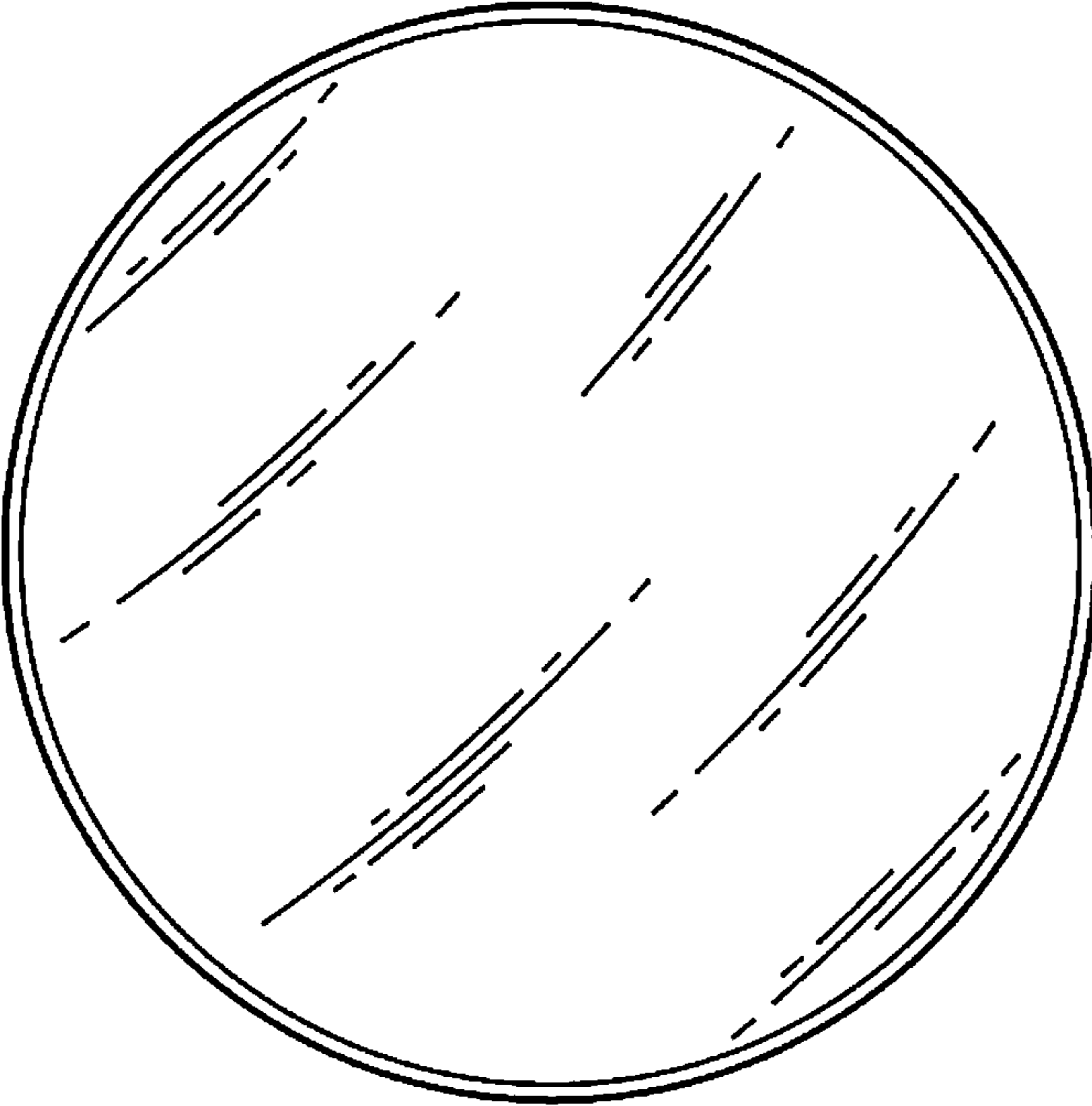


FIG. 7

