



US00D722400S

(12) **United States Design Patent**  
**Gilbert**

(10) **Patent No.:** **US D722,400 S**

(45) **Date of Patent:** **\*\* Feb. 10, 2015**

- (54) **LIGHT FIXTURE PORTION**
- (71) Applicant: **Christopher Jon Gilbert**, Moreland Hills, OH (US)
- (72) Inventor: **Christopher Jon Gilbert**, Moreland Hills, OH (US)
- (73) Assignee: **Moen Incorporated**, North Olmsted, OH (US)
- (\*\*) Term: **14 Years**
- (21) Appl. No.: **29/466,659**
- (22) Filed: **Sep. 10, 2013**
- (51) **LOC (10) Cl.** ..... **26-03**
- (52) **U.S. Cl.**  
USPC ..... **D26/87; D26/86**
- (58) **Field of Classification Search**  
USPC ..... D26/72, 86, 87, 92, 145, 155; 362/147, 362/432  
See application file for complete search history.

1,727,368 A *	9/1929	Eustice	.....	362/432
D87,857 S	9/1932	Tucker		
D87,923 S	10/1932	Hoffmann		
D88,819 S	12/1932	Owen		
D90,017 S	5/1933	Bush		
D97,934 S	12/1935	Guth		
D99,754 S	5/1936	Ross et al.		
D102,858 S	1/1937	Ripley		
D105,628 S	8/1937	Wiesler		
2,091,597 A *	8/1937	La Foree	.....	362/432

(Continued)

*Primary Examiner* — Clare E Heflin

(74) *Attorney, Agent, or Firm* — Calfee, Halter & Griswold LLP

(57) **CLAIM**

The ornamental design for a light fixture portion, as shown and described.

**DESCRIPTION**

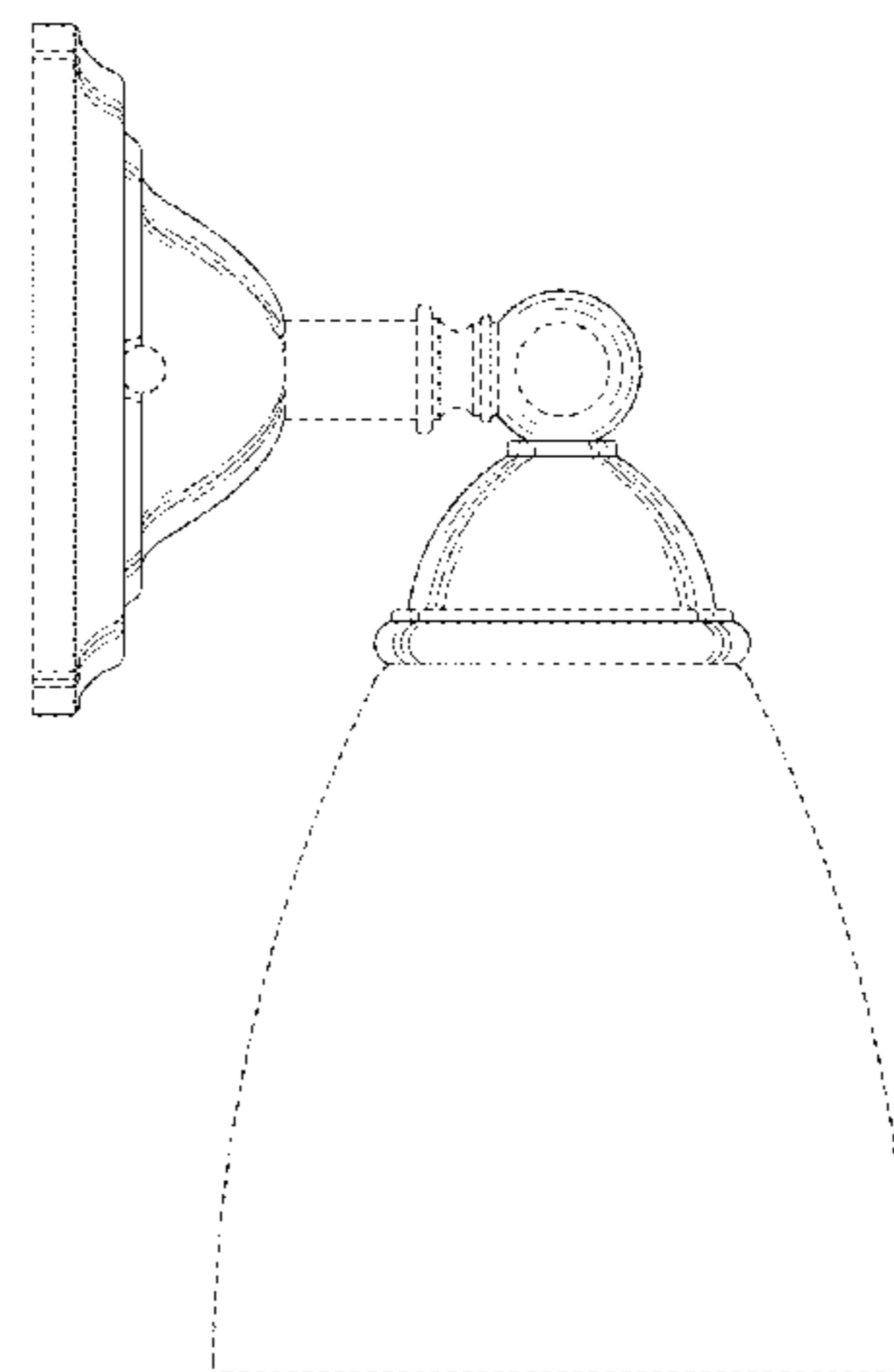
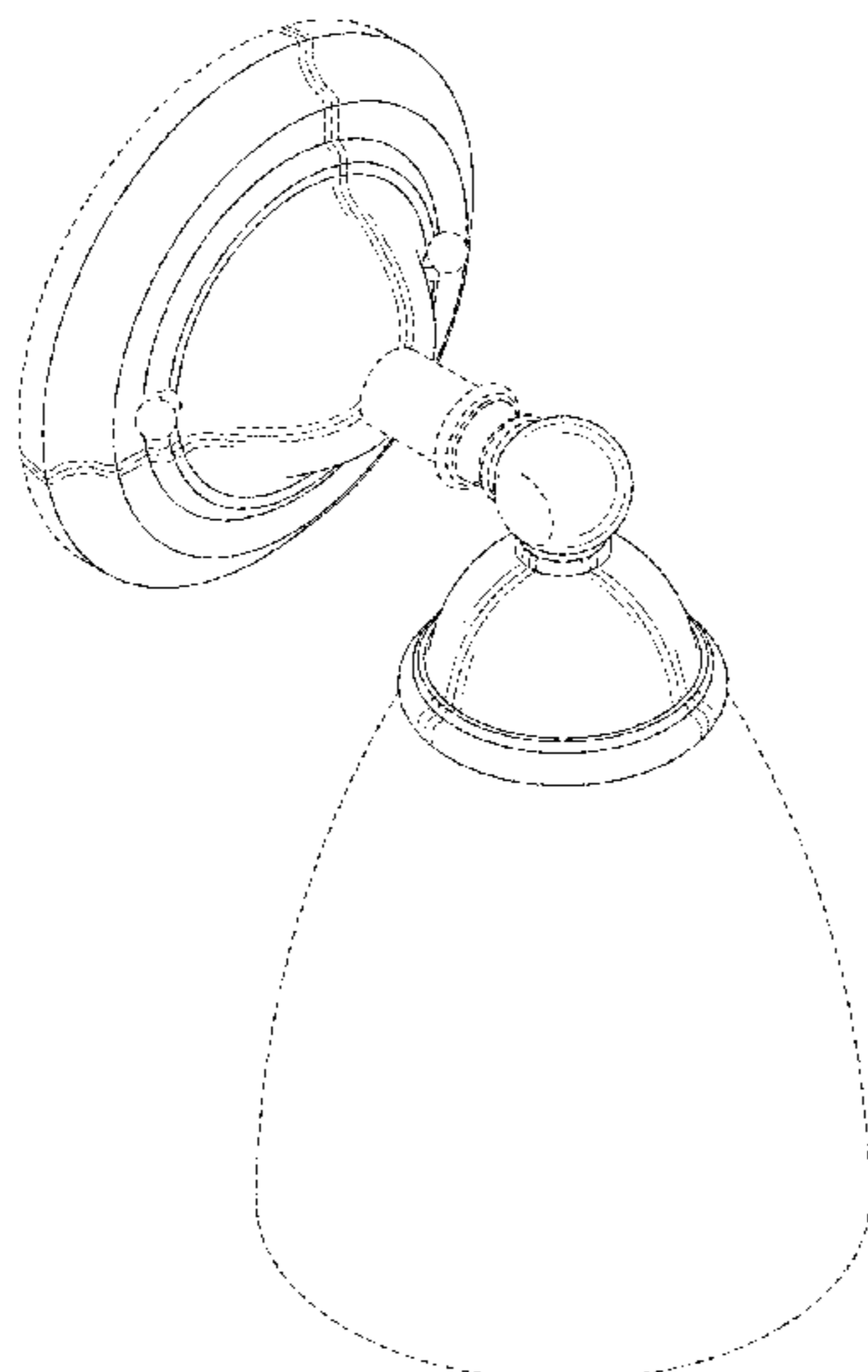
FIG. 1 is a perspective view of a light fixture portion of the new design in a first embodiment of the light fixture; FIG. 2 is a front elevational view of the light fixture portion in the embodiment of FIG. 1; FIG. 3 is a left side elevational view of the light fixture portion in the embodiment of FIG. 1, the right side elevational view being a mirror image thereof; FIG. 4 is a top plan view of the light fixture portion in the embodiment of FIG. 1; FIG. 5 is a bottom plan view of the light fixture portion in the embodiment of FIG. 1; FIG. 6 is a perspective view of a light fixture portion of the new design in a second embodiment of the light fixture; FIG. 7 is a perspective view of a light fixture portion of the new design in a third embodiment of the light fixture; and, FIG. 8 is a perspective view of a light fixture portion of the new design in a fourth embodiment of the light fixture. The portions of the Figures shown in broken lines are not part of the claimed design and are for illustration only.

**1 Claim, 6 Drawing Sheets**

(56) **References Cited**

U.S. PATENT DOCUMENTS

D43,203 S *	10/1912	Phinney	.....	D26/87
1,054,081 A *	2/1913	Bailey et al.	.....	362/432
D45,940 S *	6/1914	Jones	.....	D26/87
1,171,334 A *	2/1916	Gaffney	.....	362/432
1,177,232 A	3/1916	Chisholm		
1,195,805 A	8/1916	Giese		
D50,861 S *	6/1917	Adam	.....	D26/87
1,233,829 A *	7/1917	White	.....	362/432
1,261,477 A *	4/1918	Boomer	.....	362/432
D55,390 S *	6/1920	Macrz	.....	D26/92
1,395,710 A *	11/1921	Herskovitz	.....	362/432
1,404,732 A *	1/1922	Benjamin	.....	362/432
D65,920 S	11/1924	Monroe		
D67,935 S	8/1925	Ullman		
D67,957 S	8/1925	Hinck		
D68,807 S	11/1925	Hill		
D73,512 S	9/1927	Wolter		



(56)

References Cited

U.S. PATENT DOCUMENTS

D109,661 S	5/1938	Hoeveler	D441,113 S	4/2001	Small et al.
D117,475 S	11/1939	Gustafson	D441,486 S	5/2001	Hsing
D121,523 S	7/1940	Petzold	D442,675 S	5/2001	Burns et al.
2,214,600 A	9/1940	Winkler	D443,037 S	5/2001	Burns et al.
D134,355 S	11/1942	Rolph	D443,341 S	6/2001	Burns et al.
D139,444 S	11/1944	Lippincott	D444,260 S	6/2001	Dolan
D158,209 S	4/1950	Lundquist	D444,905 S	7/2001	Hsu
D164,606 S	9/1951	Schlage	D450,406 S	11/2001	Knappstein
D167,268 S	7/1952	Lordo	D453,048 S	1/2002	Orozco
D178,212 S	7/1956	Schreckengost	D453,437 S	2/2002	Gilbert
D179,445 S	12/1956	Eaton	D453,581 S	2/2002	Orozco
D182,684 S	4/1958	Ohno	D453,897 S	2/2002	LaPlume et al.
D187,488 S	3/1960	Atkin	D455,199 S	4/2002	Lenart et al.
3,050,770 A	8/1962	Morse et al.	D459,524 S	6/2002	Dolan
D205,463 S	8/1966	Zelenko	D459,826 S	7/2002	Dolan
D207,414 S	4/1967	Lum et al.	D460,208 S	7/2002	Dolan
D207,867 S	6/1967	Pettengill	D465,597 S	11/2002	Hsu
D209,078 S	10/1967	Andre	D465,956 S	11/2002	Ouyoung
D213,994 S	4/1969	Blaisdell et al.	D467,676 S	12/2002	Packer et al.
D217,063 S	3/1970	Daito	D468,476 S	1/2003	Dolan
D234,797 S	4/1975	DeJohn et al.	D469,202 S	1/2003	Tsai
D235,114 S	5/1975	Van Steenhoven et al.	D470,962 S	2/2003	Chen
D235,228 S	5/1975	Van Steenhoven	D471,260 S	3/2003	Otero
D241,440 S	9/1976	Doman	D473,003 S	* 4/2003	Hoernig ..... D26/87
4,300,190 A	11/1981	Mershon	D473,004 S	* 4/2003	Hoernig ..... D26/87
D263,000 S	2/1982	Heritage et al.	D473,005 S	* 4/2003	Hoernig ..... D26/87
D263,989 S	4/1982	Fleischmann et al.	D473,934 S	4/2003	Singtoroj
D263,990 S	4/1982	Fleischmann et al.	D477,168 S	7/2003	Greenspon
D268,876 S	5/1983	Leithauser, Jr.	D478,448 S	8/2003	Hoernig
D269,639 S	7/1983	Eargle, Jr. et al.	D481,151 S	10/2003	Brunner
D271,428 S	11/1983	de Vos et al.	D481,234 S	10/2003	Lai
D288,525 S	3/1987	Angle	D483,105 S	12/2003	Hsieh
D299,070 S	12/1988	Tharp et al.	D486,215 S	2/2004	Hsieh
D300,258 S	3/1989	Rubarth	D486,559 S	2/2004	Otero
D302,737 S	8/1989	Hoke et al.	D487,163 S	2/2004	Humphrey
D305,863 S	2/1990	Gresens et al.	6,742,915 B1	6/2004	Westerheide
D312,885 S	12/1990	Louis	D493,242 S	7/2004	Chen
D315,946 S	4/1991	Hollbrook	D495,178 S	8/2004	Fahy et al.
5,026,012 A	6/1991	Wang	D496,257 S	9/2004	Fields
D319,294 S	8/1991	Kohler, Jr. et al.	D498,868 S	11/2004	Parres
D321,468 S	11/1991	Reid	D498,869 S	11/2004	Dolan
D324,170 S	2/1992	Owens et al.	D501,269 S	1/2005	Parres
5,134,554 A	7/1992	Donato et al.	D501,270 S	1/2005	Lee
D331,797 S	12/1992	Rosenbaum	D502,280 S	2/2005	Parres
D348,532 S	7/1994	Belisle	D503,819 S	4/2005	Pickett
5,329,438 A	7/1994	Thompson	D503,820 S	4/2005	Emory et al.
D361,671 S	8/1995	Sharpe	D506,022 S	6/2005	Benghozi
D365,887 S	1/1996	Pickett	D506,283 S	6/2005	Benghozi
D369,428 S	4/1996	Deron	D506,563 S	6/2005	Campo
D370,289 S	5/1996	Deron	D511,019 S	10/2005	Nicholas
D373,842 S	9/1996	Lupien	D514,730 S	2/2006	Lo
D374,496 S	10/1996	Small et al.	D516,850 S	3/2006	Shieh
D380,851 S	7/1997	Dolan	D518,353 S	4/2006	Van Handel
D382,943 S	8/1997	Doughty et al.	D519,666 S	4/2006	Leser
D385,956 S	11/1997	Doughty et al.	D521,174 S	5/2006	Dolan
D391,662 S	* 3/1998	Miranda ..... D26/87	D526,189 S	8/2006	Haymond
D400,280 S	10/1998	Leen	D527,137 S	8/2006	Urich
D400,997 S	11/1998	Cheun et al.	D533,937 S	12/2006	Pan
D403,750 S	1/1999	Fabian	D536,818 S	2/2007	Sooferian
D406,671 S	3/1999	Tsuji	D537,554 S	2/2007	De'Armond
D412,106 S	7/1999	Kennard, IV	D539,961 S	4/2007	Hsu
D412,594 S	8/1999	Benghozi	D541,966 S	5/2007	Benghozi
D413,178 S	8/1999	Perenzin	D543,710 S	6/2007	Krumpe et al.
D414,286 S	9/1999	Sherman	D544,127 S	6/2007	Posey et al.
D416,643 S	11/1999	Benghozi	7,246,935 B2	7/2007	Benghozi et al.
D420,106 S	2/2000	Green	D550,886 S	9/2007	Nicholas
D420,161 S	2/2000	Zuege	D551,796 S	9/2007	Acedo
D422,740 S	4/2000	Hsu	D552,287 S	10/2007	De'Armond
D423,131 S	4/2000	Giese et al.	D552,288 S	10/2007	De'Armond
D426,340 S	6/2000	Ewing et al.	D554,404 S	11/2007	Chang
D427,290 S	6/2000	Milrud et al.	D559,425 S	1/2008	Porter
D427,291 S	6/2000	Milrud et al.	D563,026 S	2/2008	Nicholas
D428,642 S	7/2000	Milrud et al.	D563,029 S	2/2008	Hsu
D431,309 S	9/2000	Hsieh	D565,231 S	3/2008	Milicia
D436,211 S	1/2001	Neeld et al.	D565,776 S	4/2008	Hsu
			D567,421 S	4/2008	Pan
			D567,988 S	4/2008	Lissoni
			D570,029 S	5/2008	Hsu
			D570,519 S	6/2008	Milicia



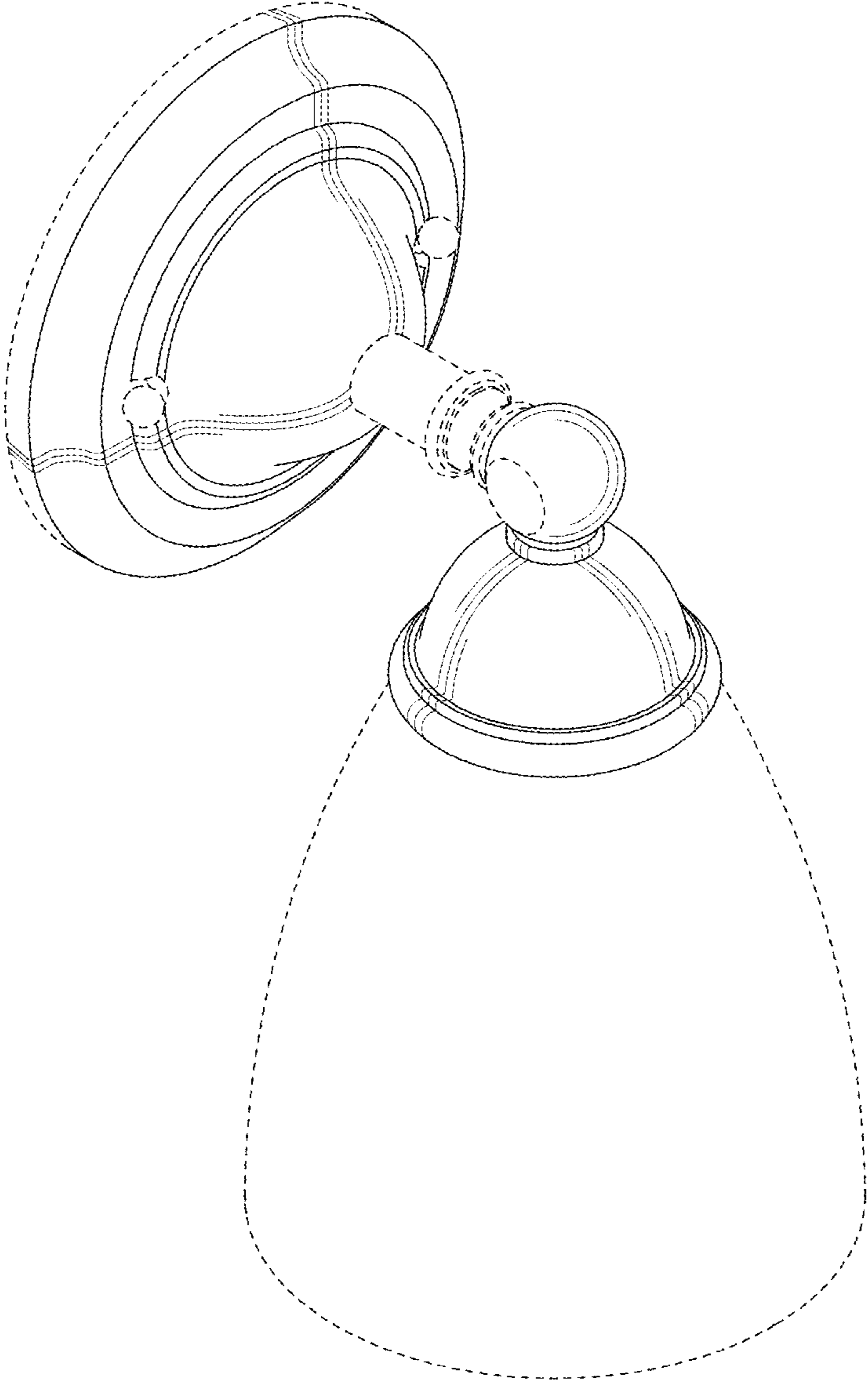
(56)

**References Cited**

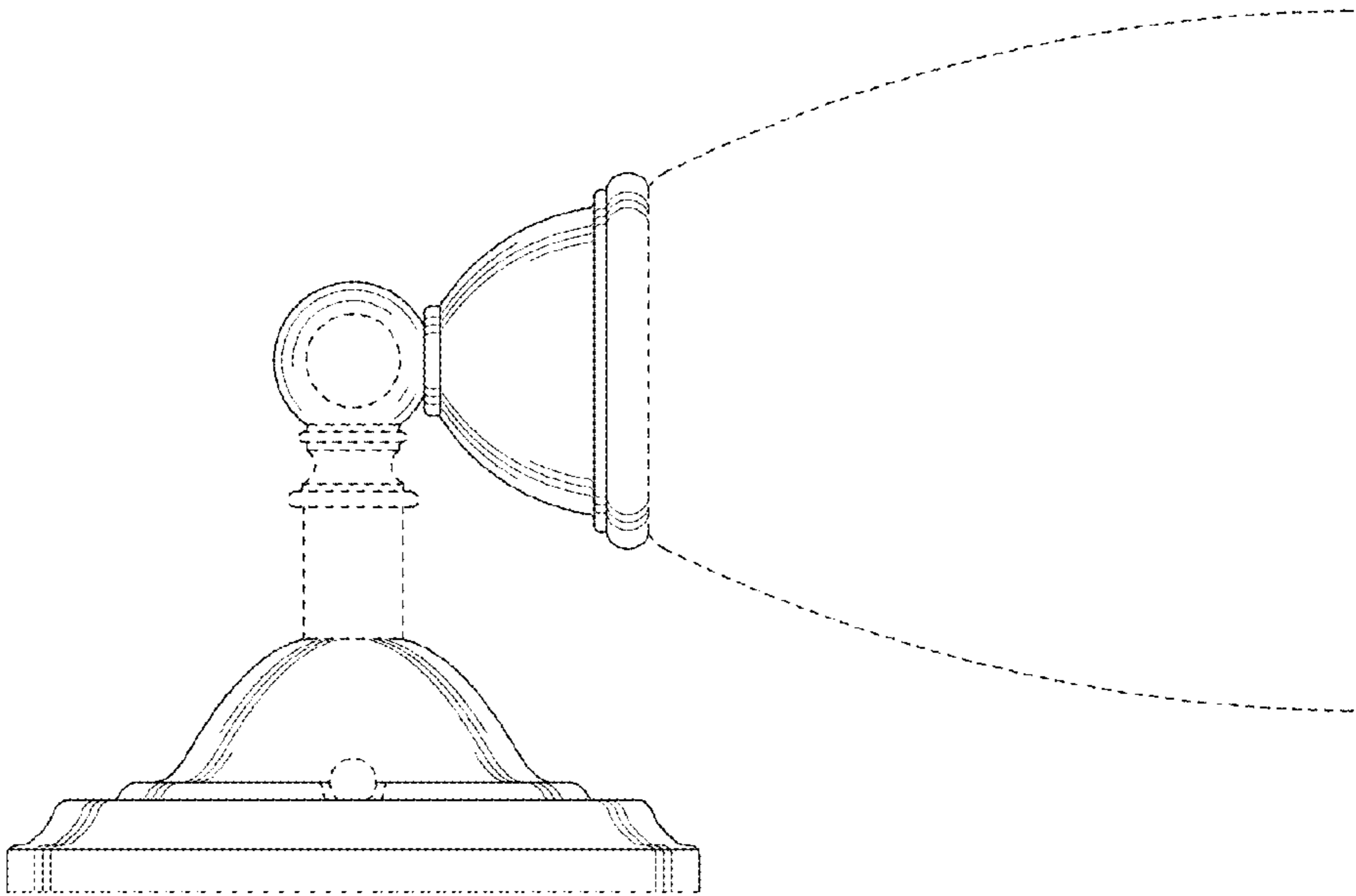
U.S. PATENT DOCUMENTS

D570,520 S	6/2008	Nicholas	D605,335 S	12/2009	Thun	
D573,748 S	7/2008	Hsu	D609,515 S	2/2010	Krumpe	
D573,749 S	7/2008	Hsu	D611,184 S	3/2010	Chen	
D574,546 S	8/2008	Morrison	D611,636 S	3/2010	Sabernig	
D575,893 S	8/2008	Castellucci et al.	D611,637 S	3/2010	Sabernig	
D576,340 S	9/2008	Wanders	D611,639 S	3/2010	Sabernig	
D582,600 S	12/2008	Guercio	D611,640 S	3/2010	Sabernig	
D583,980 S	12/2008	Guercio	D612,089 S	3/2010	Chen	
D588,298 S	3/2009	Sabernig	D615,692 S	5/2010	Lavallee	
D588,299 S	3/2009	Sabernig	D616,136 S	5/2010	Lavallee	
D588,301 S	3/2009	Sabernig	D620,179 S	7/2010	Sabernig	
D589,197 S	3/2009	Sabernig	D621,537 S	8/2010	Borovicka et al.	
D589,198 S	3/2009	Sabernig	D627,046 S	11/2010	Wang	
D590,981 S	4/2009	Sabernig	D627,920 S	11/2010	Hanna et al.	
D591,838 S	5/2009	Coleman	D628,735 S	12/2010	Chen	
D592,792 S	5/2009	Keller	D628,736 S	12/2010	Chen	
D596,334 S	7/2009	Sabernig	D632,382 S	2/2011	Pan	
D596,780 S	7/2009	Thun	D634,571 S	3/2011	Hanna et al.	
D600,961 S	9/2009	Krumpe	D635,443 S	4/2011	Roberts, III	
D602,192 S	10/2009	Tunze	D635,444 S	4/2011	Roberts, III	
D602,622 S	10/2009	Kay	D641,435 S	7/2011	Coote	
D603,992 S	11/2009	Sabernig	D642,314 S	7/2011	Van Den Akker	
			D685,124 S *	6/2013	Dolan .....	D26/87
			D685,125 S *	6/2013	Dolan .....	D26/87
			2002/0136002 A1	9/2002	Hoernig	

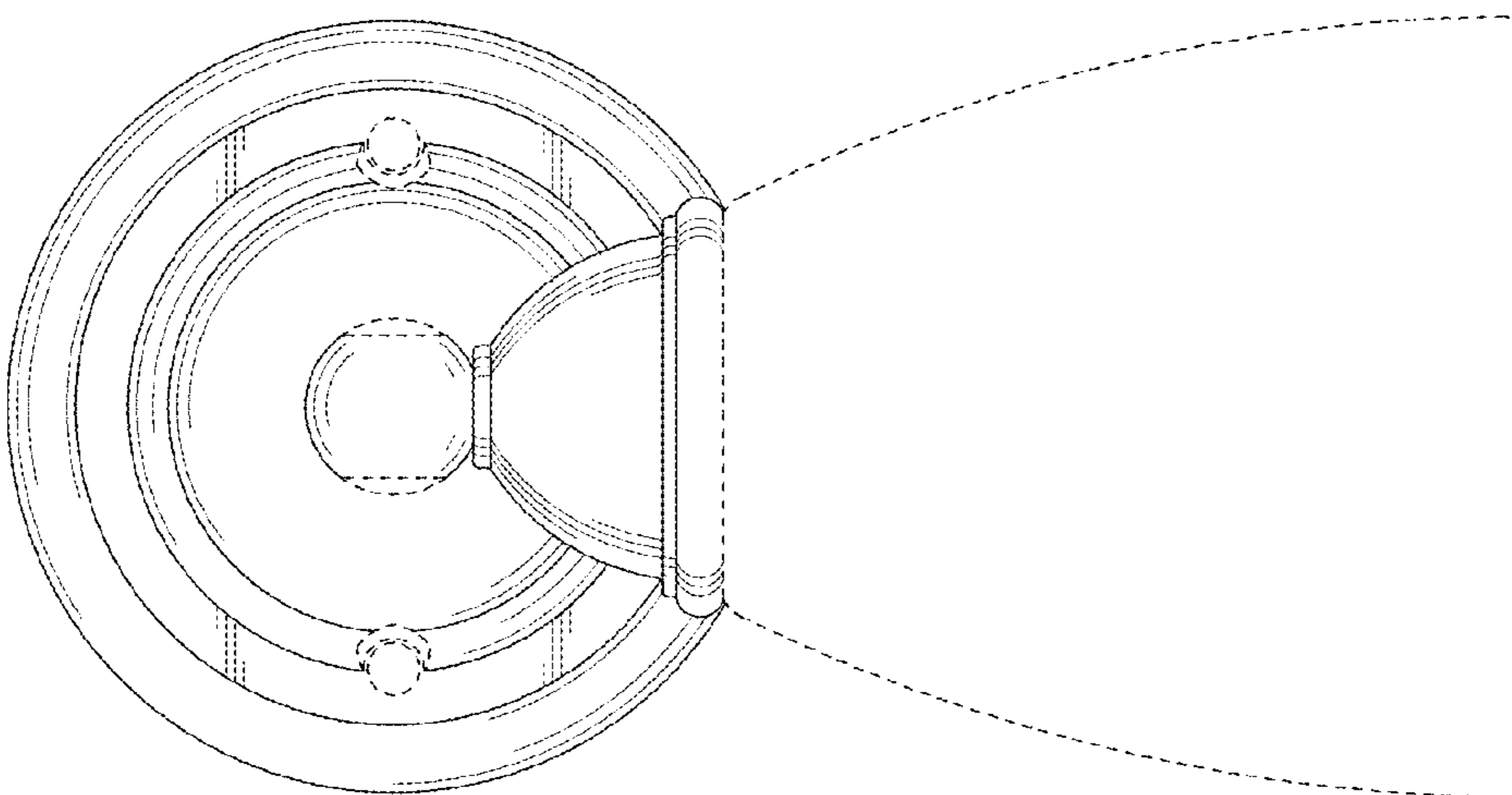
\* cited by examiner



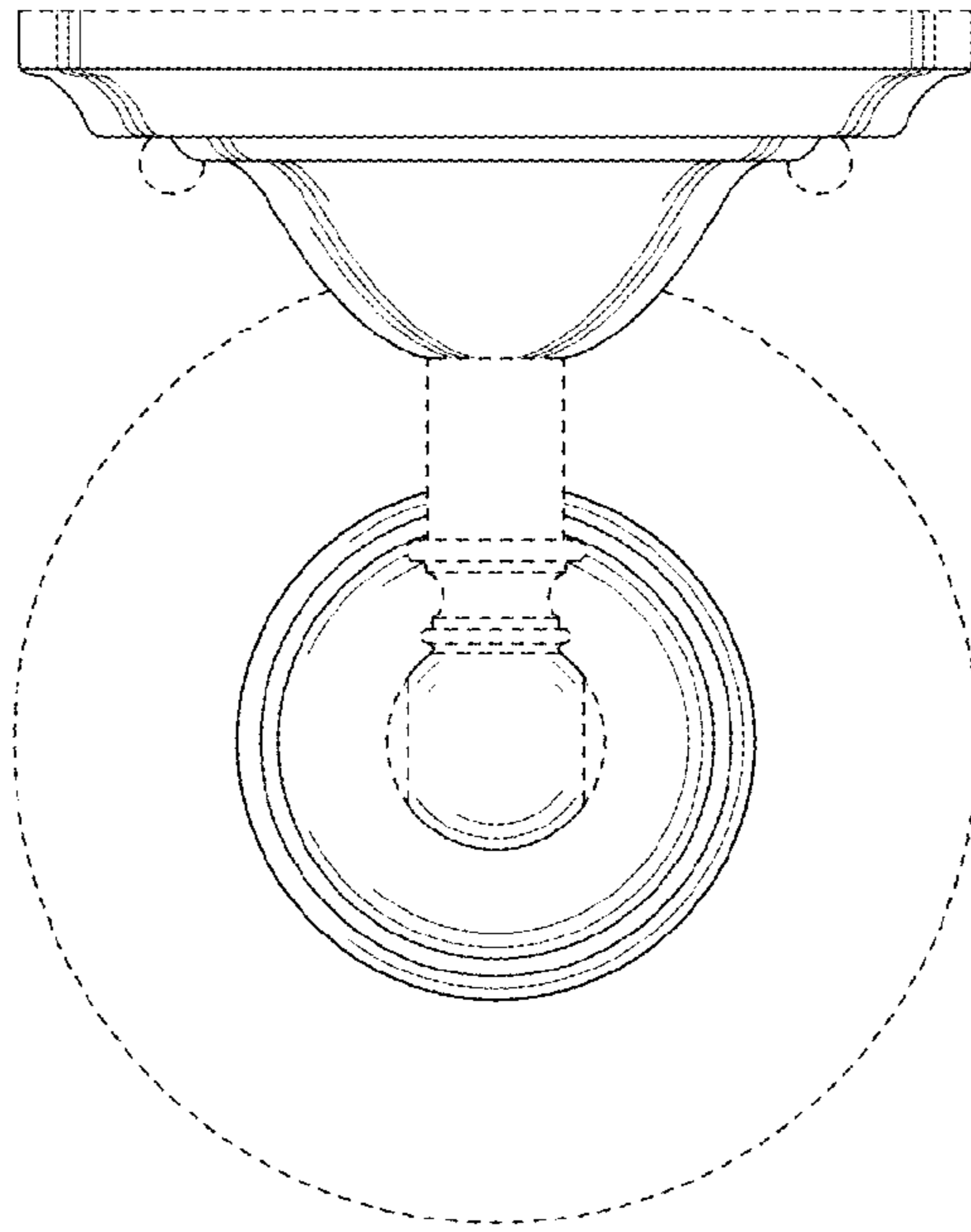
**FIG. 1**



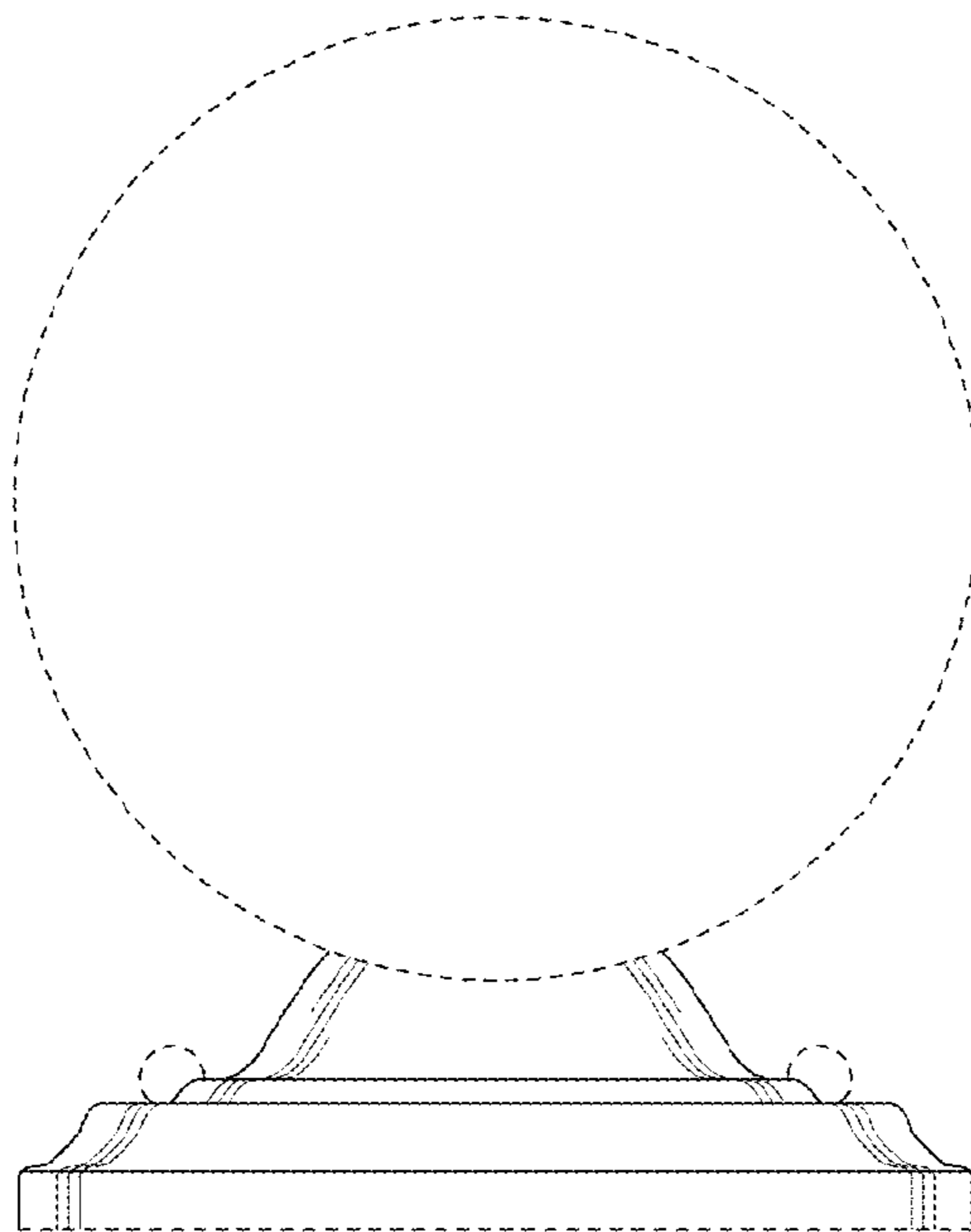
**FIG. 3**



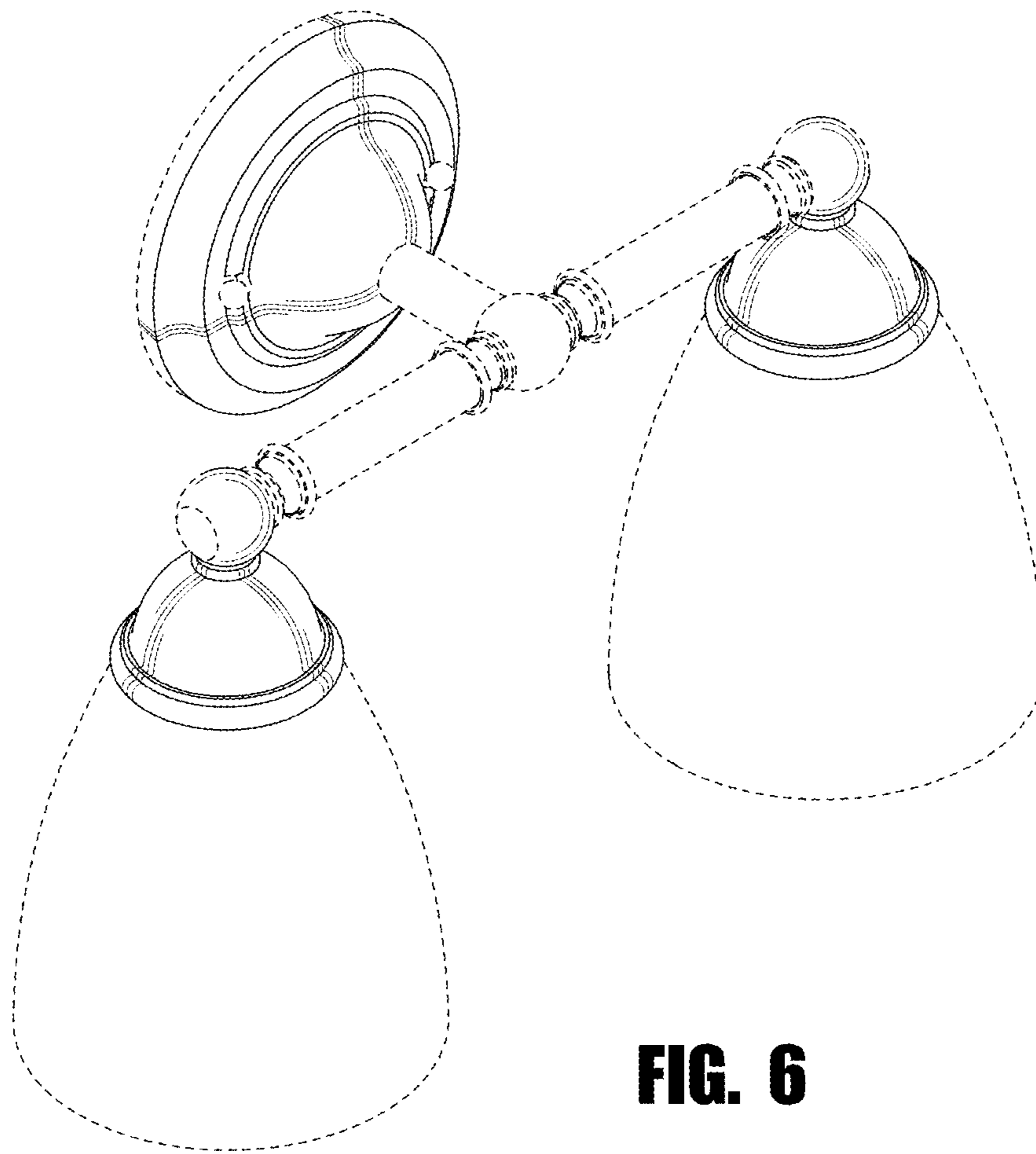
**FIG. 2**



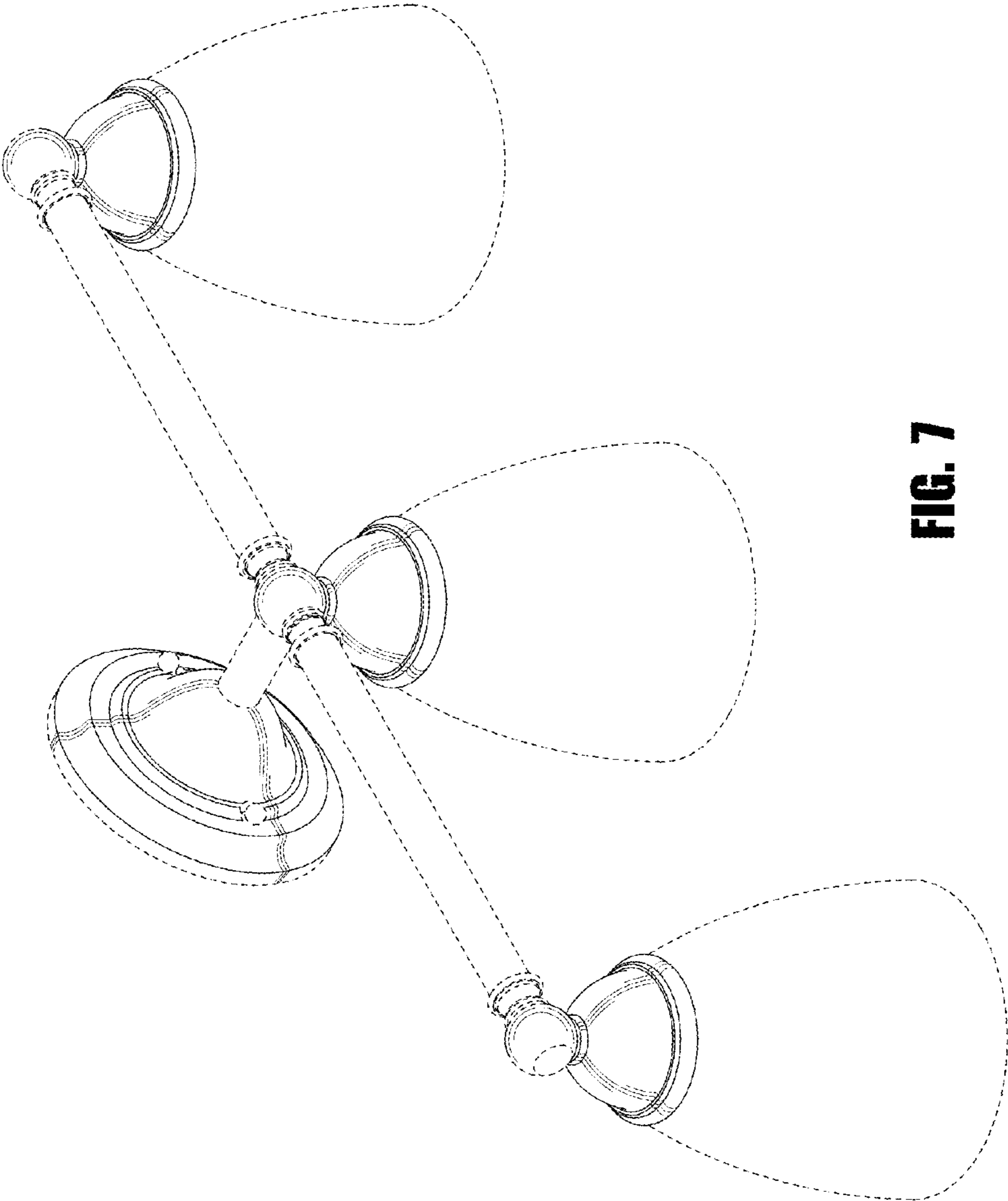
**FIG. 4**



**FIG. 5**

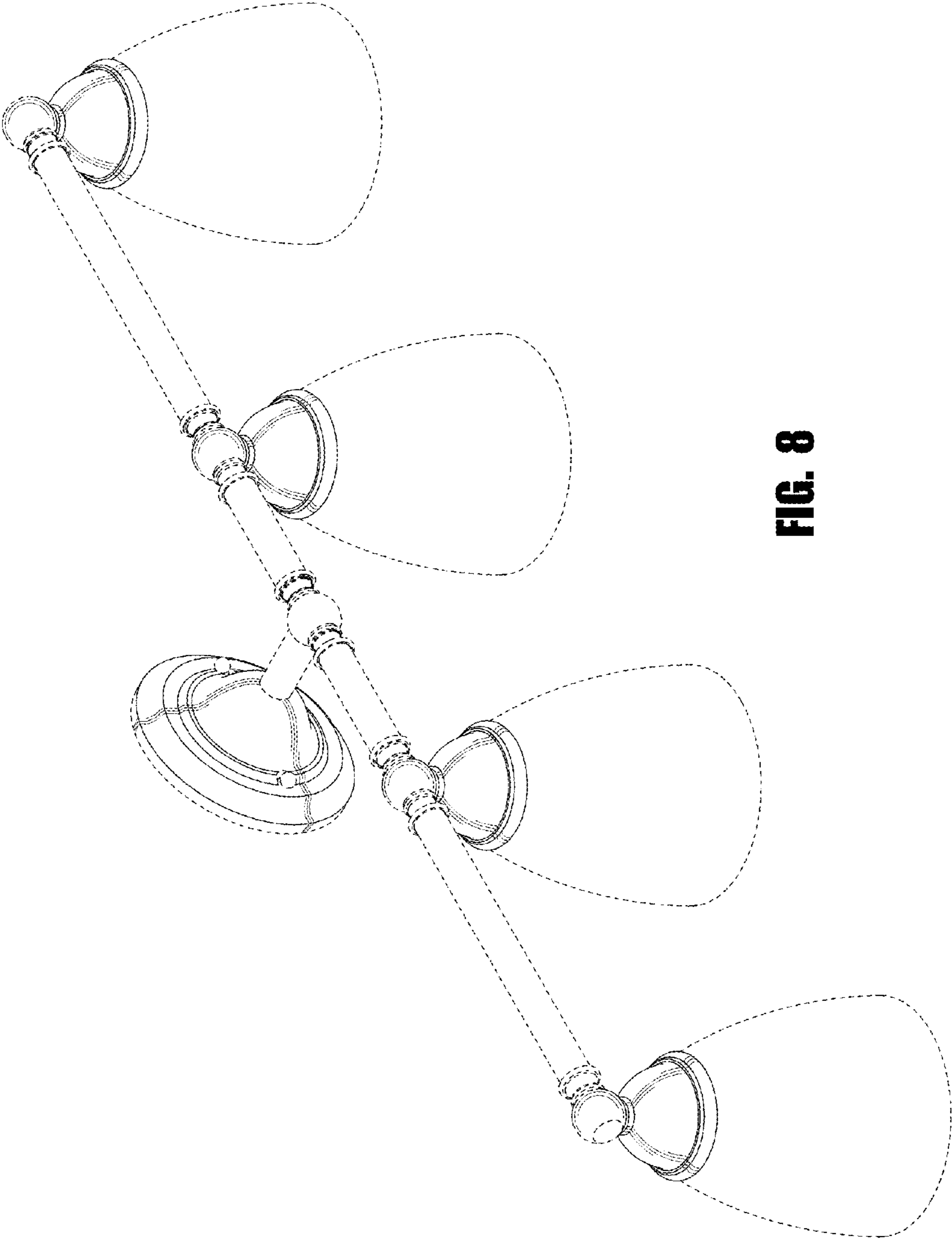


**FIG. 6**



**FIG. 7**





**FIG. 8**