



US00D722399S

(12) **United States Design Patent**
Dubosc

(10) **Patent No.:** **US D722,399 S**
(45) **Date of Patent:** **** Feb. 10, 2015**

(54) **LIGHTING UNIT FOR A VEHICLE**

(71) Applicant: **Valeo Vision**, Bobigny Ceder (FR)

(72) Inventor: **Christophe Dubosc**, Villemomble (FR)

(73) Assignee: **Valeo Vision**, Bobigny (FR)

(**) Term: **14 Years**

(21) Appl. No.: **29/448,943**

(22) Filed: **Mar. 14, 2013**

(30) **Foreign Application Priority Data**

Sep. 14, 2012 (EM) 002103549-0001

(51) **LOC (10) Cl.** **26-06**

(52) **U.S. Cl.**
USPC **D26/28**

(58) **Field of Classification Search**
USPC D26/28-36; 362/459-468, 475-478,
362/485-487

See application file for complete search history.

(56) **References Cited**

U.S. PATENT DOCUMENTS

D550,380 S * 9/2007 Lin et al. D26/28
D560,291 S * 1/2008 Koyama D26/28

D560,832 S * 1/2008 Hsu D26/28
D561,358 S * 2/2008 Tachibana D26/28
D561,359 S * 2/2008 Hsu D26/28
D563,576 S * 3/2008 Hanaoka D26/28
D569,533 S * 5/2008 Hsu D26/28
D570,007 S * 5/2008 Hsu D26/28
D593,232 S * 5/2009 Koman et al. D26/28
D690,853 S * 10/2013 Huang D26/28

* cited by examiner

Primary Examiner — Marcus Jackson

(74) *Attorney, Agent, or Firm* — Oblon, Spivak,
McClelland, Maier & Neustadt, L.L.P.

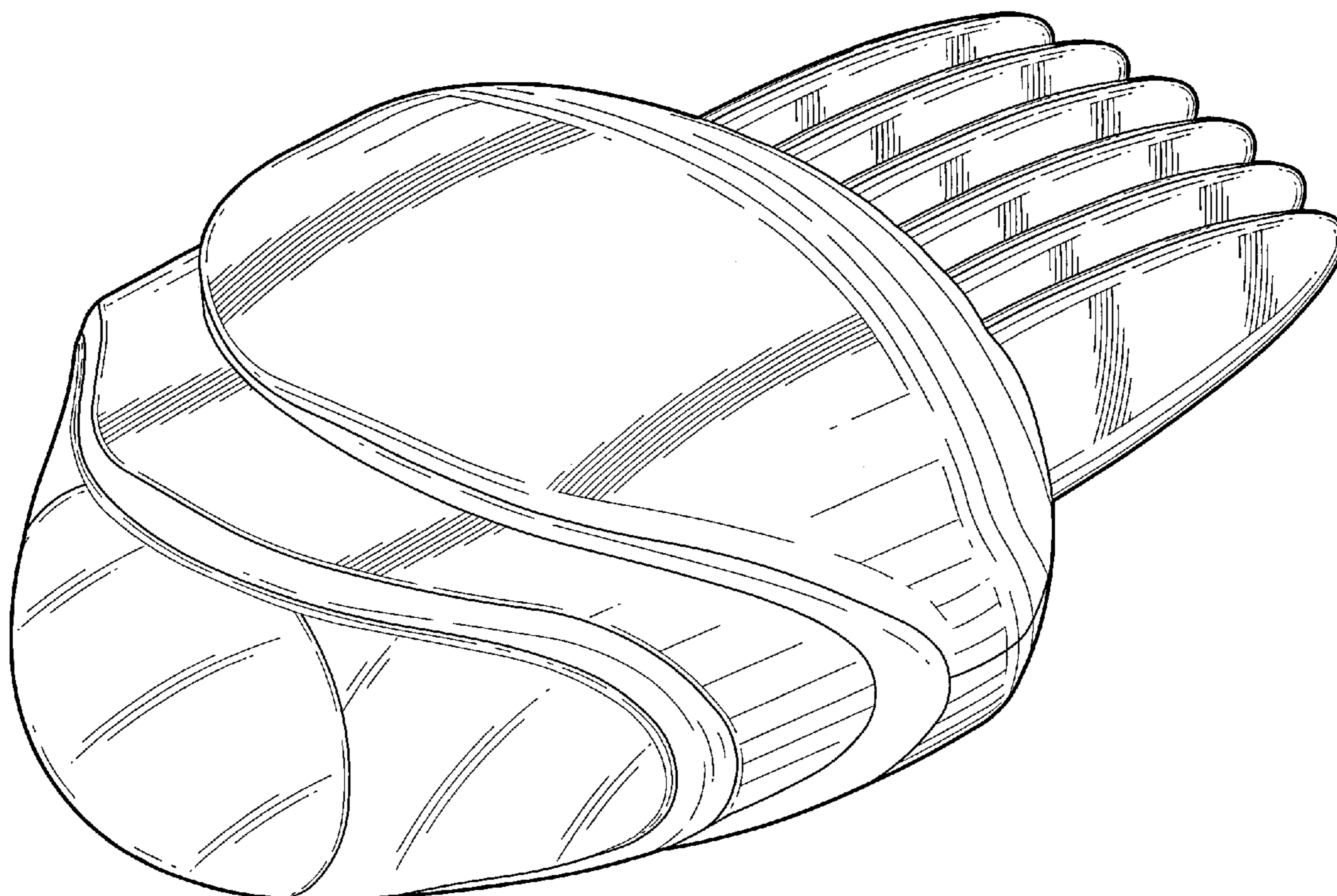
(57) **CLAIM**

The ornamental design for a lighting unit for a vehicle, as shown and described.

DESCRIPTION

FIG. 1 is a front, top, and right side perspective view of a lighting unit for a vehicle;
FIG. 2 is a front elevational view thereof;
FIG. 3 is a rear elevational view thereof;
FIG. 4 is a top plan view thereof;
FIG. 5 is a bottom plan view thereof;
FIG. 6 is a left side elevational view thereof; and,
FIG. 7 is a right side elevational view thereof.

1 Claim, 7 Drawing Sheets



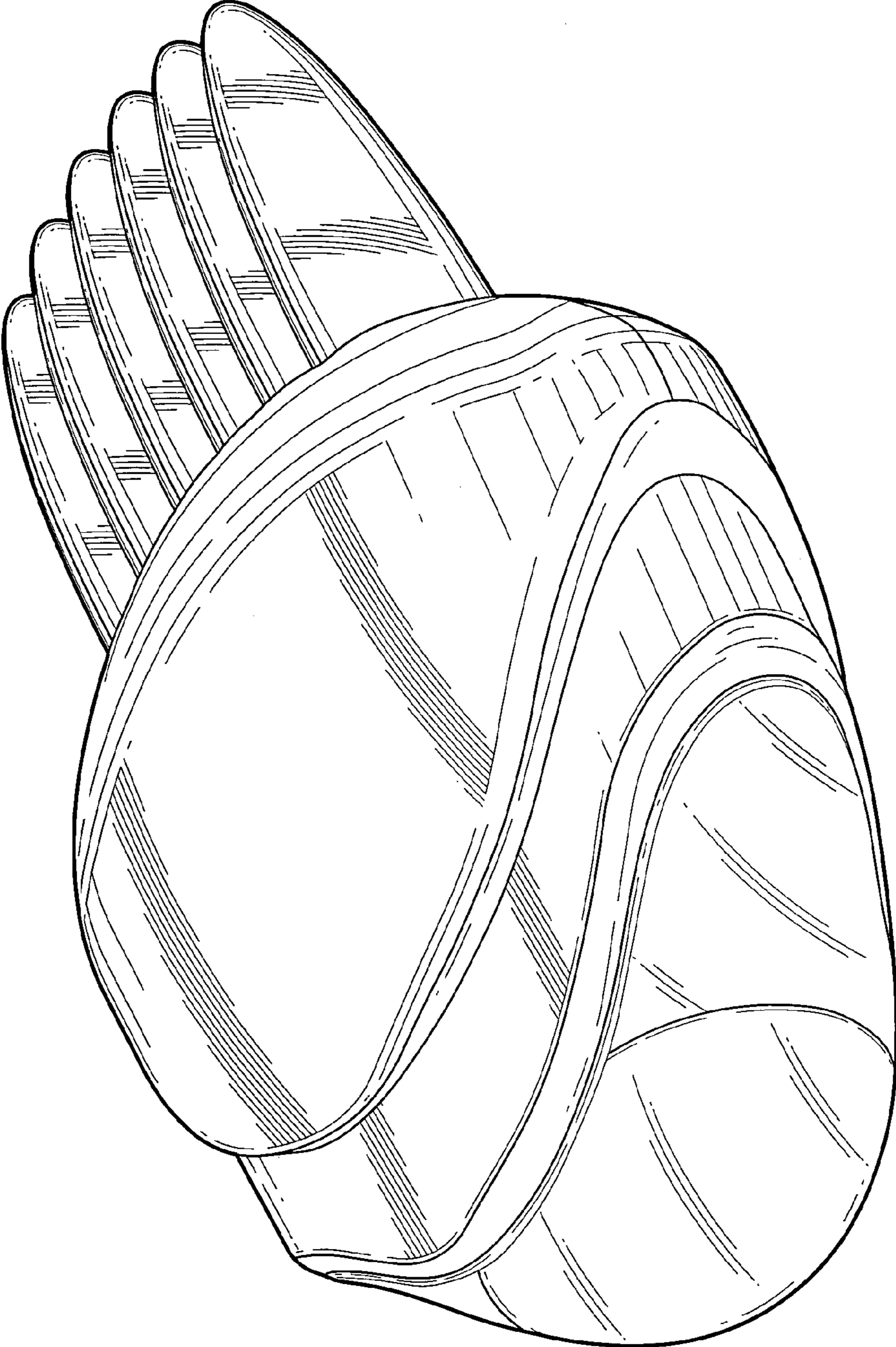


Fig. 1

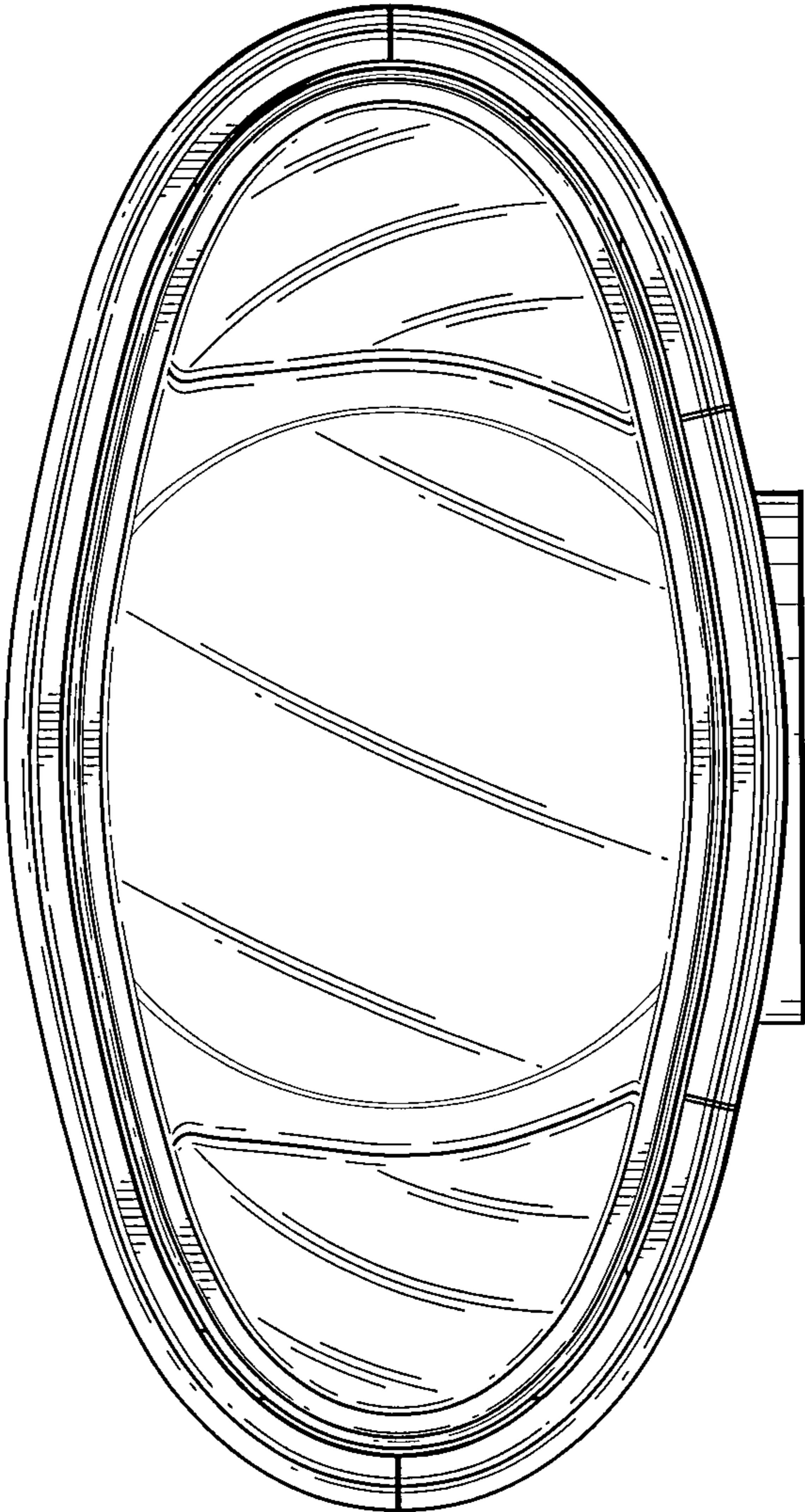


Fig. 2

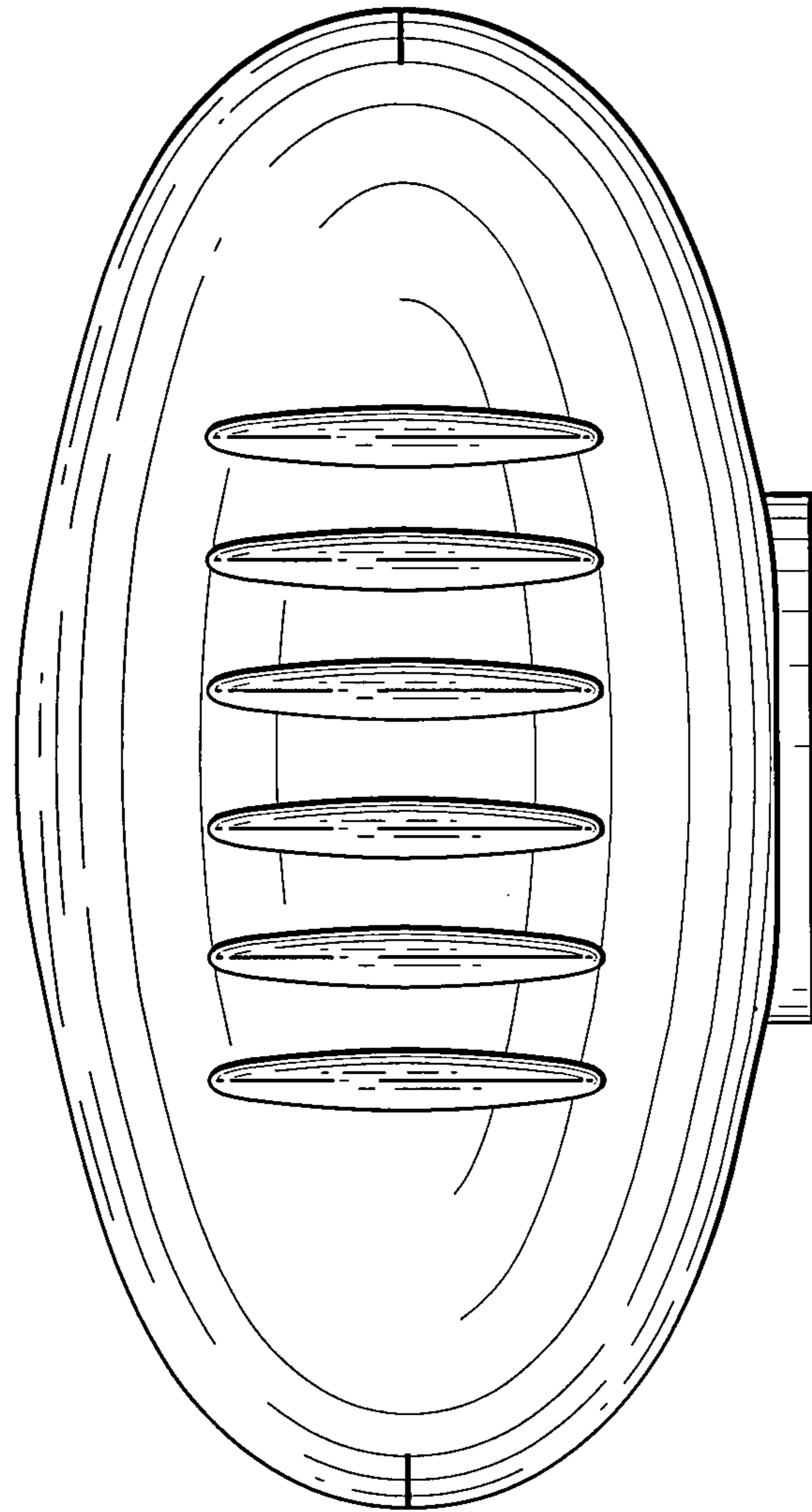


Fig. 3

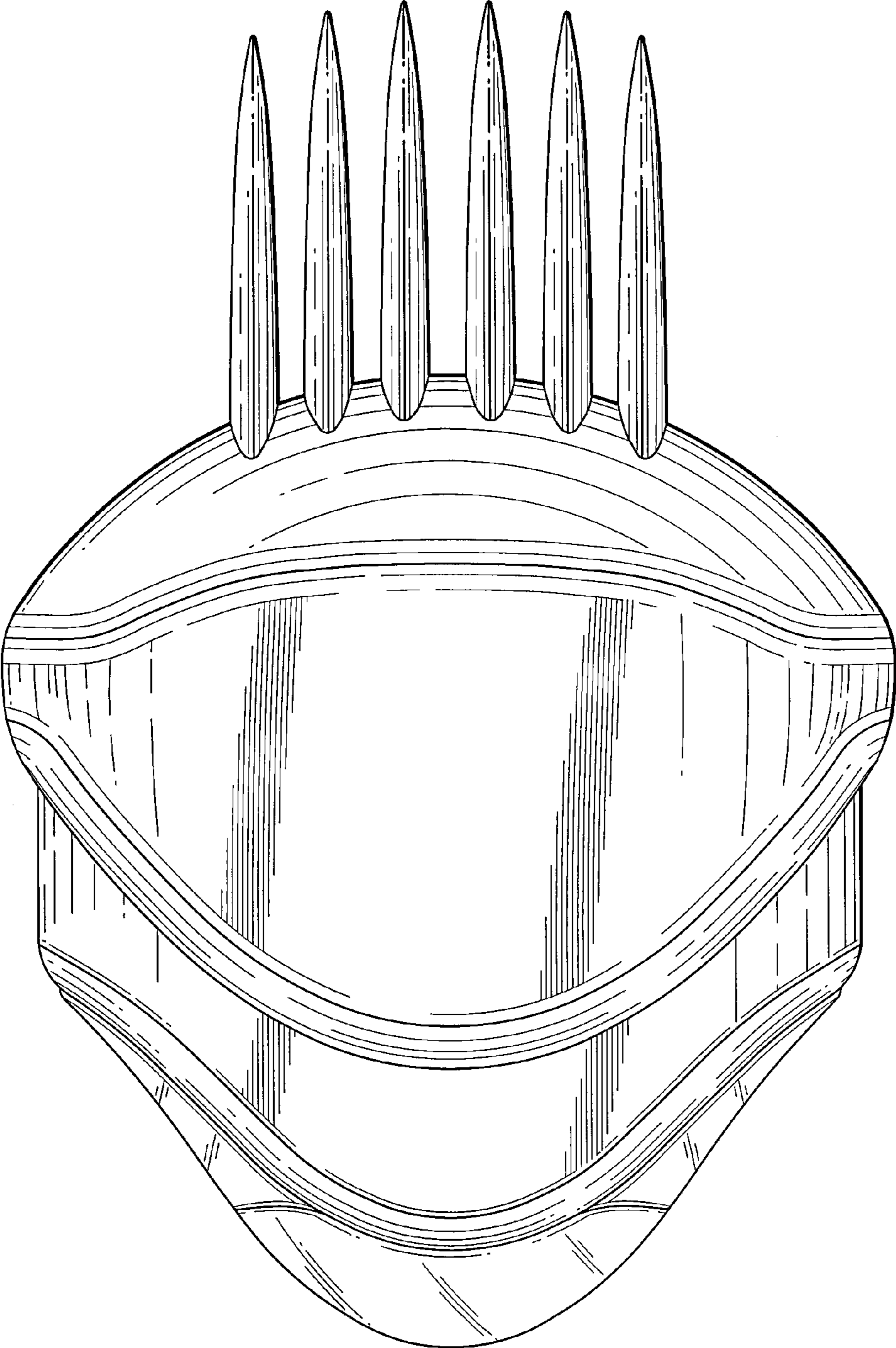


Fig. 4

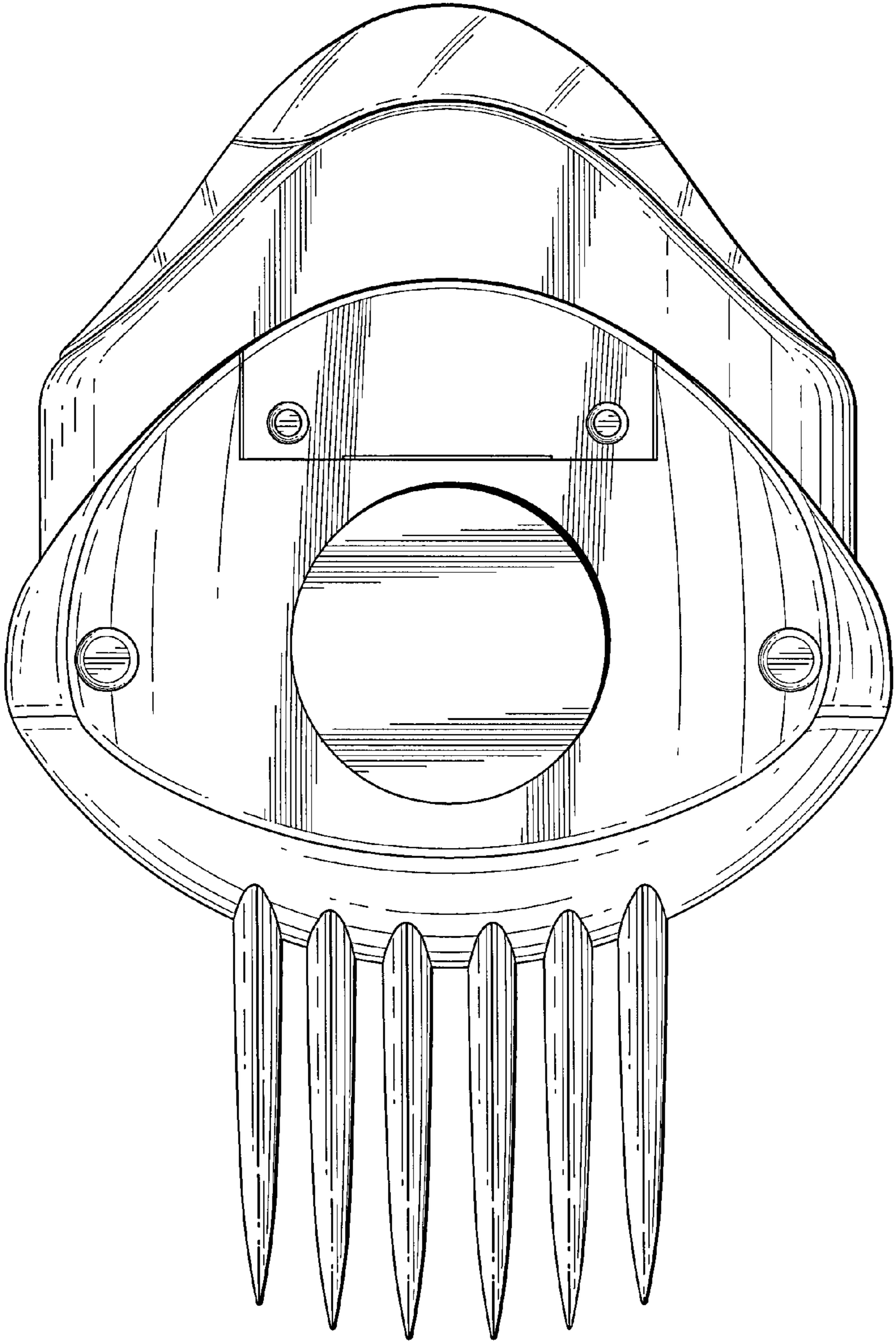


Fig. 5

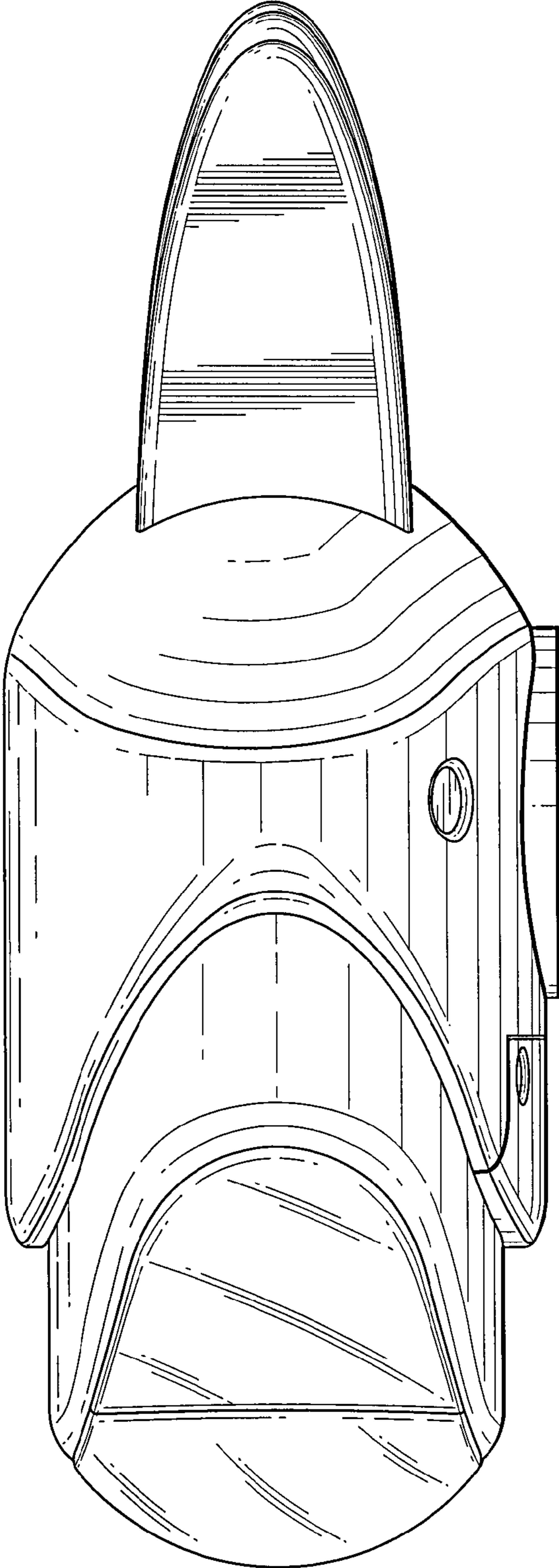


Fig. 6

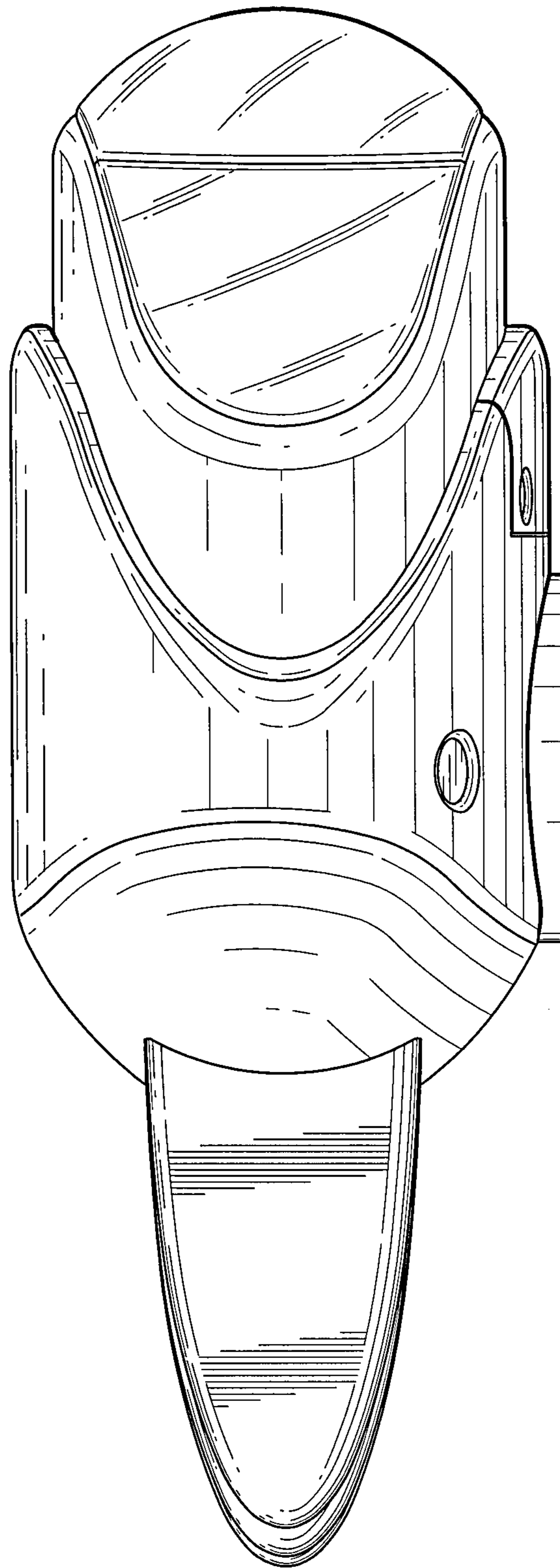


Fig. 7