



US00D722398S

(12) **United States Design Patent**
Tewell et al.

(10) **Patent No.:** **US D722,398 S**
(45) **Date of Patent:** **** Feb. 10, 2015**

(54) **LIGHT MODULE FOR A VEHICLE
HEADLIGHT ASSEMBLY AND TAILLIGHT
ASSEMBLY**

(71) Applicants: **Tony J. Tewell**, Meridian, ID (US);
Nicholaus M. Thompson, Nampa, ID
(US)

(72) Inventors: **Tony J. Tewell**, Meridian, ID (US);
Nicholaus M. Thompson, Nampa, ID
(US)

(73) Assignee: **Electronic Controls Company**, Boise,
ID (US)

(**) Term: **14 Years**

(21) Appl. No.: **29/448,906**

(22) Filed: **Mar. 14, 2013**

(51) **LOC (10) Cl.** **26-06**

(52) **U.S. Cl.**
USPC **D26/28**

(58) **Field of Classification Search**
USPC D26/28-36; 362/459-468, 475-478,
362/485-487
See application file for complete search history.

(56) **References Cited**

U.S. PATENT DOCUMENTS

D490,172 S *	5/2004	Yamamoto	D26/28
D521,162 S *	5/2006	Campagna	D26/28
D564,683 S *	3/2008	Roach et al.	D26/28
D570,011 S *	5/2008	Huang	D26/28
D574,978 S *	8/2008	Hyodo et al.	D26/28
D638,963 S *	5/2011	Huang	D26/28

* cited by examiner

Primary Examiner — Marcus Jackson

(74) *Attorney, Agent, or Firm* — Stoel Rives LLP

(57) **CLAIM**

We claim the ornamental design for a light module for a vehicle headlight assembly and taillight assembly, as shown and described.

DESCRIPTION

FIG. 1 is a top side isometric view of a light module, according to a first embodiment;

FIG. 2 is a bottom side isometric view thereof;

FIG. 3 is a top side elevation view thereof;

FIG. 4 is a side elevation view of the light module shown in FIG. 3, rotated 90° counterclockwise about a longitudinal axis thereof;

FIG. 5 is a side elevation view of the light module shown in FIG. 3, rotated 180° about a longitudinal axis thereof;

FIG. 6 is a front plan view thereof; and

FIG. 7 is a rear plan view thereof.

FIG. 8 is a top side isometric view of a light module, according to a second embodiment;

FIG. 9 is a bottom side isometric view thereof;

FIG. 10 is a top side elevation view thereof;

FIG. 11 is a side elevation view of the light module shown in FIG. 10, rotated 90° counterclockwise about a longitudinal axis thereof;

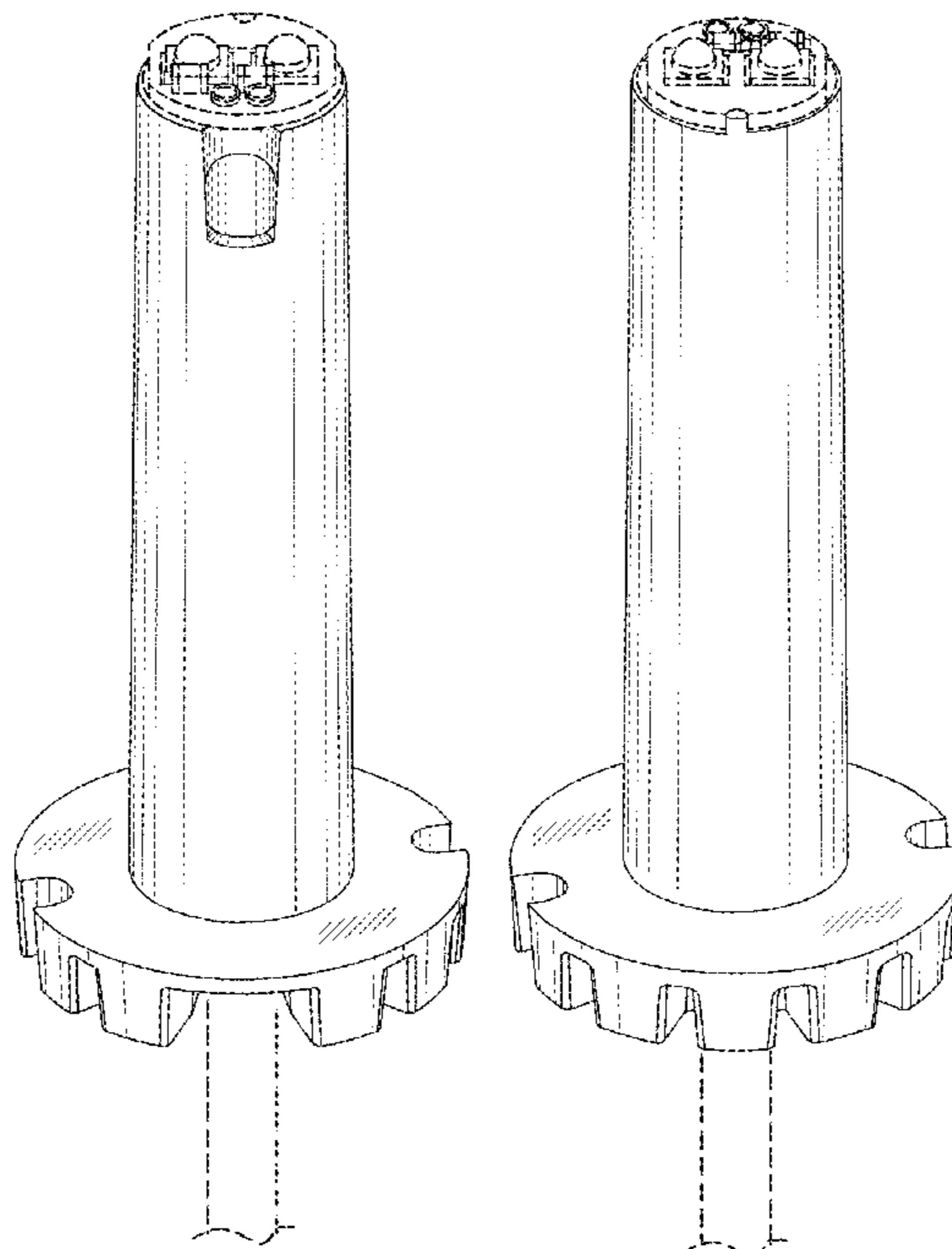
FIG. 12 is a side elevation view of the light module shown in FIG. 10, rotated 180° about a longitudinal axis thereof;

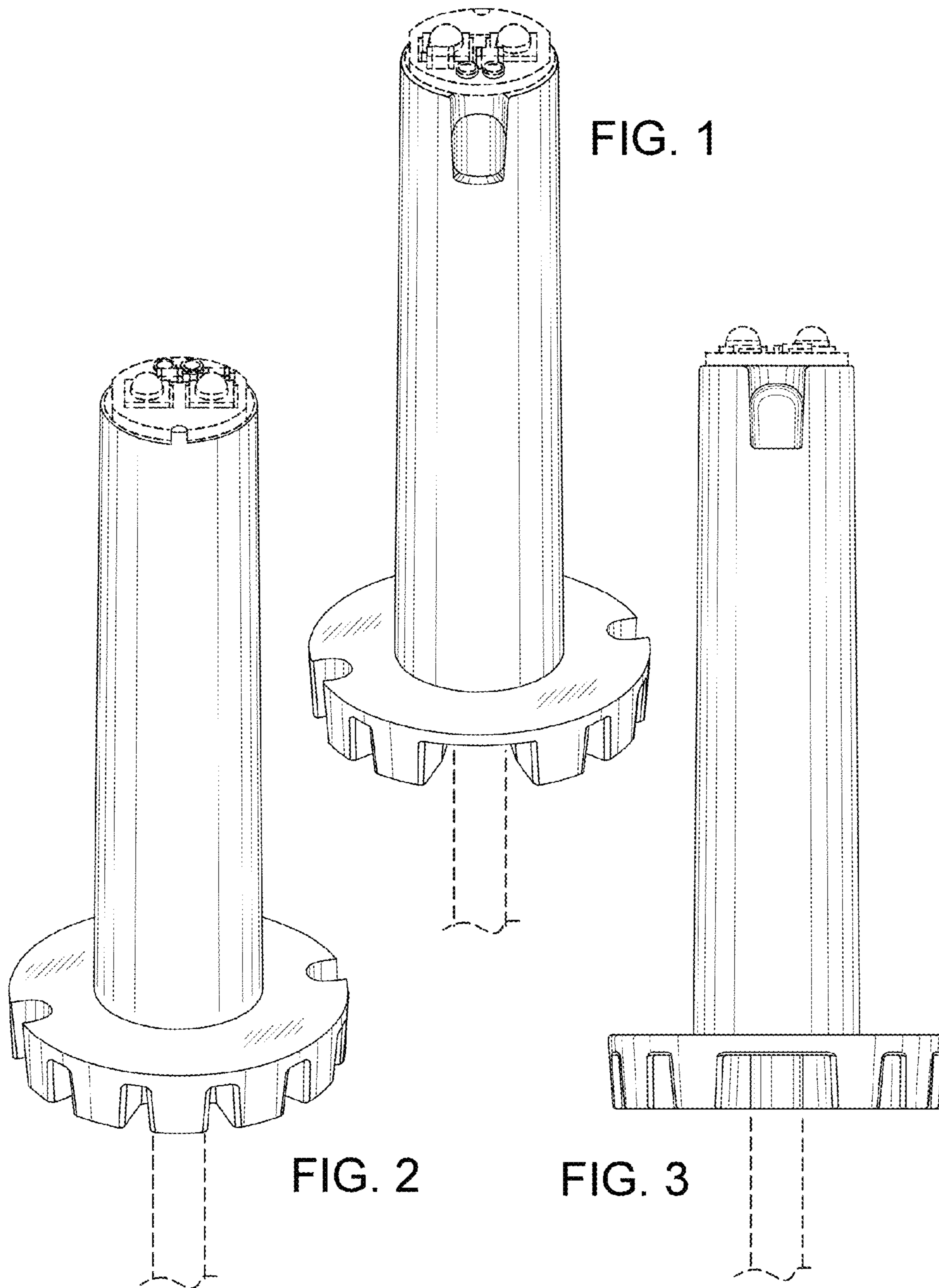
FIG. 13 is a front plan view; and,

FIG. 14 is a rear plan view thereof.

In FIGS. 1-14, broken lines are illustrative of environmental structure forming no part of the claimed design.

1 Claim, 4 Drawing Sheets





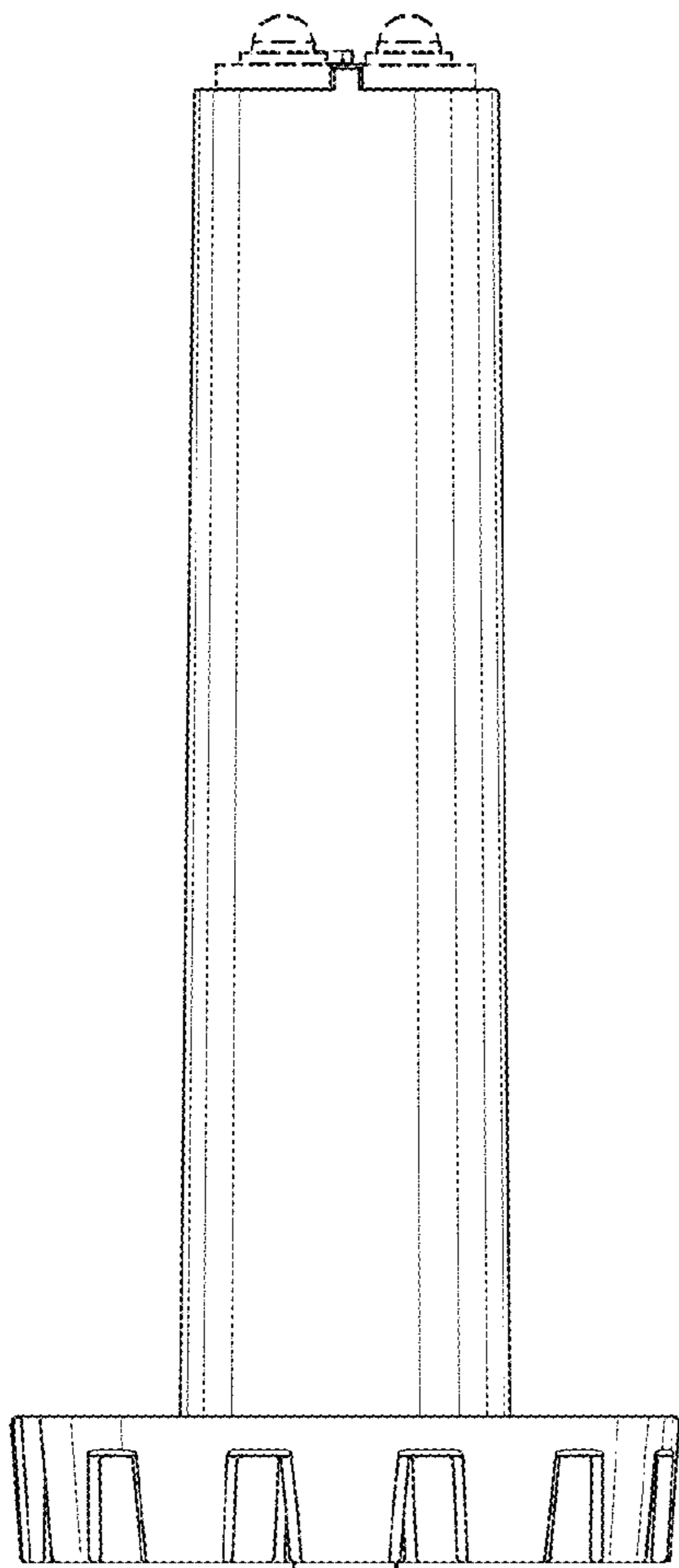


FIG. 5

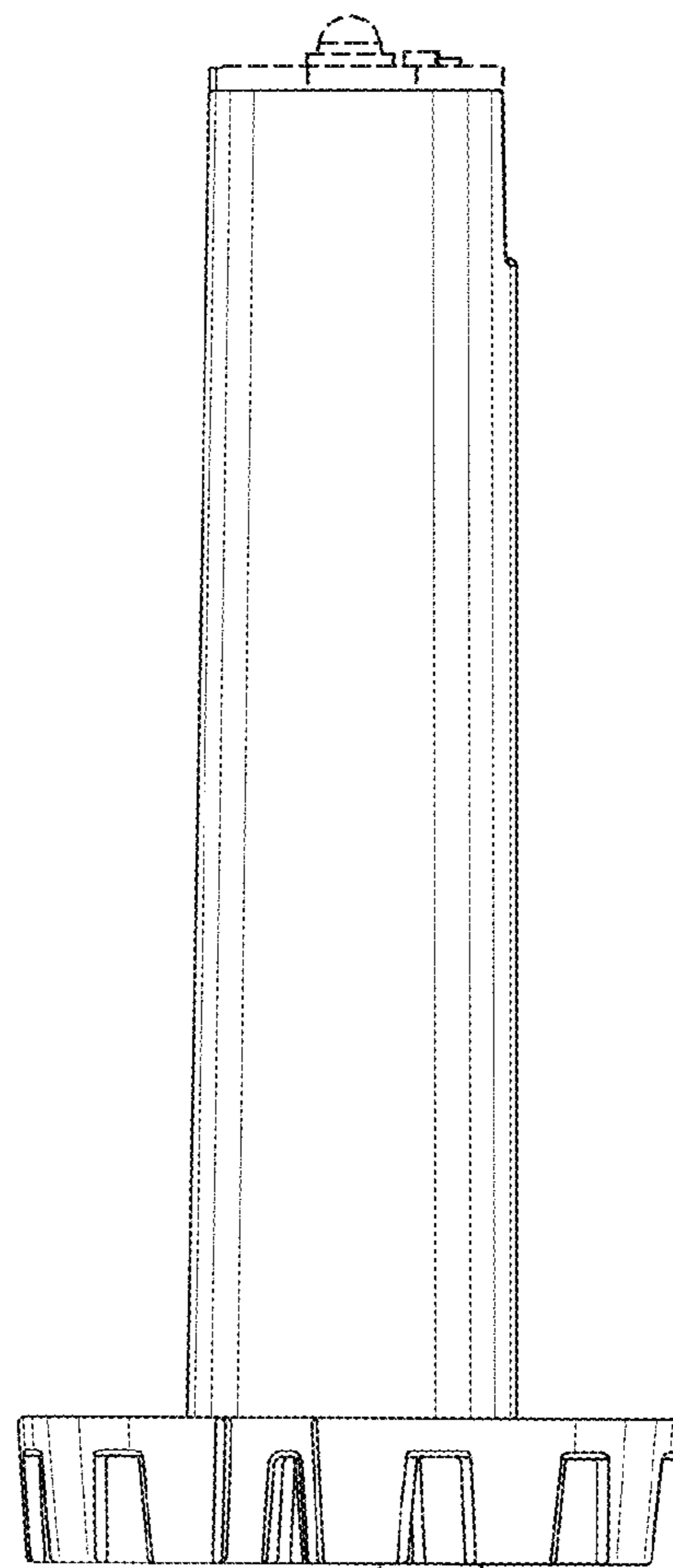


FIG. 4

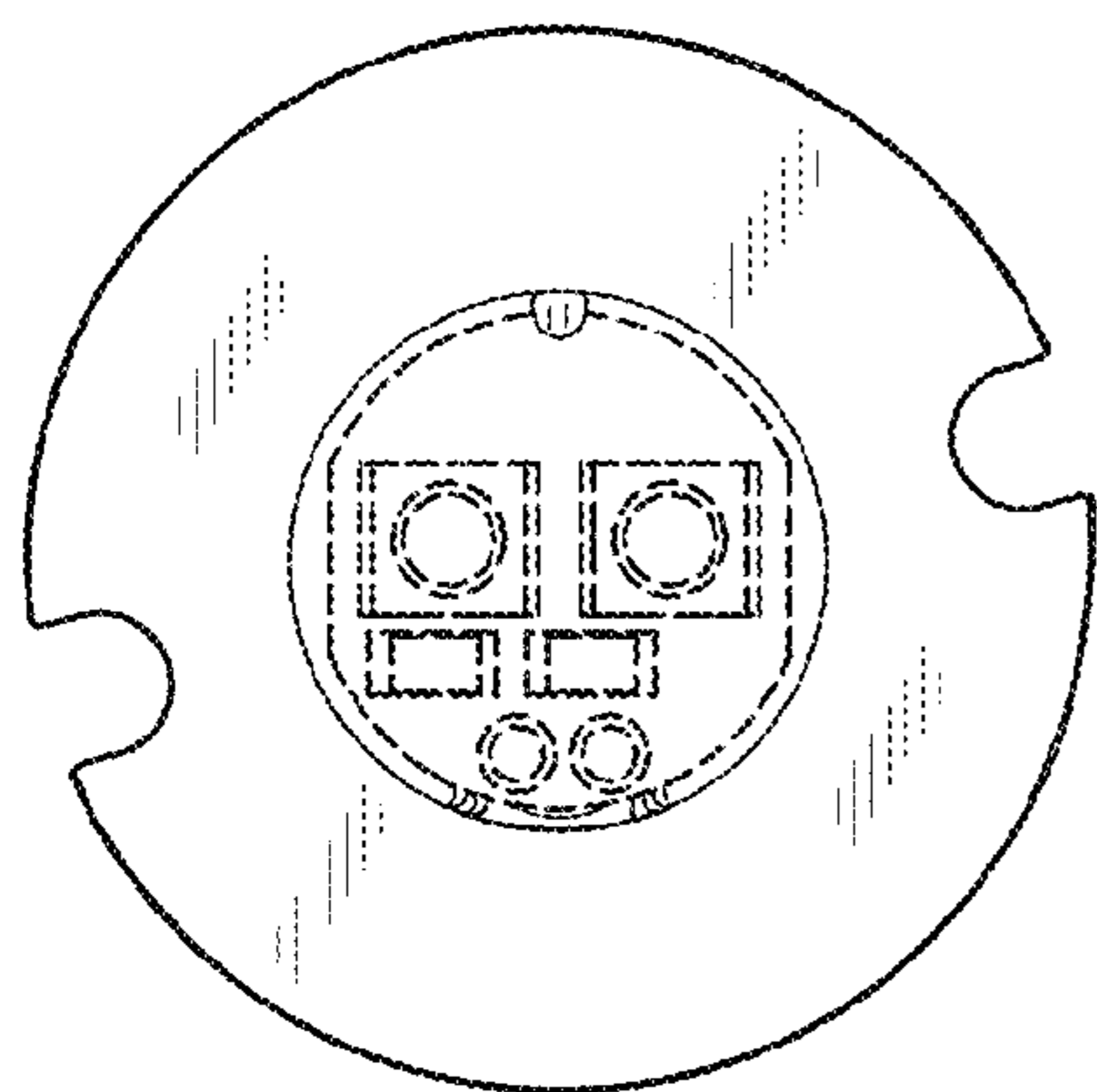


FIG. 6

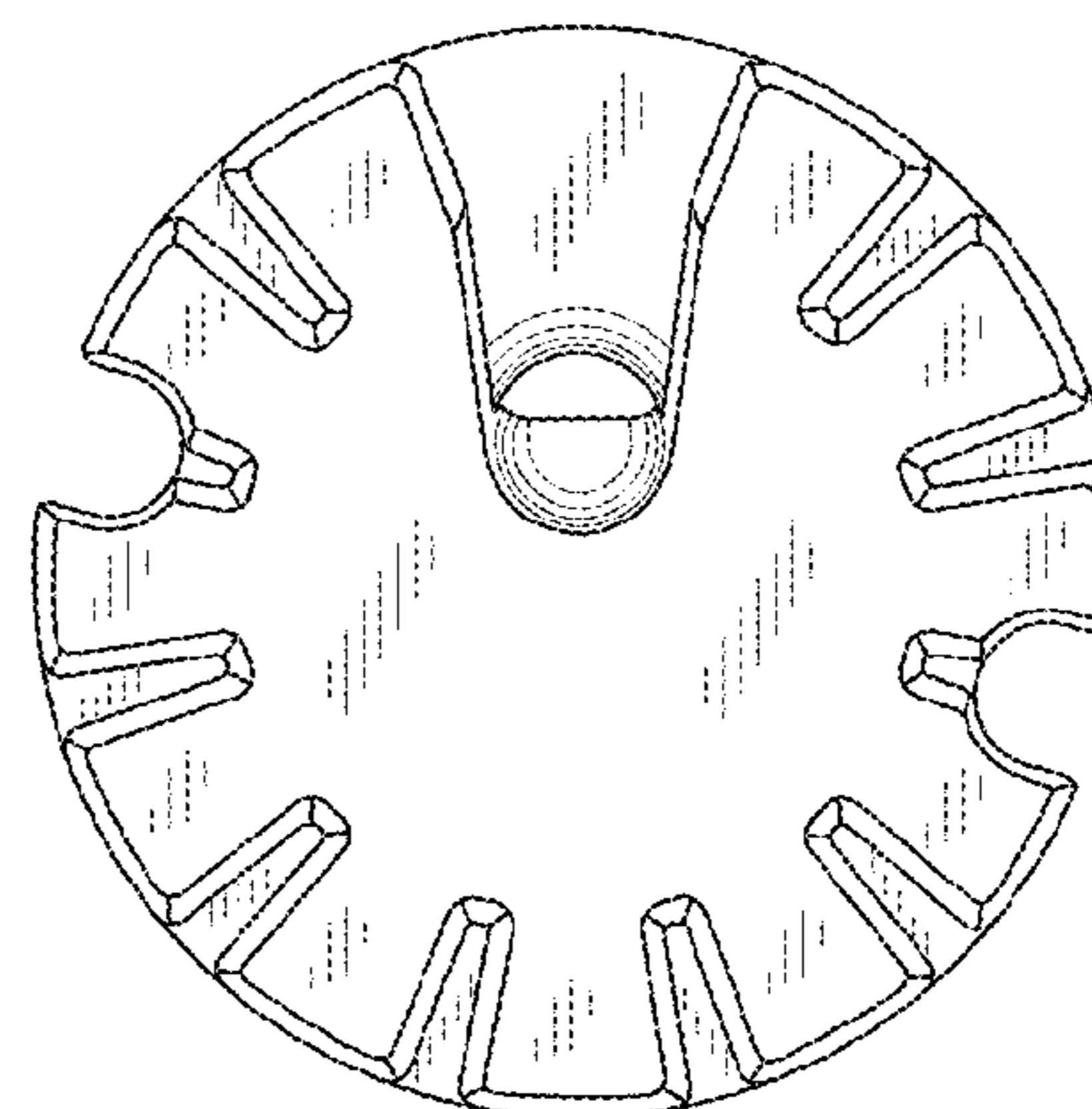
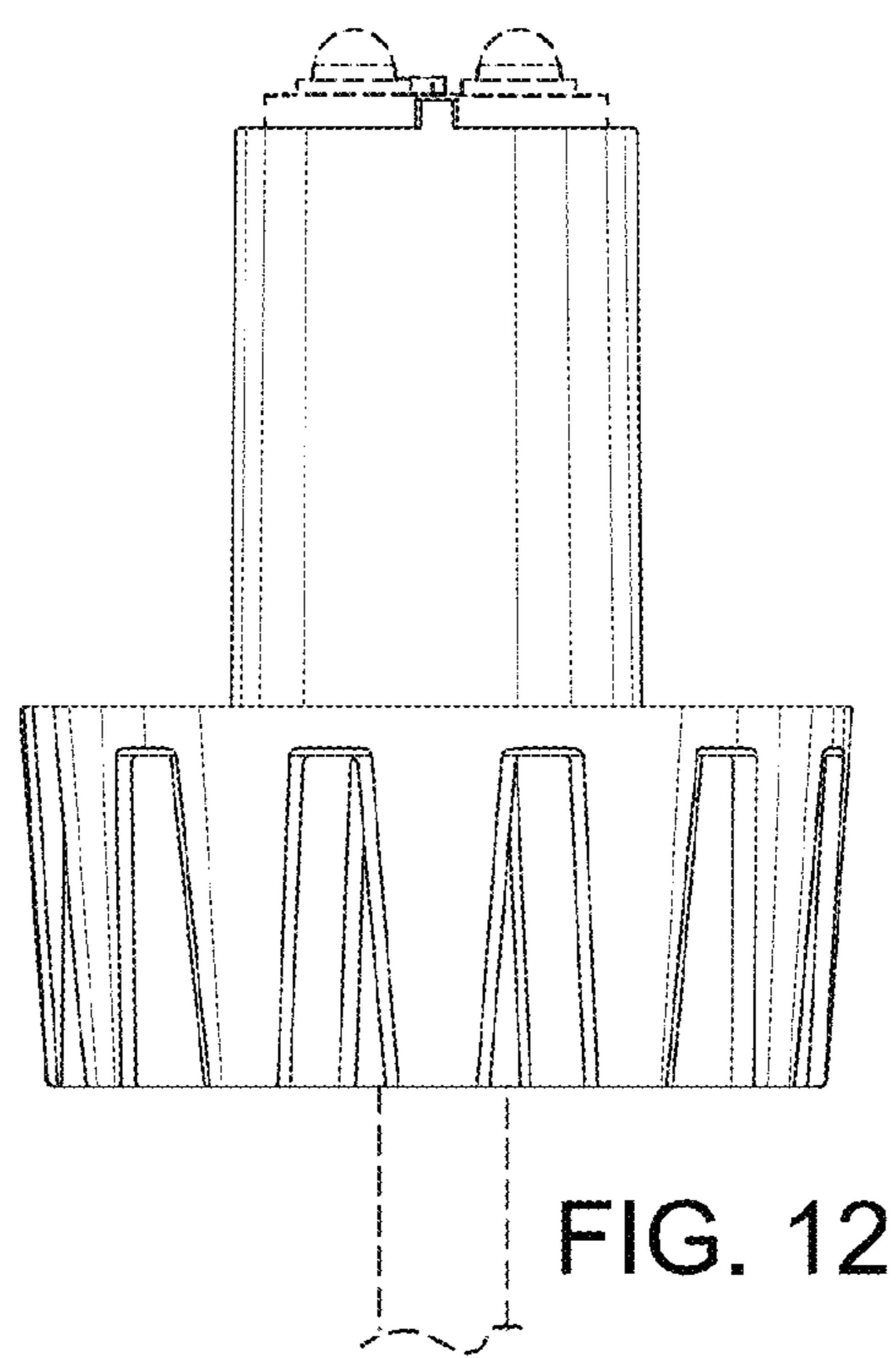
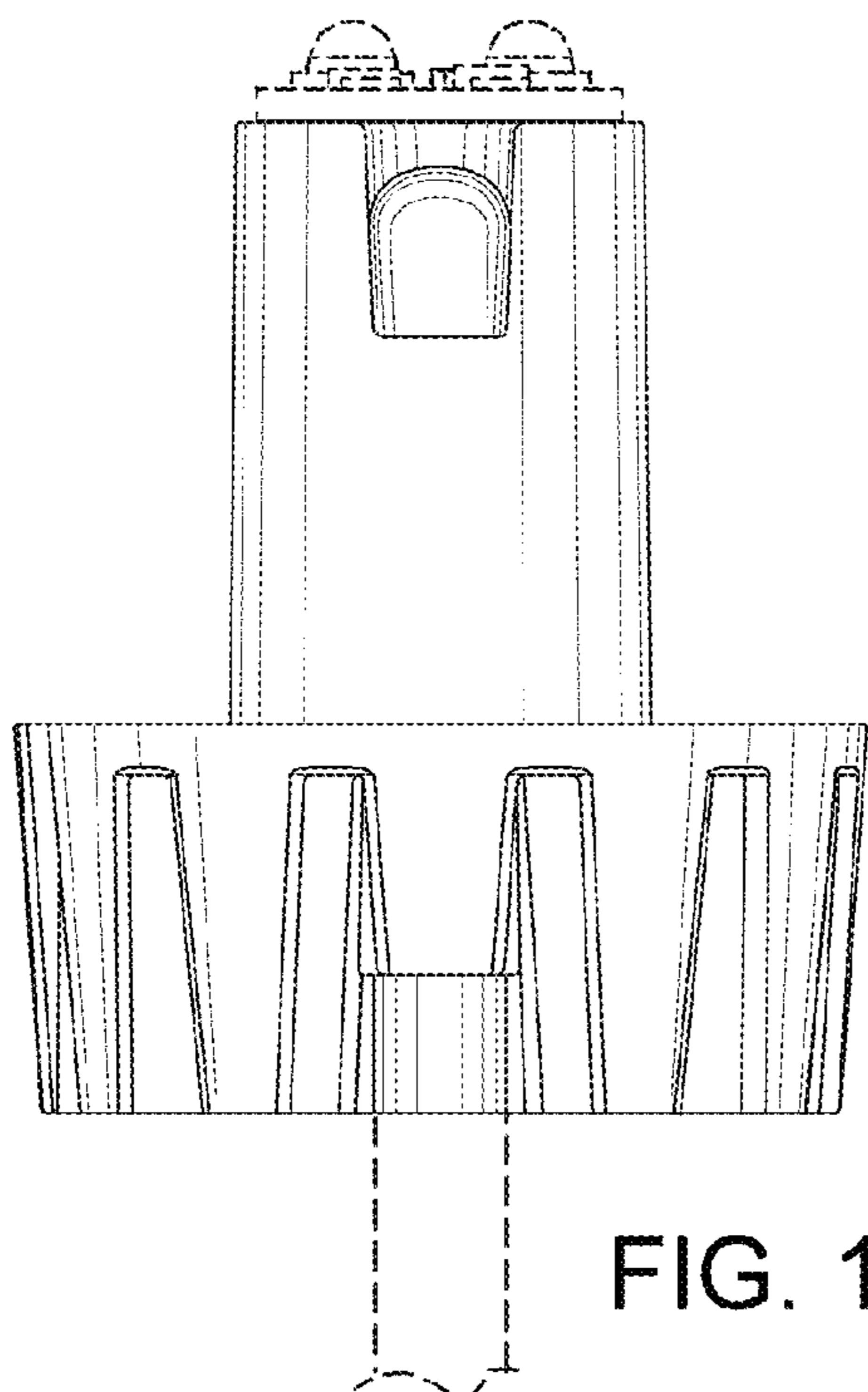
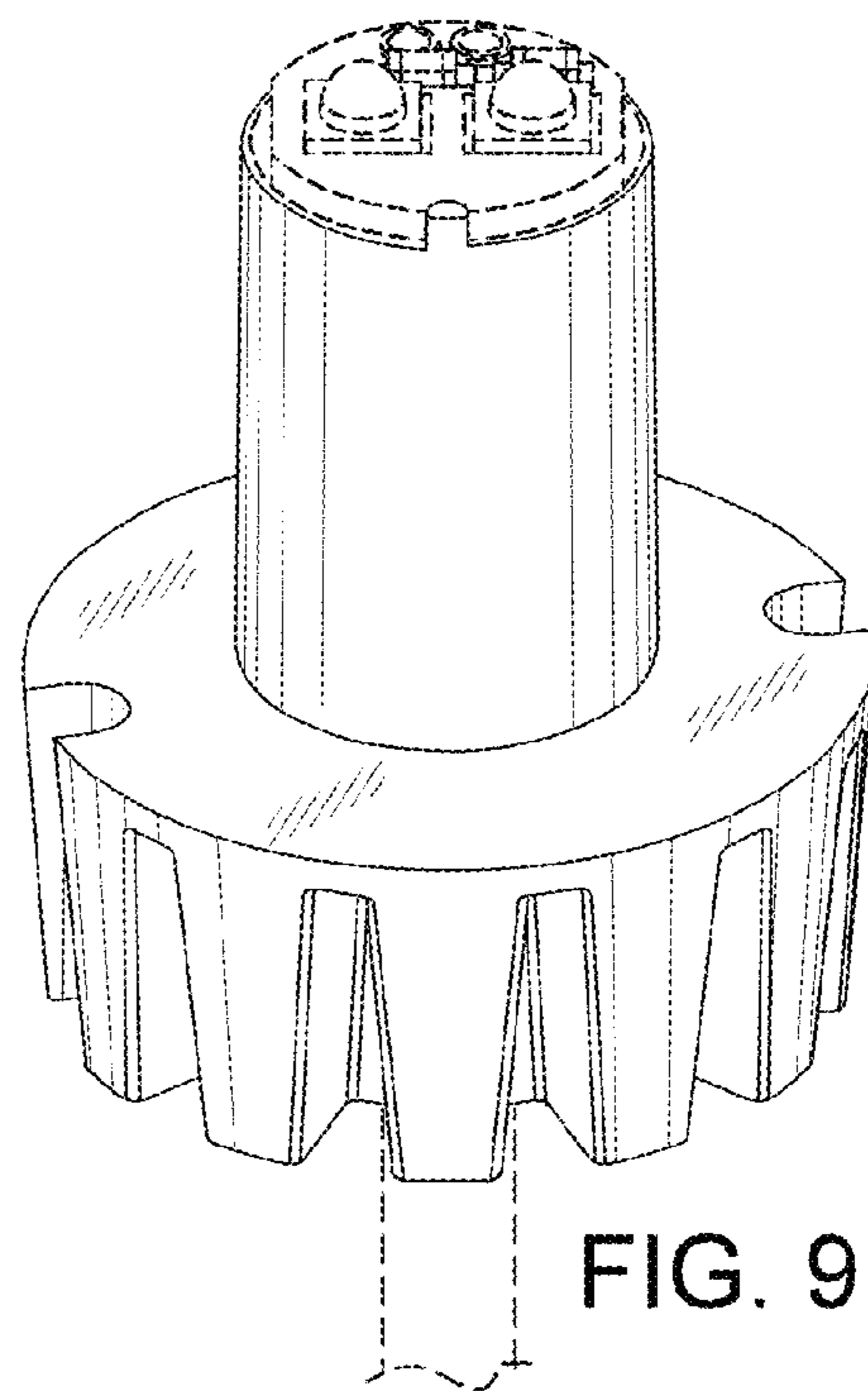
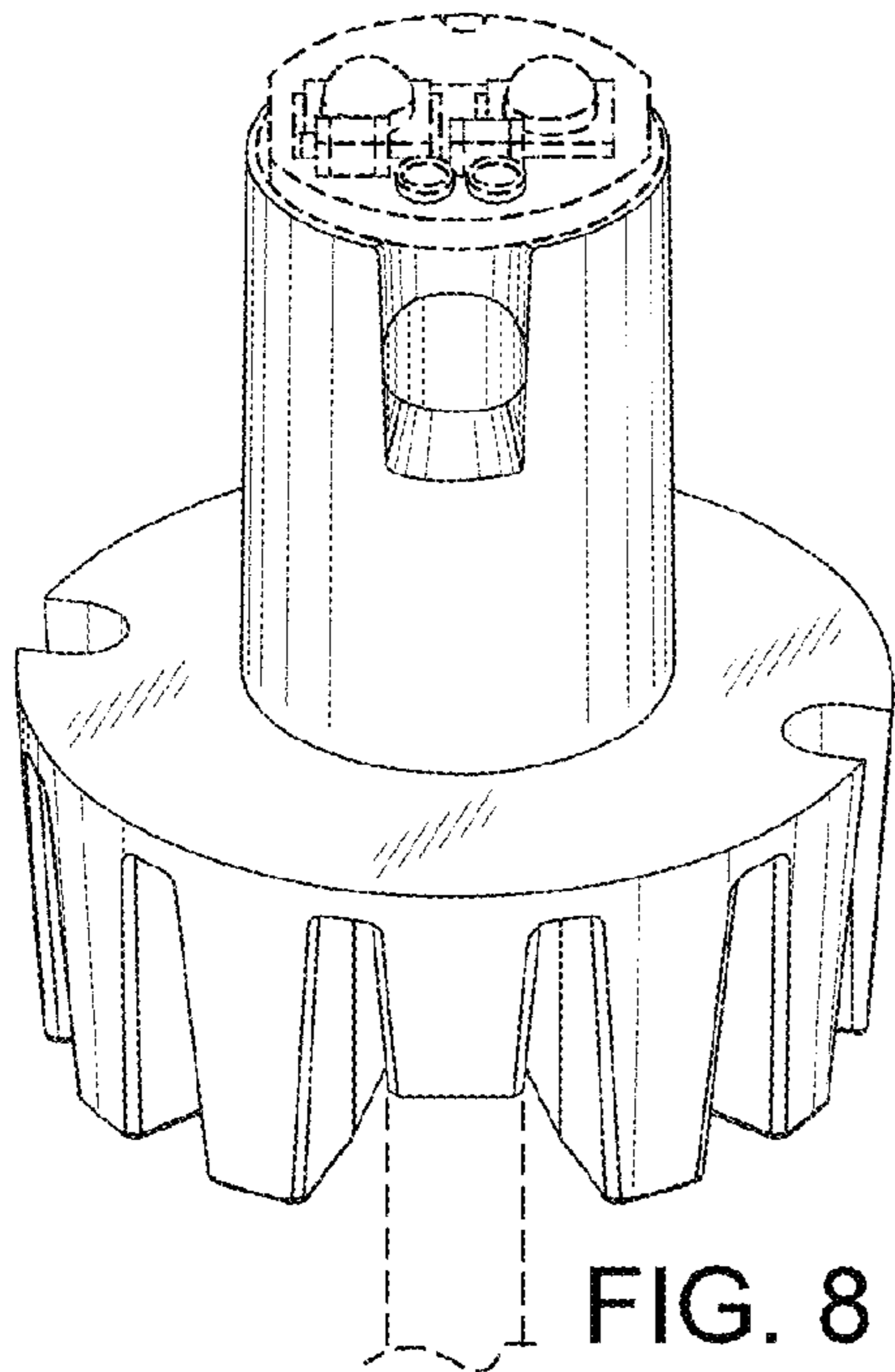


FIG. 7



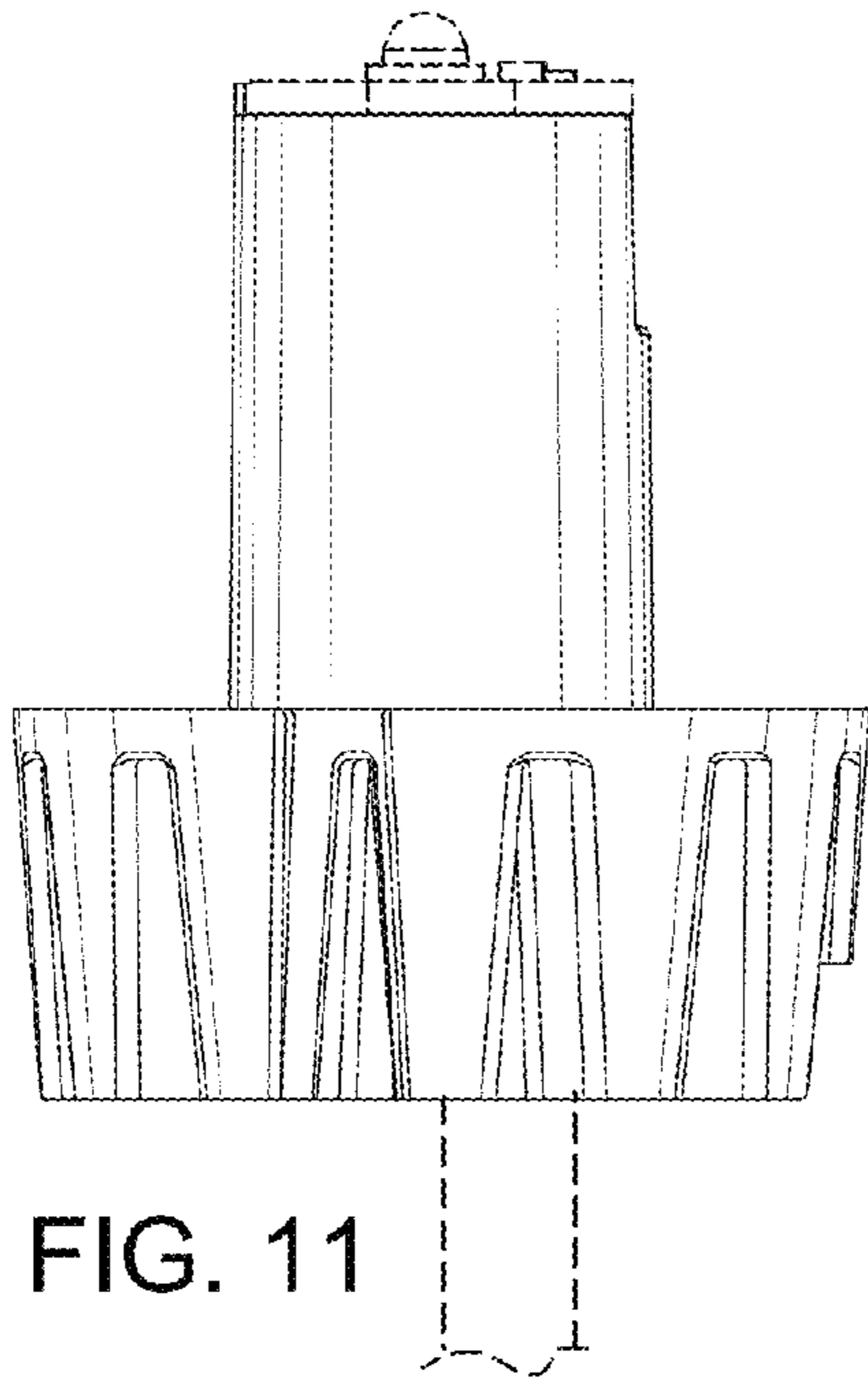


FIG. 11

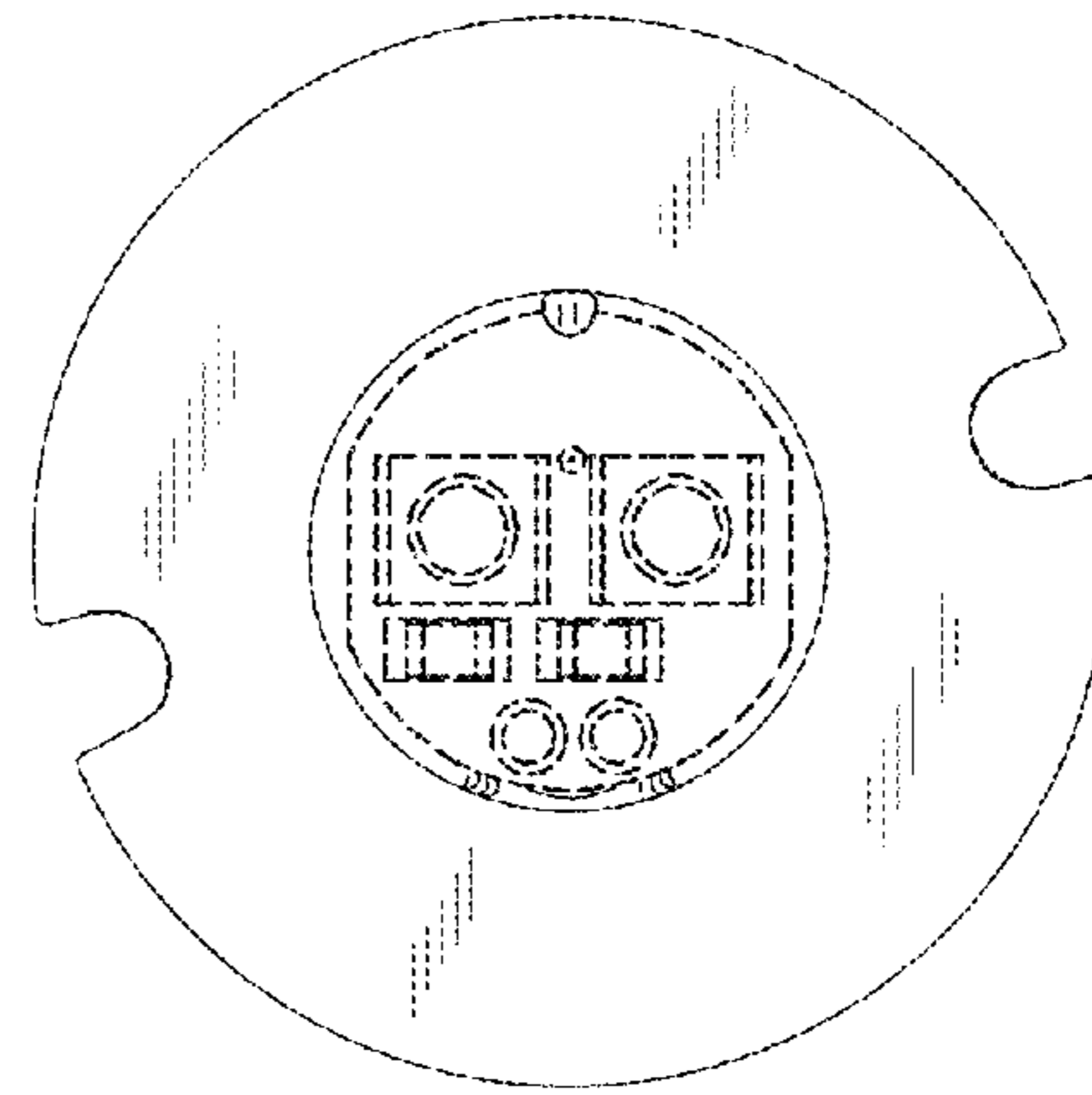


FIG. 13

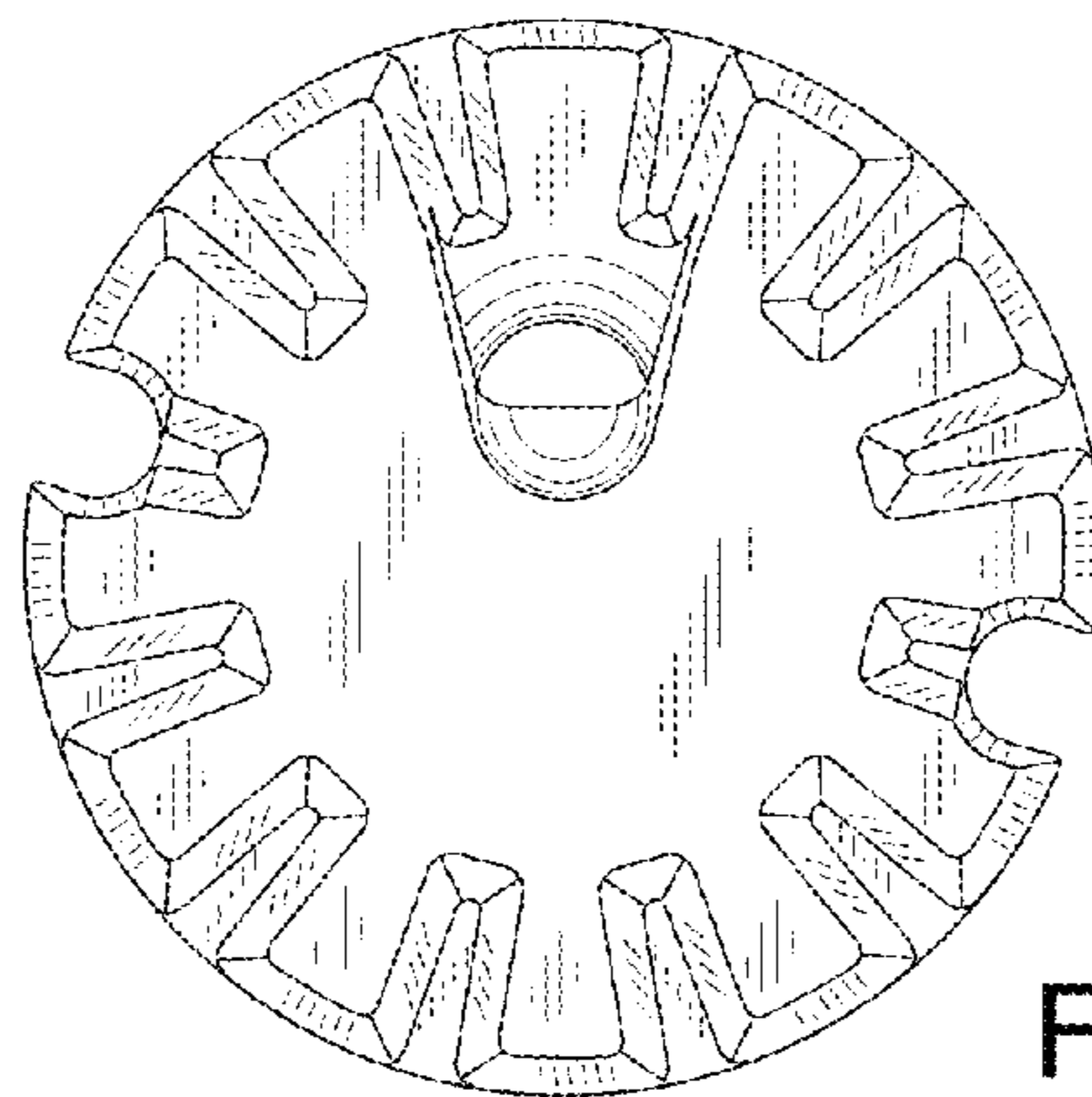


FIG. 14