



US00D722396S

(12) **United States Design Patent**
Yang

(10) **Patent No.:** **US D722,396 S**

(45) **Date of Patent:** **** Feb. 10, 2015**

(54) **DONUT LED LIGHT BULB**

(71) Applicant: **Tai-Her Yang**, Dzan-Hwa (TW)

(72) Inventor: **Tai-Her Yang**, Dzan-Hwa (TW)

(**) Term: **14 Years**

(21) Appl. No.: **29/476,757**

(22) Filed: **Dec. 17, 2013**

(51) **LOC (10) Cl.** **26-04**

(52) **U.S. Cl.**
USPC **D26/2**

(58) **Field of Classification Search**
USPC D26/1-4; 313/313, 315, 316, 317, 318,
313/493; 315/52, 53, 56, 57, 58
See application file for complete search history.

(56) **References Cited**

U.S. PATENT DOCUMENTS

D532,532 S * 11/2006 Maxik D26/2
D535,038 S * 1/2007 Egawa et al. D26/2

D553,266 S * 10/2007 Maxik D26/2
D566,300 S * 4/2008 Lo D26/2
D584,838 S * 1/2009 To et al. D26/2
D646,802 S * 10/2011 Guohui D26/2

* cited by examiner

Primary Examiner — Marcus Jackson

(74) *Attorney, Agent, or Firm* — Bacon & Thomas, PLLC

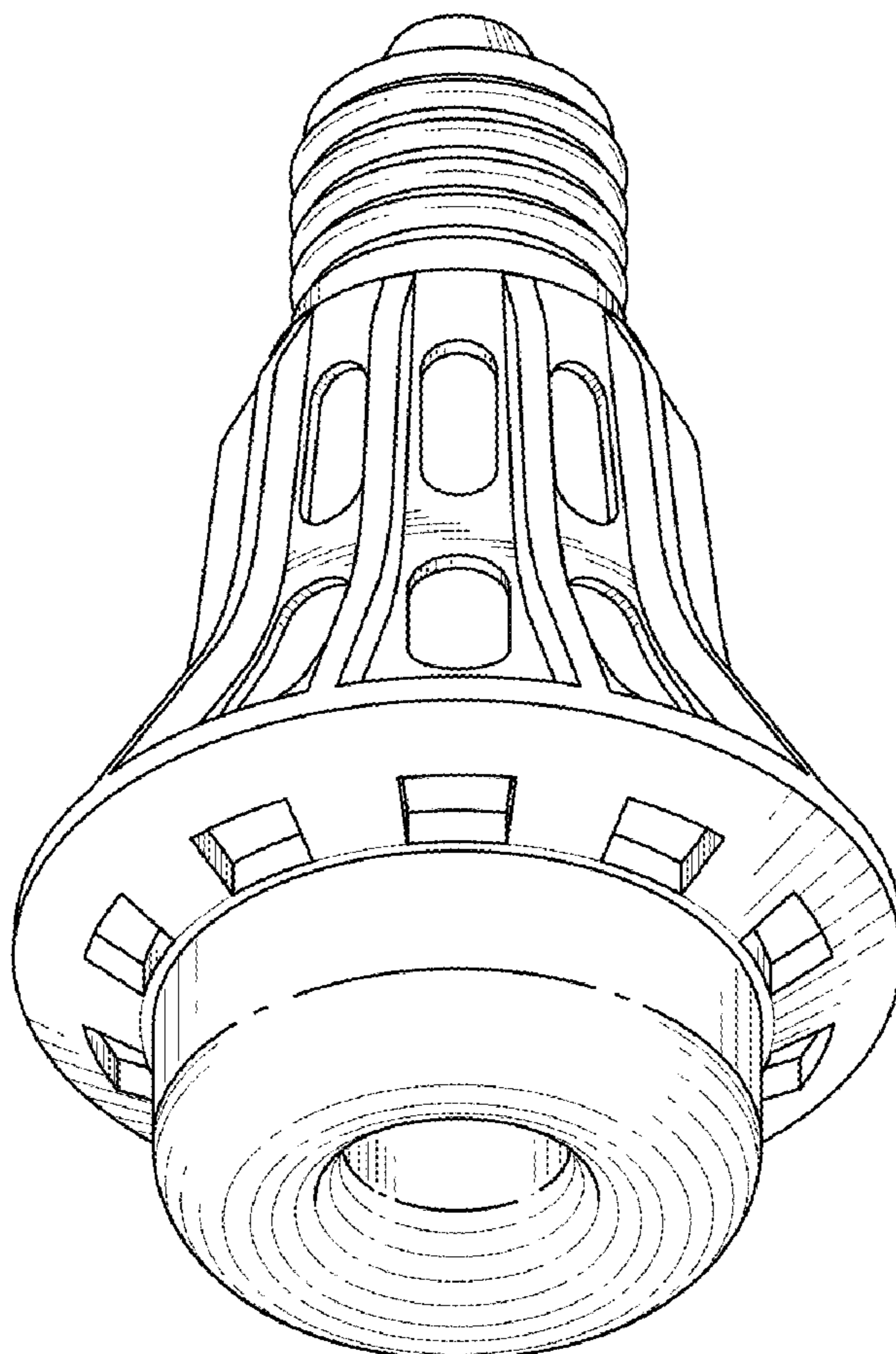
(57) **CLAIM**

The ornamental design for a donut LED light bulb, as shown and described.

DESCRIPTION

FIG. 1 is a perspective view of a donut LED light bulb showing my new design;
FIG. 2 is a front view thereof;
FIG. 3 is a rear view thereof;
FIG. 4 is a left side view thereof;
FIG. 5 is a right side view thereof;
FIG. 6 is a top plan view thereof; and,
FIG. 7 is a bottom plan view thereof.

1 Claim, 4 Drawing Sheets



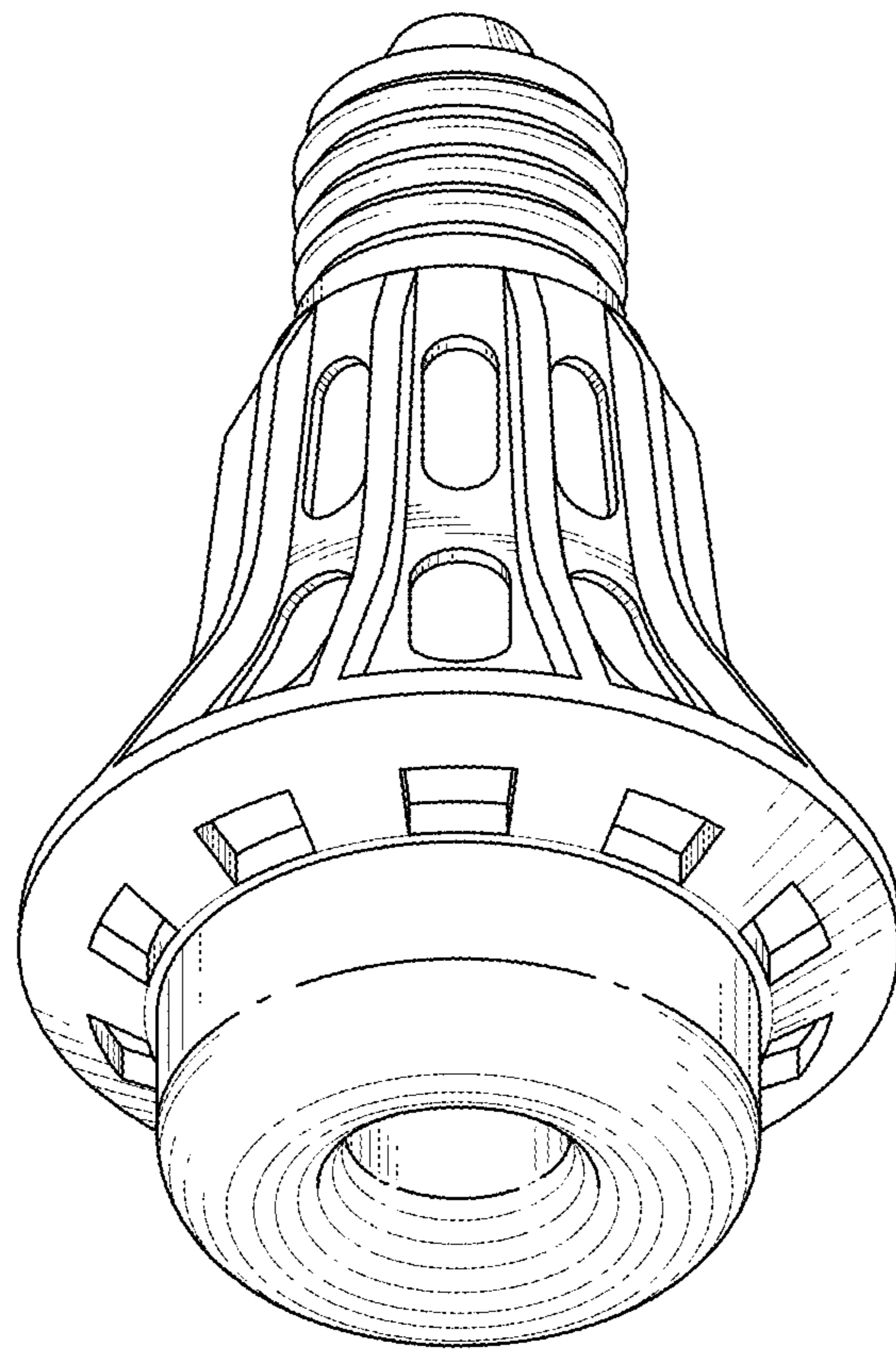


FIG. 1

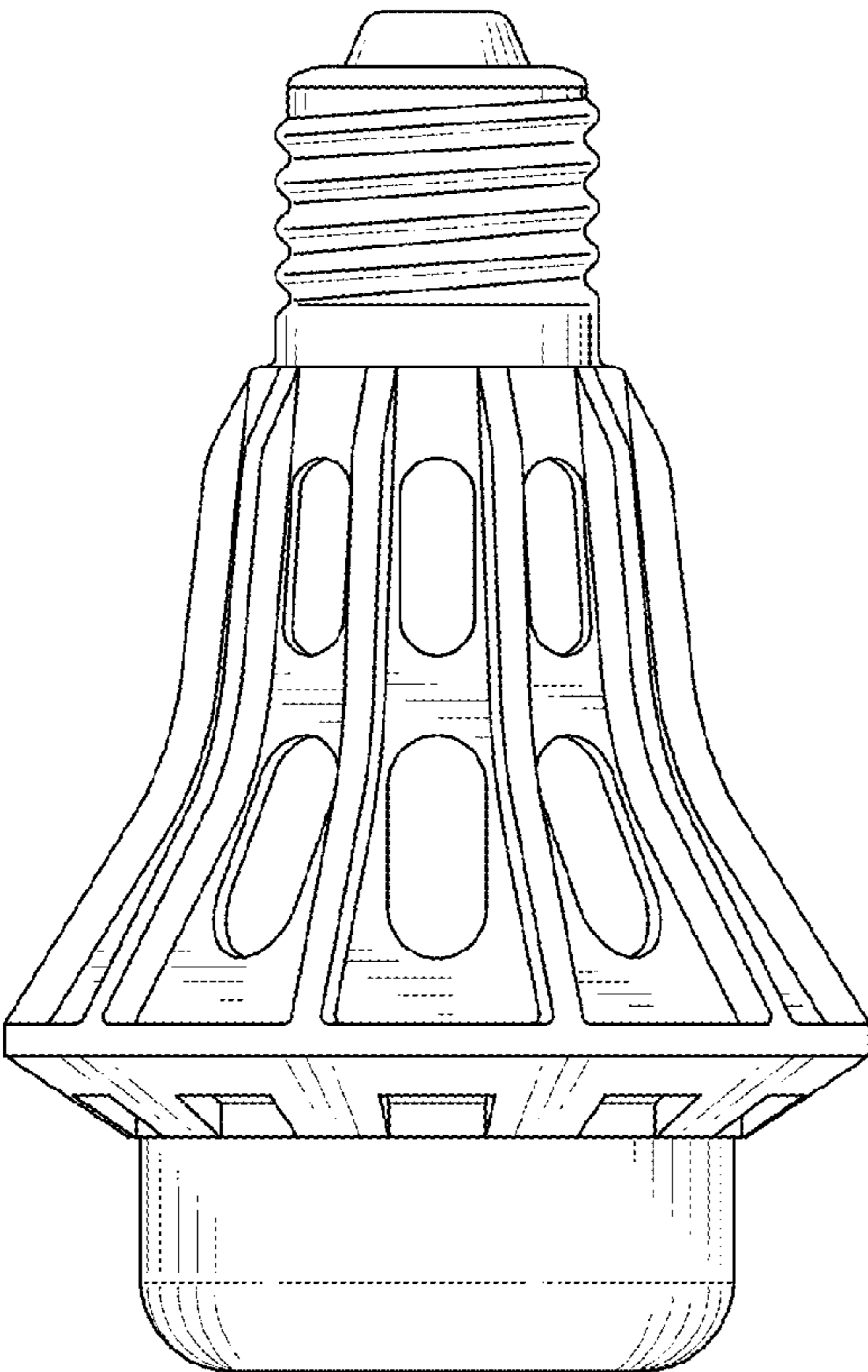


FIG. 2

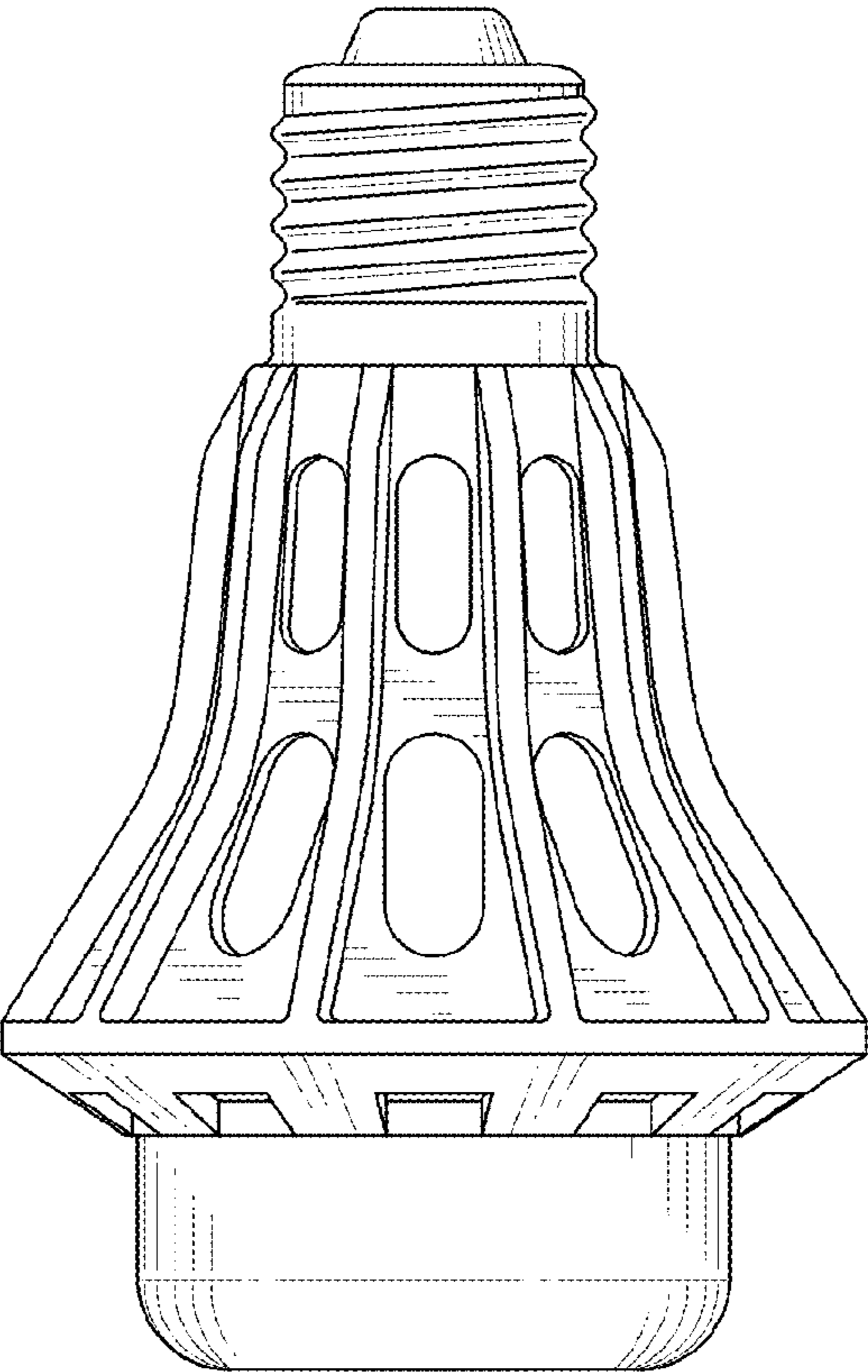


FIG. 3

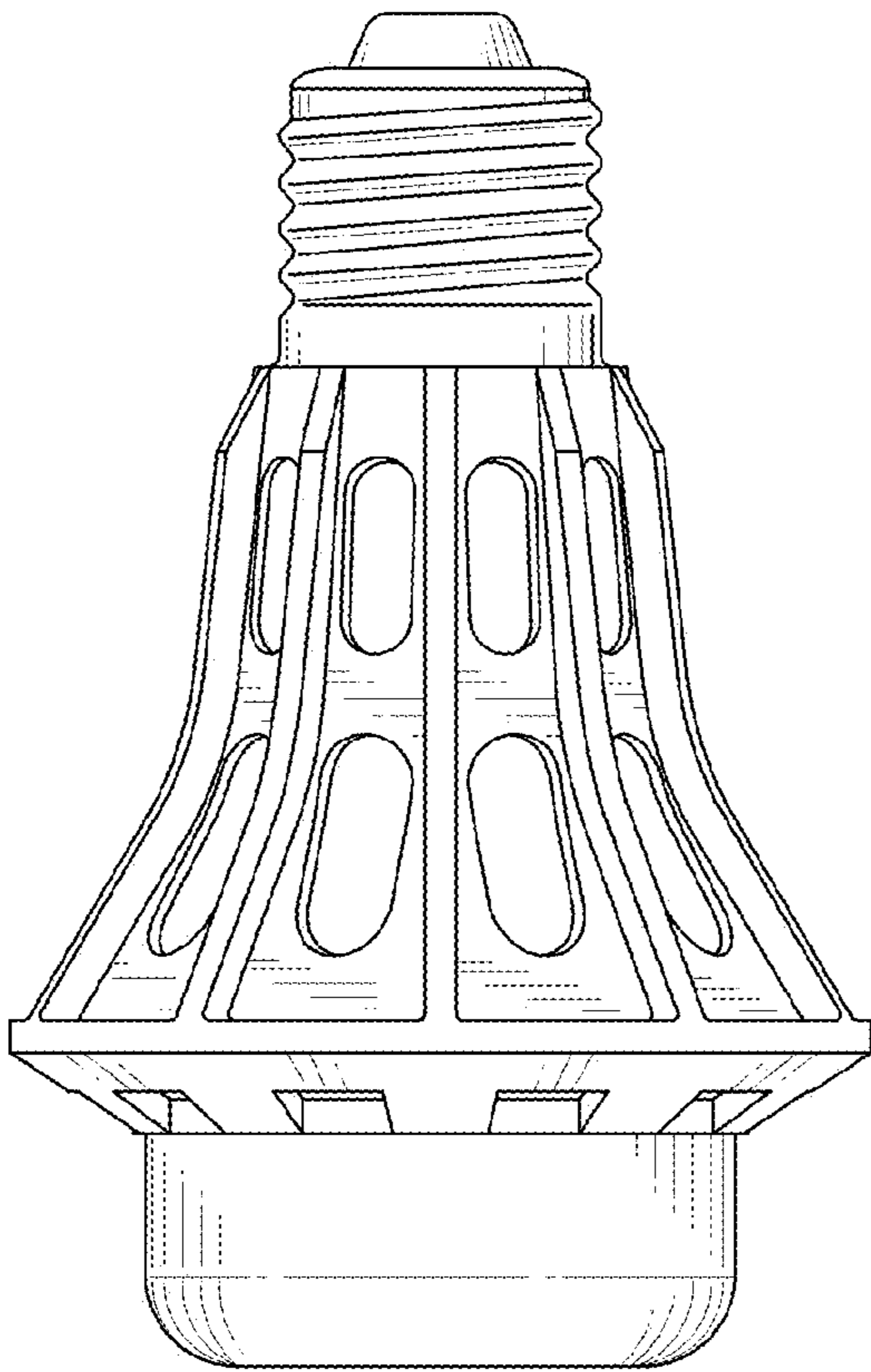


FIG. 4

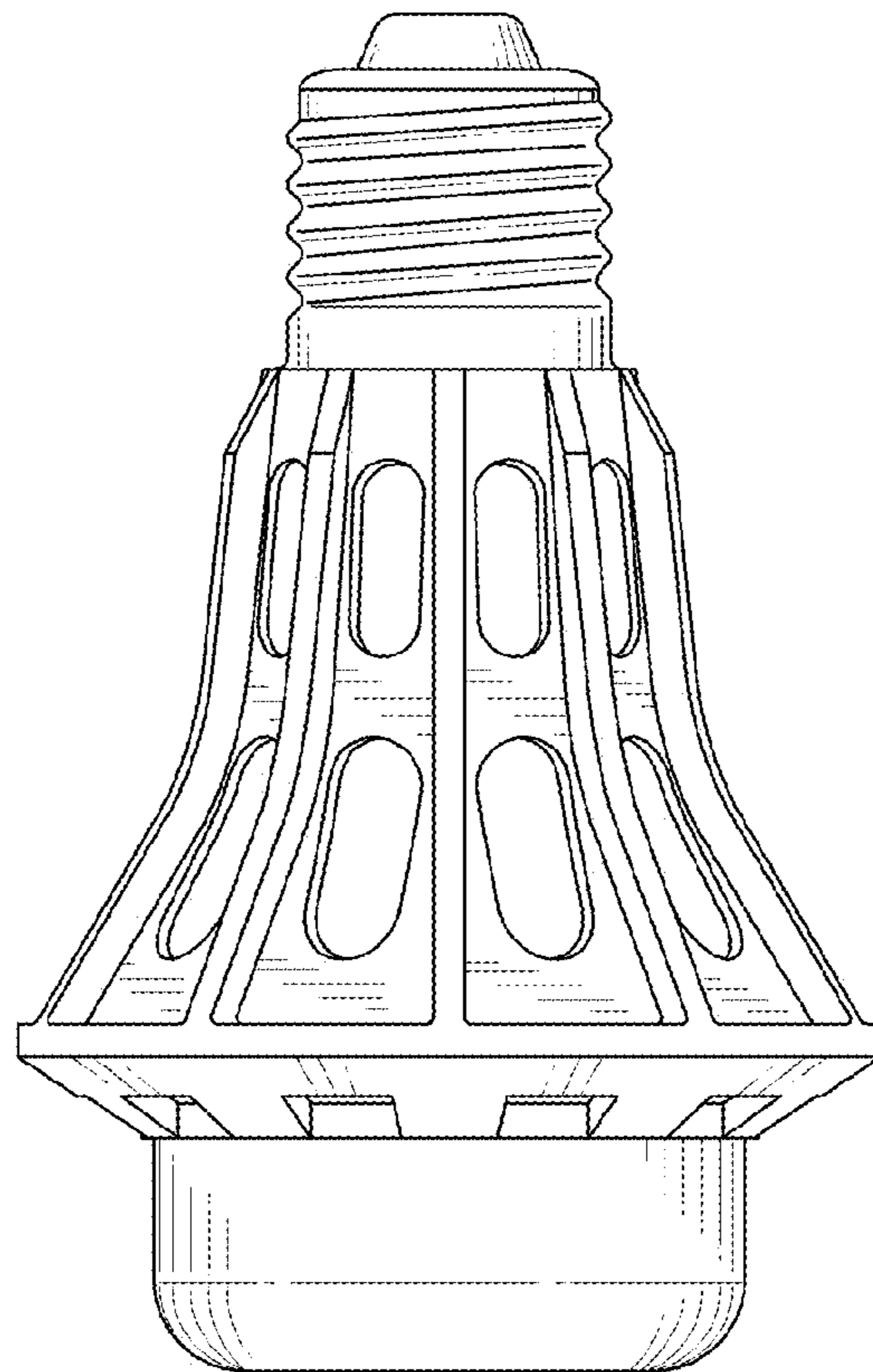


FIG. 5

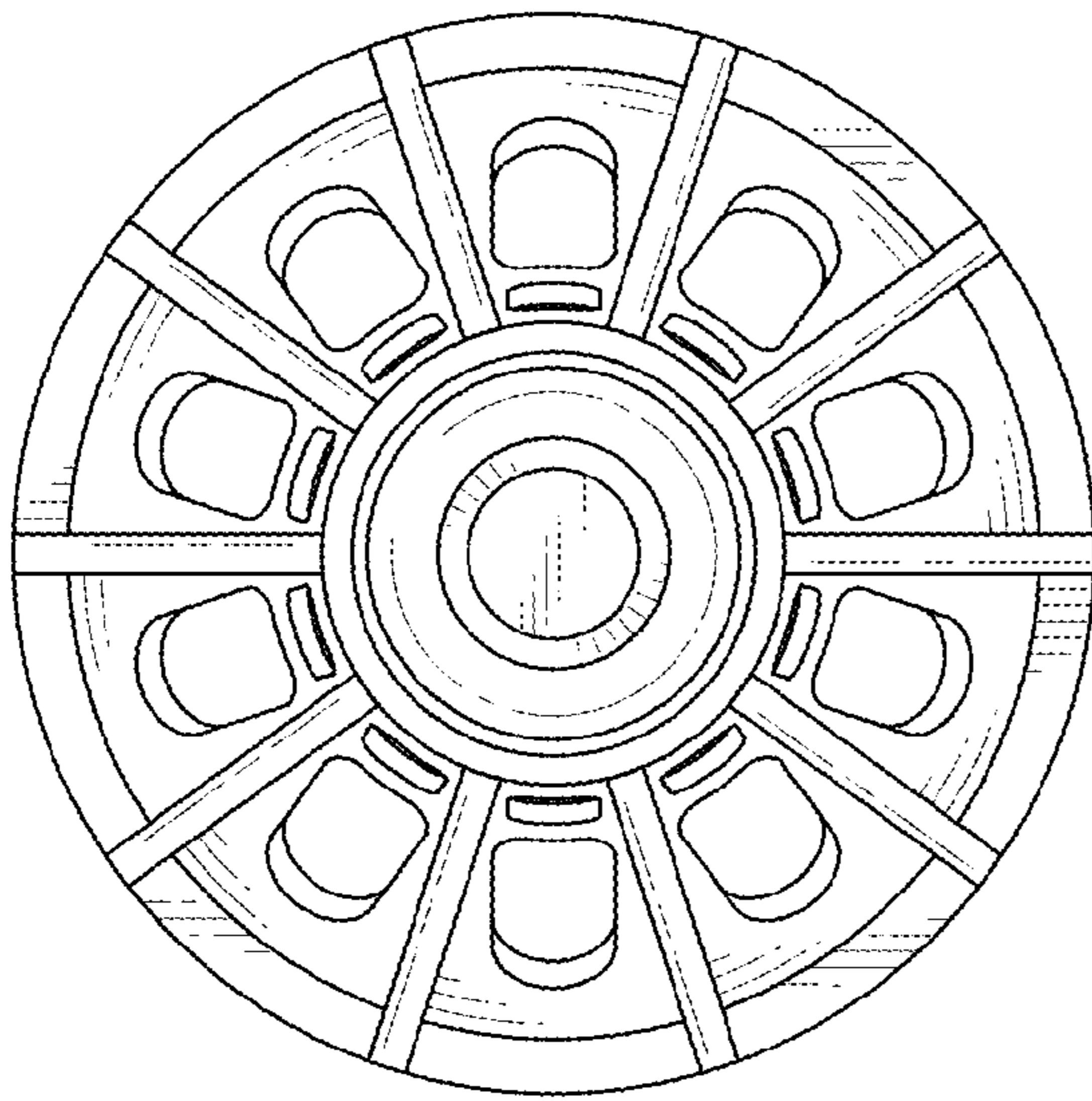


FIG. 6

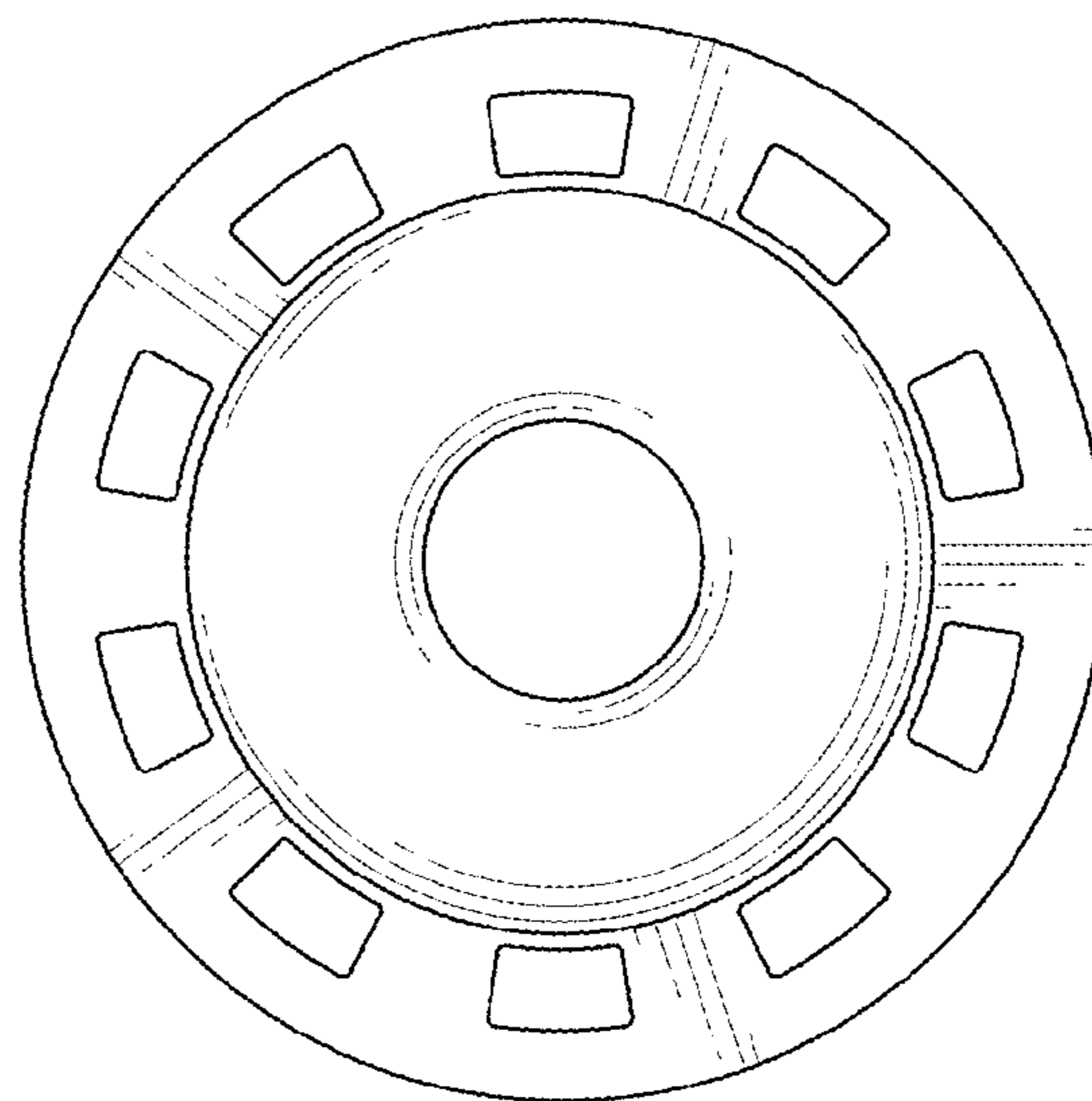


FIG. 7